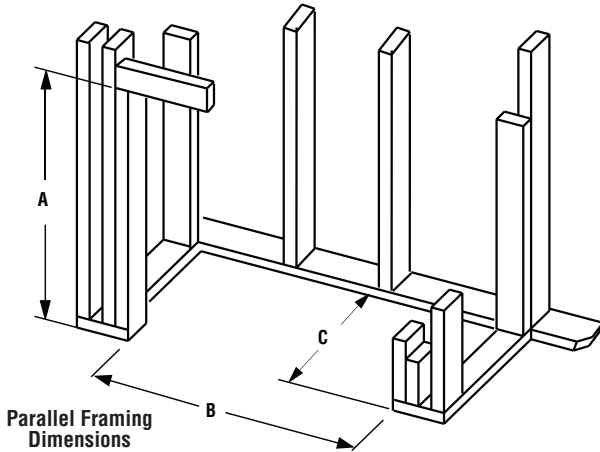


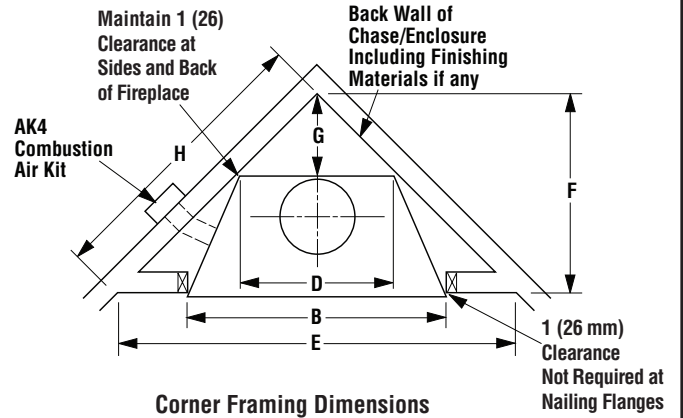
WRT3538, WRT3543, WRT4038 AND WRT4043 SERIES

WOOD-BURNING FIREPLACES

Framing Dimensions

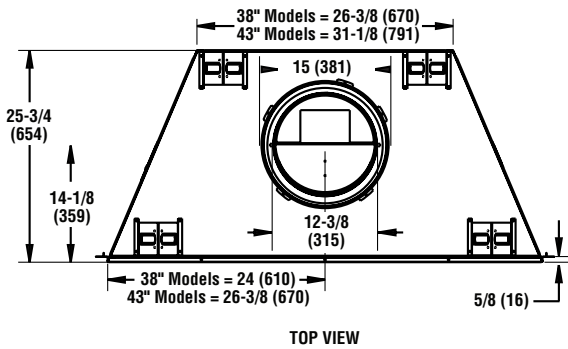


Inches (millimeters)

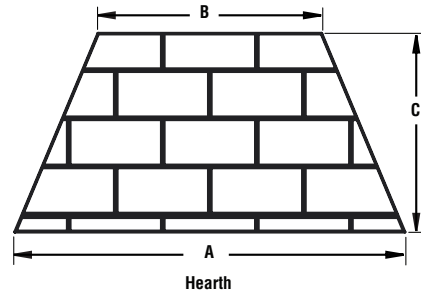


	A	B	C	D	E	F	G	H
38" Models	50 (1270)	49-1/4 (1251)	25-1/2 (648)	(787)	26-1/4 (667)	38-5/8 (981)	13-1/8 (334)	54-5/8 (1388)
43" Models	50 (1270)	54 (1372)	25-1/2 (648)	31 (787)	82 (2083)	41 (1041)	15-1/2 (394)	58 (1473)

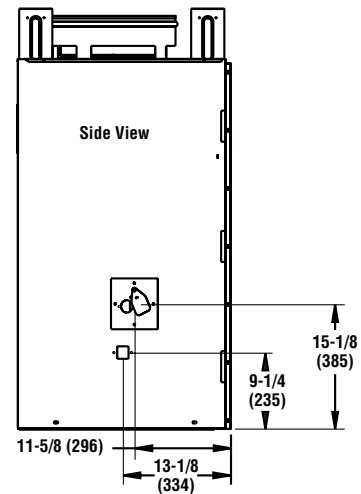
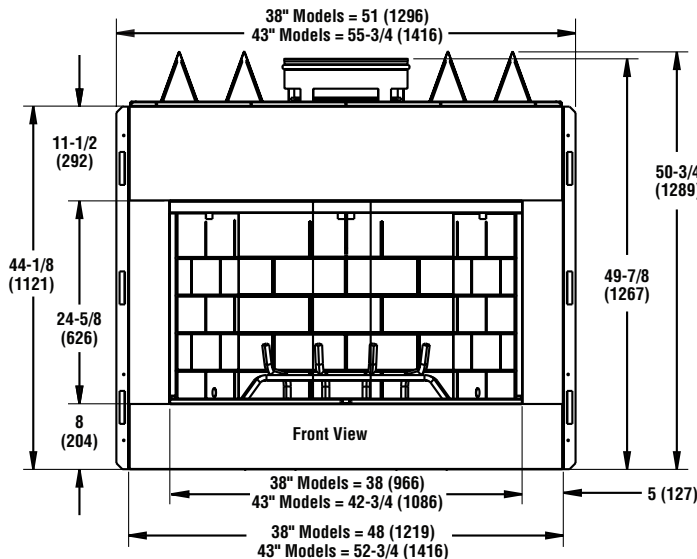
Inches (millimeters)



	A	B	C
WRT3538	37-1/8 (943)	21-1/4 (540)	18-7/8 (480)
WRT3543	41-7/8 (1064)	26 (661)	18-7/8 (480)
WRT4038	38-5/8 (981)	22 (559)	19-1/2 (496)
WRT4043	43-3/8 (1102)	26-3/4 (680)	19-1/2 (496)



Fireplace Dimensions



WRT3538, WRT3543, WRT4038 AND WRT4043 SERIES

Product Information

Product Reference Information			
Cat. No.	Models	Shipping Weight	Shipping Volume
F3412	WRT3538WS	309 lb.	60.28 cu. ft.
F3413	WRT3538WH	309 lb.	60.28 cu. ft.
F3416	WRT3543WS	337 lb.	60.28 cu. ft.
F3417	WRT3543WH	337 lb.	60.28 cu. ft.

Product Reference Information			
Cat. No.	Models	Shipping Weight	Shipping Volume
F3414	WRT4038IS	376 lb.	60.28 cu. ft.
F3415	WRT4038IH	376 lb.	60.28 cu. ft.
F3418	WRT4043IS	406 lb.	60.28 cu. ft.
F3419	WRT4043IH	406 lb.	60.28 cu. ft.

Listing Information



Report No. F17-136

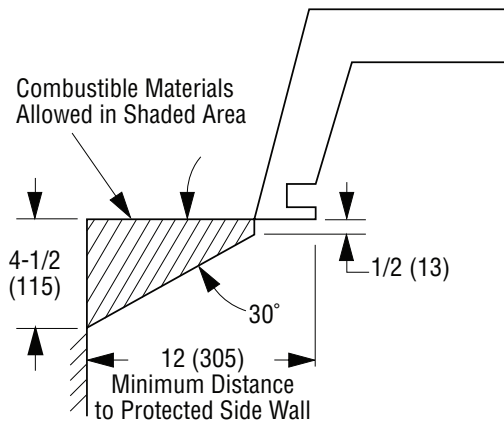
This fireplace has been tested and approved by PFS Corporation under UL127/ULC-S610 standard as a Factory Built Appliance and may be used with gas logs approved to ANSI Z21.60, Z21.84 or Z21.11.2 standards.

Clearances to Combustibles	
Description	Min. Clearance
Back and sides of fireplace	1 (26)*
Ceiling	42 (1067)
Front of fireplace	48 (1220)
Floor	0 (0)**
Perpendicular wall to opening	12 (305)
Top spacers	0 (0)
Chimney outer pipe surface	1 (26)

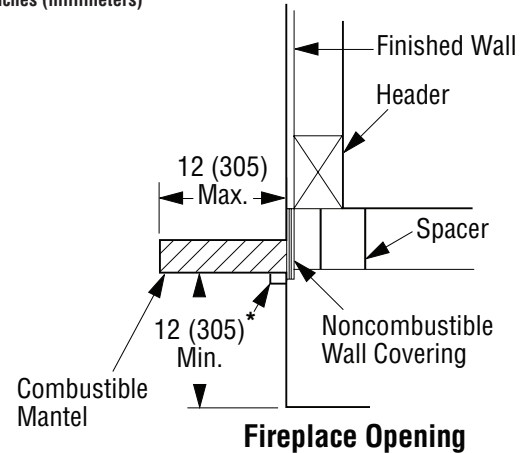
* Not required at nailing flanges

** See step 2 of Framing in the Installation and Operation Manual

Clearances



Inches (millimeters)



Venting

Venting
Uses Standard (12DM) and Hi-Temp (12HT) Wood-Burning Chimney. For Canada Use 12HT Chimney

