

# RANGES

## FEATURES & SPECIFICATIONS

	ELECTRIC RANGES		COMBINATION RANGES			ALL GAS RANGES		ELECTRIC WALL OVENS
	1850	1855	1865	1870	1875	1860	1867	
Range Widths	* Will fit minimum 30 1/4" cabinet opening.							
	* 30 1/8"	44 1/4"	44 1/4"	* 30 1/8"	44 1/4"	* 30 1/8"	44 1/4"	30"
<b>OVENS</b>								
Self-Cleaning Electric Oven (4.3 cu. ft.) Oven Size: 25" W x 16" H x 18 3/4" D	•	•	•	•	•			
Electric Self-Cleaning Convection Oven (4.0 cu. ft.) Oven Size: 25" W x 16" H x 16 5/8" D	optional	optional	optional	optional	optional			5.0 cu. ft
Gas Self-Cleaning Oven with waist high Broiler (4.0 cu. ft.) Oven Size: 25" W x 16" H x 18" D						•	•	
"Stay Hot" Food Warmer		•	•		•		•	
Electronic Oven Control	•	•	•	•	•	•	•	•
Delayed Start Baking	•	•	•	•	•	•	•	•
Dual Element Baking	•	•	•	•	•	•	•	•
Vari. Temp. Broil	•	•	•	•	•	•	•	•
Door Activated Oven Light	•	•	•	•	•	•	•	•
Heavy Duty, Plated Oven Racks	•	•	•	•	•	•	•	•
Porcelain Enamel Broiler Pan	•	•	•	•	•	•	•	
Sabbath Mode								•
<b>RANGETOPS</b>								
Electric High-speed Radiant Elements under glass (ST)	optional	optional						
High-Speed Radiant Elements under glass with Electronic Control (STE)	optional	optional						
Gas: Sealed Surface Burners with cast grates			4	•	•	•	•	
Converts to L.P. (Propane)			•	•	•	•	•	
Gas Top Burners, 8,000* BTU			2	2	3	2	3	
Gas Top Burners, 12,000* BTU			1	1	2	1	2	
Superburner, 15,000* BTU			1	1	1	1	1	
<i>*Ratings for liquid propane are approximately 10% lower</i>								
Ultra Temp™ Electric Cast Elements	optional	optional						
Electric High Speed Radiant Elements under glass			optional					
Porcelain Enamel Work Surface (replaces two burners/elements)			optional				optional	
Electronic Spark with Re-ignition			•	•	•	•	•	
Easy Clean Porcelain Top or Top Frame	•	•	•	•	•	•	•	
Nickel Trimmed Range Top	•	•	•	•	•	•	•	
<b>UPPER CABINET</b>								
350 CFM Exhaust Fan standard (recirculating and outside vent)	•	•	•	•	•	•	•	
485 CFM Wall Mounted Exhaust Fan (outside mount, outside vent)	optional	optional	optional	optional	optional	optional	optional	
636 CFM In-line Exhaust blower (outside vent only)	optional	optional	optional	optional	optional	optional	optional	
Cooking Surface Light, Night Light	•	•	•	•	•	•	•	
"Feather Touch" Tempered Glass Oven Control Panel	•	•	•	•	•	•	•	
<b>POWER RATING</b>								
Power Source (208 to 250V) appliance rating	240V-35A	240V-50A	240V-30A	240V-30A	240V-30A	120V-5A	120V-6A	240V-30A
Power Ratings NG (BTU's)			43,000	43,000	63,000	59,000	79,000	
Power Ratings LP (BTU's)			38,700	38,700	56,700	53,100	71,100	
Power ratings/oven burner NG (BTU's)						16,000	16,000	
Shipping Weight	390 lbs.	425 lbs.	435 lbs.	400 lbs.	440 lbs.	410 lbs.	450 lbs.	200 lbs.

## NATURAL GAS OR PROPANE?

Ranges are built to accommodate natural gas unless propane (LP) has been specified on your order. Conversion parts are available and are easy to install. (See product manual for instructions.)

## RANGE DIMENSIONS

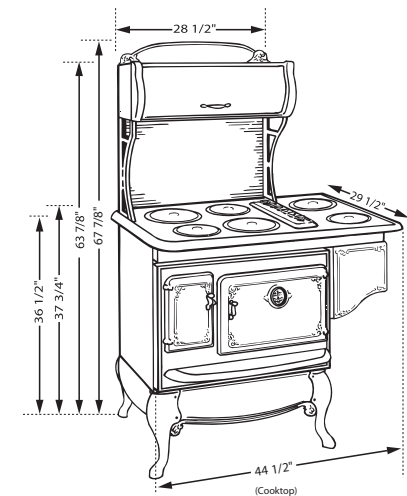
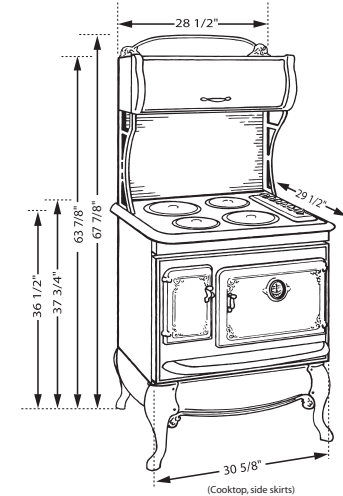
*(Subject to change. Consult the product manual or contact Elmira Stove Works for complete and current dimensions.)*

Four-Burner Models: Our standard leg four-burner models will fit into a 30-1/4" countertop opening\* and 30-3/4" lower cabinet opening\*\*. Short leg models, or countertops higher than 36", require a minimum 31" countertop opening and 30-3/4" lower cabinet opening.

Six-Burner Models: Our standard leg six-burner models require a minimum 44-1/2" countertop opening\*. Short leg models, or countertops higher than 36", require a minimum 45-1/2" countertop opening.

\* Recommended countertop overhang is 1".

\*\* Required lower cabinet opening on 4-burner standard leg models can be reduced to 30-1/4" by removing side skirts.



Vertical dimensions 2" less on short leg models.