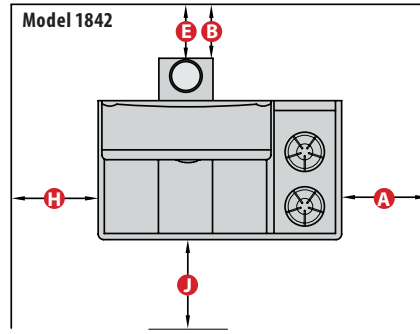
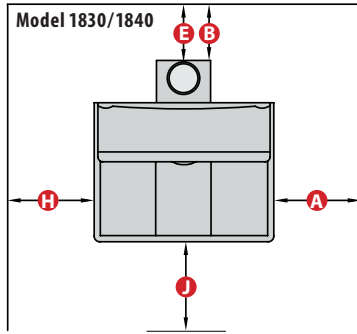
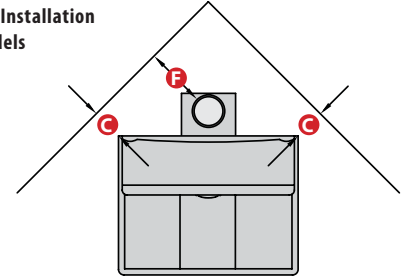


## FIREVIEW CLEARANCES AND SPECIFICATIONS



**Corner Installation  
All Models**



Model 1830/1840	A	B	C	E	F	G	H	J	Measure
<b>No Heat Shield</b>	10	18	13	18	18	60	18	48	inches
Using Single Wall Pipe	254	457	330	457	457	1524	457	1219	mm.
<b>With Heat Shield</b>	10	3	10	6	6	60	18	48	inches
Using Double Wall Pipe	254	76	254	152	152	1524	457	1219	mm.

Model 1842	A	B	C	E	F	G	H	J	Measure
<b>No Heat Shield</b>	3	18	13	18	18	60	18	48	inches
Using Single Wall Pipe	76	457	330	457	457	1524	457	1219	mm.
<b>With Heat Shield</b>	3	3	10	6	6	60	18	48	inches
Using Double Wall Pipe	76	76	254	152	152	1524	457	1219	mm.

**G = vertical distance from cooking surface to combustibles above the stove.**

**Note:** A certified double-wall stove pipe must be used to maintain 6" clearance (dimension E) from pipe to combustibles. The approved stove pipe must extend from the chimney to the stove.

**Note:** These are factory-recommended clearances. Local, state or provincial building and fire codes take precedence and must be observed. Clearances are subject to change without notice.

When heat shield is installed, **dimensions B and F** are taken from heat shield. ("Heat shield" refers to complete stove/-pipe shield kit.) **Dimension E** is taken from outside edge of pipe.

	1830	1840	1842-0	1842-G
<b>OVERALL DIMENSIONS</b>				
Width	35 3/4"	35 3/4"	49 1/2"	49 1/2"
Height	35"	67 1/4"	67 1/4"	67 1/4"
Cooking Surface Height	35"	35"	35"	35"
Depth including Flue Boot	36 5/8"	36 5/8"	36 5/8"	36 5/8"
Depth without Flue Boot or Doors (door clearance for delivery)	28 1/2"	28 1/2"	28 1/2"	28 1/2"
Assembled Weight / Shipping Weight (with skid)	375 / 394 lb.	428 / 454 lb.	450 / 485 lb.	465 / 500 lb.
Carry Weight (no doors, plates, brick, grate, cabinet, etc.)	145 lb.	145 lb.	160 lb.	165 lb.
<b>OVEN DIMENSIONS</b>				
Capacity			3.0 cu. ft.	
Width			18 1/4"	
Height			11 1/2"	
Depth			24 3/8"	
<b>FIREBOX</b>				
Flue Size			6"	
Capacity			1.6 cu. ft.	
Width			9 1/4"	
Height			13 1/2"	
Depth			22"	
Ideal Log Length			18"	
Secondary Air			YES	
Heat Output			30,000 to 60,000 BTU / Hr.	
<b>OTHER FEATURES AND OPTIONS</b>				
Sealed Gas Burners, 11,000 BTU Liquid Propane	N/A	N/A	N/A	2
Auto-Ignition for Gas Burners (9V Battery Powered)	N/A	N/A	N/A	YES
Overhead Warmer	N/A	Standard	Standard	Standard
Side Warmer	N/A	N/A	Standard	Standard
Fireview Door	Standard	Standard	Standard	Standard
Colors Available		Black, Black / Bisque Combination		
Nickel Door Frames	Standard	Standard	Standard	Standard
Nickel Victorian Trivet	Optional	Optional	Optional	Optional
Nickel Front Legs	Optional	Optional	Optional	Optional
Nickel Front Skirt	Optional	Optional	Optional	Optional
Nickel Side Skirts	Optional	Optional	Optional	Optional
Water Jacket	Optional	Optional	Optional	Optional
Approximate Area Heated		800-1800 sq. ft.*		
Heat Shield Kit	Optional	Optional	Optional	Optional

\*figures may vary with individual conditions