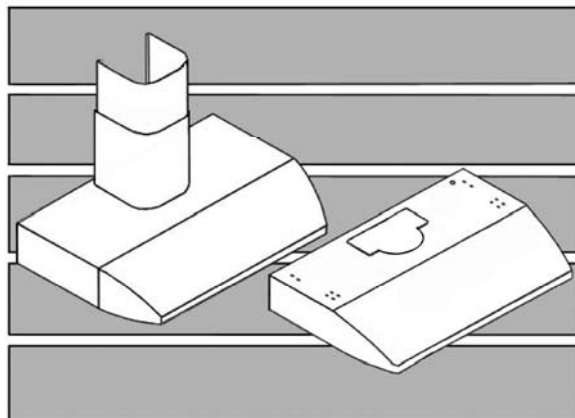


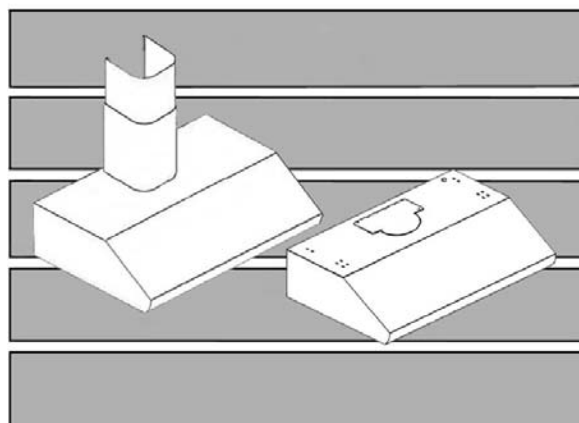
# KOBE® KOBE Brand Range Hood

Model No.

CH2230SQ-1 (30") / CH2236SQ-1 (36")  
CH2230SQB-1 (30") / CH2236SQB-1 (36")



CH2730SQB-1 (30") / CH2736SQB-1 (36")  
CH2742SQB-1 (42") / CH2748SQB-1 (48")



INSTALLATION INSTRUCTIONS  
AND OPERATION MANUAL

# IMPORTANT READ THIS FIRST

## **READ BEFORE INSTALLATION**

1. Carefully check all contents of packages;
2. Thoroughly inspect the unit for any cosmetic damages or defects;
3. Test the unit before installation;
4. Have a certified contractor/electrician do the installation.

## **IF THERE IS ANY PROBLEM:**

1. **DO NOT INSTALL THE UNIT AND KEEP ALL ORIGINAL PACKAGING MATERIAL.**
2. Have your original invoice as proof of purchase and product serial number ready.
3. Call 1-877-BUY-KOBE (289-5623); or e-mail to [info@koberangehoods.com](mailto:info@koberangehoods.com) to report the problem.

## **NO RETURN, NO REFUND, NO EXCHANGE IF:**

1. PRODUCT HAS BEEN INSTALLED
2. KNOCK-OUT HOLES HAVE BEEN PUNCTURED
3. MISSING ORIGINAL PACKAGING MATERIAL AND/OR PARTS

# [ENGLISH]

- READ AND SAVE THESE INSTRUCTIONS -

## CONTENTS

IMPORTANT SAFETY INSTRUCTIONS .....	1
COMPONENTS OF PACKAGE.....	3
INSTALLATION.....	6
OPERATING INSTRUCTIONS.....	15
MAINTENANCE.....	17
SPECIFICATIONS .....	18
MEASUREMENTS & DIAGRAMS.....	20
PARTS LIST.....	23
CIRCUIT DIAGRAM.....	31
TROUBLE SHOOTING .....	33
WARRANTY .....	34
PRODUCT REGISTRATION .....	36

- READ ALL INSTRUCTIONS CAREFULLY BEFORE STARTING -

ALL WIRING MUST BE DONE BY A PROFESSIONAL AND IN ACCORDANCE WITH NATIONAL AND LOCAL ELECTRICAL CODES



## IMPORTANT SAFETY INSTRUCTIONS

- PLEASE READ THIS SECTION CAREFULLY BEFORE INSTALLATION -

**⚠WARNING:** TO REDUCE THE RISK OF FIRE, ELECTRIC SHOCK OR PERSONAL INJURY, OBSERVE THE FOLLOWING:

- 1) Installation and electrical wiring must be done by qualified professionals and in accordance with all applicable codes and standards, including fire-rated construction.
- 2) When cutting or drilling into wall or ceiling, be careful not to damage electrical wiring or other hidden utilities.
- 3) Ducted fans must be vented to the outside.
  - a) Before servicing or cleaning unit, open the light panel and SWITCH POWER OFF AT SERVICE PANEL.
  - b) Clean all grease laden surfaces frequently. To reduce the risk of fire and to disperse air properly, make sure to vent air outside. DO NOT vent exhaust air into wall spaces, attics, crawl spaces or garages.

NOTE - This warranty is void without an authorized agent's receipt or if unit is damaged due to misuse, poor installation, improper use, mistreatment, negligence or any other circumstances beyond the control of KOBE RANGE HOODS authorized agents. Any repair carried out without the supervision of KOBE RANGE HOODS authorized agents will automatically void the warranty.

- KOBE RANGE HOODS will not be held responsible for any damages to personal property or real estate or any bodily injuries whether caused directly or indirectly by the range hood.

**⚠WARNING:** TO REDUCE THE RISK OF PERSONAL INJURY IN THE EVENT OF A RANGE TOP GREASE FIRE:

1. Keep all fan, baffle/spacer/filter/oil tunnel/oil container and grease-laden surfaces clean. Grease should not be allowed to accumulate on fan, baffle/spacer/filter/oil tunnel/oil container.
2. Always turn hood ON when cooking.
3. Use high settings on cooking range ONLY when necessary.
4. Do not leave cooking range unattended when cooking.
5. Always use cookware and utensils appropriate for the type and amount of food prepared.
6. Use this unit only in the manner intended by the manufacturer.
7. Before servicing, switch power off at service panel and lock service panel (if possible) to prevent power from switching on accidentally.
8. Clean ventilating fan frequently.

### **What to Do In The Event Of a Range Top Grease Fire**

- SMOTHER FLAMES with a tight fitting lid, cookie sheet, or metal tray, and then turn off the burner. KEEP FLAMMABLE OR COMBUSTIBLE MATERIAL AWAY FROM FLAMES. If the flames do not go out immediately, EVACUATE THE AREA AND CALL THE FIRE DEPARTMENT or 911.
- NEVER PICK UP A BURNING PAN – You May Get Burned.
- DO NOT USE WATER, including wet dishcloths or towels – a steam blast will result.
- Use an extinguisher ONLY if:
  - a) You have a Class A, B, C extinguisher and know how to operate it.
  - b) The fire is small and contained in the area where it started.
  - c) The fire department has been called.
  - d) You can fight the fire with your back to an exit.

### **What to Do If You Smell Gas**

- Extinguish any open flame.
- Do not try to turn on the lights or any type of appliance.
- Open all doors and windows to disperse the gas. If you still smell gas, call the Gas Company and Fire Department right away.

## **CAUTION**

- 1) For general ventilation use only. Do not use to exhaust hazardous or explosive materials and vapors.
- 2) To reduce the risk of fire, use only metal ductwork. Sufficient air is needed for proper combustion and exhausting of gases through the flue (chimney) to prevent back drafting.
- 3) Follow the heating equipment manufacturer's guideline and safety standards such as those published by the National Fire Protection Association (NFPA), and the American Society for Heating, Refrigeration and Air Conditioning Engineers (ASHRAE), and code authorities.
- 4) Activating any switch on may cause ignition or an explosion.
- 5) Due to the size and weight of this hood, installation by 2 persons is recommended.

### **WARNING**



**ELECTRICAL SHOCK HAZARD – Can result in serious injury or death. Disconnect appliance from electric power before servicing. If equipped, the fluorescent light bulb contains small amounts of mercury, which must be recycled or disposed of according to Local, State, and Federal Codes.**

# COMPONENTS OF PACKAGE

(Must keep all material for returns or refunds)

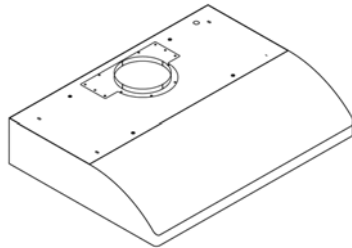
For Models with Oil Containers:

CH2230SQ-1 (30") / CH2236SQ-1 (36")

## Range Hood Box

- {A} KOBE Range Hood
- {B} Warranty Registration Card
- {C} Instructions Manual (CD)
- {D} 3-1/4" x 10" Exhaust
- {E} Top Vent Cover
- {F} 6" Round Plastic Collar
- {G} Round Oil Container x 2
- {H} Oval Oil Container x 2

{A}



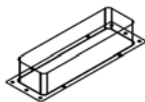
{B}



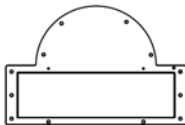
{C}



{D}



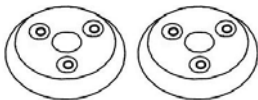
{E}



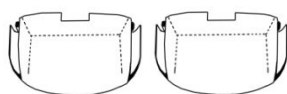
{F}



{G}



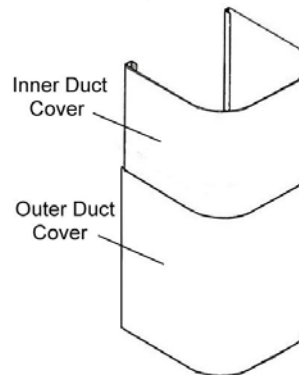
{H}



## Duct Cover Box (Sold Separately)

- {I} Adjustable Duct Cover
- {J} Screws Package
- {K} Hood-Mounting Bracket
- {L} Duct Cover Support x 2
- {M} Duct Cover-Mounting Bracket

{I}

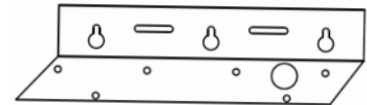


{J}



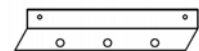
3/16" x 3/8" (6 PCS)

{K}



4 x 6mm (4 PCS)

{L}



2 PCS

{M}



◆ FOR MORE INFORMATION, PLEASE VISIT OUR WEBSITE [www.KOBERangeHoods.com](http://www.KOBERangeHoods.com) OR CONTACT KOBE RANGE HOODS AT (626) 775-8880.

(Must keep all material for returns or refunds)

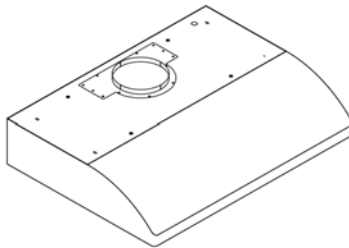
For models with Baffle Filters:

CH2230SQB-1 (30") / CH2236SQB-1 (36")

**Range Hood Box**

- {A} KOBE Range Hood
- {B} Warranty Registration Card
- {C} Instructions Manual (CD)
- {D} 3-1/4" x 10" Exhaust
- {E} Top Vent Cover
- {F} 6" Round Plastic Collar
- {G} Baffle Filters x 2 (30" hood)  
x 3 (36" hood)
- {H} Stainless Steel Spacer x 2 (30" hood)

{A}



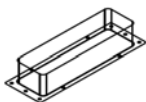
{B}



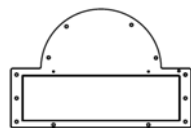
{C}



{D}



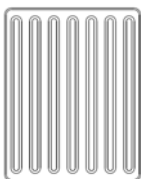
{E}



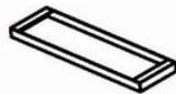
{F}



{G}



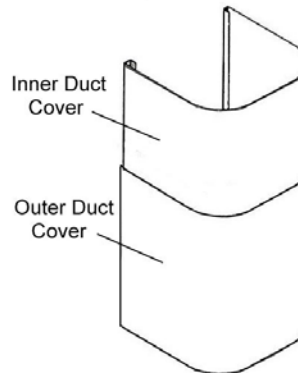
{H}



**Duct Cover Box (Sold Separately)**

- {I} Adjustable Duct Cover
- {J} Screws Package
- {K} Hood-Mounting Bracket
- {L} Duct Cover Support x 2
- {M} Duct Cover-Mounting Bracket

{I}

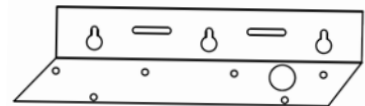


{J}



3/16" x 3/8" (6 PCS)

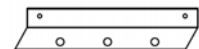
{K}



{L}



4 x 6mm (4 PCS)



2 PCS

{M}



◆ FOR MORE INFORMATION, PLEASE VISIT OUR WEBSITE [www.KOBERangeHoods.com](http://www.KOBERangeHoods.com) OR CONTACT KOBE RANGE HOODS AT (626) 775-8880.

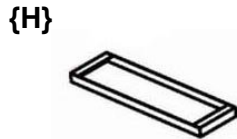
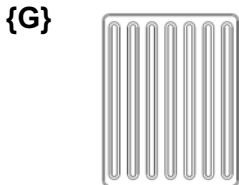
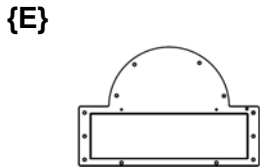
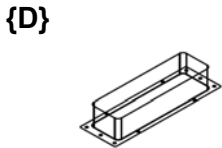
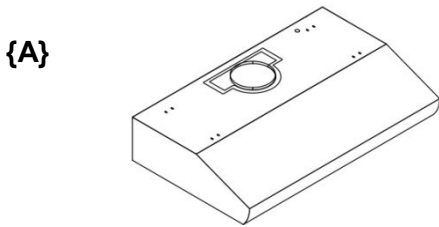
(Must keep all material for returns or refunds)

For models with Baffle Filters:

CH2730SQB-1 (30") / CH2736SQB-1 (36") / CH2742SQB-1 (42") / CH2748SQB-1 (48")

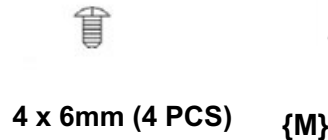
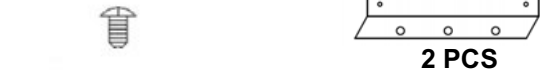
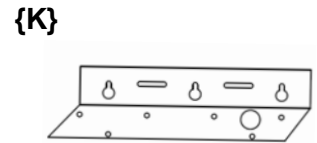
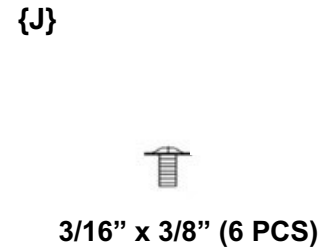
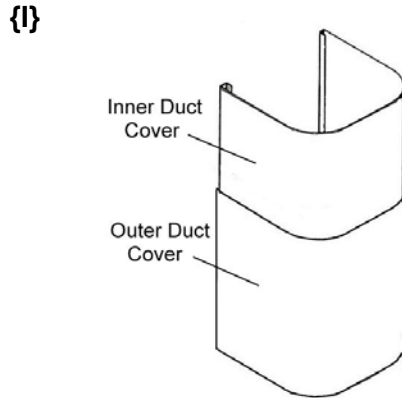
**Range Hood Box**

- {A} KOBE Range Hood
- {B} Warranty Registration Card
- {C} Instructions Manual (CD)
- {D} 3-1/4" x 10" Exhaust
- {E} Top Vent Cover
- {F} 6" Round Plastic Collar
- {G} Baffle Filters x 2 (30" hood)  
x 3 (36", 42" hood)  
x 4 (48" hood)
- {H} Stainless Steel Spacer x 2 (30", 42" hood)



**Duct Cover Box (Sold Separately)**

- {I} Adjustable Duct Cover
- {J} Screws Package
- {K} Hood-Mounting Bracket
- {L} Duct Cover Support x 2
- {M} Duct Cover-Mounting Bracket



◆ FOR MORE INFORMATION, PLEASE VISIT OUR WEBSITE [www.KOBERangeHoods.com](http://www.KOBERangeHoods.com) OR CONTACT KOBE RANGE HOODS AT (626) 775-8880.



# INSTALLATION

PLEASE READ ENTIRE INSTRUCTIONS BEFORE PROCEEDING

## Calculation before Installation

To calculate installation, please refer to TABLE 1. (All calculation in inches.)

### - FOR UNDER THE CABINET -

<p><b>TABLE 1</b></p> <p>A = Height of Floor to Ceiling          B = Height of Floor to Counter Top          (Standard: 36")  <b>C = Preferred Height of Counter Top          to Hood Bottom (Minimum          26" to 30")</b>          D = Height of Hood          E = Height of the Cabinet</p>	
---	--

### - FOR WALL MOUNT (WITH OPTIONAL DUCT COVER) -

<p><b>TABLE 2</b></p> <p>A = Height of Floor to Ceiling          B = Height of Floor to Counter Top          (Standard: 36")  <b>C = Preferred Height of Counter Top          to Hood Bottom (Minimum          26" to 30")</b>          D = Height of Hood          E = Height of Duct Cover [F – D]          F = Height of the Hood Installation          [A – (B+C)]</p>	
--	--

**⚠ SAFETY WARNING**

**HOOD MAY HAVE VERY SHARP EDGES; PLEASE WEAR PROTECTIVE GLOVES IF REMOVING ANY PARTS FOR INSTALLING, CLEANING OR SERVICING.**

**NOTE: BE CAREFUL WHEN USING ELECTRICAL SCREWDRIVER, DAMAGE TO THE HOOD MAY OCCUR.**

Installation Contents

UNDER THE CABINET WALL MOUNT	8 11
---------------------------------	---------

## UNDER CABINET INSTALLATION

### Preparation before Installation

NOTE: TO AVOID DAMAGE TO YOUR HOOD, PREVENT DEBRIS FROM ENTERING THE VENT OPENING.

- Decide the location of the venting pipe from the hood to the outside. (Figure 1)
- A straight, short vent run will allow the hood to perform more efficiently.
- Try to avoid as many transitions, elbows, and long run as possible. This may reduce the performance of the hood.
- Temporarily wire the hood to test for proper operation before installing. If the hood does not operate, check the circuit breaker or house fuse. If the hood is still not working, disconnect power supply and check the continuity of all wire connections.
- Peel protective film off the hood (if any).
- Use duct tape to seal joints between pipe sections.
- For installing under the cabinet with recessed bottom, attach 4-inch wide wood filler strips (not included) on each side. (Figure 2)
- Using reference on Page 20-21 to measure and create access opening for electrical wires and exhaust under the cabinet.

### Vent option installation

**⚠ CAUTION: USE HAND TOOLS ONLY. DO NOT OVER TIGHTEN SCREWS. IT MAY CAUSE DAMAGE TO THE HOOD.**

1. Choose the require vent option. Some installation screws are already pre-attached to hood.
2. For 6" Round vent installation only:
  - The 6" exhaust is already attached. (Figure 3)
  - Align and secure the 6" Round Plastic Collar {F} to two screws on hood.
3. For Top 3-1/4" x 10" vent installation only:
  - Remove attached 6" exhaust and discard. (Figure 3) Keep 13 screws to install 3-1/4" x 10" exhaust & vent cover.
  - Align and secure Top Vent Cover {E} and 3-1/4" x 10" Exhaust {D} using 14 screws (13 screws taken from 6" exhaust. (Figure 4)
4. For Rear 3-1/4" x 10" vent installation only:
  - Remove attached 6" exhaust and discard. (Figure 3) Keep 13 screws to install vent covers.
  - Remove duct knockout from back of the hood and discard. (Figure 5) Unscrew 3-1/4" x 10" Vent Cover from rear exhaust (located inside hood); keep screws to install 3-1/4" x 10" exhaust.

Figure 1

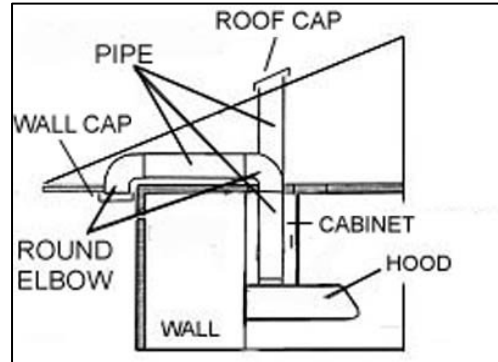


Figure 2

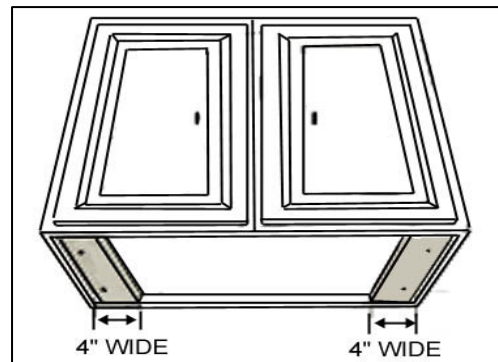


Figure 3

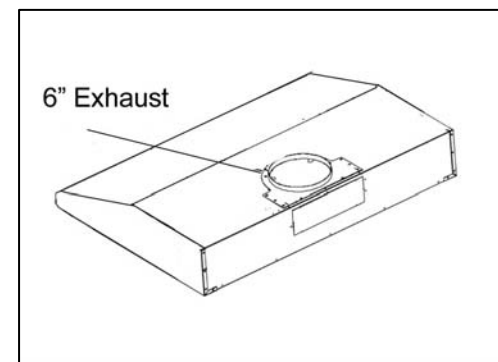
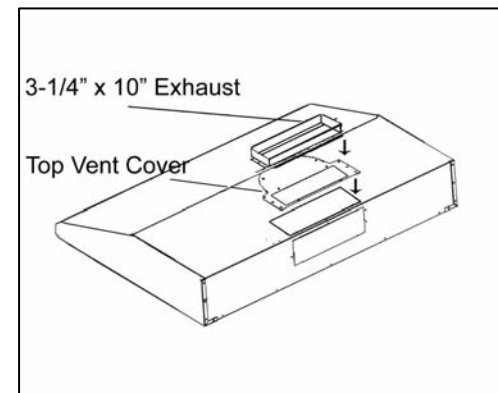


Figure 4



- Align and secure Top Vent Cover {E} and 3-1/4" x 10" Vent Cover (removed from rear exhaust) using 14 screws (13 screws taken from 6" exhaust). (Figure 5)
- Attach the 3-1/4" x 10" Exhaust {D} to rear exhaust (located inside hood) using 10 screws taken from rear vent cover. (Figure 6)

### Hood Installation

**⚠ CAUTION:** If moving the cooking range is necessary to install the hood, turn off the power in an electric range at the main electrical box. **SHUT OFF THE GAS BEFORE MOVING A GAS RANGE.** And use a protective covering to protect cooktop and/or countertop from damage.

5. Remove the bottom casing or baffle filters/stainless steel spacers if necessary; arrange the electrical wires to run through the 1" diameter hole on the top or the rear of the hood.
6. Using references on Table 1 and measurements on page 20-21, center the hood in place beneath the cabinet and flush with the front of the cabinet.
7. Draw electrical wires through cabinet access opening.
8. Use electrical drill to remove the knockout holes on top of the range hood.
9. Place screw (not provided) into the exact center of each knockout hole. Make sure all screws are in place before tightening screws.

**⚠ CAUTION:** MAKE SURE THE HOOD IS SECURE BEFORE RELEASING.

### Wiring to Power Supply

**⚠ CAUTION:** If moving the cooking range is necessary to install the hood, turn off the power in an electric range at the main electrical box. **SHUT OFF THE GAS BEFORE MOVING A GAS RANGE. RISK OF ELECTRICAL SHOCK.**

**⚠ THIS RANGE HOOD MUST BE PROPERLY GROUNDED. MAKE SURE THIS IS DONE BY QUALIFIED ELECTRICIAN IN ACCORDANCE WITH ALL APPLICABLE NATIONAL AND LOCAL ELECTRICAL CODES. BEFORE CONNECTING WIRES, SWITCH POWER OFF AT SERVICE PANEL AND LOCK SERVICE PANEL TO PREVENT POWER FROM BEING SWITCHED ON ACCIDENTALLY.**

- If hood is operating normally, connect three wires (black, white and green) to house wires and cap with wire connectors.
- Store wires in the wiring box.

Figure 5

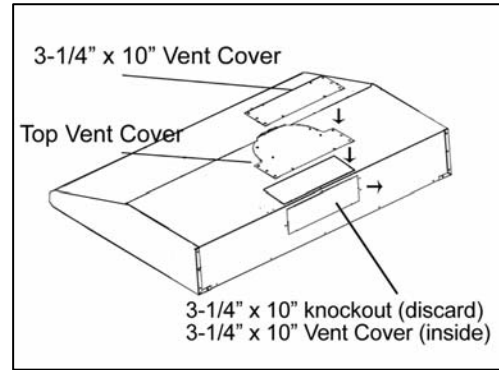
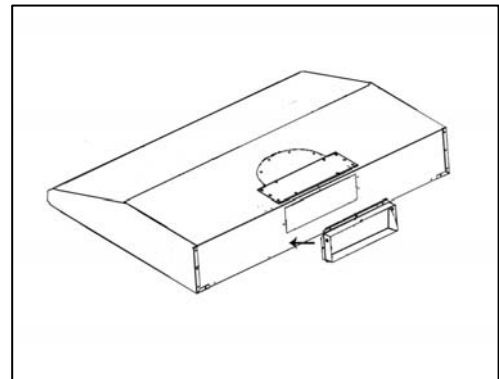


Figure 6



## Ductwork Installation

10. Use steel pipe to connect the exhaust on the hood to the ductwork. Use duct tape to make all joints secure and air tight.

## Install Accessories (For Baffle Filter models)

11. Place baffle filters underneath the hood. (Figure 7)

## Install Accessories (For Oil Container models)

12. Place the oil container (round) into keyhole under each safety screen. Turn clock-wise until firmly in place. (Figure 8)
13. Slide oil container (oval) into plastic slot behind each safety screen as shown in Figure 9.

## Final Installation

14. Turn power ON in control panel. Check all lights and fan operation.
15. Make sure to leave this manual for the homeowner.

Figure 7

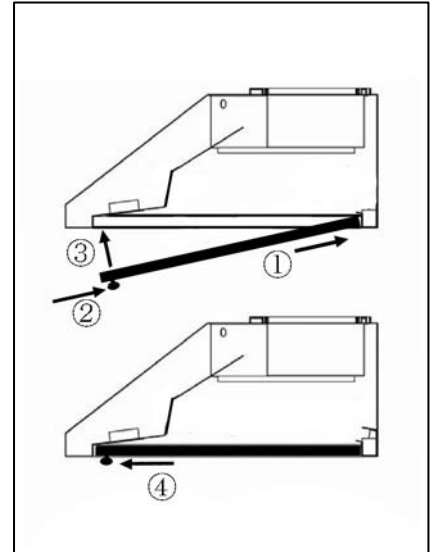


Figure 8



Figure 9



## WALL MOUNT INSTALLATION

\*\*\*This installation requires purchase of duct cover Model No. CH1120DC-1.

### Preparation before Installation

NOTE: TO AVOID DAMAGE TO YOUR HOOD, PREVENT DEBRIS FROM ENTERING THE VENT OPENING.

- Decide the location of the venting pipe from the hood to the outside. Refer to Figure 10.
- A straight, short venting run will allow the hood to perform more efficiently.
- Try to avoid as many transitions, elbows, and long run as possible. This may reduce the performance of the hood.
- Temporarily wire the hood to test for proper operation before installing. If the hood does not operate, check the circuit breaker or house fuse. If the hood is still not working, disconnect power supply and check the continuity of all wire connections.
- Peel protective film off the hood (if any).
- Use duct tape to seal the joints between pipe sections.
- If necessary, prepare back wall frame with cross framing lumber for secure installation. Using references on Table 2 and measurements on page 20-22, decide the level of the lumber. Refer to Figure 11.

### Vent option installation

**CAUTION: USE HAND TOOLS ONLY. DO NOT OVER TIGHTEN SCREWS. IT MAY CAUSE DAMAGE TO THE HOOD.**

1. Choose the require vent option. Some installation screws are already pre-attached to hood. Refer to Figure 16. Please use Screws Package {J} with pre-attached screws for wall mount installation.
2. For 6" Round vent installation only:
  - The 6" exhaust is already attached. (Figure 12) Align and secure the 6" Round Plastic Collar {F} to two screws on hood. Follow instructions in Step 5 to attach Hood Mounting Bracket {K} and two Duct Cover Support {L} (Figure 16)
3. For Top 3-1/4" x 10" vent installation only:
  - Remove attached 6" exhaust and discard. (Figure 12) Keep 13 screws to install 3-14" x 10" exhaust & vent cover.
  - Align Top Vent Cover {E} and 3-1/4" x 10" Exhaust {D}. (Figure 13) Skip to Step 5 to attach Hood Mounting Bracket {K} and two Duct Cover Support {L} using 14 screws (13 screws taken from 6" exhaust. (Figure 16)

Figure 10

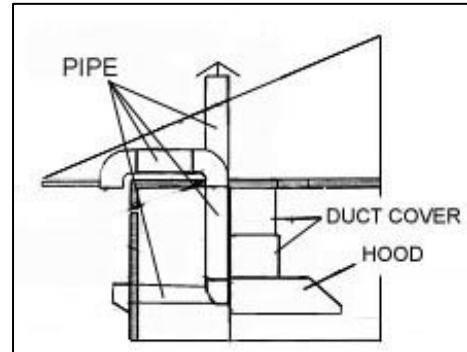


Figure 11

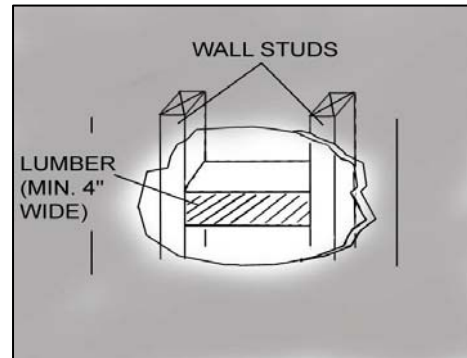


Figure 12

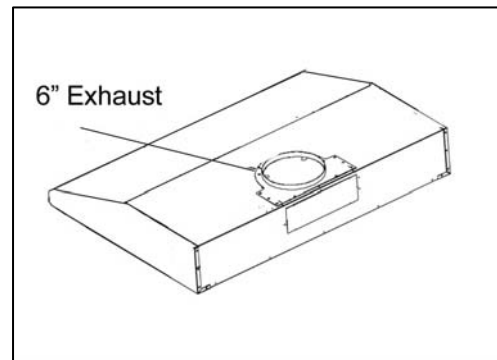
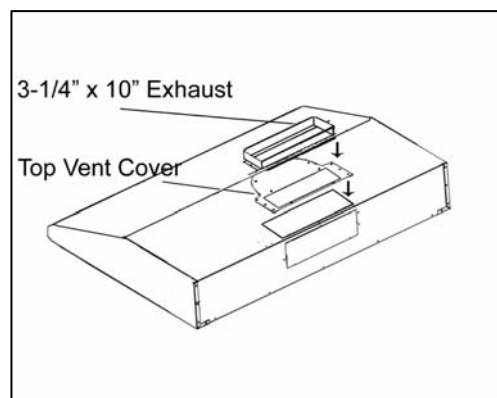


Figure 13



4. For Rear 3-1/4" x 10" vent installation only:
  - Remove attached 6" exhaust and discard. (Figure 12) Keep 13 screws to install vent covers.
  - Remove duct knockout from back of the hood and discard. (Figure 14) Unscrew 3-1/4" x 10" Vent Cover from rear exhaust (located inside hood); keep screws to install 3-1/4" x 10" Exhaust.
  - Align Top Vent Cover {E} and 3-1/4" x 10" Vent Cover (removed from rear exhaust) using 14 screws (13 screws taken from 6" exhaust). (Figure 14) Follow instructions in Step 5 to attach Hood Mounting Bracket {K} and two Duct Cover Support {L} using 14 screws (13 screws taken from 6" exhaust). (Figure 16)
  - Attach the 3-1/4" x 10" Exhaust {D} to rear exhaust (located inside hood) using 10 screws taken from rear vent cover. (Figure 15)

### Hood Installation

**⚠ CAUTION:** If moving the cooking range is necessary to install the hood, turn off the power in an electric range at the main electrical box. **SHUT OFF THE GAS BEFORE MOVING A GAS RANGE.** And use a protective covering to protect cooktop and/or countertop from damage.

5. Secure Hood-Mounting Bracket {K} and two Duct Cover Support {L} on top of the hood with eight pre-attached screws. Use four 3/16" x 3/8" screws {J} for Hood-Mounting Bracket {K}. (Figure 16)
6. Using references on Table 2 and measurements on page 20-22, mark the leveling point of the hood. Position two mounting screws (not provided) on the wall, leaving 1/8" away from the wall as shown in Figure 17.
7. Align Hood-Mounting Bracket {K} to the two screws on the wall and hook hood into place. Tighten screws to secure hood to the wall.

**⚠ CAUTION:** MAKE SURE HOOD IS SECURE BEFORE RELEASING

Figure 14

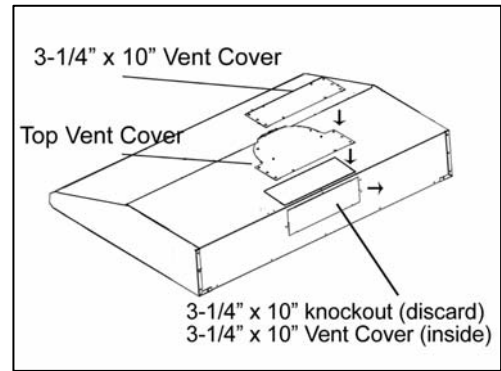


Figure 15

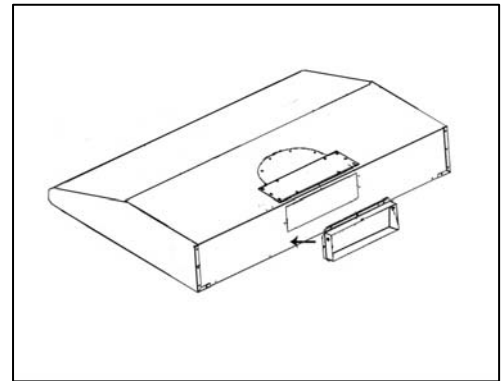
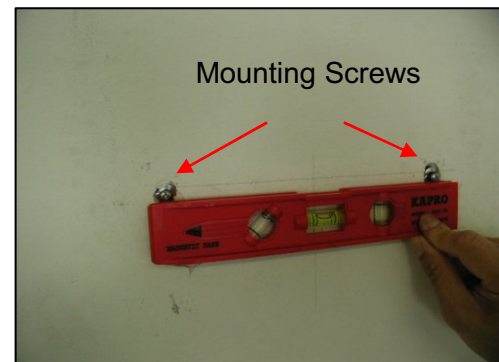


Figure 16



Figure 17





## Wiring to Power Supply

**⚠ CAUTION:** If moving the cooking range is necessary to install the hood, turn off the power in an electric range at the main electrical box. **SHUT OFF THE GAS BEFORE MOVING A GAS RANGE. RISK OF ELECTRICAL SHOCK.**

**⚠ THIS RANGE HOOD MUST BE PROPERLY GROUNDED. MAKE SURE THIS IS DONE BY QUALIFIED ELECTRICIAN IN ACCORDANCE WITH ALL APPLICABLE NATIONAL AND LOCAL ELECTRICAL CODES. BEFORE CONNECTING WIRES, SWITCH POWER OFF AT SERVICE PANEL AND LOCK SERVICE PANEL TO PREVENT POWER FROM BEING SWITCHED ON ACCIDENTALLY.**

8. If hood is operating normally, connect three wires (black, white and green) to house wires and cap with wire connectors.
9. Store wires in the wiring box.

## Ductwork Installation

10. Use steel pipe to connect the exhaust on the hood to the ductwork. Use duct tape to make all joints secure and air tight.

## Duct Cover Installation

11. Mark the position of the Duct Cover-Mounting Bracket {M}. Use reference **E** from Table 2 and measurements on page 20-22. Attach and secure Duct Cover-Mounting Bracket {M} with two screws (not provided). (Figure 18)  
NOTE: Inner duct cover will cover the duct cover-mounting bracket.
12. Position the entire duct cover up onto the hood.
13. Secure the inner duct cover with two (3/16" x 3/8") screws {J} to the duct cover-mounting bracket. Shown in Figure 19.
14. Fasten outer duct cover to Duct Cover Support {L} with four (4 x 6 mm) screws {J}.

Figure 18

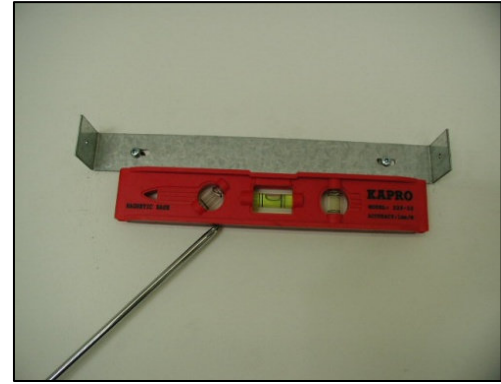


Figure 19





### Install Accessories (For Baffle Filter models)

15. Place baffle filters underneath the hood. (Figure 20)

### Install Accessories (For Oil Container models)

16. Place the oil container (round) into keyhole under each safety screen. Turn clock-wise until firmly in place. (Figure 21)

17. Slide oil container (oval) into plastic slot behind each safety screen as shown in Figure 22.

### Final Installation

18. Turn power ON in control panel. Check all lights and fan operation.

19. Make sure to leave this manual for the homeowner.

Figure 20

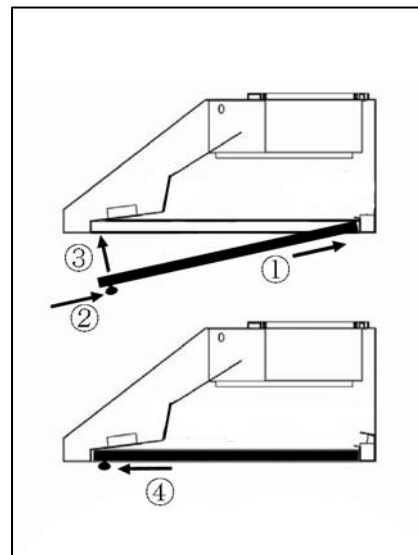


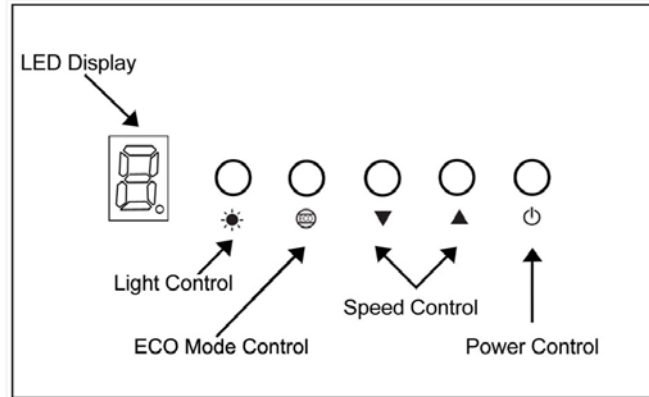
Figure 21



Figure 22



# OPERATING INSTRUCTIONS








Note: For best results, turn fan on prior to any preparation or cooking and keep fans running while cooking. Adjust speed as needed.


## Power Control

Press Power Control to turn On/Off the range hood.



## Speed Control

The fan will start on Speed #3. Press  button to decrease the speed level. Press  button to increase the speed level.

To activate 3-minute delay shutoff, press and hold  button. Once the delay shutoff has been activated the LED Display will flash and fan speed will change to Speed #3. Speed level can be adjusted by pressing  or  button during the 3-minute countdown.

To turn fan off immediately, press  button a second time.

## Light Control




Press  button to turn LED lights ON. Each press of  button will cycle the light intensity through Bright, Medium Bright, Dim, and OFF.




Lights are controlled independently from Power Control and delay shutoff. Turning the power off will not turn lights off.


## ECO Mode Control

ECO Mode is set to turn fan on QuietMode™ setting for 10 minutes every hour to remove excess moisture, microscopic particles and odors for better kitchen air quality.

ECO Mode is independent from the Power Control and delay shutoff.

ECO Mode can be activated while fan is running or off. Press and hold  button until  icon briefly appears in the LED Display. While fan is running you can change the speed, use delay shutoff or turn off fan without disabling ECO Mode. When fan is off and ECO Mode has been activated, the  icon will

appear in the LED Display. The  icon will flash while ECO Mode is operating on QuietMode™. To deactivate, press and hold  control button until  icon no longer appears in the LED Display.

NOTE: Pressing  button while ECO Mode is active will activate the regular fan function and the speed will be displayed in LED Display.

Note: Must open door or windows to create sufficient make-up air when ECO Mode has been activated.

## **MAINTENANCE**

For optimal performance, clean the range hood surface and baffles regularly.

### **To Clean Hood Surface**

**CAUTION: NEVER USE ABRASIVE CLEANERS, PADS, OR CLOTHS.**

\*\*\* Regular care will help preserve its fine appearance.

1. Use only mild soap or detergent solutions. Dry surfaces using soft cloth.
2. If hood looks splotchy (stainless steel hood), use a stainless steel cleaner to clean the surface of the hood. Avoid getting cleaning solution onto or into the control panel. Follow directions of the stainless steel cleaner. **Caution: Do not leave on too long as this may cause damage to hood finish.** Use soft towel to wipe off the cleaning solution, gently rub off any stubborn spots. Use dry soft towel to dry the hood.
3. DO NOT allow deposits to accumulate or remain on the hood.
4. DO NOT use ordinary steel wool or steel brushes. Small bits of steel may adhere to the surface and cause rusting.
5. DO NOT allow salt solutions, disinfectants, bleaches, or cleaning compounds to remain in contact with stainless steel for extended periods. Many of these compounds contain chemicals, which may be harmful. Rinse with water after exposure and wipe dry with a clean lint free cloth.

### **For Baffle Filter models only: to Clean Baffle Filter/Oil Tunnel**

**CAUTION: DRAIN OIL FROM BAFFLE FILTERS, SPACERS & OIL TUNNEL REGULARLY TO PREVENT OVERFLOW.**

1. Remove all the baffle filters, spacers and oil tunnel.
2. Using a sponge, wash with warm soapy water. Dry completely before returning into place.  
**CAUTION: SHARP EDGES**  
*(Note: Baffle Filters are top rack dishwasher safe.)*

### **For Oil Container models only: to Clean Oil Containers, Safety Screens and Impellers**

**CAUTION: DRAIN OIL CONTAINER BEFORE OIL CAN OVERFLOW.**

- 1) Normal Cleaning
  - Spray a mild degreaser into the fan and turn on high speed. Liquid residue will accumulate in the oil containers.
- 2) Cleaning Oil Containers
  - Remove the oil container (round) by turning counter-clockwise.
  - Remove the oil container (oval) by sliding forward.
  - Wash with warm soapy water. Dry completely before returning into place.
  - *Top rack dishwasher safe.*
- 3) Cleaning Safety Screens
  - Remove the safety screen screw and slide the safety screen out.
  - Wash with warm soapy water. Dry completely before returning into place.
  - *Top rack dishwasher safe.*

## SPECIFICATIONS

<b>MODEL / SIZE</b>	For Baffle Filter Models: CH2230SQB-1 (30") ; CH2236SQB-1 (36") CH2730SQB-1 (30") ; CH2736SQB-1 (36") ; CH2742SQB-1 (42") ; CH2748SQB-1 (48") For Oil Container Models: CH2230SQ-1 (30") ; CH2236SQ-1 (36")		
<b>COLOR</b>	18-Gauge Commercial Grade Stainless Steel		
<b>CONSUMPTION / AMPERE</b>	232W / 2.21A (30" , 36") 235W / 2.23A (42" , 48")		
<b>NUMBER OF BLOWER</b>	2		
<b>DESIGN</b>	Seamless / Satin Finish		
<b>BLOWER TYPE</b>	Twin Vertical Turbine Impeller		
<b>EXHAUST</b>	Top – 6" Round 3-1/4" x 10" Rectangular Rear – 3-1/4" x 10" Rectangular		
<b>CONTROLS</b>	Electronic Control (5 Buttons) with LED Display – 3-Minute Delay Shutoff ECO Mode		
<b>ECO MODE</b>	ECO Mode runs the range hood on the QuietMode™ setting for 10 minutes every hour to remove excess moisture, microscopic particles and odors to promote a cleaner kitchen environment.		
<b>LIGHTS</b>	3-Level Lighting 3-watt LED light x 2 (30" , 36") 3-watt LED light x 3 (42" , 48")		
<b>HOOD DIMENSION (W x D x H)</b>	(CH2230SQB-1 and CH2230SQ-1) 29-3/4" x 22" x 5-7/8" (CH2236SQB-1 and CH2236SQ-1) 35-3/4" x 22" x 5-7/8"  (CH2730SQB-1) 29-3/4" x 22" x 7" (CH2736SQB-1) 35-3/4" x 22" x 7" (CH2742SQB-1) 41-3/4" x 22" x 7" (CH2748SQB-1) 47-3/4" x 22" x 7"		
<b>OPTIONAL ACCESSORIES (W x D x H)</b>	1) Two-Piece Adjustable Duct Cover (CH1120DC-1) 11-13/16" x 10-7/16" x (22" ~ 41") 2) 30" Stainless Steel Back Panel (SSP30) 30" x 1/10" x 32" 3) 36" Stainless Steel Back Panel (SSP36) 36" x 1/10" x 32"		
<b>WEIGHT (lbs)</b>		<u>Net</u>	<u>Gross</u>
	CH2230SQB-1 (30")	37.5	42.0
	CH2236SQB-1 (36")	40.0	46.0
	CH2230SQ-1 (30")	34.0	39.5
	CH2236SQ-1 (36")	37.5	44.0
	CH2730SQB-1 (30")	40.5	46.0
	CH2736SQB-1 (36")	44.0	50.5
	CH2742SQB-1 (42")	50.5	61.5
	CH2748SQB-1 (48")	55.0	75.0

**For Baffle Filter Models:**

<b>SPEED</b>	QuietMode™	1	2	3	4	5
<b>Air Capacity (cfm)</b>	280	350	420	510	610	720
<b>Sone* (dB)</b>	1.0 (40)	1.4 (45)	2.8 (55)	3.5 (58)	4.2 (61)	4.5 (62)

**For Oil Container Models:**

<b>SPEED</b>	QuietMode™	1	2	3	4	5
<b>Air Capacity (cfm)</b>	300	380	460	560	670	800
<b>Sone* (dB)</b>	1.0 (40)	1.5 (46)	3.0 (56)	3.5 (58)	4.5 (62)	4.8 (63)

\*One sone is equivalent to the sound of a refrigerator at 40 decibels.

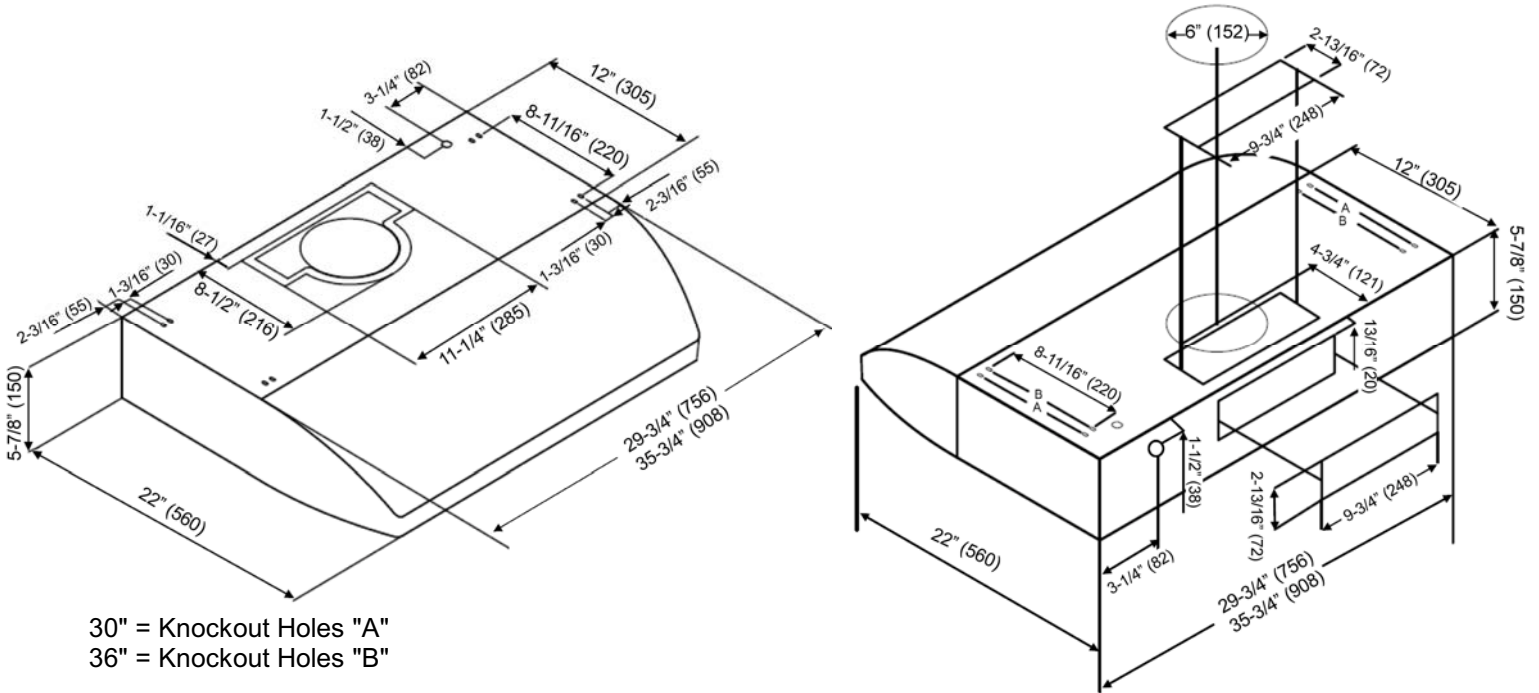
\*\*Specifications subject to change without notice.

# MEASUREMENTS & DIAGRAMS

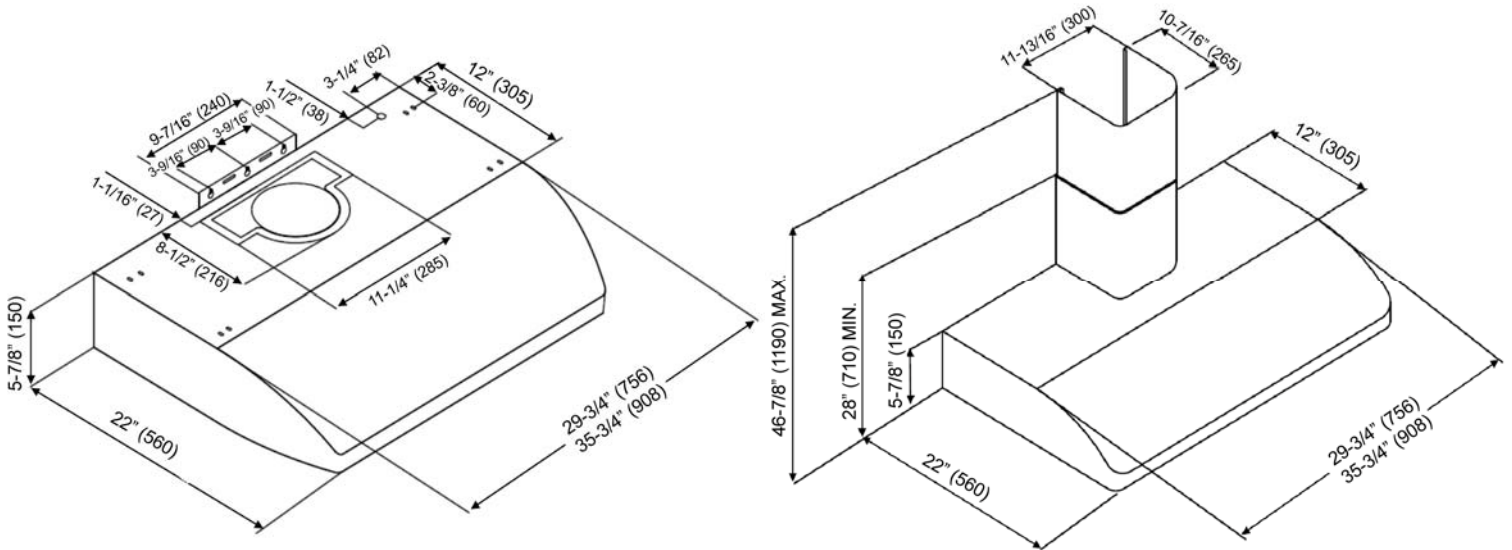
\*\*\*All inch measurements are converted from millimeters. Inch measurements are estimated.  
 \*\*\*All measurements in ( ) are millimeters.

**MODEL NO.:** CH2230SQB-1 (30") / CH2236SQB-1 (36")  
 CH2230SQ-1 (30") / CH2236SQ-1 (36")

## -FOR UNDER THE CABINET-

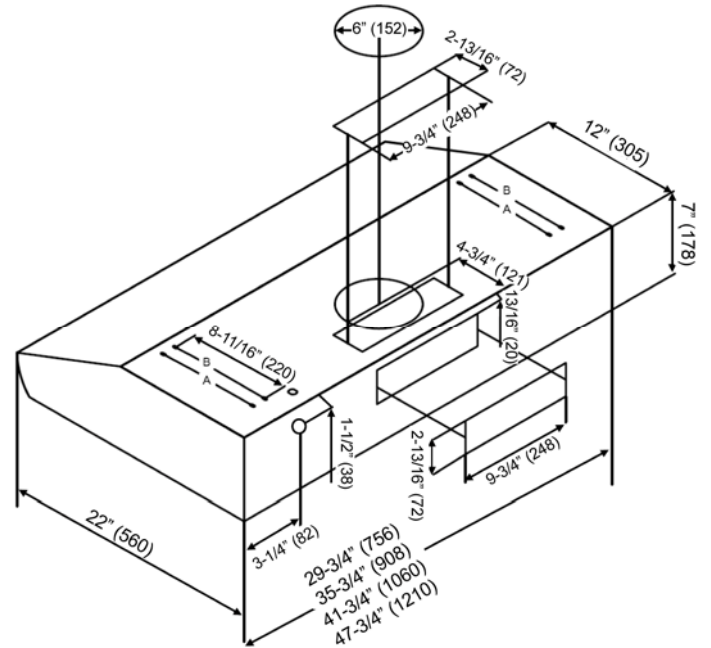
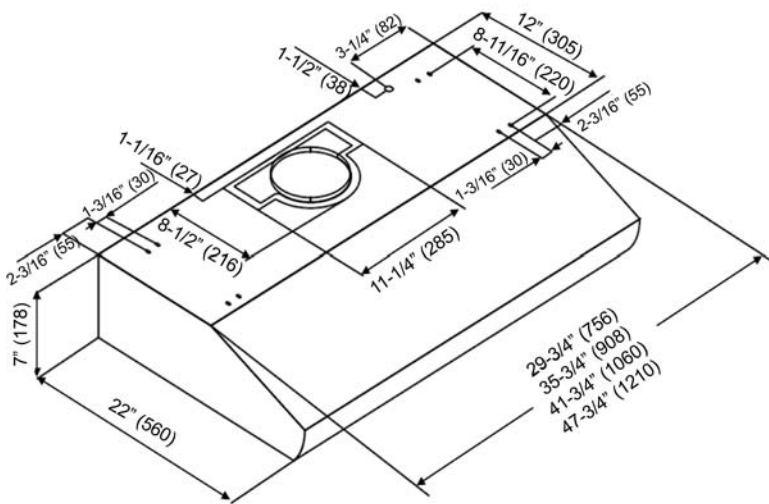


## - FOR WALL MOUNT (WITH OPTIONAL DUCT COVER) -



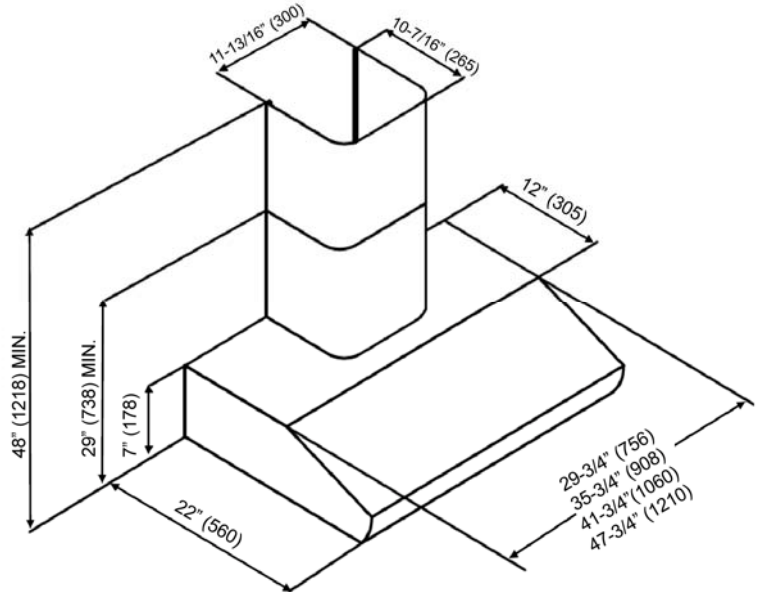
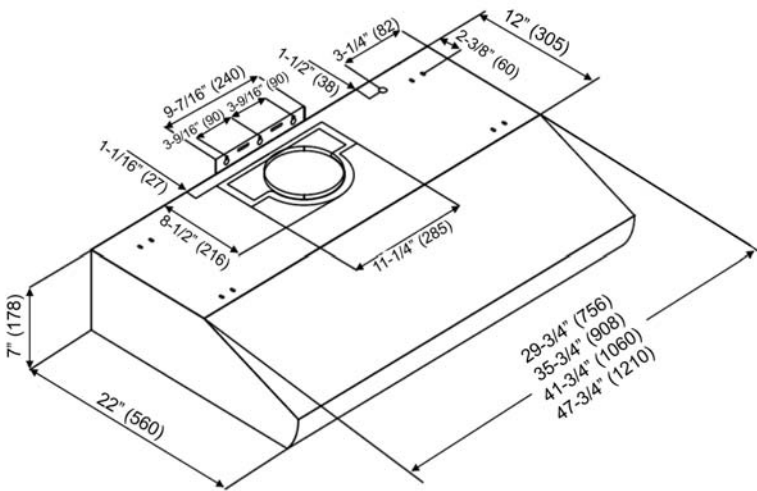
**MODEL NO.: CH2730SQB-1 (30") / CH2736SQB-1 (36")  
 CH2742SQB-1 (42") / CH2748SQB-1 (48")**

**-FOR UNDER THE CABINET-**



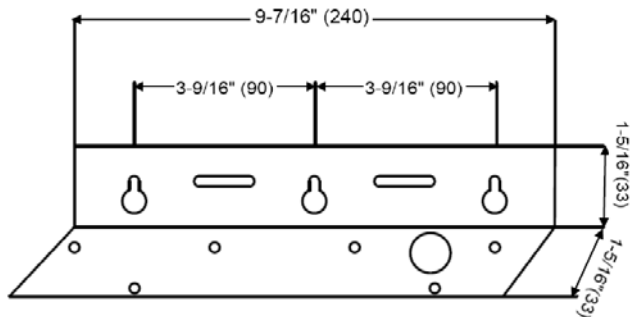
30" = Knockout Holes "A"  
 36", 42", 48" = Knockout Holes "A" & "B"

**- FOR WALL MOUNT (WITH OPTIONAL DUCT COVER) -**

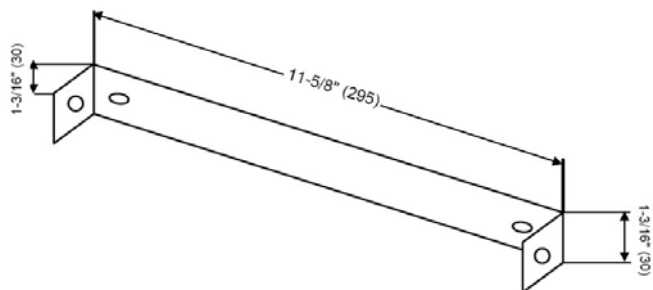




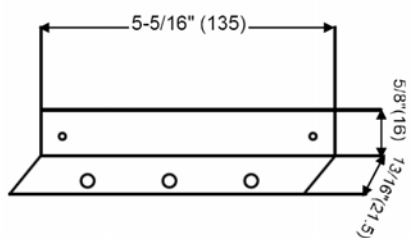
\*\*\*Hood-Mounting Bracket



\*\*\*Duct Cover-Mounting Bracket



\*\*\*Duct Cover Support



## PARTS LIST

For Oil Container models only.

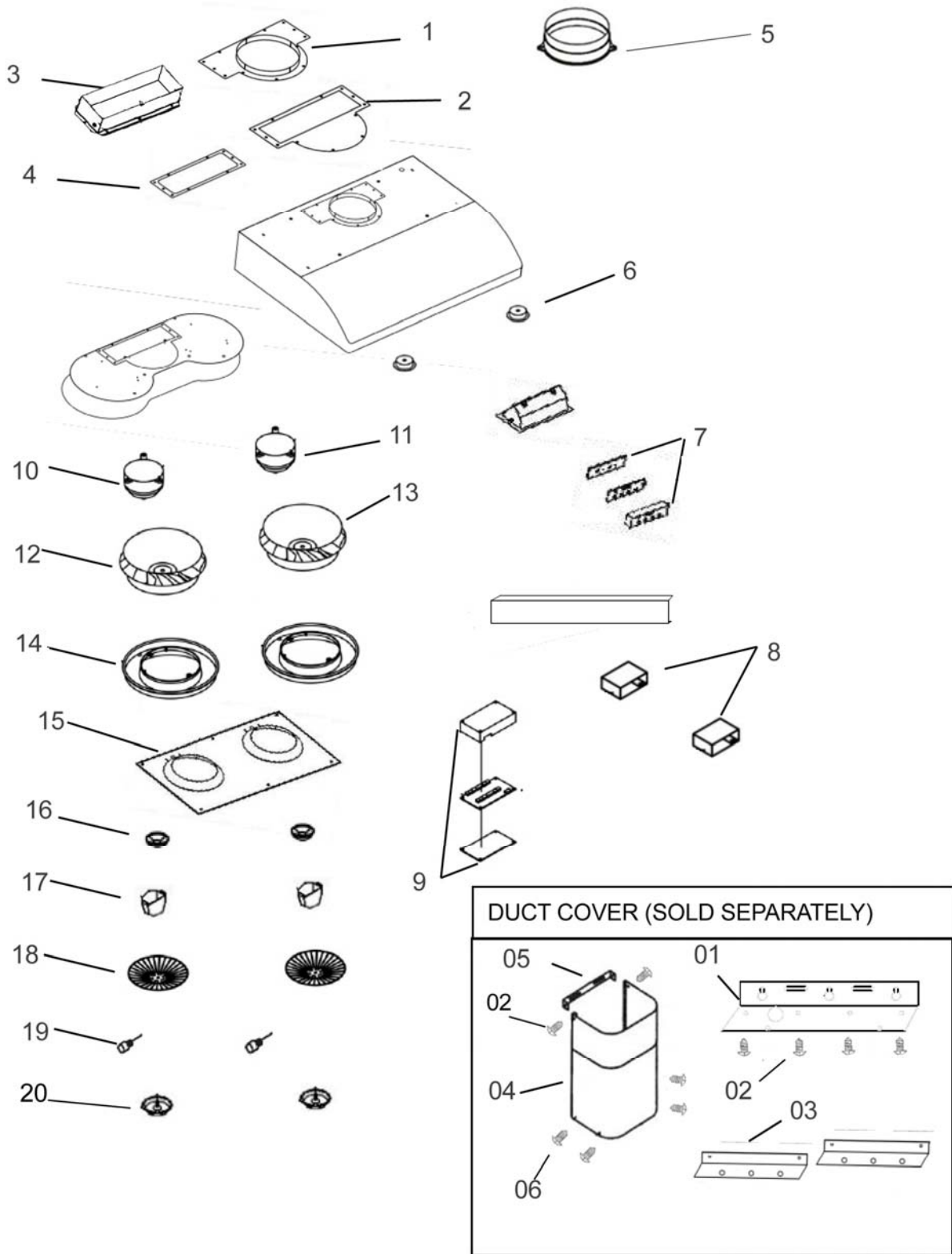
MODEL NO.: CH2230SQ-1 (30")  
CH2236SQ-1 (36")

NO.	DESCRIPTION	MODEL /SIZE	PART NO.
1	6" Exhaust		L1-0241-0001-A
2	Vent Cover (Top)		L1-0241-0001-B
3	3-1/4" x 10" Exhaust		L1-0241-0002-A
4	3-1/4" x 10" Vent Cover		L1-0241-0002-B
5	6" Round Plastic Collar		L1-0505-0002
6	LED Light (3W)		L1-0403-0301
7	Control Unit		L1-0501-6001
8	Capacitor (1.5uf+2.0uf / 350V)		L1-0401-0120-6
9	Processor Board		L1-0404-6001
10	Motor (102B)		L1-0301-0120-102B
11	Motor (102A)		L1-0301-0120-102A
12	Turbine Impeller (747B)		L1-0251-0747-B
13	Turbine Impeller (747A)		L1-0251-0747-A
14	Plastic Oil Tunnel		L1-0502-0102
15	Bottom Casing	CH2230SQ-1 (30")	B101-1630-09
		CH2236SQ-1 (36")	B101-1636-09
16	Impeller Plastic Cover		L1-0251-0001
17	Oil Container (Oval)		L1-0504-0101
18	Safety Screen		L1-0602-0101
19	Safety Screen screws		L1-0705-0001
20	Oil Container (Round)		L1-0503-0101

### Optional Duct Cover

NO.	DESCRIPTION	MODEL /SIZE	PART NO.
01	Hood Mounting Bracket		L1-0221-1630
02	Screws (3/16"x3/8") x 6		L1-0707-0002
03	Duct Cover Support x 2		L1-0208-1630
04	Duct Cover (Inner and Outer)	CH1120DC-1	12-16300-61
05	Duct Cover -Mounting Bracket		L1-0203-1630
06	Screws (TS 4 x 6mm) x 4		L1-0708-0002

For Oil Container models only.  
 MODEL NO.: CH2230SQ-1 (30")  
 CH2236SQ-1 (36")



**For Baffle Filter models only.**

**MODEL NO.:** CH2230SQB-1 (30")  
 CH2236SQB-1 (36")

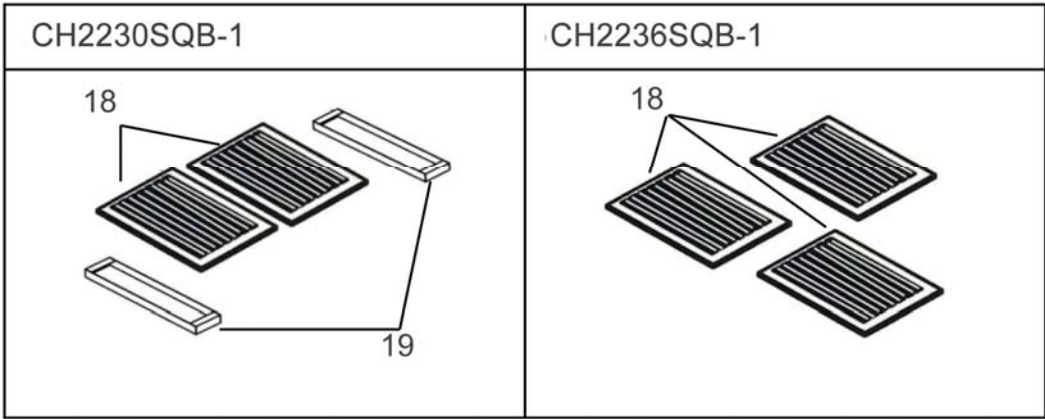
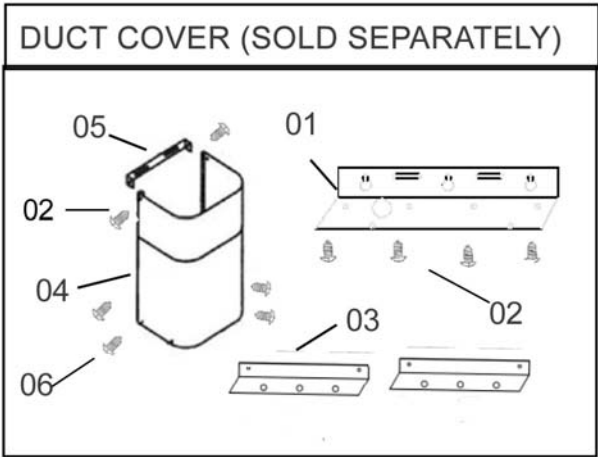
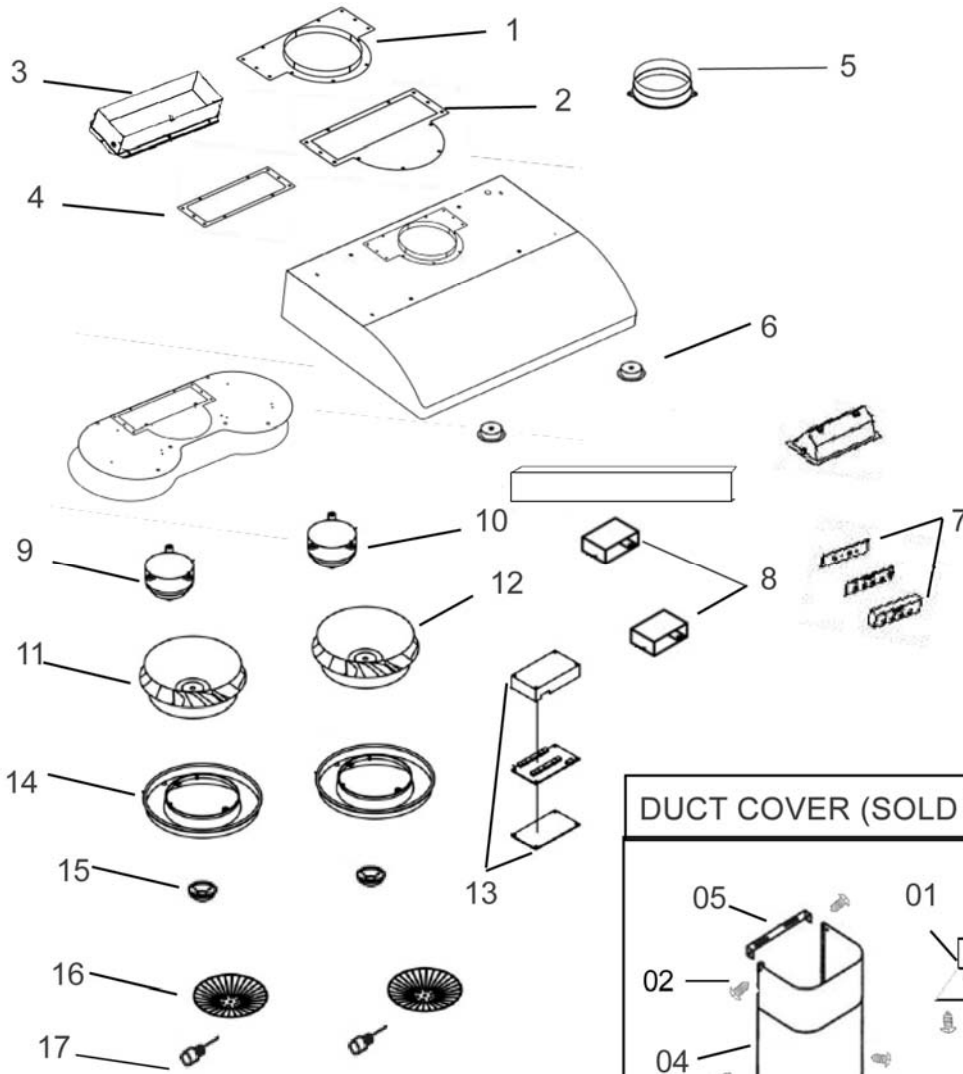
<b>NO.</b>	<b>DESCRIPTION</b>	<b>MODEL /SIZE</b>	<b>PART NO.</b>
1	6" Exhaust		L1-0241-0001-A
2	Vent Cover (Top)		L1-0241-0001-B
3	3-1/4" x 10" Exhaust		L1-0241-0002-A
4	3-1/4" x 10" Vent Cover		L1-0241-0002-B
5	6" Round Plastic Collar		L1-0505-0002
6	LED Light (3W)		L1-0403-0301
7	Control Unit		L1-0501-6001
8	Capacitor (1.5uf +2.0uF/ 350V)		L1-0401-0120-6
9	Motor (102B)		L1-0301-0120-102B
10	Motor (102A)		L1-0301-0120-102A
11	Turbine Impeller (747B)		L1-0251-0747-B
12	Turbine Impeller (747A)		L1-0251-0747-A
13	Processor Board		L1-0404-6001
14	Plastic Oil Tunnel		L1-0502-0101
15	Impeller Plastic Cover		L1-0251-0001
16	Safety Screen		L1-0602-0101
17	Safety Screen Screws		L1-0705-0001
18	Baffle Filter		L1-0214-0122
19	Stainless Steel Spacer	CH2230SQB-1 (30")	B101-2230-15

**Optional Duct Cover**

<b>NO.</b>	<b>DESCRIPTION</b>	<b>MODEL /SIZE</b>	<b>PART NO.</b>
01	Hood Mounting Bracket		L1-0221-1630
02	Screws (3/16"x3/8") x 6		L1-0707-0002
03	Duct Cover Support x 2		L1-0208-1630
04	Duct Cover (Inner and Outer)	CH1120DC-1	12-16300-61
05	Duct Cover- Mounting Bracket		L1-0203-1630
06	Screws (TS 4 x 6mm) x 4		L1-0708-0002

For Baffle Filter models only.

MODEL NO.: CH2230SQB-1 (30")  
 CH2236SQB-1 (36")



**For Baffle Filters models only.**

**MODEL NO.:** CH2730SQB-1 (30")  
 CH2736SQB-1 (36")

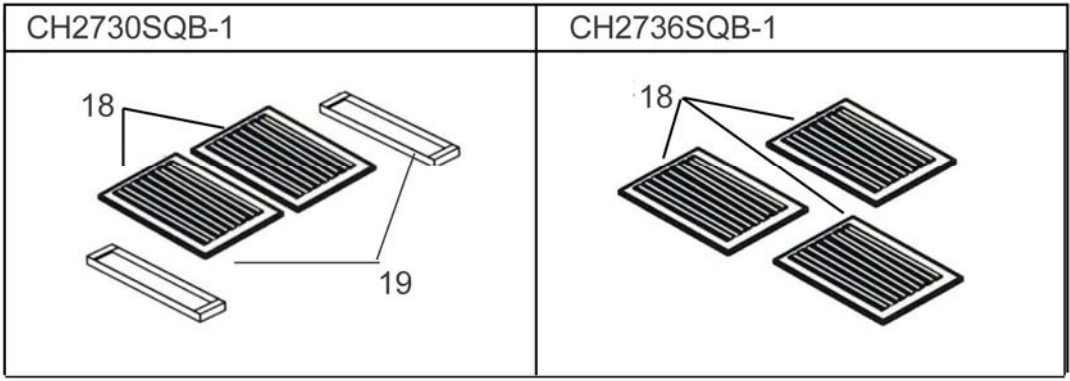
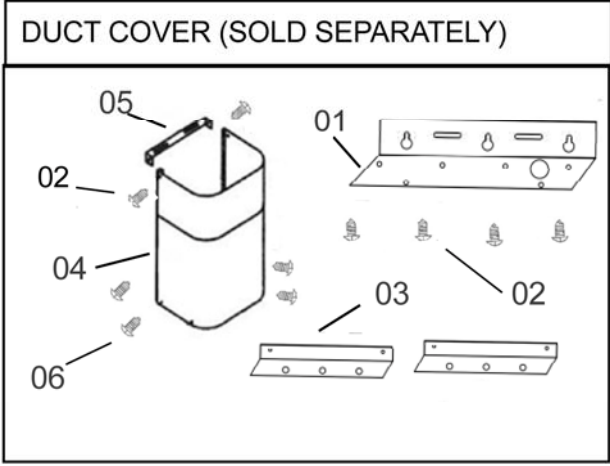
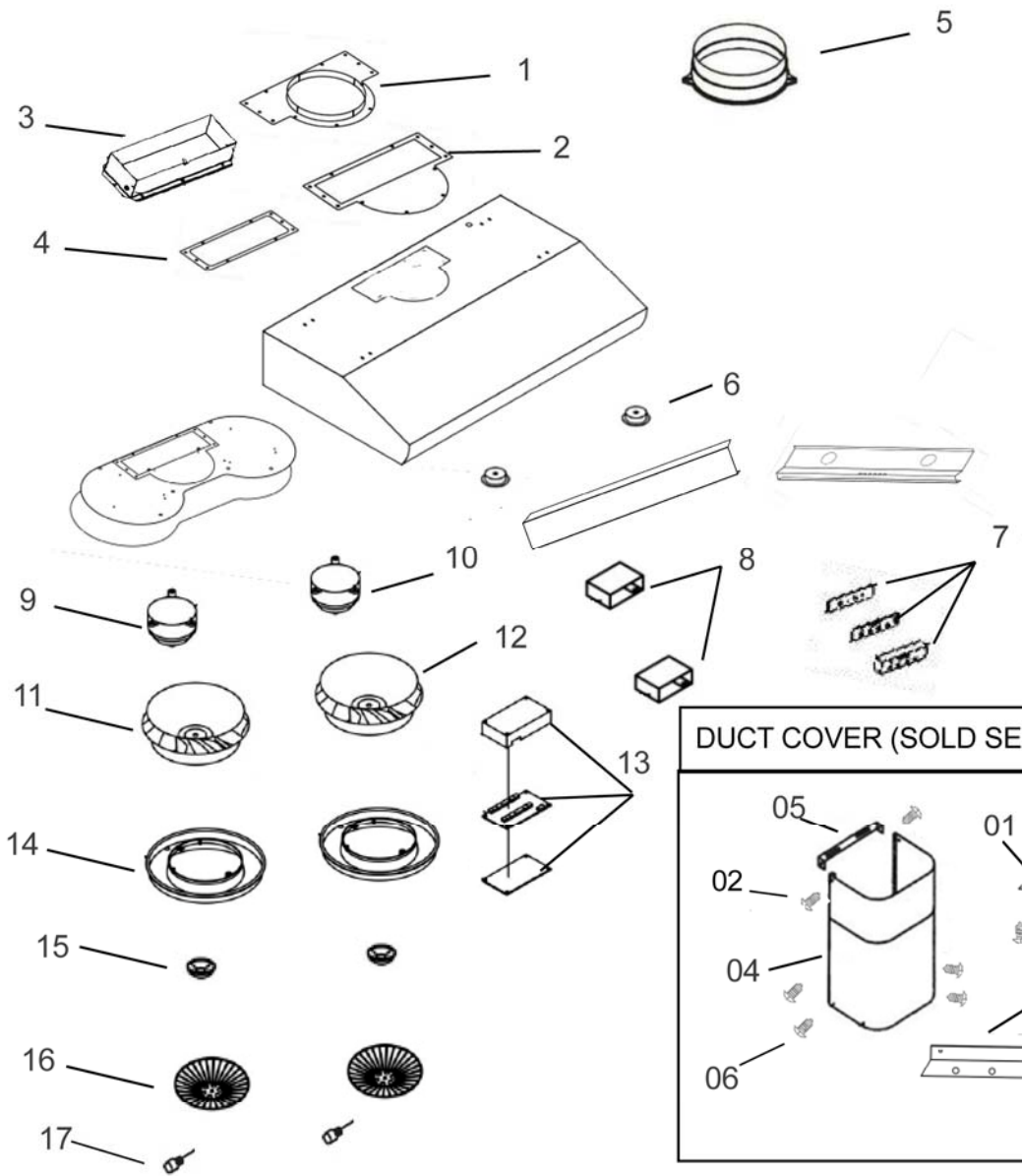
<b>NO.</b>	<b>DESCRIPTION</b>	<b>MODEL /SIZE</b>	<b>PART NO.</b>
1	6" Exhaust		L1-0241-0001-A
2	Vent Cover (Top)		L1-0241-0001-B
3	3-1/4" x10" Exhaust		L1-0241-0002-A
4	3-1/4" x10" Vent Cover		L1-0241-0002-B
5	6" Round Plastic Collar		L1-0505-0002
6	LED Light (3W)		L1-0403-0301
7	Control Unit		L1-0501-6001
8	Capacitor (1.5uf +2.0uF/ 350V)		L1-0401-0120-6
9	Motor (102B)		L1-0301-0120-102B
10	Motor (102A)		L1-0301-0120-102A
11	Turbine Impeller (747B)		L1-0251-0747-B
12	Turbine Impeller (747A)		L1-0251-0747-A
13	Processor Board		L1-0404-6001
14	Plastic Oil Tunnel		L1-0502-0101
15	Impeller Plastic Cover		L1-0251-0001
16	Safety Screen		L1-0602-0101
17	Safety Screen Screws		L1-0705-0001
18	Baffle Filter		L1-0214-0122
19	Stainless Steel Spacer	CH2730SQB-1 (30")	B101-2230-15

**Optional Duct Cover**

<b>NO.</b>	<b>DESCRIPTION</b>	<b>MODEL /SIZE</b>	<b>PART NO.</b>
01	Hood Mounting Bracket		L1-0221-1630
02	Screws (3/16"x3/8") x 6		L1-0707-0002
03	Duct Cover Support x 2		L1-0208-1630
04	Duct Cover (Inner and Outer)	CH1120DC-1	12-16300-61
05	Duct Cover- Mounting Bracket		L1-0203-1630
06	Screws (TS 4 x 6mm) x 4		L1-0708-0002

For Baffle Filter models only.

MODEL NO.: CH2730SQB-1 (30")  
 CH2736SQB-1 (36")



**For Baffle Filters models only.**

**MODEL NO.:** CH2742SQB-1 (42")  
 CH2748SQB-1 (48")

<b>NO.</b>	<b>DESCRIPTION</b>	<b>MODEL /SIZE</b>	<b>PART NO.</b>
1	6" Exhaust		L1-0241-0001-A
2	Vent Cover (Top)		L1-0241-0001-B
3	3-1/4" x10" Exhaust		L1-0241-0002-A
4	3-1/4" x10" Vent Cover		L1-0241-0002-B
5	6" Round Plastic Collar		L1-0505-0002
6	LED Light (3W)		L1-0403-0301
7	Control Unit		L1-0501-6001
8	Capacitor (1.5uf +2.0uF/ 350V)		L1-0401-0120-6
9	Motor (102B)		L1-0301-0120-102B
10	Motor (102A)		L1-0301-0120-102A
11	Turbine Impeller (747B)		L1-0251-0747-B
12	Turbine Impeller (747A)		L1-0251-0747-A
13	Processor Board		L1-0404-6001
14	Plastic Oil Tunnel		L1-0502-0101
15	Impeller Plastic Cover		L1-0251-0001
16	Safety Screen		L1-0602-0101
17	Safety Screen Screws		L1-0705-0001
18	Baffle Filter		L1-0214-0122
19	Stainless Steel Spacer	CH2742SQB-1 (42")	B101-2742-15

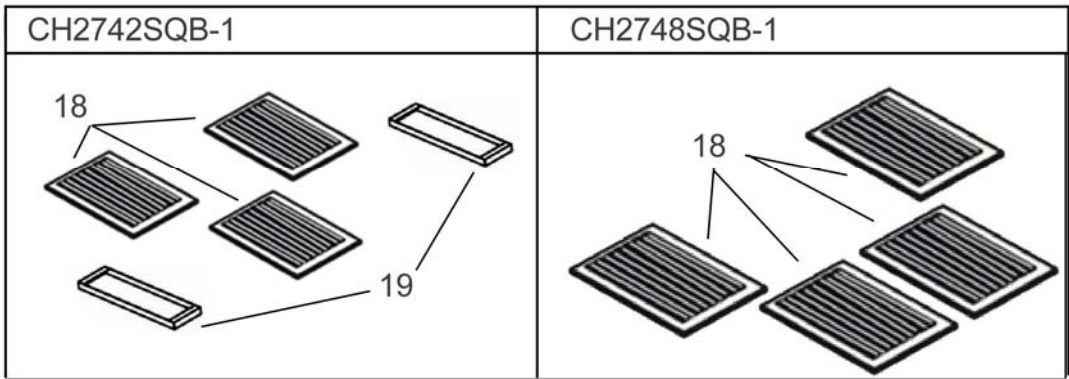
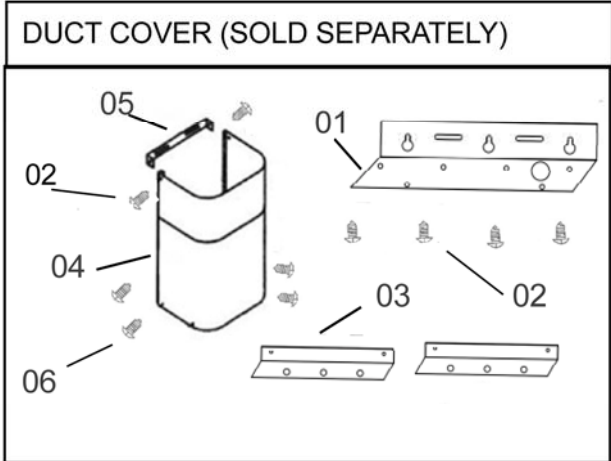
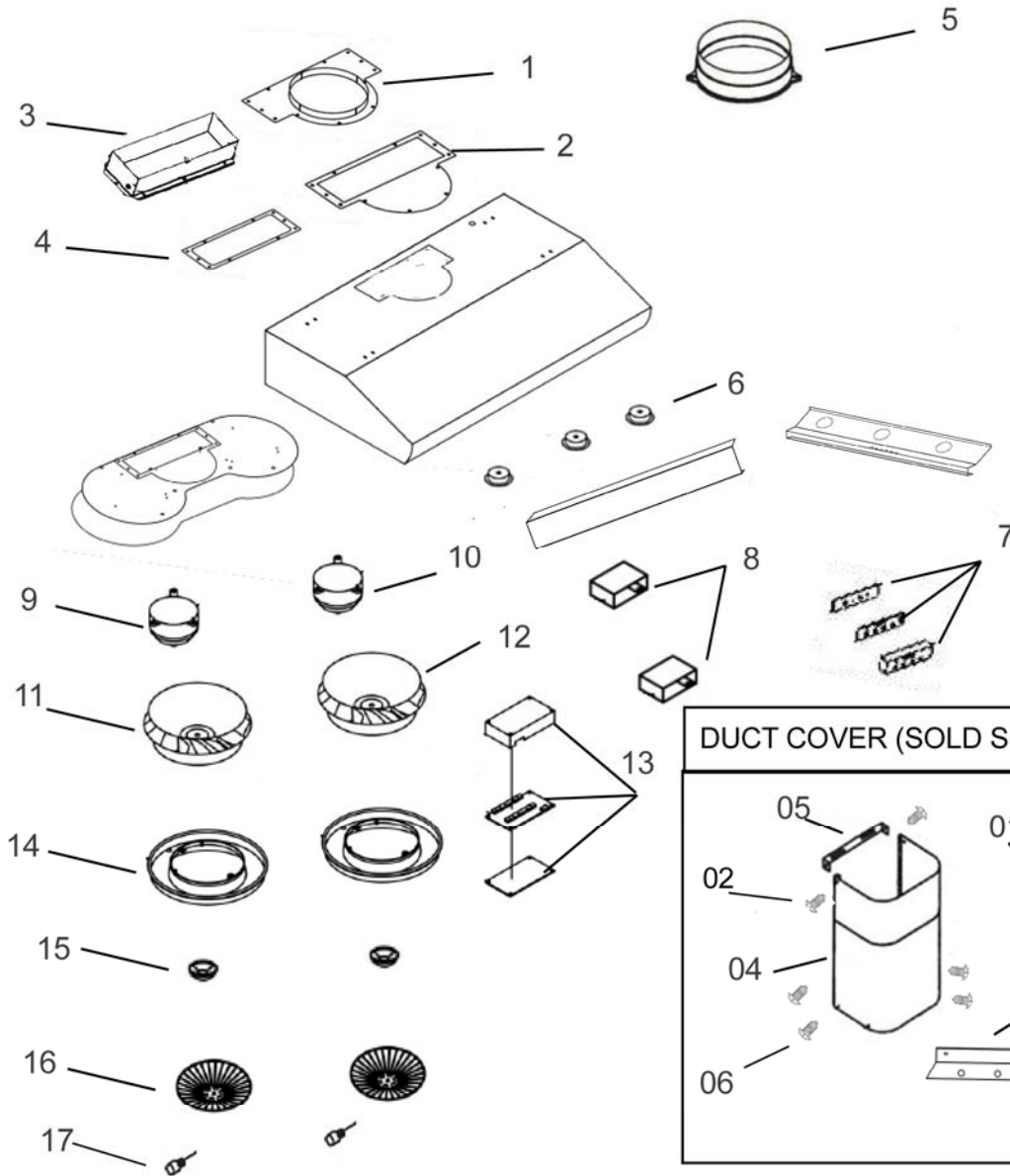
**Optional Duct Cover**

<b>NO.</b>	<b>DESCRIPTION</b>	<b>MODEL /SIZE</b>	<b>PART NO.</b>
01	Hood Mounting Bracket		L1-0221-1630
02	Screws (3/16"x3/8") x 6		L1-0707-0002
03	Duct Cover Support x 2		L1-0208-1630
04	Duct Cover (Inner and Outer)	CH1120DC-1	12-16300-61
05	Duct Cover- Mounting Bracket		L1-0203-1630
06	Screws (TS 4 x 6mm) x 4		L1-0708-0002



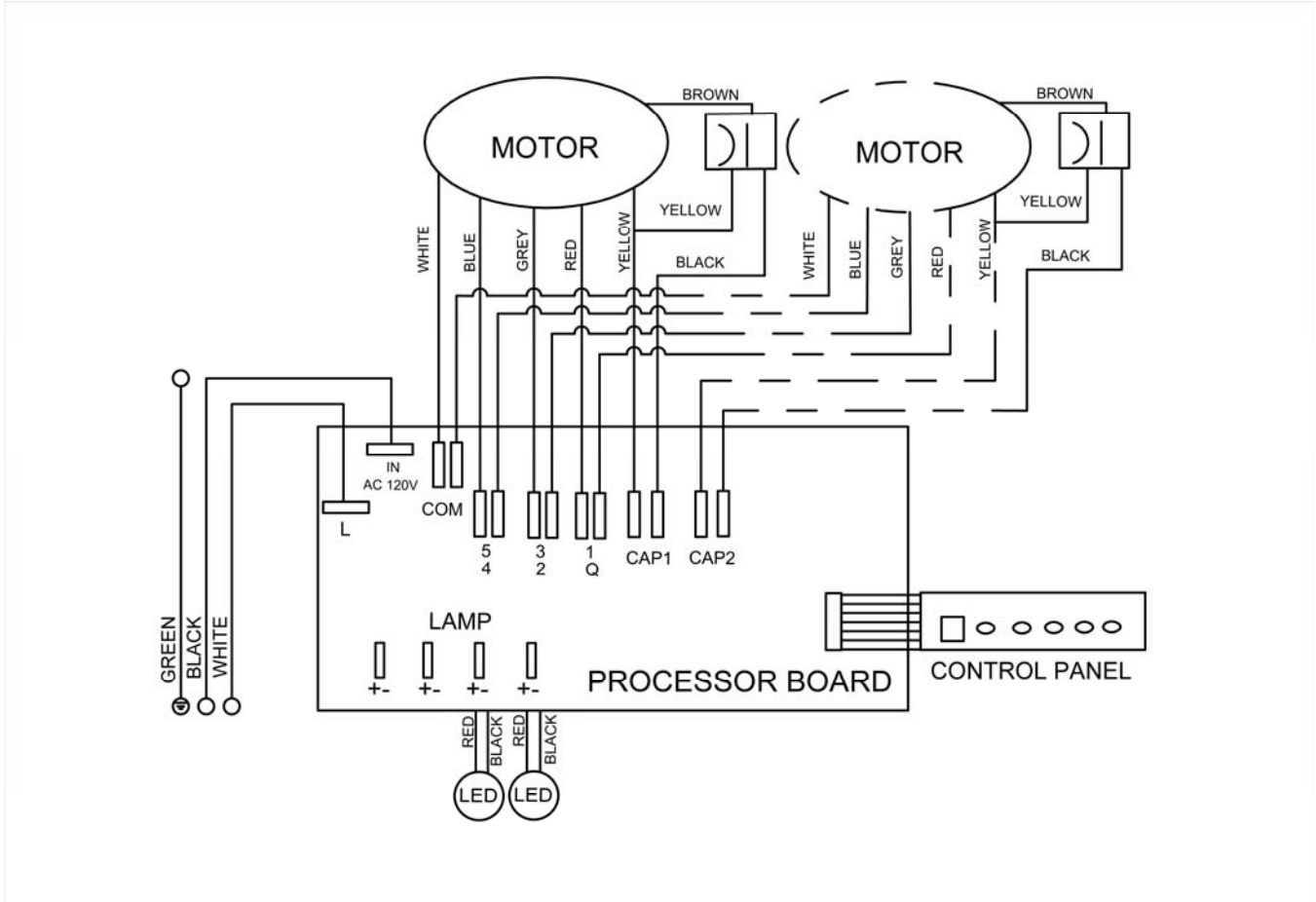
For Baffle Filters models only.

MODEL NO.: CH2742SQB-1 (42")  
 CH2748SQB-1 (48")

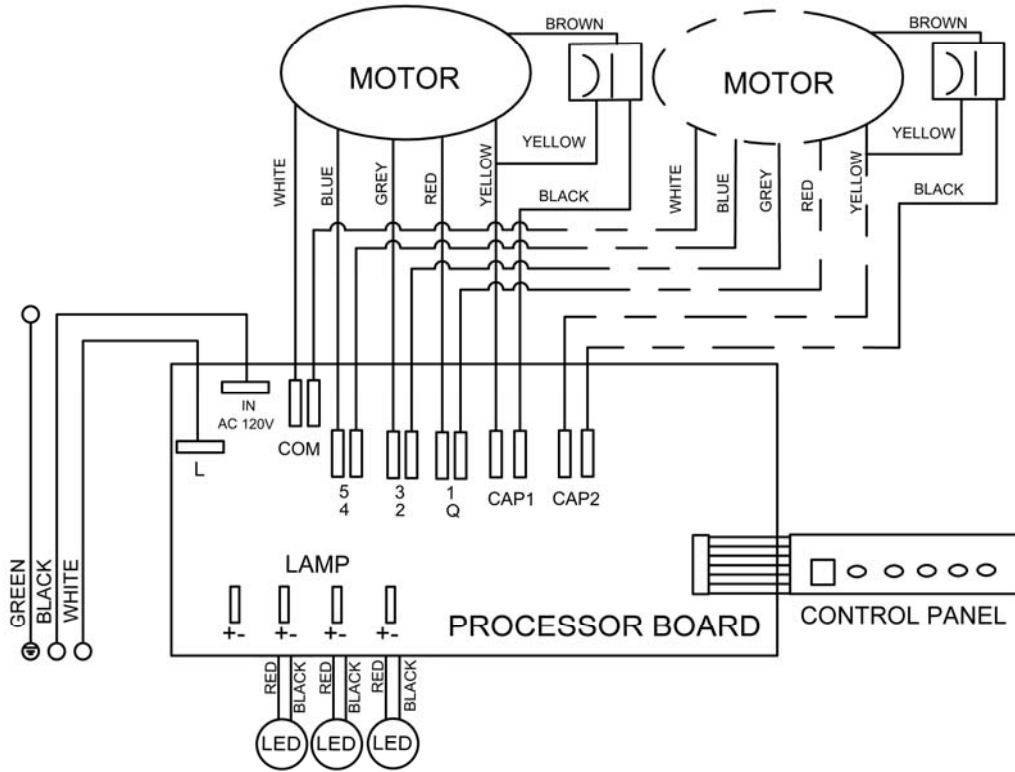


# CIRCUIT DIAGRAM

MODEL NO.: CH2230SQB-1 (30") / CH2236SQB-1 (36")  
CH2230SQ-1 (30") / CH2236SQ-1 (36")  
CH2730SQB-1 (30") / CH2736SQB-1 (36")



MODEL NO.: CH2742SQB-1 (42") , CH2748SQB-1 (48")



## TROUBLE SHOOTING

Issue	Possible Cause	Solution
After Installation, both motors and lights are not working.	The power is not on.	Make sure the circuit breaker and the unit's power is ON. Use a voltage meter to check the power supply.
	The wire connection is not secure.	Check and tighten wire connection.
	The control panel and processor board wiring are disconnected.	Check wire continuity from control panel to processor board.
	The control panel and processor board is defective.	Replace the control panel or processor board.
Lights are working, but motor(s) is not.	The motor(s) is defective.	Replace the motor.
	The capacitor(s) is defective.	Replace capacitor(s).
	The control panel or processor board is defective.	Replace the control panel or processing board.
The range hood is vibrating.	The blower system is not secure.	Tighten the turbine impeller/squirrel cage and air chamber.
	The turbine impeller/squirrel cage is not balanced.	Replace the turbine impeller/squirrel cage.
	Hood is not secured in place.	Check the installation of hood, tighten the mounting bracket.
The motor is working, but the lights are not working.	LED light fixture(s) is defective.	Replace LED light fixture(s)
	The light wiring(s) is loose.	Check wire continuity from processor board to light transformer to LED light fixture(s).
	The control panel or processor board is defective.	Replace the control panel or processing board.
The range hood is not venting out correctly.	The range hood is installed outside of the manufacture recommended clearance.	Adjust the clearance between the range hoods and cook top to 26" to 30". For Island range hood, the clearance between the range hoods and cook top is 30" to 36".
	There is no make-up air inside the house.	Open the window to enhance the performance of the range hood by creating a sufficient make-up air.
	Obstacle blocking the pipe work.	Remove all obstacles from the duct work.
	The pipe size is smaller than the suggested pipe size.	Change the ducting according to the manufacture suggestion.
Cold air is coming into the home.	The pipe connection is not properly sealed.	Check the pipe installation.
	The damper is not properly installed or is missing from the installation.	Check the damper installation.
	The damper is not installed.	Installing the damper will help eliminate air backflow.

## WARRANTY

### WARRANTY CERTIFICATE

KOBE Range Hoods (referred to herein as “we” or “us”) warrants to the original purchaser (referred to herein as “you” or “your”) all products manufactured or supplied by us to be free from defect in workmanship and materials as follows:

#### **TWO-YEAR LIMITED WARRANTY FOR PARTS AND LABOR ON KOBE PREMIUM SERIES:**

For two years from the date of your original invoice from a KOBE authorized dealer, we will, at our sole discretion, choose to repair or replace the product free of charge that failed due to manufacturing defects.

It is your sole responsibility to ensure the product is readily accessible for the service technician to perform repairs. **The service technician will not, under any circumstance, remove, alter or modify any fixture built around and/or connected to the product to gain access to perform repairs.**

During the two-year Limited Warranty period, additional charges may apply which include but are not limited to:

- Service technician travel charges if the requested service location is 30-miles out of KOBE’s authorized service area
- Parts shipping expenses
- Un-installation of defective product and Installation of replacement product

#### **ONE-YEAR LIMITED WARRANTY FOR PARTS ON KOBE BRILLIA SERIES:**

For one year from the date of your original invoice from a KOBE authorized dealer, we will provide, free of charge, parts to replace those that failed due to manufacturing defects. It is our sole discretion to choose to repair or replace defective parts. It is your sole responsibility for all labor costs associated with this warranty.

#### **Warranty Exclusions:**

This warranty does not cover, including but not limited to the following:

- a. Improper installation.
- b. Any repair, alteration, modification not authorized by KOBE.
- c. Duct alteration, modification and connection.
- d. Incorrect electric current, voltage or wiring.
- e. Normal maintenance and service required for the product.
- f. Consumable parts such as light bulbs and carbon filters.
- g. Improper usage of the product that it is not intended for, such as commercial use, outdoor use and multi-family use.
- h. Normal wear and tear.
- i. Chips, scratches or dents by abuse or misuse of the product.
- j. Damages caused by accident, fire, flood and other Acts of God.
- k. Expenses incurred for service located outside of the designated service area.
- l. Purchases from unauthorized dealers.
- m. Removal fees of defective product and Installation fees associated with replacement product.

If we determine that the warranty exclusions listed above apply or if you fail to provide all necessary documentation for warranty service, you will be responsible for all expenses associated with the requested service, including parts, labor, shipping, travelling and any other expense related to the service request.

To qualify for warranty service, you must:

1. Have the **ORIGINAL** proof of purchase
2. Be the **ORIGINAL** purchaser of the product
3. Have the model number
4. Have the serial number
5. Have a description of the nature of any defect in the product or part

**TO REQUEST WARRANTY SERVICE, PLEASE CONTACT THE KOBE RANGE HOODS SERVICE CENTER:**

KOBE SERVICE CENTER

Tel: 1-855-800-KOBE (5623)

E-mail: [kobe@adcoservice.com](mailto:kobe@adcoservice.com)

## PRODUCT REGISTRATION

Fill in the blanks and keep this paper with the **original invoice** in a safe place for future service purpose.

1. Date of purchase : \_\_\_\_\_

2. Model No. : \_\_\_\_\_

3. Serial No. : \_\_\_\_\_

**For warranty service or spare parts purchase contact:**

KOBE Service Center

Toll Free: 1-855-800-KOBE (5623)

Email: [kobe@adcoservice.com](mailto:kobe@adcoservice.com)

**To report a problem, please contact:**

Toll Free: 1-877-BUY-KOBE (289-5623)

Email: [customer.service@koberangehoods.com](mailto:customer.service@koberangehoods.com)

**For product information contact:**

Toll free: 1-877-BUY-KOBE (289-5623)

Email: [info@koberangehoods.com](mailto:info@koberangehoods.com)

Your notes:



KOBE Range Hoods  
11775 Clark Street  
Arcadia, CA 91006 USA

<http://www.KOBERangeHoods.com>

This KOBE hood is made for use in the USA and CANADA only. We do not recommend using this hood overseas as the power supply may not be compatible and may violate the electrical code of that country. **Using a KOBE hood overseas is at your own risk and will void your warranty.**

Cette hotte KOBE est fabriquée pour usage aux États-Unis et au Canada seulement. Il n'est pas recommandé d'utiliser cette hotte à l'étranger puisque l'alimentation électrique pourrait ne pas être compatible et enfreindre le code de l'électricité de ce pays. **L'usage de la hotte KOBE à l'étranger est à votre propre risque et la garantie sera annulée.**

Esta campana de extracción KOBE ha sido fabricada para ser utilizada únicamente en EE.UU. y CANADÁ. No recomendamos la utilización de esta campana en el extranjero debido a que la fuente de energía podría no ser compatible y podría violar el código eléctrico de dicho país. **Utilizar una campana KOBE en el extranjero será a su propio riesgo y anulará la garantía.**

VER.130412

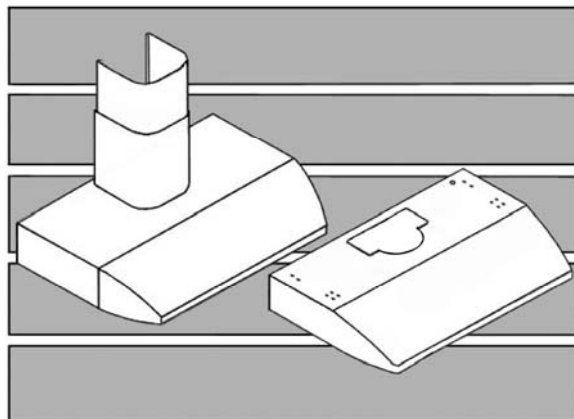
Information subject to change without notice.



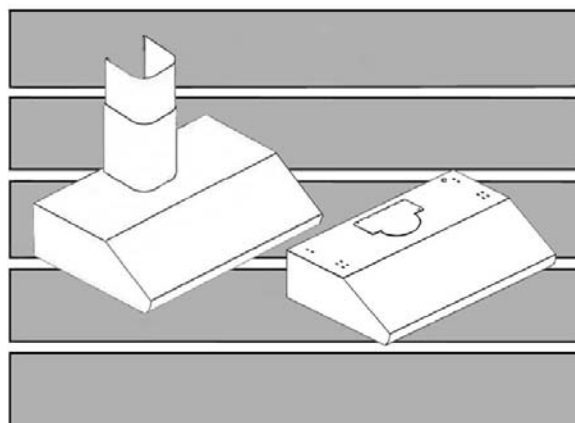
# KOBE® KOBE Brand Range Hood

## N<sup>os</sup> de modèles

CH2230SQ-1 (30 po) / CH2236SQ-1 (36 po)  
CH2230SQB-1 (30 po) / CH2236SQB-1 (36 po)



CH2730SQB-1 (30 po) / CH2736SQB-1 (36 po)  
CH2742SQB-1 (42 po) / CH2748SQB-1 (48 po)



MANUEL D'INSTALLATION  
ET MODE D'EMPLOI

# **IMPORTANT ! LISEZ CECI EN PREMIER LIEU.**

## **LISEZ CECI AVANT L'INSTALLATION**

1. Vérifiez soigneusement tous les contenus des emballages;
2. Inspectez soigneusement l'appareil pour tous dommages ou défauts cosmétiques;
3. Tester l'appareil avant l'installation;
4. Engagez un entrepreneur/électricien certifié pour procéder à l'installation.

## **EN CAS DE PROBLEME:**

1. **N'INSTALLEZ PAS L'APPAREIL ET CONSERVER LE CONTENU DE L'EMBALLAGE D'ORIGINE.**
2. Ayez votre preuve d'achat originale et le numéro de série du produit.
3. Appelez au 1-877-BUY-KOBE (289-5623) ou contactez-nous par courriel à [info@koberangehoods.com](mailto:info@koberangehoods.com) pour signaler le problème.

## **PAS DE RETOUR, DE REMBOURSEMENT, NI D'EXCHANGE SI:**

1. Le produit a été installé
2. Les trous prédécoupés ont été perforés
3. Contenus et/ou pièces de l'emballage d'origine manquent

## [Français]

- LISEZ ET CONSERVEZ CES INSTRUCTIONS -

### TABLE DES MATIÈRES

MESURES DE SÉCURITÉ IMPORTANTES .....	1
CONTENU DE L'EMBALLAGE .....	3
INSTALLATION .....	6
MODE D'EMPLOI .....	15
ENTRETIEN- NETTOYAGE.....	17
SPÉCIFICATIONS .....	18
MESURES ET SCHÉMAS .....	20
LISTE DES PIÈCES.....	23
DIAGRAMME DES CIRCUITS.....	31
TROUBLE SHOOTING .....	33
GARANTIE .....	34
FORMULAIRE D 'INFORMATION SUR LA GARANT .....	36

- LISEZ TOUTES LES INSTRUCTIONS ATTENTIVEMENT AVANT DE  
COMMENCER -

TOUT LE CÂBLAGE DOIT ÊTRE FAIT PAR UN PROFESSIONNEL ET  
CONFORMÉMENT AU CODES ÉLECTRIQUES NATIONAUX ET LOCAUX



## MESURES DE SÉCURITÉ IMPORTANTES

- SVP LIRE CETTE SECTION ATTENTIVEMENT AVANT L'INSTALLATION -

**⚠️ AVERTISSEMENT :** AFIN DE RÉDUIRE LES RISQUES D'INCENDIE, DE CHOC ÉLECTRIQUE ET DE BLESSURES, RESPECTER LES CONSIGNES SUIVANTES :

- 1) L'installation et le câblage électrique doivent être effectués par des techniciens qualifiés et en conformité avec tous les codes et toutes les normes qui s'appliquent même pour les constructions ignifugées.
- 2) Lorsque vous découpez ou percez un mur ou un plafond, prendre soin de ne pas endommager le filage électrique ou autres conduits cachés.
- 3) Les hottes à évacuation doivent être évacuées à l'extérieur.
  - a) Avant une réparation, un entretien préventif ou un nettoyage, ouvrir le panneau de la lumière et **COUPER LE COURANT ÉLECTRIQUE SUR LE TABLEAU DE DISTRIBUTION.**
  - b) Nettoyer le ventilateur, le filtre optionnel et les surfaces chargées de graisse fréquemment. Afin de réduire les risques d'incendie et afin de disperser l'air adéquatement, évacuer l'air à l'extérieur. **NE PAS ventiler l'air d'évacuation dans les murs, les greniers, les vides sanitaires ou les garages.**

**NOTE**

- La garantie de cet appareil sera nulle sans le reçu d'un distributeur autorisé de KOBÉ ou si l'appareil est endommagé par une utilisation inadéquate, une installation déficiente, un usage inapproprié, un mauvais traitement, de la négligence ou par toute autre circonstance échappant au contrôle des distributeurs autorisés de KOBÉ. Toute réparation effectuée sans la supervision d'un agent autorisé de KOBÉ annulera automatiquement la garantie.
- KOBÉ se dégage de toute responsabilité face à des dommages à la propriété personnelle ou aux biens immeubles ou encore à des blessures corporelles causées directement ou indirectement par la hotte de cuisinière.

**⚠️ AVERTISSEMENT :** AFIN DE RÉDUIRE LES RISQUES DE BLESSURES CORPORELLES DANS L'ÉVENTUALITÉ D'UN INCENDIE DE GRAISSE SE DÉCLARANT SOUS LA HOTTE DE CUISINIÈRE :

1. Tenir toujours propres le ventilateur, les filtres déflecteurs, s'il y en a, et les surfaces chargées de graisse.
2. Toujours faire fonctionner la hotte lors d'une cuisson à température élevée.
3. Utiliser les vitesses élevées de la hotte **UNIQUEMENT** lorsque nécessaire. Chauffer l'huile lentement aux réglages de basses ou de moyennes vitesses.
4. Ne pas laisser la cuisinière sans surveillance lors de la cuisson.
5. Toujours utiliser les articles de cuisson et les ustensiles appropriés au type et à la quantité d'aliments préparés.
6. Utiliser l'appareil seulement pour l'usage auquel le fabricant l'a destiné.
7. Avant l'entretien courant, couper l'alimentation électrique au tableau de distribution principal et verrouiller ce dernier (si possible) pour éviter une mise en marche accidentelle.
8. Nettoyer les ventilateurs fréquemment.

### Que faire en cas d'un incendie de graisse sur la cuisinière

- ÉTOUFFER LES FLAMMES à l'aide d'un couvercle hermétique, une plaque à biscuits ou un plateau métallique, puis fermer le rond ou le brûleur. GARDER LES MATÉRIAUX INFLAMMABLES OU COMBUSTIBLES LOIN DES FLAMMES. Si les flammes ne s'éteignent pas immédiatement, ÉVACUER LA ZONE ET APPELER LE SERVICE D'INCENDIE ou le 911.
- NE JAMAIS SOULEVER UNE CASSEROLE EN **FEU** - Il y a risque de brûlure.
- NE PAS UTILISER D'EAU incluant serviettes ou linges à vaisselle mouillés - cela provoquerait un violent jet de vapeur.
- Utiliser un extincteur SEULEMENT si:
  - a) vous possédez un extincteur de classe A, B ou C et si vous savez vous en servir ;
  - b) le feu est petit et est contenu dans la zone de départ ;
  - c) vous avez appelé le service d'incendie ;
  - d) vous pouvez combattre le feu le dos près d'une sortie.

### Que faire si une odeur de gaz se dégage

- Éteindre toute flamme nue.
- Ne pas essayer d'allumer des lumières ou tout type d'appareil électroménager.
- Ouvrir toutes les portes et fenêtres afin de chasser le gaz. Si une odeur de gaz est toujours perceptible, appeler votre fournisseur de gaz ainsi que le service d'incendie immédiatement.

### **⚠ ATTENTION !**

- 1) Cette hotte doit être utilisée uniquement pour une ventilation normale. Ne pas s'en servir pour évacuer des substances et vapeurs dangereuses ou explosives.
- 2) Afin de réduire les risques d'incendie, employer seulement des conduits de métal. Il doit y avoir suffisamment d'air pour une combustion et une évacuation des gaz appropriées par le conduit de fumée (cheminée) afin d'éviter le refoulement d'air.
- 3) Suivre les directives et les consignes de sécurité des fabricants d'équipement de chauffage comme celles publiées par le *National Fire Protection Association (NFPA)* et l'*American Society for Heating, Refrigeration and Air Conditioning Engineers (ASHRAE)* de même que les codes en vigueur.
- 4) L'activation de tout interrupteur peut provoquer l'allumage ou une explosion.
- 5) En raison de la taille et du poids de la hotte, il est recommandé que deux personnes participent à l'installation.

#### **⚠ AVERTISSEMENT**



**RISQUE DE CHOC ÉLECTRIQUE -** Pouvant entraîner la mort ou des blessures graves. Couper l'alimentation électrique à l'appareil avant tout entretien ou toute réparation. Si la hotte est munie d'une ampoule fluorescente, cette dernière contient une petite quantité de mercure et, en conséquence, elle doit être recyclée ou éliminée conformément aux codes locaux, provinciaux et fédéraux qui s'appliquent

## CONTENU DE L'EMBALLAGE

(Pour tout retour ou remboursement, veuillez conserver tout le matériel ainsi que l'emballage d'origine)

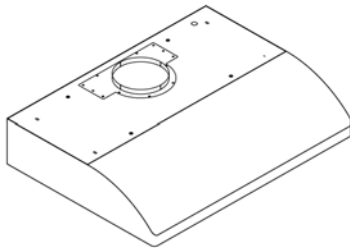
N° DE MODÈLE:

CH2230SQ-1 (30 po) / CH2236SQ-1 (36 po)

### Boîte de la hotte

- {A} Hotte de cuisinière KOBE
- {B} Carte d'enregistrement de garantie
- {C} Manuel d'instructions (CD)
- {D} l'échappement 3-1/4 po x 10 po
- {E} Couvercle Supérieur de l'Évent
- {F} Collier plastique rond de 6 po
- {G} Récupérateurs de graisses (ronds) x 2
- {H} Récupérateurs de graisses (ovales) x 2

{A}



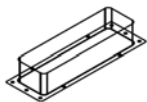
{B}



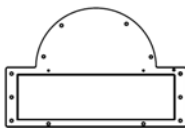
{C}



{D}



{E}



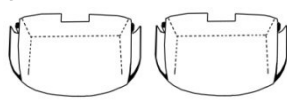
{F}



{G}



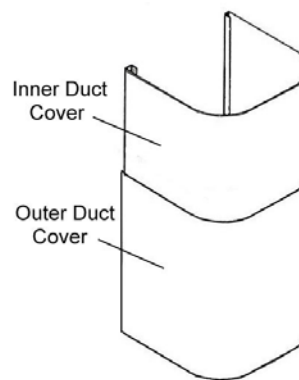
{H}



### Boîte du couvre conduit (vendu séparément)

- {I} Couvre conduit KOBE (Modèle # CH1120DC-1)
- {J} Vis
- {K} Support de fixation de la hotte
- {L} Support du couvercle du conduit x 2
- {M} Support de fixation du couvre conduit

{I}



{J}



3/16 po x 3/8 po (6 PCS)

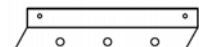


4 x 6mm (4 PCS)

{K}



{L}



2 PCS

{M}



- Pour de plus amples informations, veuillez visiter notre site web au [www.KOBERangeHoods.com](http://www.KOBERangeHoods.com) ou contactez KOBE RANGE au (626) 775-8880.

(Pour tout retour ou remboursement, veuillez conserver tout le matériel ainsi que l'emballage d'origine)

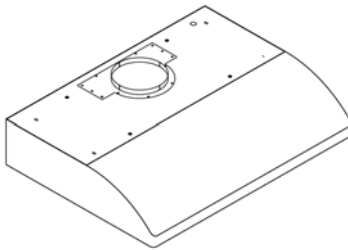
N° DE MODÈLE:

CH2230SQB-1 (30 po) / CH2236SQB-1 (36 po)

**Boîte de la hotte**

- {A} Hotte de cuisinière KOBE
- {B} Carte d'enregistrement de garantie
- {C} Manuel d'instructions (CD)
- {D} l'échappement 3-1/4 po x 10 po
- {E} Couvercle Supérieur de l'Évent
- {F} Collier plastique rond de 6 po
- {G} Filtre défecteur x 2 (30 po hood)  
x 3 (36 po hood)
- {H} Entretoise en acier inoxydable x 2 (30 po hood)

{A}



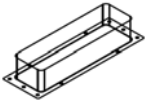
{B}



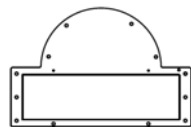
{C}



{D}



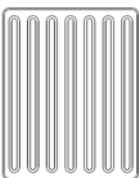
{E}



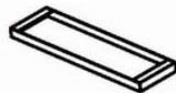
{F}



{G}



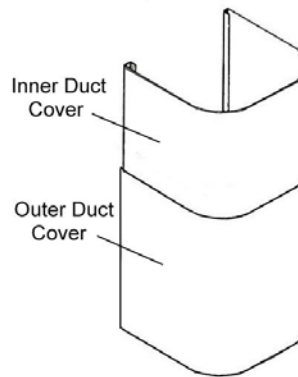
{H}



**Boîte du couvre conduit (vendu séparément)**

- {I} Couvre conduit KOBE (Modèle # CH1120DC-1)
- {J} Vis
- {K} Support de fixation de la hotte
- {L} Support du couvercle du conduit x 2
- {M} Support de fixation du couvre conduit

{I}

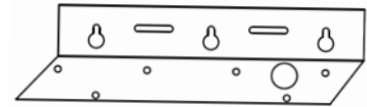


{J}



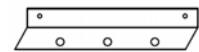
3/16 po x 3/8 po (6 PCS)

{K}



4 x 6mm (4 PCS)

{L}



2 PCS

{M}



- Pour de plus amples informations, veuillez visiter notre site web au [www.KOBERangeHoods.com](http://www.KOBERangeHoods.com) ou contactez KOBE RANGE au (626) 775-8880.

(Pour tout retour ou remboursement, veuillez conserver tout le matériel ainsi que l'emballage d'origine)

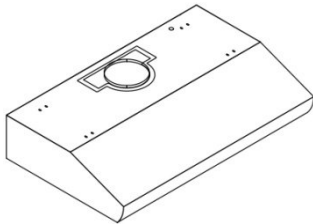
N° DE MODÈLE:

CH2730SQB-1 (30 po) / CH2736SQB-1 (36 po) / CH2742SQB-1 (42 po) / CH2748SQB-1 (48 po)

**Boîte de la hotte**

- {A} Hotte de cuisinière KOBE
- {B} Carte d'enregistrement de garantie
- {C} Manuel d'instructions (CD)
- {D} l'échappement 3-1/4 po x 10 po
- {E} Couvercle Supérieur de l'Évent
- {F} Collier plastique rond de 6 po
- {G} Filtre défecteur x 2 (30 po hood)  
x 3 (36 po, 42 po hood)  
x 4 (48 po hood)
- {H} Entretoise en acier inoxydable x 2 (30 po, 42 po hood)

{A}



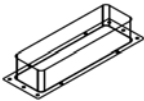
{B}



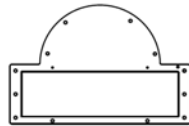
{C}



{D}



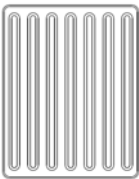
{E}



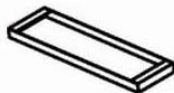
{F}



{G}



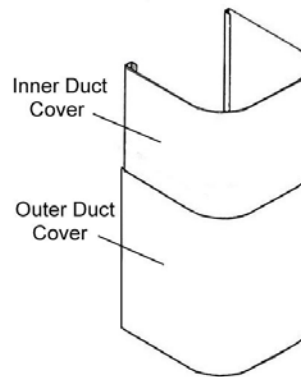
{H}



**Boîte du couvre conduit (vendu séparément)**

- {I} Couvre conduit KOBE (Modèle # CH1120DC-1)
- {J} Vis
- {K} Support de fixation de la hotte
- {L} Support du couvercle du conduit x 2
- {M} Support de fixation du couvre conduit

{I}



{J}

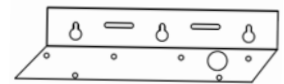


3/16 po x 3/8 po (6 PCS)

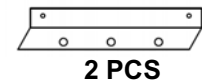


4 x 6mm (4 PCS)

{K}

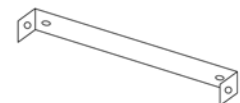


{L}



2 PCS

{M}



- Pour de plus amples informations, veuillez visiter notre site web au [www.KOBERangeHoods.com](http://www.KOBERangeHoods.com) ou contactez KOBE RANGE au (626) 775-8880.



## INSTALLATION

VEUILLEZ LIRE LES INSTRUCTIONS AU COMPLET AVANT L'INSTALLATION

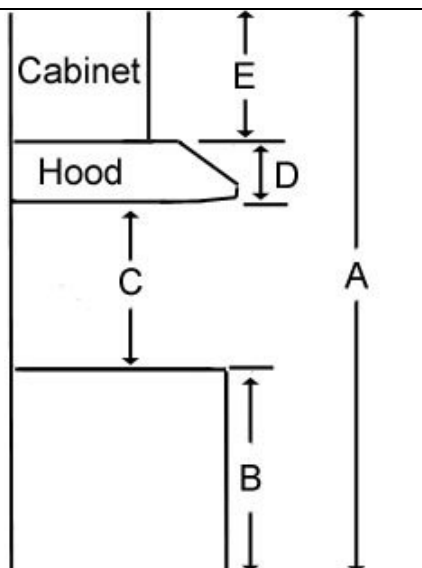
### Prise de mesures avant l'installation

Pour calculer les mesures, veuillez vous référer au TABLEAU 1. (Toutes les mesures sont données en pouces).

#### - INSTALLATION SOUS LE CABINET-

**TABLE 1**

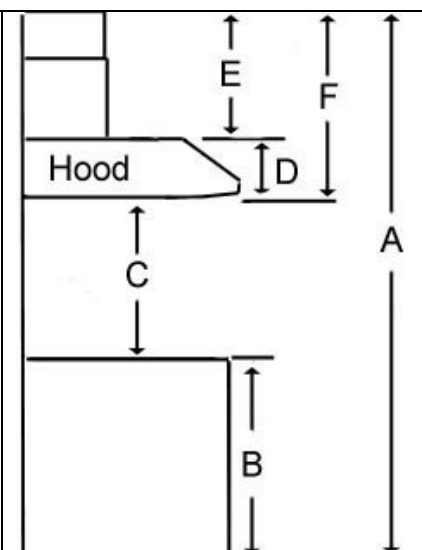
- A = hauteur du plancher au plafond
- B = hauteur du plancher jusqu'au comptoir/  
à la surface de cuisson (Normalement : 36 po)
- C = hauteur recommandée entre le dessus du  
comptoir /surface de cuisson jusqu'au dessous de  
la hotte (Recommandation : 26 po à 30 po)
- D = hauteur de la hotte
- E = hauteur du cabinet d'armoire



#### - MODÈLE ILOT (AVEC COUVRE CONDUIT OPTIONNEL)-

**TABLE 2**

- A = hauteur du plancher au plafond
- B = hauteur du plancher jusqu'au comptoir/  
à la surface de cuisson (Normalement : 36 po)
- C = hauteur recommandée entre le dessus du  
comptoir /surface de cuisson jusqu'au dessous de  
la hotte (Recommandation : 26 po à 30 po)
- D = hauteur de la hotte
- E = hauteur du Couvre Conduit : calcul  $[F - D]$
- F = hauteur recommandée pour l'installation de la hotte :  
calcul  $[A - (B+C)]$



## **CONSIGNES DE SÉCURITÉ**

LES HOTTES PEUVENT AVOIR DES BORDS TRÈS TRANCHANTS; VEUILLEZ PORTER DES GANTS DE PROTECTION, SI NÉCESSAIRE, POUR RETIRER DES PIÈCES LORS DE L'INSTALLATION, DU NETTOYAGE, DE L'ENTRETIEN ET DES RÉPARATIONS.

NOTE : FAIRE PREUVE DE PRÉCAUTION EN UTILISANT UN TOURNEVIS ÉLECTRIQUE PUISQUE CE DERNIER RISQUE D'ENDOMMAGER LA HOTTE.

### INSTALLATIONS

<b>SOUS LE CABINET ILOT</b>	8 11
---------------------------------	---------

## INSTALLATION SOUS LE CABINET

### Préparation avant l'installation

NOTE : AFIN D'ÉVITER QUE VOTRE HOTTE NE SUBISSE DES DOMMAGES, ASSUREZ-VOUS QUE L'OUVERTURE N'EST PAS BLOQUÉE ET EMPÊCHER QUE DES DÉBRIS NE PENÈTRE DANS L'OUVERTURE DES CONDUITS.

- Planifier l'emplacement du conduit d'aération qui cheminera de la hotte vers l'extérieur. (Voir Photo 1)
- Un parcours droit, court et dirigé permettra à la hotte de mieux performer.
- Il est toujours préférable de limiter le nombre de transitions, coudes et passages. Les changements de direction affecteront la performance de votre hotte.
- Connecter temporairement la hotte afin d'en vérifier le fonctionnement avant de procéder à l'installation finale.
- Retirer la pellicule protectrice de la hotte (s'il y a lieu).
- Utilisez du ruban adhésif pour sceller les joints entre les sections de tuyau.
- Lors d'une installation sous un cabinet: ajouter des fixations de bois d'au moins 4 pouces de large (non inclus) sur chaque côté. (Voir Photo 2)
- Utilisant les références sur Table 1 et les mesures sur de la page 20-21, mesurer et prévoir un accès pour des fils électriques sous le cabinet.

### Vent option installation

**⚠ AVERTISSEMENT : POUR ÉVITER TOUT DOMMAGE À LA HOTTE, IL FAUT EMPÊCHER LES DÉBRIS DE PÉNÉTRER DANS L'OUVERTURE DE VENTILATION.**

1. Choisissez l'option d'évacuation exigée. Certains écrous d'installation sont déjà pré-attachés à la hotte.
2. Pour l'installation d'un évent rond de 6 pouces seulement :
  - L'échappement de 6 pouces y est déjà attaché. (Photo 3) Alignez et sécurisez le collier plastique rond de 6 pouces {F} aux écrous de l'hotte.
3. Pour l'installation de l'évent supérieur 3-1/4 po x 10 po seulement :
  - Redirez l'échappement de 6 pouces attaché et jetez. (Photo 3) Gardez 13 écrous pour installer l'échappement 3-1/4 po x 10 po et le couvercle de l'évent.
  - Alignez et sécurisez le Couvercle Supérieur de l'Évent {E} et l'Échappement 3-1/4 po x 10 po {D} utilisant 14 écrous (13 provenant de l'échappement 6 pouces). Photo 4

Photo 1

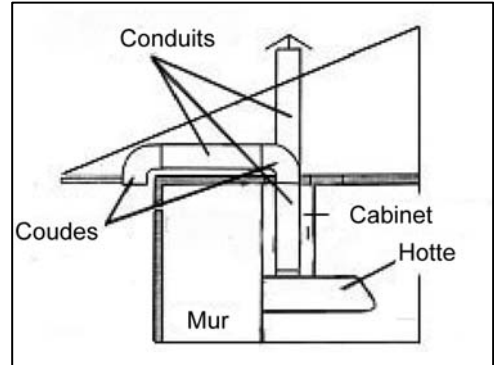


Photo 2

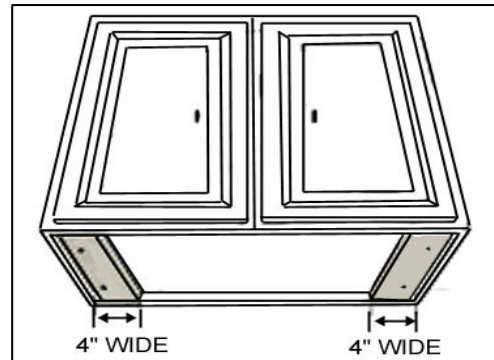


Photo 3

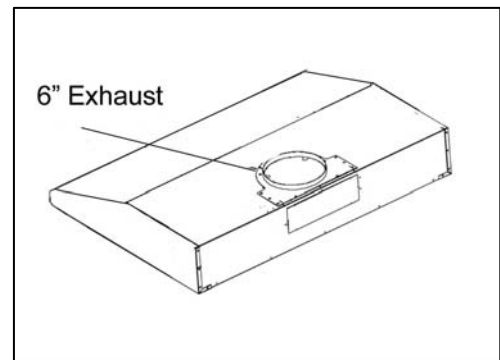
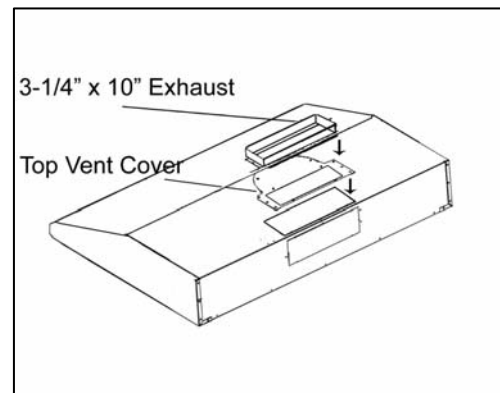


Photo 4



4. Pour l'installation de l'évent arrière 3-1/4 po x 10 po seulement :
  - Redirez l'échappement de 6 pouces attaché et jetez. (Photo 3) Gardez 13 écrous pour installer les couvercles de l'évent.
  - Redirez le knockout de conduit à l'arrière et jetez. (Photo 5) Devisez le couvercle 3-1/4 po x 10 po de l'évent de l'échappement arrière (situez au sein de hotte); gardez les écrous pour installer l'échappement 3-1/4 po x 10 po.
  - Alignez et sécurisez le couvercle de l'évent supérieur {E} et le couvercle de l'évent 3-1/4 po x 10 po (retiré de l'échappement arrière) utilisant 14 écrous (13 provenant de l'échappement 6 pouces). Photo 5.
  - Attachez l'échappement 3-1/4 po x 10 po {D} à l'échappement arrière (situez au sein de hotte) utilisant 10 écrous provenant du couvercle de l'évent. (Photo 6)

### Installation de la hotte

**⚠ AVERTISSEMENT: S'IL FAUT DÉPLACER UNE CUISINIÈRE ÉLECTRIQUE POUR INSTALLER LA HOTTE, COUPER D'ABORD L'ALIMENTATION ÉLECTRIQUE À CETTE CUISINIÈRE PAR LE TABLEAU DE DISTRIBUTION PRINCIPAL. COUPER LE GAZ AVANT DE DÉPLACER UNE CUISINIÈRE À GAZ. Utilisez un revêtement protecteur pour protéger la surface de cuisson et / ou le revêtement de comptoir.**

5. Retirez l'enveloppe du bas ou les filtres à chicanes/les entretoises inoxydables si nécessaire. Rangez les fils électriques pour traverser le trou d'un diamètre 1 pouce ou l'arrière de la hotte.
6. Utilisant les références sur Table 1 et les mesures sur de la page 20-21, centralisez la hotte à l'endroit en dessous de l'armoire et rincez avec l'avant de l'armoire.
7. Dirigez les fils électriques à travers les ouverts d'accès de l'armoire.
8. Utilisez une perceuse électrique pour retirer les knockouts trous au dessus de la hotte de cuisine.
9. Placez n'écrou (non-fourni) au centre exact de chaque knockout trou. Rassurez-vous que tous les écrous sont à leur endroit avant de bien serrez.

**⚠ AVERTISSEMENT: ASSUREZ-VOUS QUE LA HOTTE EST SOLIDEMENT FIXÉE EN PLACE AVANT DE LA RELACHER.**

Photo 5

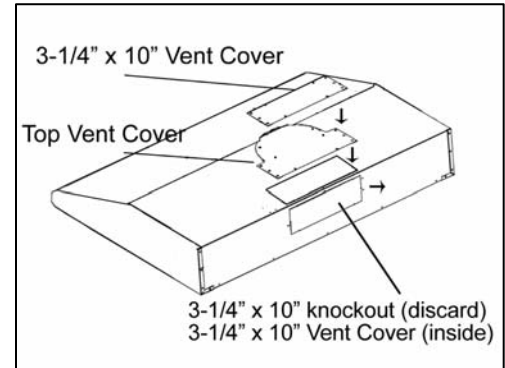
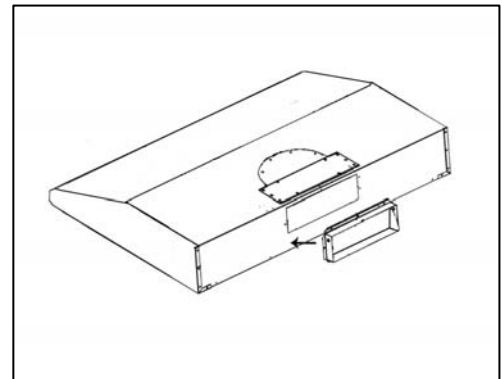


Photo 6



## Branchement à L'alimentation électrique

**⚠ AVERTISSEMENT:** S'il faut déplacer la cuisinière électrique pour installer la hotte, coupez d'abord l'alimentation électrique à la cuisinière par le panneau de service. **COUPEZ LE GAZ AVANT DE DÉPLACER UNE CUISINIÈRE À GAZ. RISQUE DE CHOC ÉLECTRIQUE**

**⚠ CETTE HOTTE DE CUISINIÈRE DOIT ÊTRE FIXÉE ADÉQUATEMENT. ASSUREZ-VOUS DE LE FAIRE PAR UN ÉLECTRICIEN QUALIFIÉ CONFORMÉMENT AUX RÉGLEMENTATIONS NATIONALES ET LOCALES. AVANT DE BRANCHER DES FILS, COUPER LE COURANT ÉLECTRIQUE AU PANNEAU DE SERVICE ET VERROUILLER POUR ÉVITER QUE LE COURANT SOIT REMIS ACCIDENTELLEMENT.**

- Raccorder les trois fils (noir, blanc et vert) aux fils de la maison et les couvrir avec des capuchons de connexion.
- S'il est nécessaire de cacher les connexions des fils électriques, enfoncez les fils dans le boîtier de câblage.

## Installation des conduits

10. Utiliser des tuyaux d'aluminium ou d'acier pour relier le joint de raccordement en plastique de la hotte aux conduits dessus. Utiliser du ruban adhésif pour sceller les joints sûrs et ainsi obtenir une parfaite étanchéité.

## Installation des accessoires (For Baffle Filter models)

11. Placer les filtres déflecteurs sous la hotte. Voir Photo 7.

## Installation des accessoires (For Oil Container models)

12. Placer les récupérateurs de graisse (ronds) sous chacun des grilles de sécurité. Tourner dans le sens des aiguilles d'une montre jusqu'à ce qu'ils soient fermement en place. Référez-vous à la Photo 8.

13. Faire glisser le récupérateur de graisses ovales dans la fente de plastique derrière chaque grille de sécurité comme indiqué dans la Photo 9.

## Assemblage final

14. Démarrer la hotte par la commande marche/arrêt (ON/OFF). Vérifier le fonctionnement de toutes les lampes et du ventilateur.
15. Remettre ce manuel au propriétaire pour consultation future.

Photo 7

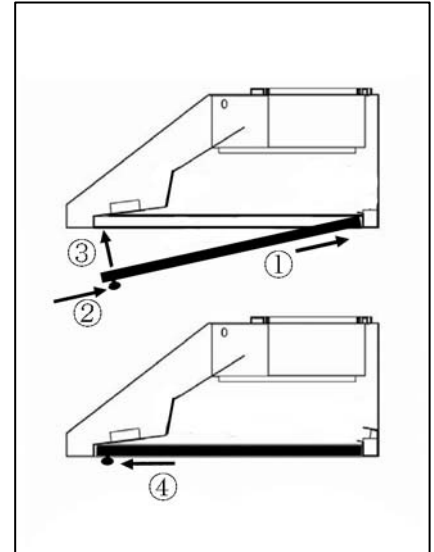


Photo 8



Photo 9



## INSTALLATION SOUS UN ÎLOT

\*\*\* Cette installation est possible uniquement avec l'achat d'un couvre-conduit optionnel (N° de modèle CH1120DC-1).

### Préparation avant Installation

NOTE: AFIN D'ÉVITER QUE VOTRE HOTTE NE SUBISSE DES DOMMAGES, ASSUREZ-VOUS QUE L'OUVERTURE N'EST PAS BLOQUÉE ET EMPÊCHER QUE DES DÉBRIS NE PENÈTRE DANS L'OUVERTURE DES CONDUITS.

- Déterminer l'emplacement du conduit d'aération de la hotte vers l'extérieur. Référez-vous à la Photo 10.
  - Une canalisation droite, courte et dirigée permettra à la hotte de s'exécuter plus efficacement.
  - Lorsque possible, diminuer le nombre de transitions, coudes et longueurs. Les changements de direction affecteront la performance de votre hotte.
  - Connecter temporairement la hotte afin d'en vérifier le fonctionnement avant de procéder à l'installation finale.
  - Retirer la pellicule protectrice de la hotte (s'il y a lieu).
  - Utilisez du ruban adhésif pour sceller les joints entre les sections de tuyau.
- À l'aide des références du Tableau 2 et des mesures de la page 20-22, déterminer la hauteur du soutien de bois supplémentaire. Voir Photo 11.

### Vent option installation

**⚠ AVERTISSEMENT : POUR ÉVITER TOUT DOMMAGE À LA HOTTE, IL FAUT EMPÊCHER LES DÉBRIS DE PÉNÉTRER DANS L'OUVERTURE DE VENTILATION.**

1. L'option d'évacuation exigée. Certains écrous d'installation sont déjà pré-attachés à la hotte. Référez-vous à la Photo 16. Utilisez le Paquet d'Écrous {J} avec les écrous pré-attachés pour l'installation du montage mural.
2. Pour l'installation d'un évent rond de 6 pouces seulement :
  - L'échappement de 6 pouces y est déjà attaché. (Photo 12) Alignez et sécurisez le collier plastique rond de 6 pouces {F} aux écrous de l'hotte. Suivez les instructions de l'Étape 5 pour attacher les Supports de Montage de l'hotte {K} et le support de couvercle du conduit {L} (Photo 16)

Photo 10

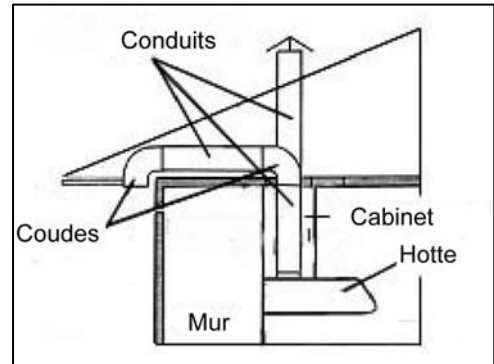


Photo 11

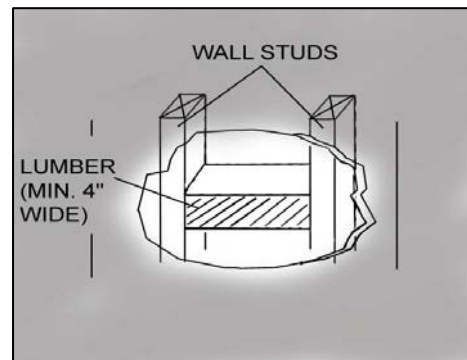


Photo 12

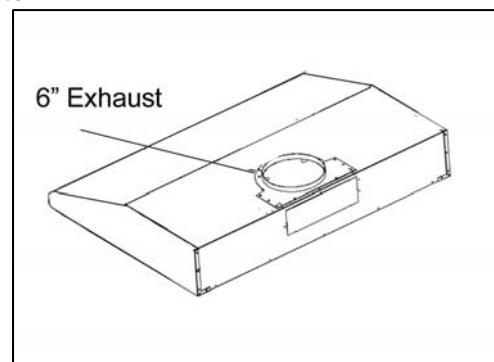
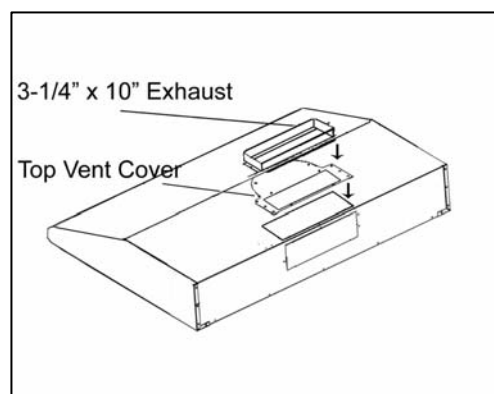


Photo 13



3. Pour l'installation de l'évent supérieur 3-1/4 po x 10 po seulement :

- Redirez l'échappement de 6 pouces attaché et jetez. (Photo 12) Gardez 13 écrous pour installer l'échappement 3-1/4 po x 10 po et le couvercle de l'évent.
- Alignez et sécurisez le Couvercle Supérieur de l'Évent {E} et l'Échappement 3-1/4 po x 10 po {D} utilisant 14 écrous (13 provenant de l'échappement 6 pouces). (Photo 13) Sautez à l'Étape 5 pour attacher les Supports de Montage de l'hotte {K} et le support de couvercle du conduit {L} utilisant 14 écrous (13 écrous pris de l'échappement 6 pouces). Photo 16.

4. Pour l'installation de l'évent arrière 3-1/4 po x 10 po seulement :

- Redirez l'échappement de 6 pouces attaché et jetez. (Photo 12) Gardez 13 écrous pour installer les couvercles de l'évent.
- Redirez le knockout de conduit à l'arrière et jetez. (Photo 14) Devisez le couvercle 3-1/4 po x 10 po de l'évent de l'échappement arrière (situez au sein de hotte); gardez les écrous pour installer l'échappement 3-1/4 po x 10 po.
- Alignez et sécurisez le couvercle de l'évent supérieur {E} et le couvercle de l'évent 3-1/4 po x 10 po (retiré de l'échappement arrière) utilisant 14 écrous (13 provenant de l'échappement 6 pouces). (Figure 14) Sautez à l'Étape 5 pour attacher les Supports de Montage de l'hotte {K} et le support de couvercle du conduit {L} utilisant 14 écrous (13 écrous pris de l'échappement 6 pouces). Photo 16
- Attachez l'échappement 3-1/4 po x 10 po {D} à l'échappement arrière (situez au sein de hotte) utilisant 10 écrous provenant du couvercle de l'évent. (Photo 15)

Photo 14

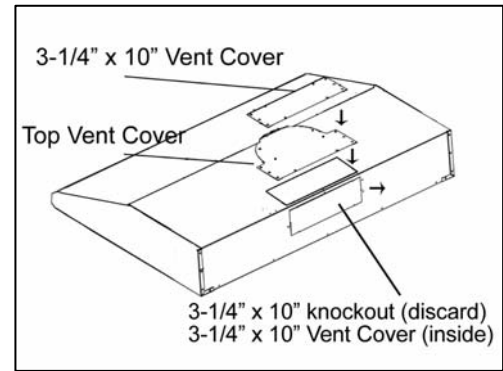


Photo 15

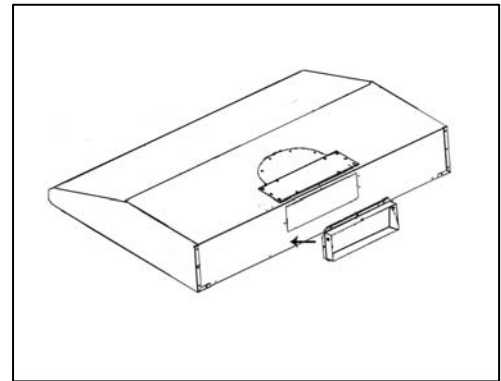
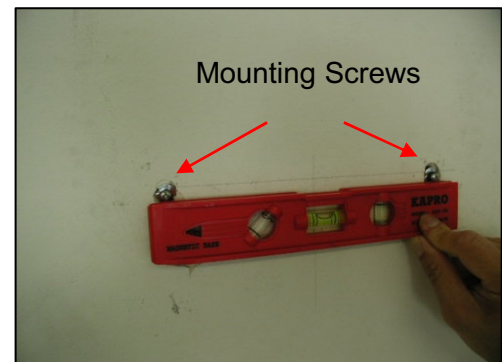


Photo 16



Photo 17





## Installation de la hotte

**⚠ AVERTISSEMENT:** S'IL FAUT DÉPLACER UNE CUISINIÈRE ÉLECTRIQUE POUR INSTALLER LA HOTTE, COUPER D'ABORD L'ALIMENTATION ÉLECTRIQUE À CETTE CUISINIÈRE PAR LE TABLEAU DE DISTRIBUTION PRINCIPAL. COUPER LE GAZ AVANT DE DÉPLACER UNE CUISINIÈRE À GAZ. Utilisez un revêtement protecteur pour protéger la surface de cuisson et / ou le revêtement de comptoir.

5. Sécurisez le Support de Montage de la hotte {K} et le Support du Couvercle du Conduit {L} au dessus de l'hotte avec écrous pré-attachés. Utilisez les écrous 3/16 po x 3/8 po {J} pour Support de Montage de la hotte {K}. (Photo 16)
6. Utilisant les références sur Table 2 et les mesures sur de la page 20-22, marquez le point de nivellement de la hotte. Positionnez deux écrous de montage (non fournis) sur le mur, laissant 1/8 po du mur comme indiqué dans Photo 17.
7. Alignez le Support de Montage de la hotte {K} aux deux écrous sur le mur et accrochez l'hotte sur le mur. Renforcez les écrous pour sécuriser l'hotte au mur.

**⚠ AVERTISSEMENT:** ASSUREZ-VOUS QUE LA HOTTE EST SOLIDEMENT FIXÉE EN PLACE AVANT DE LA RELACHER.

## Branchement à L'alimentation électrique

**⚠ AVERTISSEMENT:** S'il faut déplacer la cuisinière électrique pour installer la hotte, coupez d'abord l'alimentation électrique à la cuisinière par le panneau de service. **COUPEZ LE GAZ AVANT DE DÉPLACER UNE CUISINIÈRE À GAZ. RISQUE DE CHOC ÉLECTRIQUE**

**⚠ CETTE HOTTE DE CUISINIÈRE DOIT ÊTRE FIXÉE ADÉQUATEMENT. ASSUREZ-VOUS DE LE FAIRE PAR UN ÉLECTRICIEN QUALIFIÉ CONFORMÉMENT AUX RÉGLEMENTATIONS NATIONALES ET LOCALES. AVANT DE BRANCHER DES FILS, COUPER LE COURANT ÉLECTRIQUE AU PANNEAU DE SERVICE ET VERROUILLER POUR ÉVITER QUE LE COURANT SOIT REMIS ACCIDENTELLEMENT.**

8. Raccorder les trois fils (noir, blanc et vert) aux fils de la maison et les couvrir avec des capuchons de connexion.
9. S'il est nécessaire de cacher les connexions des fils électriques, enfoncez les fils dans le boîtier de câblage.

Photo 18

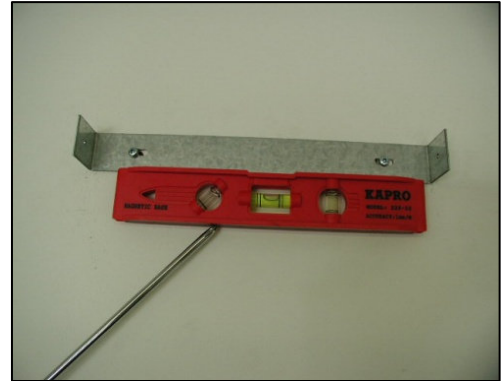
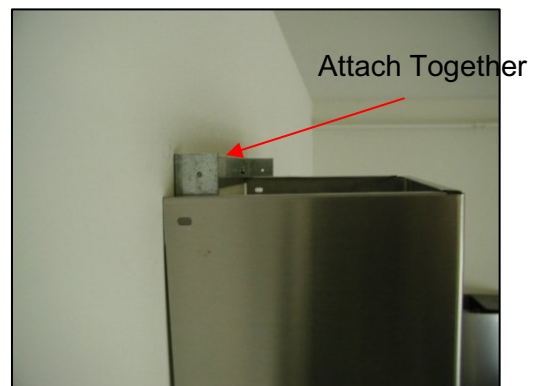


Photo 19





### Installation des conduits

10. Utiliser des tuyaux d'aluminium ou d'acier pour relier le joint de raccordement en plastique de la hotte aux conduits dessus. Utiliser du ruban adhésif pour sceller les joints sûrs et ainsi obtenir une parfaite étanchéité.

### Installation du couvre-conduit

11. Marquez la position du support du montage du couvercle du conduit {M}. Utilisez référence E à partir de Table 2 et mesures de la page 20-22. Attachez et sécurisez le support du montage du couvercle du conduit {M} avec deux écrous (non fournis). (Photo 18) Remarque : Le couvercle de conduit interne couvrira le support du montage du couvercle du conduit.
12. Positionnez le support de conduit entier haut sur la hotte.
13. Sécurisez le couvercle de conduit interne avec deux (3/16 po x 3/8 po) écrous {J} au support de montage du couvercle du conduit. Comme l'indique Photo 19.
14. Fermez le couvercle de conduit externe au support du couvercle du conduit {L} avec quatre écrous de (4x6 mm) {J}.

### Installation des accessoires (For Baffle Filter models)

15. Placer les filtres déflecteurs sous la hotte. Voir Photo 20.

### Installation des accessoires (For Oil Container models)

16. Placer les récupérateurs de graisse (ronds) sous chacun sous les grilles de sécurité. Tourner dans le sens des aiguilles d'une montre jusqu'à ce qu'ils soient fermement en place. Référez-vous à la Photo 21.
17. Faire glisser le récupérateur de graisses ovales dans la fente de plastique derrière chaque grilles de sécurité comme indiqué dans à la photo 22.

### Assemblage final

18. Démarrer la hotte par la commande marche/arrêt (ON/OFF). Vérifier le fonctionnement de toutes les lampes et du ventilateur.
19. Remettre ce manuel au propriétaire pour consultation future.

Photo 20

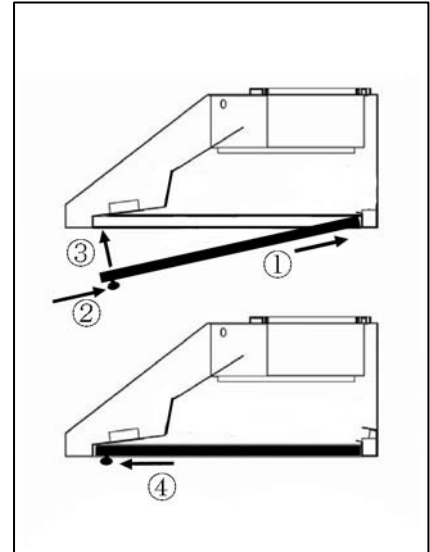


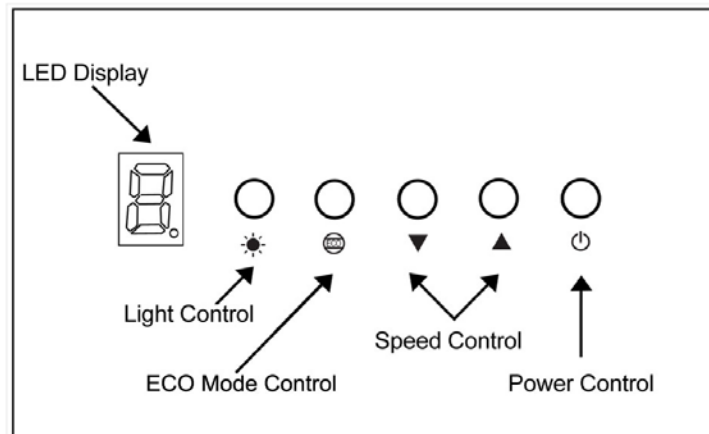
Photo 21



Photo 22



## MODE D'EMPLOI




Remarque: Pour de meilleurs résultats, mettez les ventilateurs au cycle avant toute préparation ou cuisson et gardez les ventilateurs tournant le long de la cuisson. Ajustez la vitesse selon vos besoins.

### Commande d’Alimentation électrique.


Appuyez sur la commande Marche/Arrêt (On/Off) pour allumer ou éteindre la hotte.



### Commande de vitesses

Le ventilateur démarrera à la troisième vitesse. Appuyez le bouton  pour diminuer la

vitesse. Appuyez le bouton  pour augmenter la vitesse.



Pour activer la commande d’arrêt un retard de 3 minutes, pressez et maintenez le

bouton . Lorsque la commande d’arrêt de retard a été activée, l’Affichage LED flashera et la vitesse du ventilateur changera à la troisième vitesse. Le niveau de vitesse peut être ajusté

en appuyant  ou  pendant une durée de compte à rebours de trois minutes.

Arrêtez le ventilateur immédiatement, appuyez le bouton  une deuxième fois.

### Commande de l’éclairage

Appuyez  pour allumer les ampoules LED. Chaque appui sur le bouton  tournera l’intensité des ampoules de Clair, Clair Moyen, Sombre, OFF.

Les ampoules sont contrôlées indépendamment à partir du Contrôle d’Électricité et l’Arrêt de retard. Arrêtez l’électricité, n’éteindra pas les ampoules.


## Commande ECO



La fonction ECO sert à mettre la hotte sur QuietMode™ pendant 10 minutes à chaque heure afin d'éliminer tout excès d'humidité, de particules microscopiques et d'odeurs. Cela permet à la cuisine de garder une bonne qualité d'air.

La fonction ECO est une fonction indépendante de la fonction du Contrôle d'Électricité et l'Arrêt de retard.

Vous pouvez activer ECO lorsque l'appareil est sous ou hors tension. Pressez et maintenez le




bouton jusqu'à ce que l'icône  apparaisse brièvement dans l'Affichage LED. Si le ventilateur est en marche, vous pouvez continuer de l'utiliser, utilisez le mode arrêt de retard ou arrêter le ventilateur sans désactiver le mode ECO. Lorsque le ventilateur est éteint et que le

mode ECO est activé, l'icône  apparaîtra dans l'Affichage LED. L'icône  flashera pendant que le mode ECO marche sur QuietMode™.

Pour désactiver, pressez et maintenez le bouton  jusqu'à ce que l'icône



n'apparaisse plus dans l'Affichage LED.

Remarque : Presser le bouton  lorsque le mode ECO est actif, activera la fonction régulière du ventilateur et la vitesse sera affichée dans l'Affichage LED.

Remarque : Vous voudriez ouvrir les portes et fenêtres pour créer de l'air suffisant lorsque le mode ECO est activé.

## **ENTRETIEN- NETTOYAGE**

Pour favoriser un rendement optimal, nettoyer régulièrement les surfaces de la hotte et les filtres déflecteurs.

### **Nettoyage Des Surfaces De La Hotte**

**AVERTISSEMENT : NE JAMAIS EMPLOYER DE NETTOYANTS OU LINGES ABRASIFS, OU ENCORE DE LAINES À RÉCURER.**

\*\*\* Un entretien fréquent aidera à conserver une belle apparence à la hotte.

1. Utiliser seulement du savon doux ou du détergent. Sécher les surfaces avec un chiffon doux.
2. Si la hotte est tachée (hotte en acier inoxydable), utiliser un nettoyant pour acier inoxydable pour nettoyer les surfaces de la hotte. Éviter de mettre du nettoyant sur le panneau de commande. Suivre les directives du nettoyant pour acier inoxydable. **Avertissement : Ne jamais laisser de nettoyant durant une longue période de temps, puisque ceci pourrait endommager la finition de la hotte.** Utiliser un chiffon doux pour enlever tout résidu de solution nettoyante, frotter légèrement toutes taches tenaces. Sécher la hotte avec un chiffon doux. Sécher la hotte avec un chiffon doux.
3. NE PAS laisser les dépôts s'accumuler durant de longues périodes de temps.
4. NE PAS utiliser de laines ou de brosses à récurer ordinaires. Des particules d'acier peuvent adhérer à la surface et la faire rouiller.
5. NE PAS permettre à des solutions salines, des désinfectants, des javellisants ou des agents nettoyants de rester en contact avec l'acier inoxydable durant de longues périodes. Plusieurs de ces nettoyants contiennent des produits chimiques pouvant causer du tort à l'acier inoxydable. Après tout contact de ce type, rincer à l'eau et essuyer avec un chiffon doux.

### **Nettoyage Des Filtres Déflecteurs Et Du Récupérateur à Graisse**

**AVERTISSEMENT : VIDER LES FILTRES DÉFLECTEURS ET LE RÉCUPÉRATEUR À GRAISSE AVANT QU'IL N'Y AIT TROP D'ACCUMULATION.**

1. Retirer les filtres déflecteurs et le récupérateur à graisse.
2. À l'aide d'une éponge, laver dans une eau chaude savonneuse. Sécher entièrement avant de remettre en place.

**AVERTISSEMENT: BORDS COUPANTS**

(Note : les filtres peuvent être nettoyés en toute sécurité dans le haut du lave-vaisselle)

### **POUR NETTOYER LES RECUPERATEURS DE GRAISSES , GRILLES DE SECURITE, ET LAMES DU VENTILATEUR**

**AVERTISSEMENT : VIDER LES RÉCUPÉRATUEURS DE GRAISSSES AVANT QU'ILS NE DÉBORDENT.**

1. Nettoyage Normal :
  - Vaporiser un dégraisseur doux dans le ventilateur et mettre la hotte en marche à haute vitesse. Le résidu de liquide s'accumulera dans les récupérateurs de graisses.
2. Nettoyage des récupérateurs de graisses :
  - Retirer les récupérateurs de graisses (ronds) en les tournants en sens inverse des aiguilles d'une montre.
  - Retirer les récupérateurs de graisses (ovales) en les faisant glisser vers l'avant.
  - Lavez-les à l'eau chaude savonneuse. Séchez-les complètement avant de les remettre en place.
  - Peuvent être récuré au lave-vaisselle en les déposants sur le tiroir du haut lors du cycle normal de nettoyage.
3. Nettoyage des grilles de sécurité :
  - Retirer la vis maintenant les grilles en place ensuite les faire glisser.
  - Lavez-les à l'eau chaude savonneuse. Séchez-les complètement avant de les remettre en place complètement avant retour dans place.
  - Peuvent être récuré au lave-vaisselle en les déposants sur le tiroir du haut lors du cycle normal de nettoyage.

## SPÉCIFICATIONS

<b>MODÈLE / TAILLE</b>	For Baffle Filter Models: CH2230SQB-1 (30 po) ; CH2236SQB-1 (36 po) CH2730SQB-1 (30 po) ; CH2736SQB-1 (36 po) ; CH2742SQB-1 (42 po) ; CH2748SQB-1 (48 po) For Oil Container Models: CH2230SQ-1 (30 po) ; CH2236SQ-1 (36 po)		
<b>COULEUR</b>	18-Gauge Commercial Grade Stainless Steel		
<b>CONSOMMATION</b>	232W / 2.21A (30 po , 36 po) 235W / 2.23A (42 po , 48 po)		
<b>NOMBRE DE MOTEURS</b>	2		
<b>DESIGN</b>	Fini satiné sans joints		
<b>TYPE DE VENTILATEUR</b>	Pale de turbine double		
<b>ÉVACUATION</b>	Sur le dessus 6 po rond 3-1/4 po x 10 po Rectangulaire A l'arrière 3-1/4 po x 10 po Rectangulaire		
<b>COMMANDES</b>	Commandes électroniques (5 boutons) – Commande d'arrêt d'un retard de 3 minutes Commande ECO		
<b>COMMANDE ECO</b>	La fonction ECO sert à mettre la hotte sur QuietMode™ pendant 10 minutes à chaque heure afin d'éliminer tout excès d'humidité, de particules microscopiques et d'odeurs. Cela permet à la cuisine de garder une bonne qualité d'air		
<b>LAMPES</b>	2 ampoules LED de 3W (30 po , 36 po ) 3 ampoules LED de 3W (42 po , 48 po)		
<b>DIMENSIONS DE HOTTE (W x D x H)</b>	(CH2230SQB-1 and CH2230SQ-1) 29-3/4 po x 22 po x 5-7/8 po (CH2236SQB-1 and CH2236SQ-1) 35-3/4 po x 22 po x 5-7/8 po  (CH2730SQB-1) 29-3/4 po x 22 po x 7 po (CH2736SQB-1) 35-3/4 po x 22 po x 7 po (CH2742SQB-1) 41-3/4 po x 22 po x 7 po (CH2748SQB-1) 47-3/4 po x 22 po x 7 po		
<b>ACCESSOIRES EN OPTION (W x D x H)</b>	1) <b>Trousse initiale - N° de modèle CH1120DC-1</b> (CH1120DC-1) 11-13/16 po x 10-7/16 po x (22 po ~ 41 po) 2) <b>Panneau arrière en acier inoxydable 30 po</b> (SSP30) 30 po x 1/10 po x 32 po 3) <b>Panneau arrière en acier inoxydable 36 po</b> (SSP36) 36 po x 1/10 po x 32 po		
<b>POIDS DE LA HOTTE (lb)</b>		<u>NET</u>	<u>BRUT</u>
	CH2230SQB-1 (30 po)	37.5	42.0
	CH2236SQB-1 (36 po)	40.0	46.0
	CH2230SQ-1 (30 po)	34.0	39.5
	CH2236SQ-1 (36 po)	37.5	44.0
	CH2730SQB-1 (30 po)	40.5	46.0

CH2736SQB-1 (36 po)	44.0	50.5
CH2742SQB-1 (42 po)	50.5	61.5
CH2748SQB-1 (48 po)	55.0	75.0

**For Baffle Filter Models:**

<b>VITESSE</b>	QuietMode™	1	2	3	4	5
<b>CAPACITÉ D'AIR (CFM)</b>	280	350	420	510	610	720
<b>SONE* (DB)</b>	1.0 (40)	1.4 (45)	2.8 (55)	3.5 (58)	4.2 (61)	4.5 (62)

**For Oil Container Models:**

<b>VITESSE</b>	QuietMode™	1	2	3	4	5
<b>CAPACITÉ D'AIR (CFM)</b>	300	380	460	560	670	800
<b>SONE* (DB)</b>	1.0 (40)	1.5 (46)	3.0 (56)	3.5 (58)	4.5 (62)	4.8 (63)

\* Un sone équivaut au son d'un réfrigérateur à 40 décibels.

\*\* Les spécifications sont sujettes à changement sans préavis.

## MESURES ET SCHÉMAS

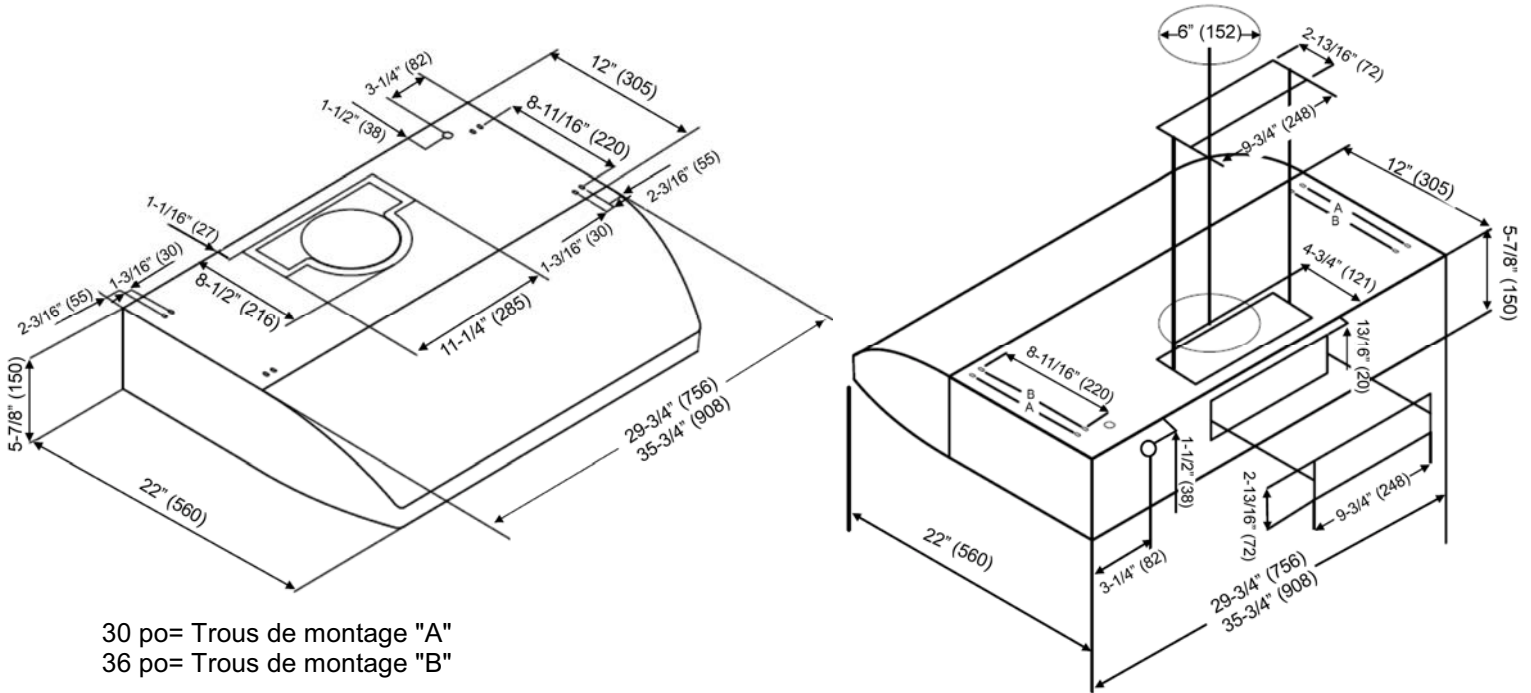
\*\*\* Toutes les mesures en pouces sont converties à partir de millimètres. Les mesures en pouces sont estimées.

\*\*\* Toutes les mesures entre parenthèses sont en millimètres.

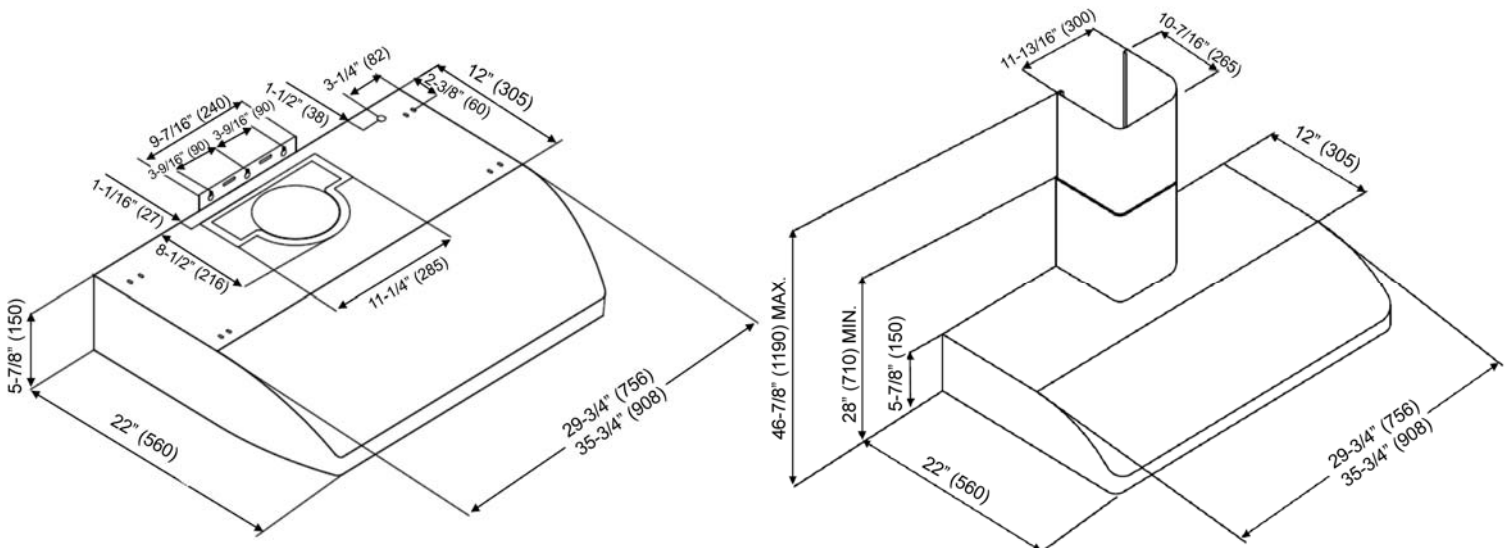
N° DE MODÈLE

CH2230SQB-1 (30 po) / CH2236SQB-1 (36 po)  
CH2230SQ-1 (30 po) / CH2236SQ-1 (36 po)

### INSTALLATION SOUS UNE ARMOIRE



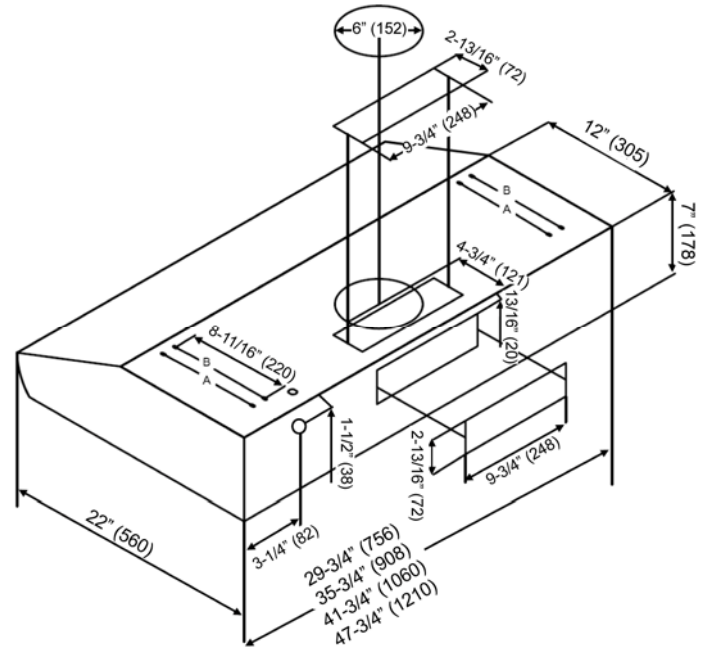
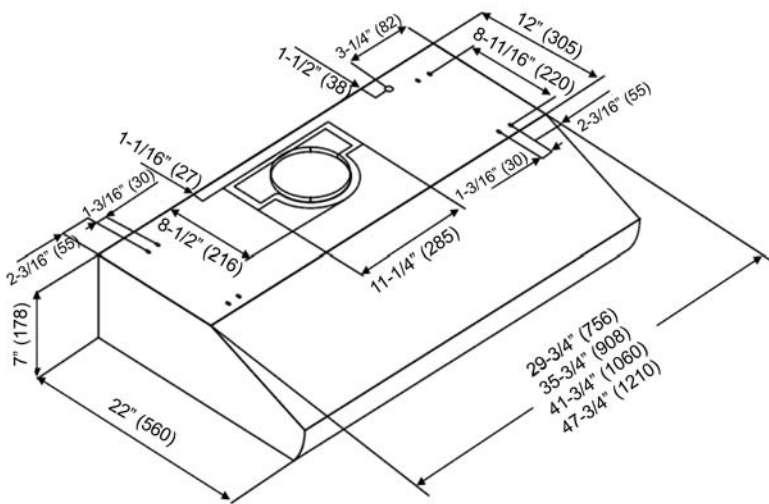
### INSTALLATION AU-DESSUS D'UN ÎLOT (AVEC COUVRE-CONDUIT EN OPTION)



N° DE MODÈLE

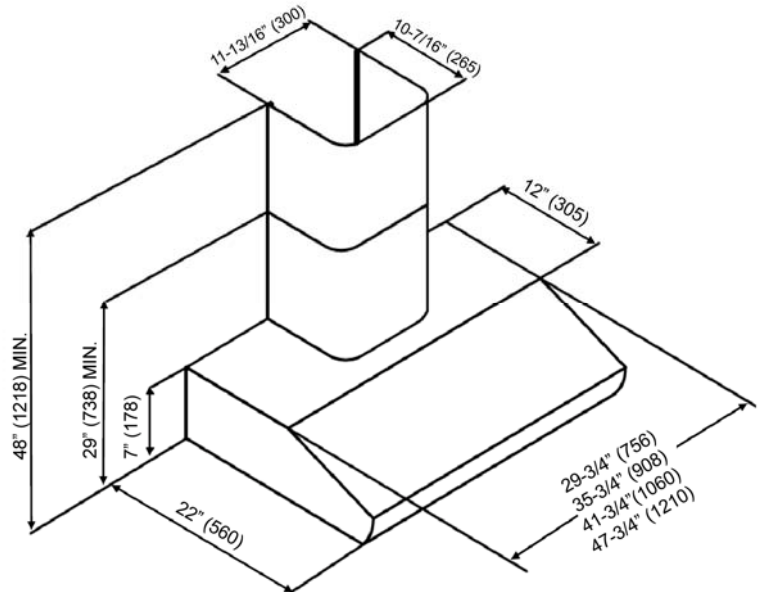
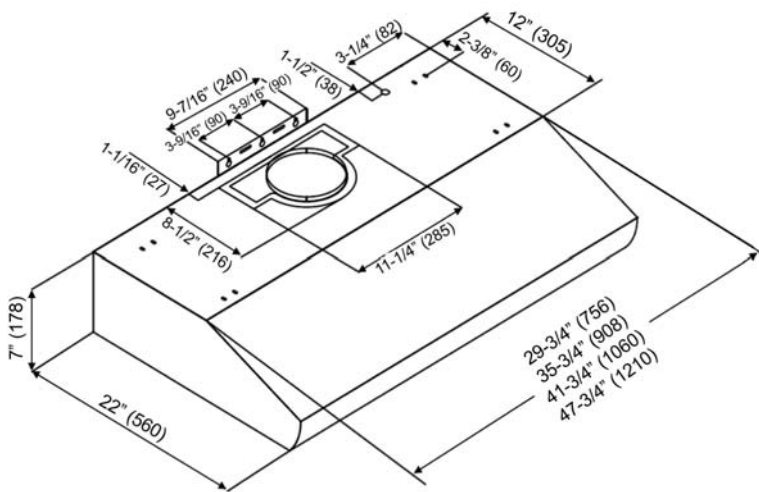
CH2730SQB-1 (30 po) / CH2736SQB-1 (36 po)  
 CH2742SQB-1 (42 po) / CH2748SQB-1 (48 po)

**INSTALLATION SOUS UNE ARMOIRE**



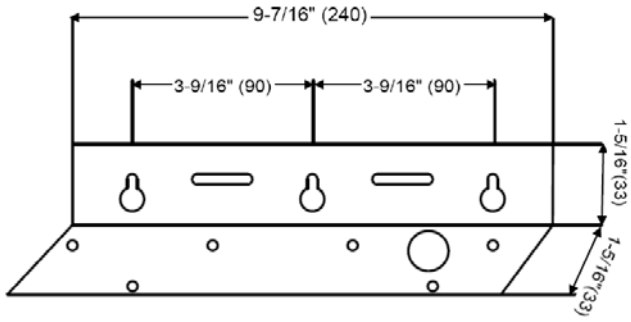
30 po = Trous de montage perçage " A "  
 36 po, 42 po, 48 po = Trous de montage "A et B "

**INSTALLATION AU-DESSUS D'UN ÎLOT (AVEC COUVRE-CONDUIT EN OPTION)**

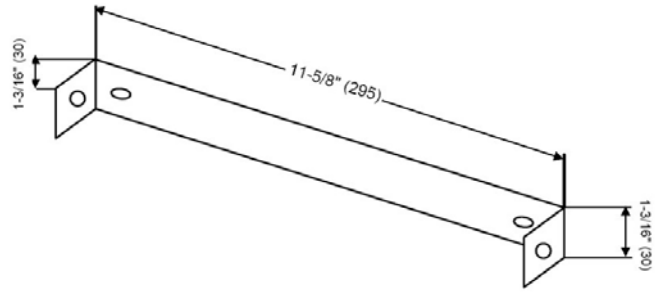




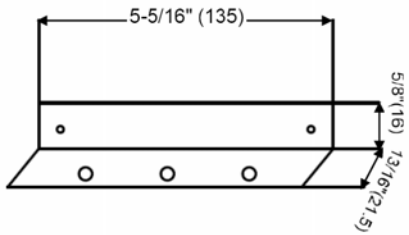
\*\*\* Support de fixation – hotte



\*\*\* Support de fixation – couvre-conduit



\*\*\* Support du couvercle du conduit



## LISTE DES PIÈCES

For Oil Container models only.

N° DE MODÈLE      CH2230SQ-1 (30po)  
                          CH2236SQ-1 (36po)

N°	DESCRIPTION	MODÈLE/FORMAT	N° DE PIÈCE
1	l'échappement de 6 po		L1-0241-0001-A
2	Couvercle Supérieur de l'Évent		L1-0241-0001-B
3	l'échappement 3-1/4 po x 10 po		L1-0241-0002-A
4	Couvercle 3-1/4 po x 10 po		L1-0241-0002-B
5	Collier plastique rond de 6 po		L1-0505-0002
6	Lampe LED (3W)		L1-0403-0301
7	Tableau de commandes (contrôle)		L1-0501-6001
8	Condensateur (1.5uf+2.0uf / 350V)		L1-0401-0120-6
9	Processeur		L1-0404-6001
10	Moteur (102B)		L1-0301-0120-102B
11	Moteur (102A)		L1-0301-0120-102A
12	Pale de turbine (747B)		L1-0251-0747-B
13	Pale de turbine (747A)		L1-0251-0747-A
14	Plastique Récupérateurs de graisse		L1-0502-0102
15	Panneau Pare éclaboussures	CH2230SQ-1 (30 po)	B101-1630-09
		CH2236SQ-1 (36 po)	B101-1636-09
16	Couvercle de plastique de ventilateur		L1-0251-0001
17	Récipients à graisse (ovales)		L1-0504-0101
18	Grilles de sûreté		L1-0602-0101
19	Écran protecteur à emboîter		L1-0705-0001
20	Récipients à graisse (ronds)		L1-0503-0101

### Couvre conduit Optionnel

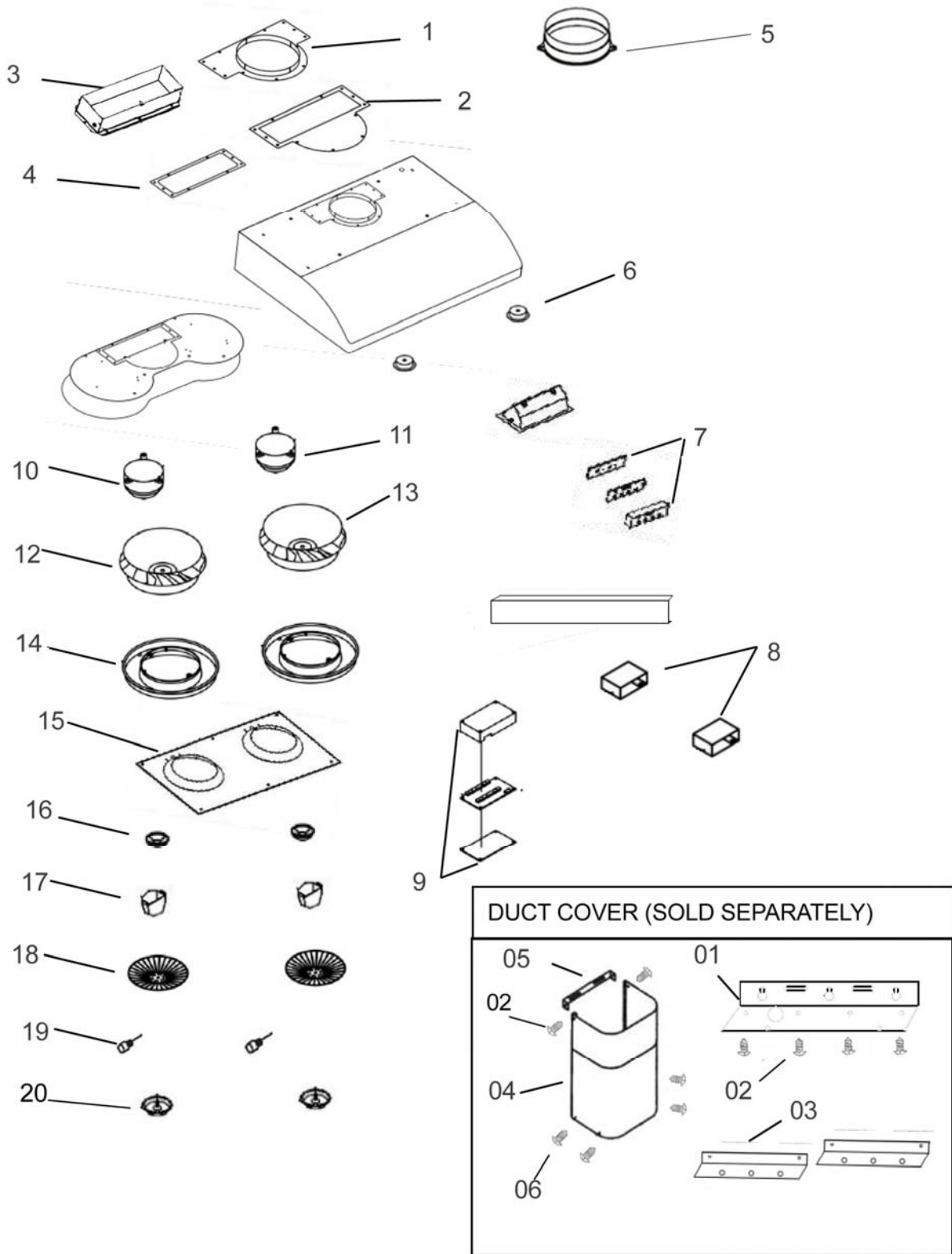
N°	DESCRIPTION	MODÈLE/FORMAT	N° DE PIÈCE
01	Support de fixation de la hotte		L1-0221-1630
02	Vis (3/16 po x 3/8 po) x 6		L1-0707-0002
03	Support du couvercle du conduit x 2		L1-0208-1630
04	Couvre conduit	CH1120DC-1	12-16300-61
05	Support de fixation pour couvre conduit		L1-0203-1630
06	Vis (TS 4 x 6mm) x 4		L1-0708-0002

For Oil Container models only.

N° DE MODÈLE

CH2230SQ-1 (30 po)

CH2236SQ-1 (36 po)



For Baffle Filter models only.

N° DE MODÈLE CH2230SQB-1 (30 po)  
CH2236SQB-1 (36 po)

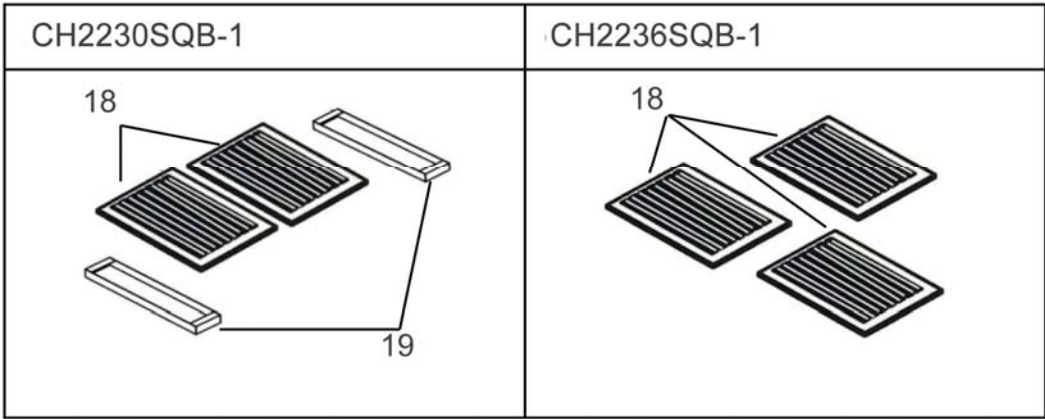
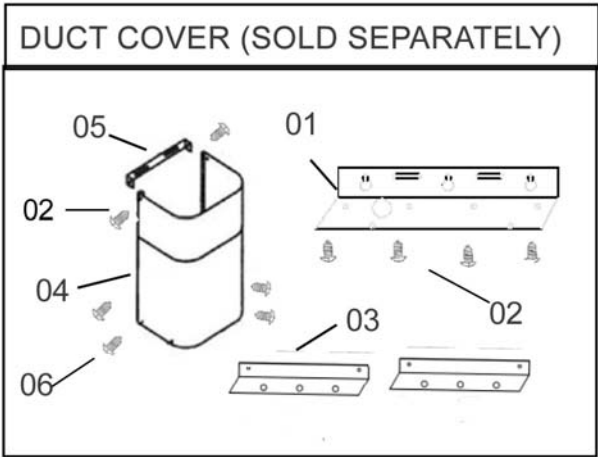
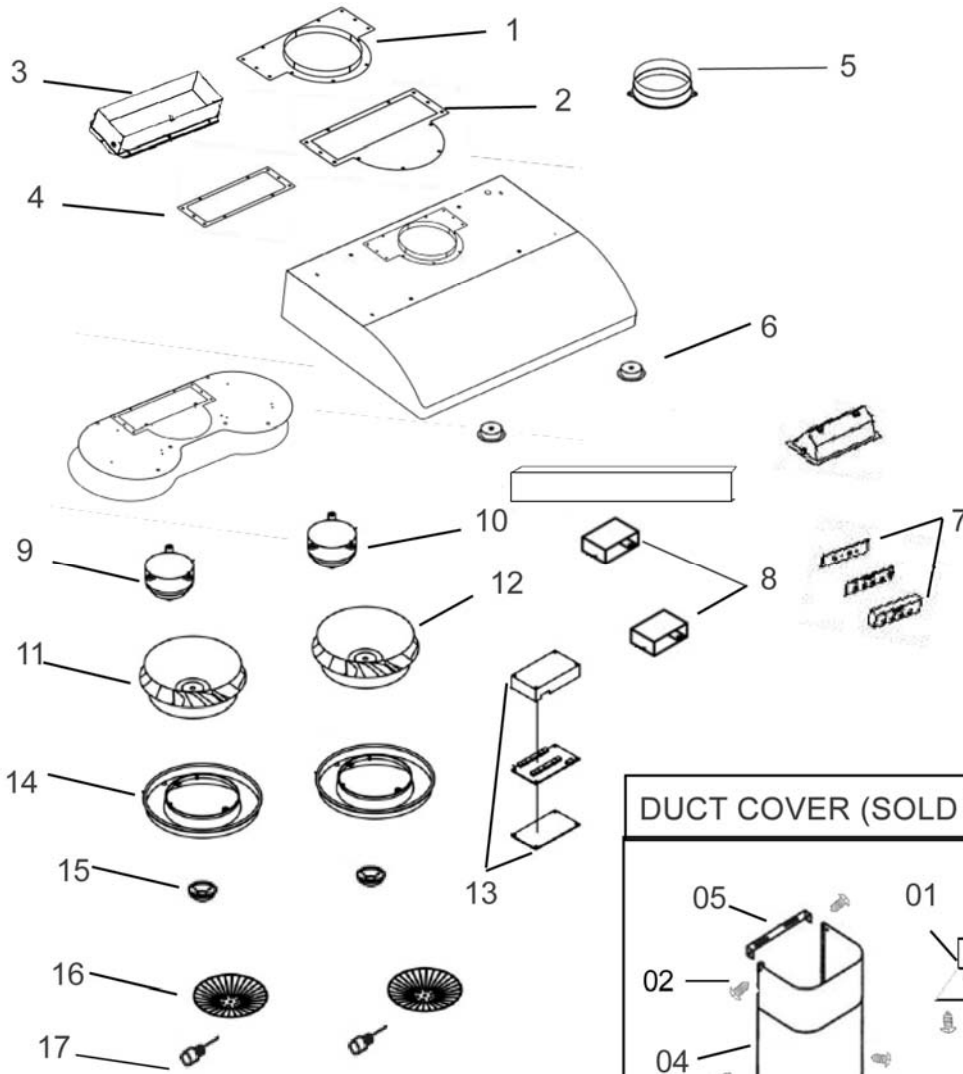
N°	DESCRIPTION	MODÈLE/FORMAT	N° DE PIÈCE
1	l'échappement de 6 po		L1-0241-0001-A
2	Couvercle Supérieur de l'Évent		L1-0241-0001-B
3	l'échappement 3-1/4 po x 10 po		L1-0241-0002-A
4	Couvercle 3-1/4 po x 10 po		L1-0241-0002-B
5	Collier plastique rond de 6 po		L1-0505-0002
6	Lampe LED (3W)		L1-0403-0301
7	Tableau de commandes (contrôle)		L1-0501-6001
8	Condensateur (1.5uf+2.0uf / 350V)		L1-0401-0120-6
9	Moteur (102B)		L1-0301-0120-102B
10	Moteur (102A)		L1-0301-0120-102A
11	Pale de turbine (747B)		L1-0251-0747-B
12	Pale de turbine (747A)		L1-0251-0747-A
13	Processeur		L1-0404-6001
14	Plastique Récupérateurs de graisse		L1-0502-0101
15	Couvercle de plastique de ventilateur		L1-0251-0001
16	Grilles de sûreté		L1-0602-0101
17	Écran protecteur à emboîter		L1-0705-0001
18	Filtre déflecteur		L1-0214-0122
19	Panneau pare-éclaboussures	CH2230SQB-1 (30 po)	B101-2230-15

#### Couvre-conduit optionnel

N°	DESCRIPTION	MODÈLE/FORMAT	N° DE PIÈCE
01	Support de fixation de la hotte		L1-0221-1630
02	Vis (3/16 po x 3/8 po) x 6		L1-0707-0002
03	Support du couvercle du conduit x 2		L1-0208-1630
04	Couvre conduit	CH1120DC-1	12-16300-61
05	Support de fixation pour couvre conduit		L1-0203-1630
06	Vis (TS 4 x 6mm) x 4		L1-0708-0002

For Baffle Filter models only.

MODEL NO.: CH2230SQB-1 (30 po)  
 CH2236SQB-1 (36 po)



For Baffle Filters models only.

N° DE MODÈLE CH2730SQB-1 (30 po)  
CH2736SQB-1 (36 po)

N°	DESCRIPTION	MODÈLE/FORMAT	N° DE PIÈCE
1	l'échappement de 6 po		L1-0241-0001-A
2	Couvercle Supérieur de l'Évent		L1-0241-0001-B
3	l'échappement 3-1/4 po x 10 po		L1-0241-0002-A
4	Couvercle 3-1/4 po x 10 po		L1-0241-0002-B
5	Collier plastique rond de 6 po		L1-0505-0002
6	Lampe LED (3W)		L1-0403-0301
7	Tableau de commandes (contrôle)		L1-0501-6001
8	Condensateur (1.5uf+2.0uf / 350V)		L1-0401-0120-6
9	Moteur (102B)		L1-0301-0120-102B
10	Moteur (102A)		L1-0301-0120-102A
11	Pale de turbine (747B)		L1-0251-0747-B
12	Pale de turbine (747A)		L1-0251-0747-A
13	Processeur		L1-0404-6001
14	Plastique Récupérateurs de graisse		L1-0502-0101
15	Couvercle de plastique de ventilateur		L1-0251-0001
16	Grilles de sûreté		L1-0602-0101
17	Écran protecteur à emboîter		L1-0705-0001
18	Filtre défecteur		L1-0214-0122
19	Panneau pare-éclaboussures	CH2730SQB-1 (30 po)	B101-2230-15

#### Couvre-conduit optionnel

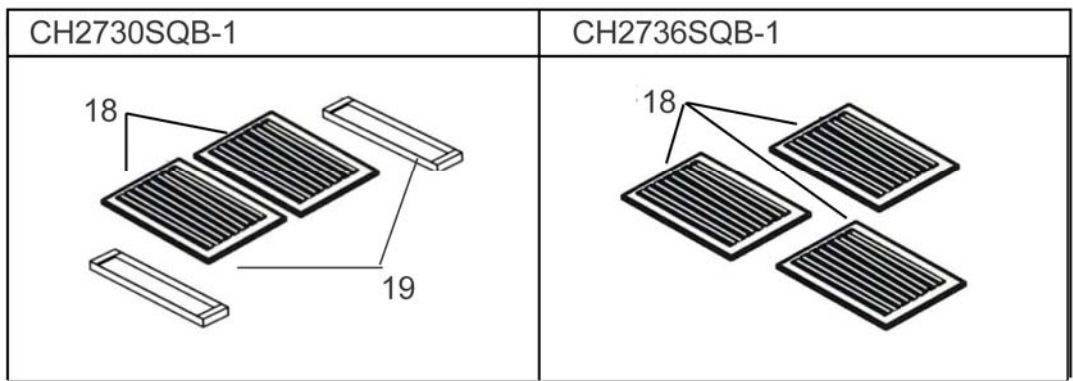
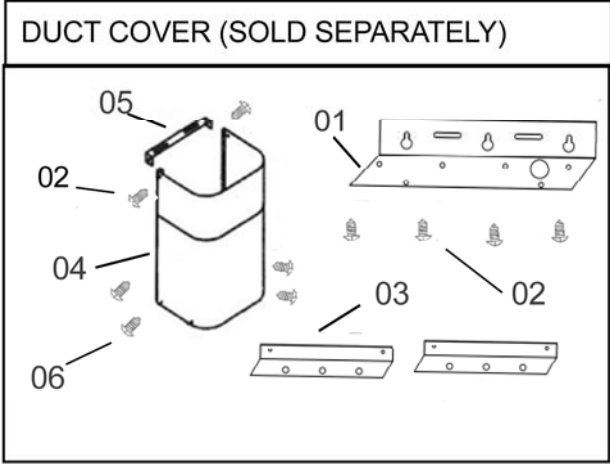
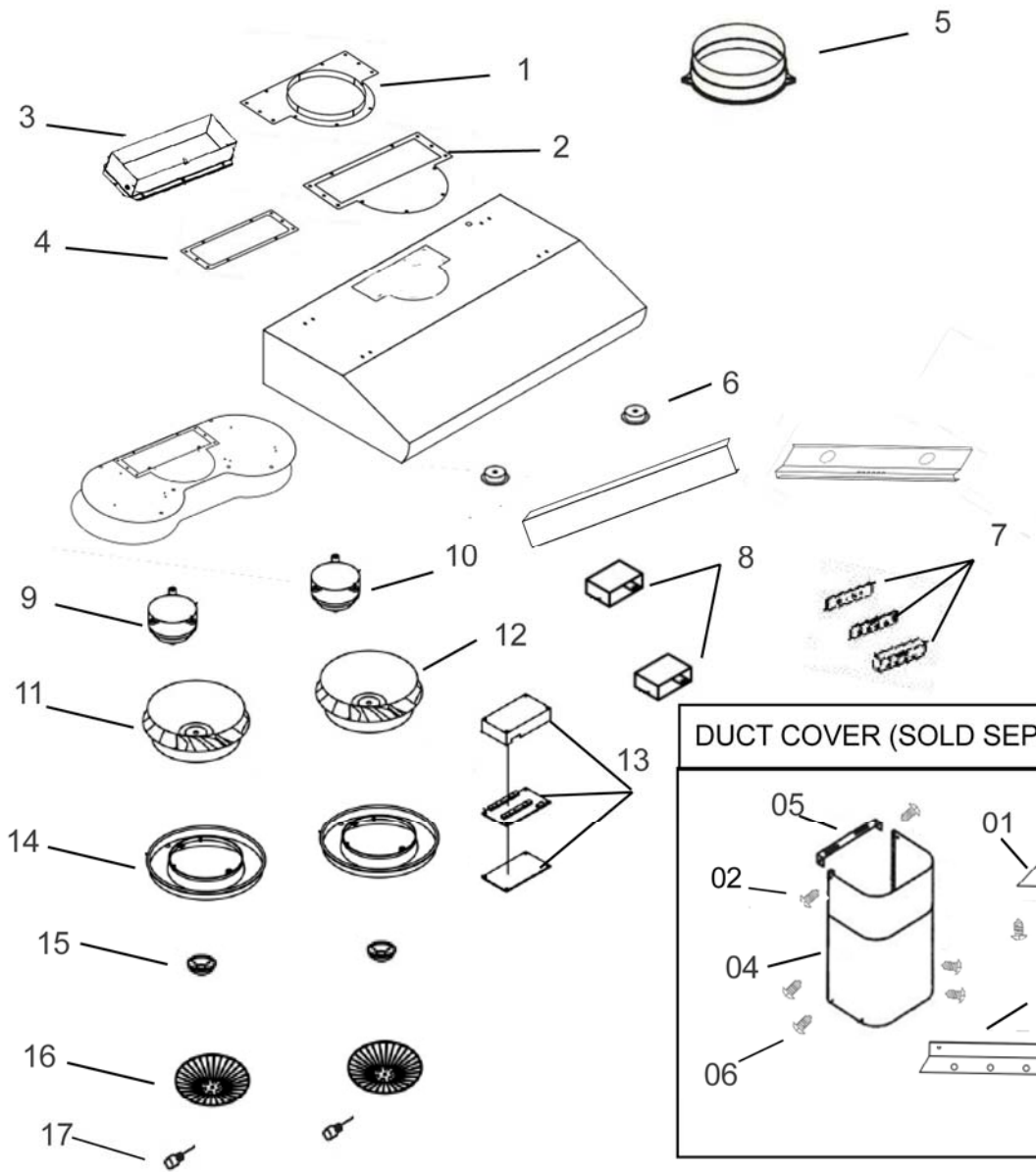
N°	DESCRIPTION	MODÈLE/FORMAT	N° DE PIÈCE
01	Support de fixation de la hotte		L1-0221-1630
02	Vis (3/16 po x 3/8 po) x 6		L1-0707-0002
03	Support du couvercle du conduit x 2		L1-0208-1630
04	Couvre conduit	CH1120DC-1	12-16300-61
05	Support de fixation pour couvre conduit		L1-0203-1630
06	Vis (TS 4 x 6mm) x 4		L1-0708-0002

For Baffle Filter models only.

N° DE MODÈLE

CH2730SQB-1 (30 po)

CH2736SQB-1 (36 po)



For Baffle Filters models only.

N° DE MODÈLE CH2742SQB-1 (42 po)  
CH2748SQB-1 (48 po)

N°	DESCRIPTION	MODÈLE/FORMAT	N° DE PIÈCE
1	l'échappement de 6 po		L1-0241-0001-A
2	Couvercle Supérieur de l'Évent		L1-0241-0001-B
3	l'échappement 3-1/4 po x 10 po		L1-0241-0002-A
4	Couvercle 3-1/4 po x 10 po		L1-0241-0002-B
5	Collier plastique rond de 6 po		L1-0505-0002
6	Lampe LED (3W)		L1-0403-0301
7	Tableau de commandes (contrôle)		L1-0501-6001
8	Condensateur (1.5uf+2.0uf / 350V)		L1-0401-0120-6
9	Moteur (102B)		L1-0301-0120-102B
10	Moteur (102A)		L1-0301-0120-102A
11	Pale de turbine (747B)		L1-0251-0747-B
12	Pale de turbine (747A)		L1-0251-0747-A
13	Processeur		L1-0404-6001
14	Plastique Récupérateurs de graisse		L1-0502-0101
15	Couvercle de plastique de ventilateur		L1-0251-0001
16	Grilles de sûreté		L1-0602-0101
17	Écran protecteur à emboîter		L1-0705-0001
18	Filtre défecteur		L1-0214-0122
19	Panneau pare-éclaboussures	CH2742SQB-1 (42 po)	B101-2742-15

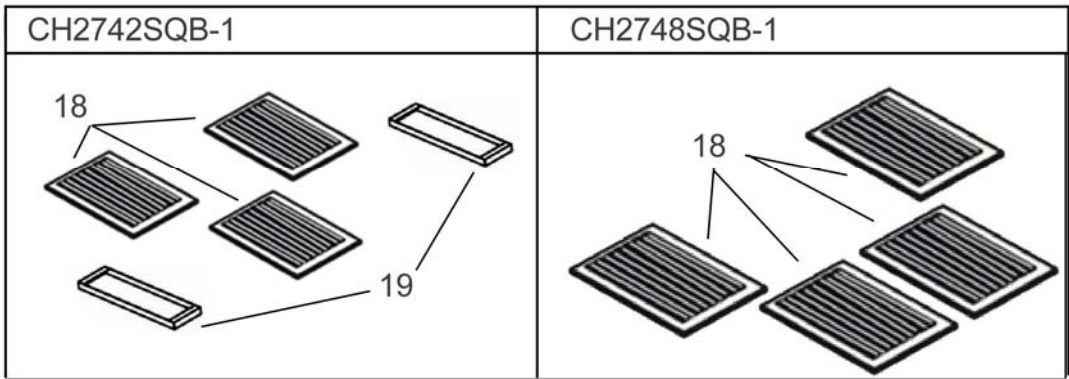
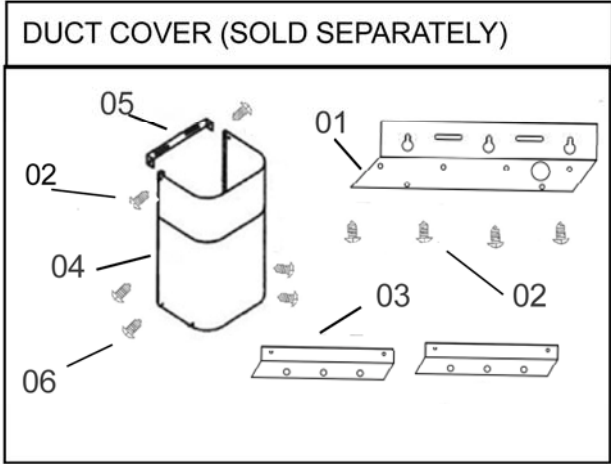
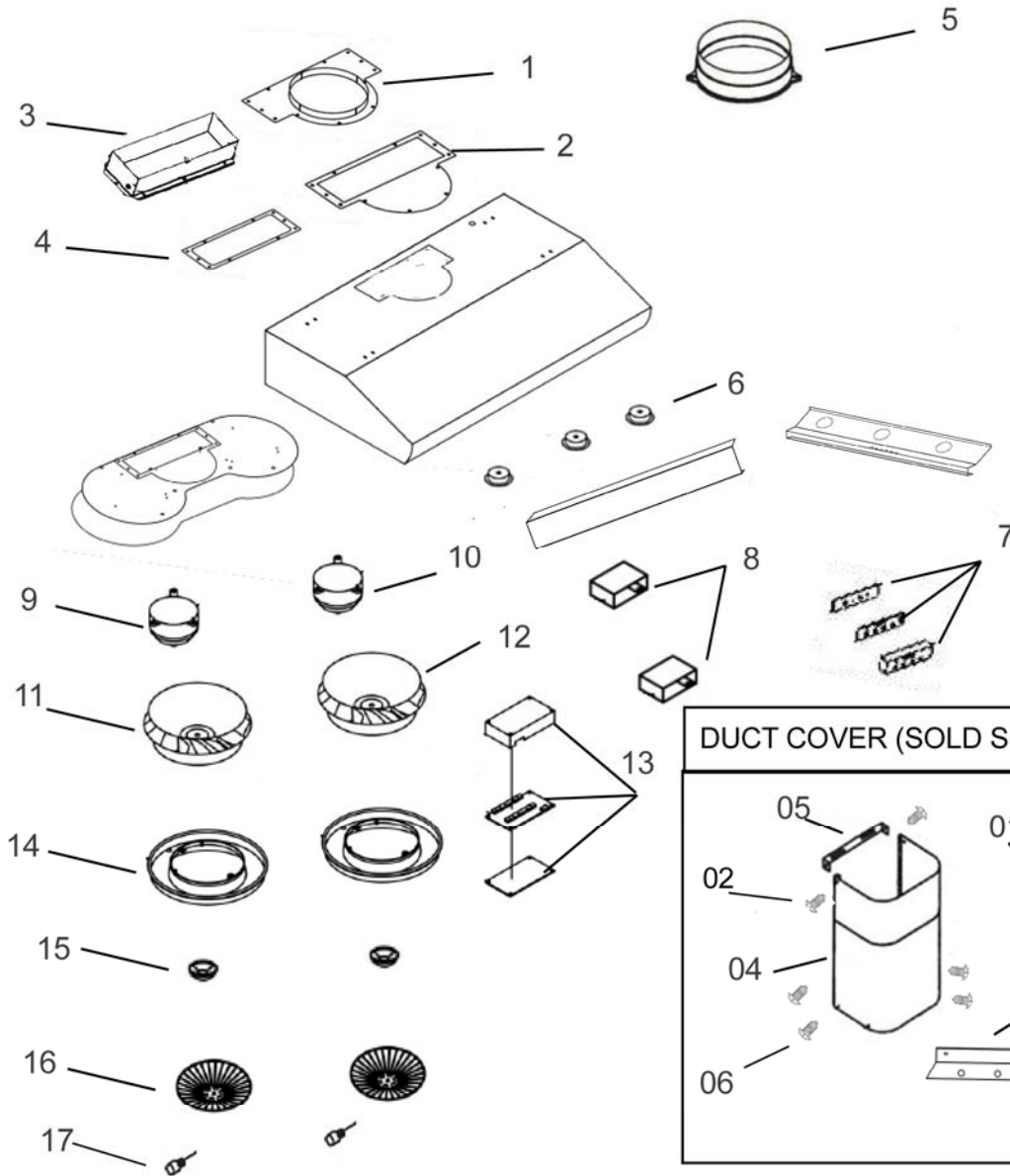
#### Couvre-conduit optionnel

N°	DESCRIPTION	MODÈLE/FORMAT	N° DE PIÈCE
01	Support de fixation de la hotte		L1-0221-1630
02	Vis (3/16 po x 3/8 po) x 6		L1-0707-0002
03	Support du couvercle du conduit x 2		L1-0208-1630
04	Couvre conduit	CH1120DC-1	12-16300-61
05	Support de fixation pour couvre conduit		L1-0203-1630
06	Vis (TS 4 x 6mm) x 4		L1-0708-0002



For Baffle Filters models only.

N° DE MODÈLE CH2742SQB-1 (42 po)  
 CH2748SQB-1 (48 po)

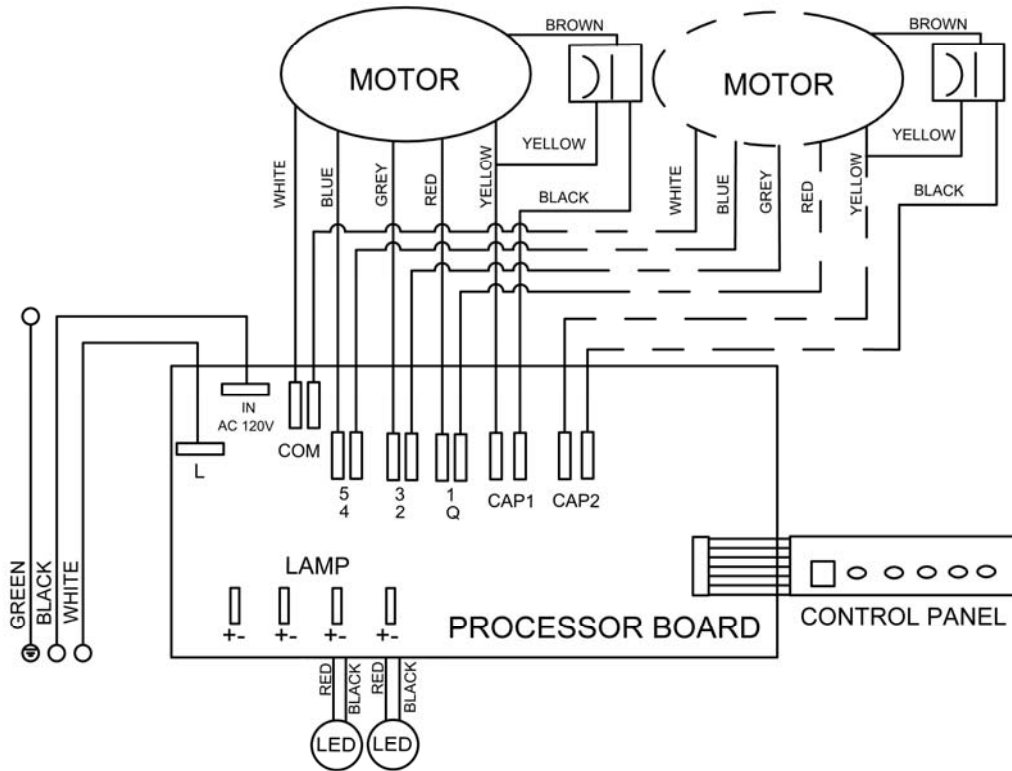


# DIAGRAMME DES CIRCUITS

N° DE MODÈLE

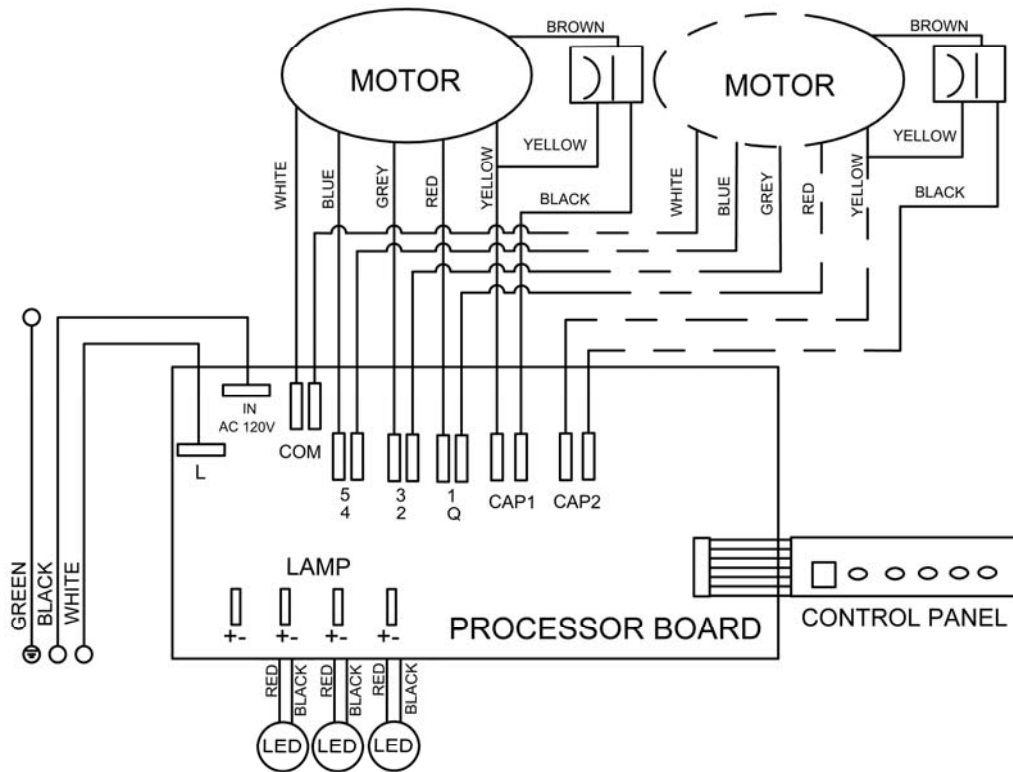
CH2230SQB-1 (30 po) / CH2236SQB-1 (36 po)  
CH2230SQ-1 (30 po) / CH2236SQ-1 (36 po)

CH2730SQB-1 (30 po) / CH2736SQB-1 (36 po)



N° DE MODÈLE

CH2742SQB-1 (42 po), CH2748SQB-1 (48 po)



## TROUBLE SHOOTING

<b>Problème</b>	<b>Cause probable</b>	<b>Solution</b>
Après l'installation, les deux moteurs et les lumières ne fonctionnent pas.	Pas d'alimentation électrique. Assurez-vous que le disjoncteur et que l'alimentation électrique soient en marche.	Utilisez un voltmètre pour vérifier l'alimentation en électricité.
	Le câblage n'est pas bien installé.	Vérifiez et serrez les connexions de fils.
	Le câblage du panneau de commande et de la carte processeur est débranché.	Vérifiez le câblage au complet à partir du panneau de commande jusqu'à la carte processeur.
Les lumières fonctionnent, mais pas le(s) moteur(s).	Le panneau de commande ou la carte processeur est défectueux.	Remplacez le panneau de commande ou la carte processeur.
	Le(s) moteur(s) est (sont) défectueux.	Remplacez le(s) moteur(s).
	Le(s) condensateur(s) est (sont) défectueux.	Remplacez le(s) condensateur(s).
La hotte de cuisine vibre.	Le panneau de commande ou la carte processeur est défectueux.	Remplacez le panneau de commande ou la carte processeur.
	Le système de ventilation n'est pas bien installé.	Serrez la pale turbine/cage d'écureuil et le réservoir d'air.
	La pale turbine/cage écureuil n'est pas bien balancée.	Remplacez la pale turbine/cage d'écureuil.
Le moteur fonctionne, mais pas les lumières.	La hotte n'est pas assez bien serrée.	Vérifiez l'installation de la hotte, serrez le support de fixation.
	L'ampoule de la lampe halogène est défectueuse.	Essayez l'ampoule de lampe défectueuse sur une douille qui fonctionne. Si l'ampoule ne fonctionne toujours pas, remplacez-la.
	Le câblage de la lampe n'est pas assez serré.	Vérifiez le câblage au complet à partir de la carte processeur jusqu'au transformateur puis jusqu'au boîtier.
La hotte de cuisine ne ventile pas correctement.	Le panneau de commande ou la carte processeur est défectueux.	Remplacez le panneau de commande ou la carte processeur.
	La hotte de cuisine est installée hors des limites recommandées par le fabricant.	Ajustez le dégagement entre la hotte de cuisine et la table de cuisson pour qu'il soit de 26" à 30". Pour une hotte de cuisinière sur îlot, le dégagement entre la hotte de cuisine et la table de cuisson est de 30" à 36".
	Il n'y a pas d'air d'appoint à l'intérieur de la maison.	Ouvrez la fenêtre pour améliorer la performance de la hotte en créant suffisamment d'air d'appoint.
	Un obstacle bloque la canalisation.	Enlevez tous les obstacles de la canalisation.
De l'air froid entre dans la maison.	La canalisation est plus petite que la canalisation suggérée.	Changez la canalisation en accord avec les suggestions du fabricant.
	La connexion du conduit n'est pas scellée correctement.	Vérifiez l'installation du conduit.
	Le clapet n'est pas bien installé ou manque à l'installation.	Vérifiez l'installation du clapet.
	Le clapet n'est pas installé.	En installant le clapet, vous aidez à éliminer le retour d'air.

# GARANTIE

## CERTIFICAT DE GARANTIE

KOBE (désigné ici par "nous" ou "notre") garantit à l'acheteur original (désigné ici par «vous» ou «votre») tous les produits sont fabriqués ou fournis par nous sont exempts de défaut de fabrication et de main-d'œuvre comme suit:

### **DEUX ANS DE GARANTIE LIMITÉE POUR LES PIÈCES ET MAIN D'OEUVRE LES SERIES KOBE PREMIUM:**

Pendant deux ans à compter de la date de votre facture originale chez un concessionnaire agréé KOBE, nous allons, à notre seule discrétion, choisir de réparer ou de remplacer le produit gratuitement qui a échoué en raison de défauts de fabrication.

Il est de votre responsabilité exclusive de vous assurer que le produit est facilement accessible pour le technicien d'effectuer les réparations. **Le technicien de service ne va, en aucune circonstance, retirer, altérer ou modifier tout dispositif construit autour et/ou connecté à l'appareil, pour y accéder en vue d'effectuer des réparations.**

Au cours de la période de deux ans de garantie, des frais supplémentaires peuvent s'appliquer et comprennent, mais ne sont pas limités à:

- Les frais de service de voyage technicien si le centre de service demandé est de 30 miles de la zone de service autorisé par KOBE
- Dépenses d'expédition des pièces
- Non-installation d'un produit défectueux et installation d'appareil de remplacement

### **UN AN DE GARANTIE LIMITÉE POUR PIÈCES SUR LES SERIES KOBE Brillia:**

Pendant un an à compter de la date de votre facture originale chez un concessionnaire agréé KOBE, nous vous fournirons gratuitement, les pièces pour remplacer celles qui ont échoué en raison de défauts de fabrication. C'est notre seule discrétion, choisir de réparer ou de remplacer les pièces défectueuses. Il est de votre seule responsabilité pour tous les coûts de main-d'œuvre associées à cette garantie.

### **Exclusions de la garantie:**

Cette garantie ne couvre pas, y compris, mais sans s'y limiter, ce qui suit:

- a. Une mauvaise installation.
- b. Toute réparation, altération, modification non autorisée par KOBE.
- c. Altération de conduit, ou de modification et connexion.
- d. Mauvaise alimentation électrique, tension ou câblage.
- e. L'entretien normal et les services requis pour le produit.
- f. Les pièces consommables comme les ampoules et les filtres de carbone.
- g. Utilisation non conforme du produit qui n'était pas prévue, comme l'utilisation commerciale, utilisation à l'extérieur et multi-usage familial.
- h. L'usure normale.
- i. Chips, rayures ou les bosses, ou de le mauvais usage du produit.
- j. Les dommages causés par un accident, un incendie, une inondation et d'autres forces majeures.
- k. Les frais engagés pour des services situés à l'extérieur de la zone de service.
- l. Les achats auprès des revendeurs non agréés.
- m. Frais d'enlèvement de produits défectueux et frais installation associés à un produit de remplacement.

Si nous déterminons que les exclusions de garantie indiquées ci-dessus s'appliquent ou si vous ne fournissez pas tous les documents nécessaires pour le service de garantie, vous serez responsable de tous les frais associés à la prestation demandée, y compris les pièces, la main d'oeuvre, l'expédition, le déplacement et tous autres frais liés à la requête du service.

Pour le service sous garantie, vous devez:

1. Avoir la preuve d'achat originale
2. Être l'acheteur original du produit
3. Le numéro de modèle
4. Le numéro de série
5. Avoir une description de la nature de tout défaut dans le produit ou la pièce

**POUR UN SERVICE DE GARANTIE, CONTACTEZ LE CENTRE DE SERVICE KOBE HOTTES:**

CENTRE DE SERVICE KOBE

Tel: 1-855-800-KOBE (5623)

E-mail: [kobe@adcoservice.com](mailto:kobe@adcoservice.com)

## FORMULAIRE D 'INFORMATION SUR LA GARANT

Remplissez les espaces vides et garder ce papier avec la facture originale dans un endroit sûr pour un service futur.

1. Date d'achat : \_\_\_\_\_

2. Numéro de modèle : \_\_\_\_\_

3. Numéro de série : \_\_\_\_\_

**Pour le service de garantie ou achat de pièces, contactez:**

CENTRE DE SERVICE KOBE

Numéro vert: 1-855-800-KOBE (5623)

Email: [kobe@adcoservice.com](mailto:kobe@adcoservice.com)

**Pour signaler un problème, contactez:**

Numéro vert: 1-877-BUY-KOBE (289-5623)

Email: [customer.service@koberangehoods.com](mailto:customer.service@koberangehoods.com)

**Pour des informations sur les produits, contactez:**

Numéro vert: 1-877-BUY-KOBE (289-5623)

Email: [info@koberangehoods.com](mailto:info@koberangehoods.com)

Vos remarques:



KOBE Range Hoods  
11775 Clark Street  
Arcadia, CA 91006 USA

<http://www.KOBERangeHoods.com>

This KOBE hood is made for use in the USA and CANADA only. We do not recommend using this hood overseas as the power supply may not be compatible and may violate the electrical code of that country. **Using a KOBE hood overseas is at your own risk and will void your warranty.**

Cette hotte KOBE est fabriquée pour usage aux États-Unis et au Canada seulement. Il n'est pas recommandé d'utiliser cette hotte à l'étranger puisque l'alimentation électrique pourrait ne pas être compatible et enfreindre le code de l'électricité de ce pays. **L'usage de la hotte KOBE à l'étranger est à votre propre risque et la garantie sera annulée.**

Esta campana de extracción KOBE ha sido fabricada para ser utilizada únicamente en EE.UU. y CANADÁ. No recomendamos la utilización de esta campana en el extranjero debido a que la fuente de energía podría no ser compatible y podría violar el código eléctrico de dicho país. **Utilizar una campana KOBE en el extranjero será a su propio riesgo y anulará la garantía.**

VER.130412

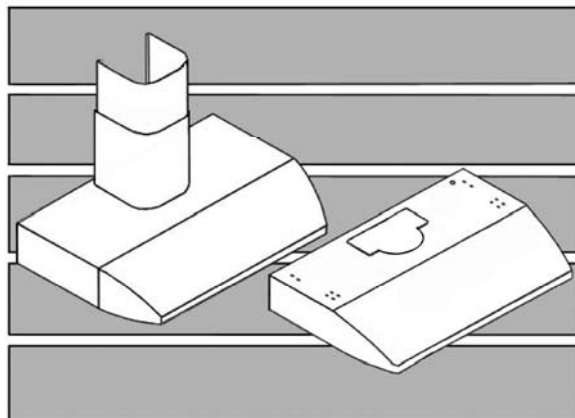
Information subject to change without notice.



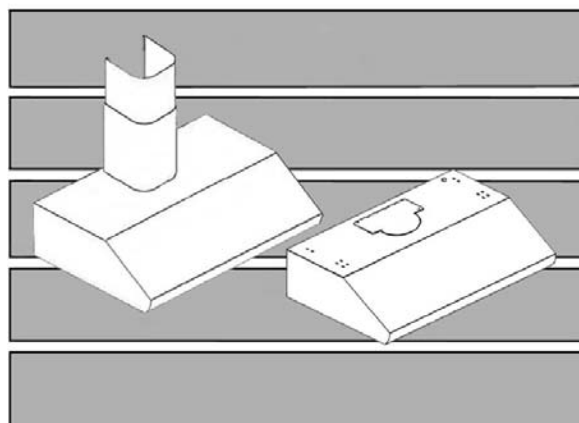
# KOBE® KOBE Brand Range Hood

## Nos de modèles.

CH2230SQ-1 (30") / CH2236SQ-1 (36")  
CH2230SQB-1 (30") / CH2236SQB-1 (36")



CH2730SQB-1 (30") / CH2736SQB-1 (36")  
CH2742SQB-1 (42") / CH2748SQB-1 (48")



INSTRUCCIONES DE INSTALACIÓN  
Y MANUAL DE OPERACIÓN

# ES IMPORTANTE QUE LEA ESTO PRIMERO

## **LEA ANTES DE LA INSTALACION**

1. Revise cuidadosamente todos los contenidos del paquete;
2. Inspeccione cuidadosamente la unidad para los daños o defectos estéticos;
3. Pruebe la unidad antes de la instalación;
4. Deje que un contratista certificado / electricista realice la instalación.

## **SI HAY ALGUN PROBLEMA:**

1. **NO INSTALE LA UNIDAD Y GUARDE EL EMPAQUE ORIGINAL.**
2. Tenga su recibo original de compra y número de serie del producto listo.
  1. Llame al 1-877-BUY-KOBE (289-5623), o envíe correo electrónico a [info@koberangehoods.com](mailto:info@koberangehoods.com) para informar del problema.

## **NO SE DEVUELVE, NO SE REEMBOLSA, NO SE ADMITEN CAMBIOS SI:**

1. EL PRODUCTO HA SIDO INSTALADO
2. LOS PASOS CIEGOS HAN SIDO PERFORADOS
3. SE HA EXTRAVIADO MATERIAL Y / O PIEZAS ORIGINAL DEL PAQUETE

## [ESPAÑOL]

- LEA Y GUARDE ESTAS INSTRUCCIONES –

### CONTENIDO

INSTRUCCIONES IMPORTANTES DE SEGURIDAD .....	1
COMPONENTES DEL PAQUETE .....	3
INSTALACIÓN .....	6
INSTRUCCIONES DE OPERACIÓN .....	15
MANTENIMIENTO .....	17
ESPECIFICACIONES .....	18
MEDIDAS Y DIAGRAMAS .....	20
LISTADO DE PIEZAS .....	23
DIAGRAMA DE CIRCUITO .....	31
TROUBLE SHOOTING .....	33
GARANTIA .....	34
FORMULARIO DE INFORMACION DE GARANTIA .....	36

- LEA CUIDADOSAMENTE TODAS LAS INSTRUCCIONES ANTES DE  
COMENZAR –

TODO EL CABLEADO DEBERÁ REALIZARSE POR UN PROFESIONAL Y  
DE ACUERDO CON LOS CÓDIGOS ELÉCTRICOS NACIONALES Y  
LOCALES



## INSTRUCCIONES IMPORTANTES DE SEGURIDAD

- POR FAVOR, LEA CUIDADOSAMENTE ESTA SECCIÓN ANTES DE INSTALAR -

### **ADVERTENCIA:** PARA REDUCIR EL RIESGO DE INCENDIO, ELECTROCUCIÓN O LESIÓN PERSONAL, TOMA EN CUENTA LO SIGUIENTE:

- 1) La instalación y el cableado eléctrico deberán realizarse por profesionales calificados y de acuerdo con todos los códigos y estándares correspondientes, incluyendo los códigos y normas sobre la construcción para prevenir incendios.
- 2) Al cortar o perforar una pared o techo, tenga cuidado de no dañar el cableado eléctrico u otras instalaciones de servicios ocultas.
- 3) Los ventiladores con conductos deberán tener una ventilación hacia el exterior.
  - a) Antes de darle servicio o limpiar la unidad, abra el panel de la luz y DESCONECTE EL SUMINISTRO ELÉCTRICO EN EL PANEL DE SERVICIO.
  - b) Limpie frecuentemente las superficies saturadas con grasa. Para reducir el riesgo de incendio y para dispersar el aire adecuadamente, asegúrese de ventilar el aire al exterior. NO ventile el aire del escape en espacios cerrados entre paredes, áticos, espacios de acceso debajo de pisos o garajes.

NOTA - Esta garantía no es válida sin un recibo de un agente autorizado o si la unidad se ha dañado debido al maltrato, mala instalación, uso inadecuado, abuso, negligencia o cualquier otra circunstancia que se encuentre fuera del control de los agentes autorizados de KOBE RANGE HOODS. Cualquier reparación que se realice sin la supervisión de los agentes autorizados de KOBE RANGE HOODS anulará la garantía automáticamente.

- KOBE RANGE HOODS no se hará responsable por cualquier daño a la propiedad personal o inmobiliario ni por las lesiones físicas que se hayan causado ya sea directa o indirectamente por la campana de extracción.

### **ADVERTENCIA:** PARA REDUCIR EL RIESGO QUE OCURRAN LESIONES PERSONALES EN CASO DE UN INCENDIO CAUSADO POR LA GRASA ACUMULADA EN LAS HORNILLAS DE LA ESTUFA:

1. Mantenga limpios todos los ventiladores, deflectores/separadores/filtros/conductos de aceite/recipientes para aceite y las superficies saturadas con grasa. No deberá permitirse que la grasa se acumule en el ventilador, deflector/separador/filtro/conducto de aceite/ recipiente para aceite.
2. Siempre ENCIENDA el extractor cuando cocine.
3. Utilice las configuraciones altas en la estufa SOLAMENTE cuando sea necesario.
4. No deje la estufa sin supervisión mientras esté cocinando.
5. Siempre utilice utensilios de cocina adecuados para el tipo y cantidad de alimentos que prepara.
6. Utilice esta unidad únicamente de la manera en que fue diseñada por el fabricante.
7. Antes de darle servicio, desconecte el suministro eléctrico en el panel de servicio y cierre bajo llave el panel de servicio (de ser posible) para prevenir que la unidad se encienda accidentalmente.
8. Limpie el ventilador con frecuencia.

## **Qué Hacer en Caso de Un Incendio Causado por la Grasa Acumulada en las Hornillas de la Estufa**

- SOFOQUE LAS LLAMAS con una tapadera, una bandeja para hornear galletas o una bandeja de metal que quede bien ajustada y luego apague la hornilla. MANTENGA TODO EL MATERIAL INFLAMABLE O COMBUSTIBLE LEJOS DE LAS LLAMAS. Si las llamas no se apagan inmediatamente, EVACUE EL ÁREA Y LLAME AL DEPARTAMENTO DE BOMBEROS o al 911.
- NUNCA LEVANTE UN SARTÉN QUE SE ESTÉ QUEMANDO – Usted Podría Quemarse.
- NO UTILICE AGUA, incluyendo paños o toallas mojadas - esto resultará en una explosión violenta de vapor.
- Utilice un extinguidor SOLO si:
  - a) Cuenta con un extinguidor Clase A, B, C y sabe cómo utilizarlo.
  - b) El incendio es pequeño y se ha contenido en el área en donde comenzó.
  - c) Ha llamado al departamento de bomberos.
  - d) Puede combatir el incendio con su espalda dirigida hacia una salida.

## **Qué Hacer si Siente Olor a Gas**

- Apague cualquier llama abierta.
- No intente encender las luces o cualquier otro tipo de aparato.
- Abra todas las puertas y ventanas para dispersar el gas. Si aún así siente olor a gas, llame a la Compañía de Gas y al Departamento de Bomberos inmediatamente.

## **PRECAUCIÓN**

- 1) Solamente para ventilación general. No utilizar para eliminar materiales y vapores peligrosos o explosivos.
- 2) Para reducir el peligro de incendio, utilice solamente una red de conductos metálicos. Necesita aire suficiente para la combustión y eliminación de gases por medio del conducto de ventilación (chimenea) para prevenir la explosión de flujo de aire en retroceso.
- 3) Siga las directrices y estándares de seguridad del fabricante del equipo de calefacción, tales como aquellos publicados por la Asociación de Protección contra Incendios (National Fire Protection Association – NFPA) y la Sociedad Americana de Ingenieros en Calefacción, Refrigeración y Aire Acondicionado (American Society for Heating, Refrigeration and Air Conditioning Engineers – ASHRAE) y las autoridades normativas.
- 4) Activar cualquier interruptor podría causar una explosión o ignición.
- 5) Debido al tamaño y peso de esta campana de extracción, se recomienda que la instalación sea realizada por dos personas.

## **ADVERTENCIA**



**RIESGO DE ELECTROCUCIÓN – Puede resultar en lesiones serias o la muerte. Desconecte el aparato del suministro eléctrico antes de darle servicio. Si estuviera equipado con éste, el foco fluorescente debido a que contiene pequeñas cantidades de mercurio, deberá reciclarse o desecharse según los Códigos Locales, Estatales y Federales.**

## COMPONENTES DEL PAQUETE

(Debe conservar todo el material para devoluciones o reembolsos)

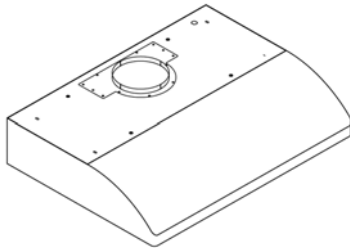
Nos de modèles.:

CH2230SQ-1 (30") / CH2236SQ-1 (36")

### Caja de la Campana de Extracción

- {A} Campana de Extracción KOBE
- {B} Tarjeta de Registro de Garantía
- {C} Manual de Instrucciones (CD)
- {D} Escape de 3-1/4" x 10"
- {E} Cubierta superior de ventilación
- {F} Collar de plástico de 6"
- {G} Recipientes para Aceite (Redondos) x 2
- {H} Recipientes para Aceite (Ovalados) x 2

{A}



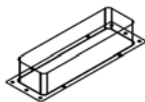
{B}



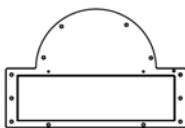
{C}



{D}



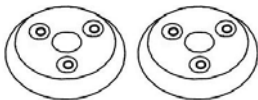
{E}



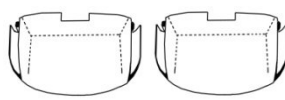
{F}



{G}



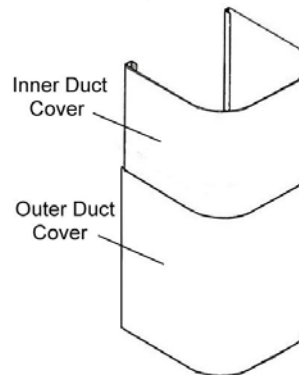
{H}



### Caja de la Cubierta de Conductos (Se Vende Por Separado)

- {I} Cubierta de Conductos KOBE (Modelo No. CH1120DC-1)
- {J} Paquete de Tornillos
- {K} Soporte de Montaje de la Campana
- {L} Soportes para el conducto de la cubierta x 2
- {M} Soporte de Montaje de la Cubierta de Conductos

{I}

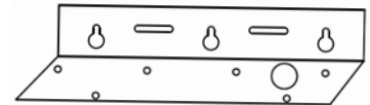


{J}



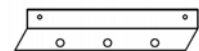
3/16" x 3/8" (6 PCS)

{K}



4 x 6mm (4 PCS)

{L}



2 PCS

{M}

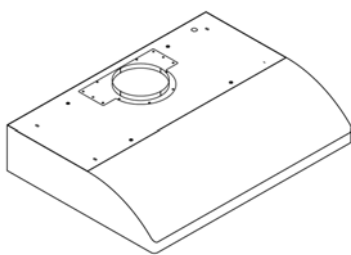


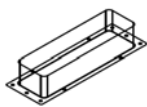
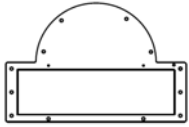

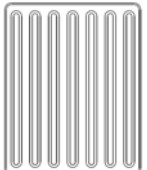
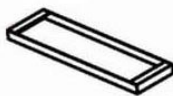
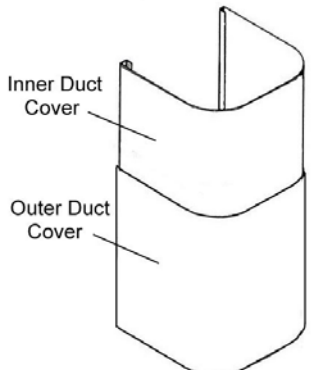


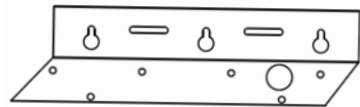
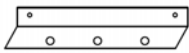
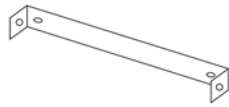


◆ PARA MÁS INFORMACIÓN, POR FAVOR VISITE NUESTRA PÁGINA WEB [www.KOBERangeHoods.com](http://www.KOBERangeHoods.com) O CONTACTE A KOBE RANGE HOODS A (626) 775-8880.

(Debe conservar todo el material para devoluciones o reembolsos)

Nos de modèles.:

CH2230SQB-1 (30") / CH2236SQB-1 (36")

Caja de la Campana de Extracción	Caja de la Cubierta de Conductos (Se Vende Por Separado)
<p>{A} Campana de Extracción KOBE                      {B} Tarjeta de Registro de Garantía                      {C} Manual de Instrucciones (CD)                      {D} Escape de 3-1/4" x 10"                      {E} Cubierta superior de ventilación                      {F} Collar de plástico de 6"                      {G} Filtro Deflector x 2 (30" hood)                      x 3 (36" hood)                      {H} Carcasa Inferior x 2 (30" hood)</p>  <p>{A}</p>  <p>{B}</p>  <p>{C}</p>  <p>{D}</p>  <p>{E}</p>  <p>{F}</p>  <p>{G}</p>  <p>{H}</p>	<p>{I} Cubierta de Conductos KOBE (Modelo No. CH1120DC-1)                      {J} Paquete de Tornillos                      {K} Soporte de Montaje de la Campana                      {L} Soportes para el conducto de la cubierta x 2                      {M} Soporte de Montaje de la Cubierta de Conductos</p>  <p>{I}</p>  <p>{J}</p> <p>3/16" x 3/8" (6 PCS)</p>  <p>{L}</p> <p>4 x 6mm (4 PCS)</p>  <p>{K}</p>  <p>{L}</p> <p>2 PCS</p>  <p>{M}</p>

◆ PARA MÁS INFORMACIÓN, POR FAVOR VISITE NUESTRA PÁGINA WEB [www.KOBERangeHoods.com](http://www.KOBERangeHoods.com) O CONTACTE A KOBE RANGE HOODS A (626) 775-8880.

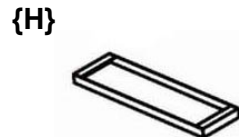
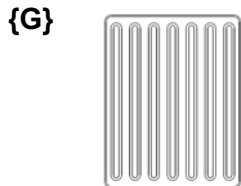
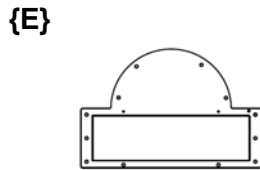
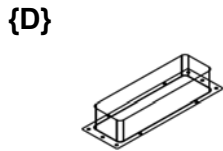
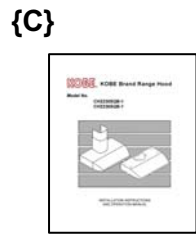
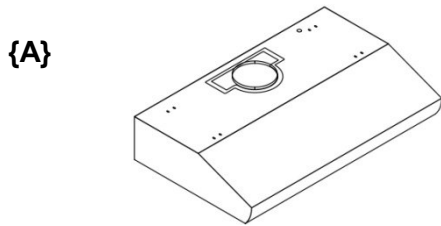
(Debe conservar todo el material para devoluciones o reembolsos)

Nos de modèles.:

CH2730SQB-1 (30") / CH2736SQB-1 (36") / CH2742SQB-1 (42") / CH2748SQB-1 (48")

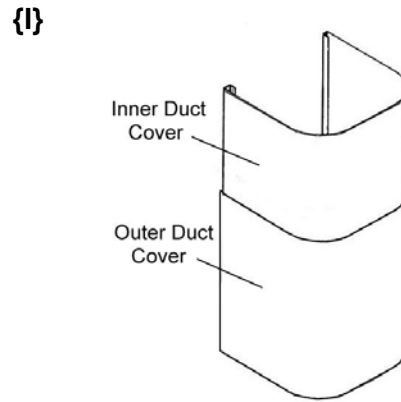
**Caja de la Campana de Extracción**

- {A} Campana de Extracción KOBE
- {B} Tarjeta de Registro de Garantía
- {C} Manual de Instrucciones (CD)
- {D} Escape de 3-1/4" x 10"
- {E} Cubierta superior de ventilación
- {F} Collar de plástico de 6"
- {G} Filtro Deflector x 2 (30" hood)  
x 3 (36", 42" hood)  
x 4 (48" hood)
- {H} Carcasa Inferior x 2 (30", 42" hood)



**Caja de la Cubierta de Conductos (Se Vende Por Separado)**

- {I} Cubierta de Conductos KOBE (Modelo No. CH1120DC-1)
- {J} Paquete de Tornillos
- {K} Soporte de Montaje de la Campana
- {L} Soportes para el conducto de la cubierta x 2
- {M} Soporte de Montaje de la Cubierta de Conductos



{J}

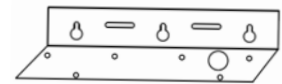


3/16" x 3/8" (6 PCS)

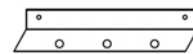


4 x 6mm (4 PCS)

{K}



{L}



2 PCS

{M}



◆ PARA MÁS INFORMACIÓN, POR FAVOR VISITE NUESTRA PÁGINA WEB [www.KOBERangeHoods.com](http://www.KOBERangeHoods.com) O CONTACTE A KOBE RANGE HOODS A (626) 775-8880.



# INSTALACIÓN

POR FAVOR, LEA LAS INSTRUCCIONES COMPLETAMENTE ANTES DE CONTINUAR

## Cálculo antes de la Instalación

Para realizar el cálculo para la instalación, por favor consulte la TABLA 1. (Todos los cálculos están hechos en pulgadas).

### -PARA INSTALACIÓN DEBAJO DE UN GABINETE-

<p><b>TABLA 1</b></p> <p>A = Altura del Piso al Techo          B = Altura del Piso a la Superficie del Mostrador          (Estándar: 36")  <b>C = Altura Preferida de la Superficie del Mostrador a Parte Inferior de la Campana (Se recomienda de 26" a 30")</b>          D = Altura de la Campana          E = Altura del Gabinete</p>	<p>Diagrama de instalación de la campana debajo de un gabinete. Muestra un gabinete superior, una campana (Hood) y un mostrador inferior. Las dimensiones A, B, C, D y E están etiquetadas con flechas.</p>
--	---

### - PARA INSTALACIÓN INDEPENDIENTE (CON CUBIERTA DE CONDUCTOS OPCIONAL)-

<p><b>TABLA 2</b></p> <p>A = Altura del Piso al Techo          B = Altura del Piso a la Superficie del Mostrador          (Estándar: 36")  <b>C = Altura Preferida de la Superficie del Mostrador a Parte Inferior de la Campana (Se recomienda de 26" a 30")</b>          D = Altura de la Campana          E = Altura de la Cubierta de Conductos [F-D]          F = Altura de la Instalación de la Campana [A - (B+C)]</p>	<p>Diagrama de instalación independiente de la campana con cubierta de conductos opcional. Muestra la campana (Hood) y una cubierta de conductos superior. Las dimensiones A, B, C, D, E y F están etiquetadas con flechas.</p>
---	---

**⚠️ ADVERTENCIA DE SEGURIDAD**

LA CAMPANA PODRÍA TENER EXTREMOS SUMAMENTE FILOSOS; FAVOR DE UTILIZAR GANTES PROTECTORES SI VA A RETIRAR CUALQUIER PIEZA PARA INSTALAR, LIMPIAR O DARLE SERVICIO.

NOTA: TENGA MUCHO CUIDADO AL UTILIZAR UN DESTORNILLADOR ELÉCTRICO; PODRÍA CAUSAR DAÑOS A LA CAMPANA.

**Índice de la Instalación**

INSTALACIÓN DEBAJO DE UN GABINETE	8
INSTALACIÓN INDEPENDIENTE	11

## INSTALACIÓN DEBAJO DE UN GABINETE

### Preparación antes de la Instalación

NOTA: PARA EVITAR CAUSAR DAÑOS A SU CAMPANA, EVITE QUE DESECHOS PENETREN EN LA RENDIJA DE VENTILACIÓN.

- Decida la ubicación para colocar el conducto de ventilación de la campana hacia el exterior. Consulte la Figura 1.
- Un ducto de escape recto y corto permitirá que la campana trabaje con más eficiencia.
- Intente evitar tantas conexiones, codos y ductos largos como sea posible. Esto podría reducir el rendimiento de la campana.
- Antes de instalar, conecte temporalmente la campana para verificar que funcione adecuadamente.
- Retire la película protectora de la campana (si hay alguna).
- Utilice cinta de aislar (duct tape) para sellar las uniones entre las secciones de los conductos.
- Para instalar debajo del gabinete con la parte inferior empotrada, coloque tiras para rellenar madera de 4 pulgadas de ancho (no incluidas) de cada lado. Consulte la Figura 2.
- Utilizando las referencias de la página 20-21 para mida y cree una abertura de acceso para los cables eléctricos y el escape debajo del gabinete.

### Instalación de ventilación

**⚠ PRECAUCIÓN: SOLO HERRAMIENTAS DE USO MANUAL. NO APRIETE DEMASIADO LOS TORNILLOS, ESTO PODRIA CAUSAR DAÑOS A LA CAMPANA.**

1. Elija la opción de ventilación requerida. Algunos tornillos de instalación ya están fijados a la campana.
2. Para instalación de ventilación de 6":
  - El tubo de escape de 6" ya ha sido fijado. (Figura 3) Alinee y asegure el Collar de plástico de 6" {F} con dos tornillos a la campana.
3. Para instalación de ventilación superior de 3-1/4" x 10":
  - Desmunte y deseche el tubo de escape de 6" fijado. (Figura 3). Conserve 13 tornillos para instalar el tubo de escape de 3-1/4" x 10" y la cubierta de ventilación.
  - Alinee y asegure la cubierta superior de ventilación {E} y el tubo de escape de 3-1/4" x 10" {D} usando 14 tornillos (de los cuales 13 provienen del tubo de escape de 6"). (Figura 4)

Figura 1

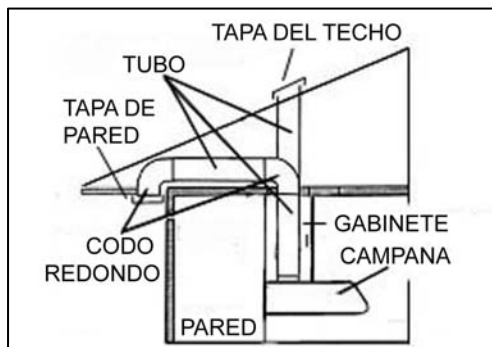


Figura 2

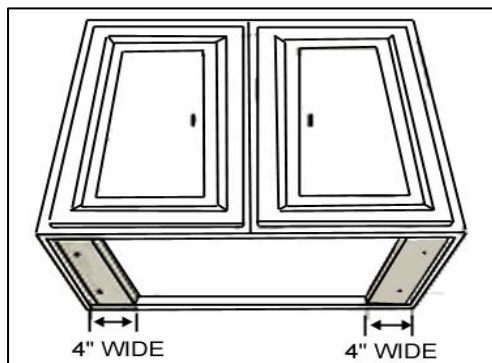


Figura 3

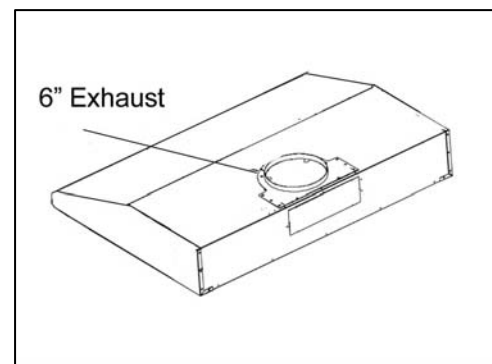
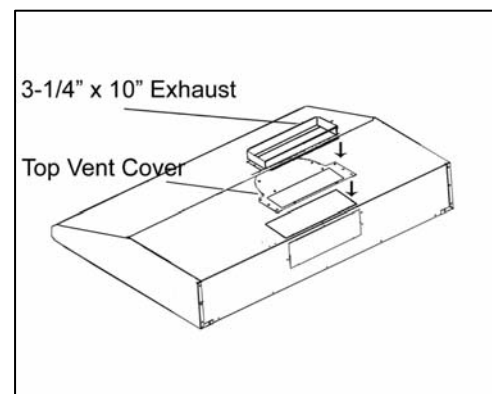


Figura 4



4. Para instalación de ventilación posterior de 3-1/4" x 10":
  - Desmonte y deseche el tubo de escape de 6" fijado. (Figura 3). Conserve 13 tornillos para instalar las cubiertas de ventilación.
  - Quite el agujero ciego del conducto de la parte posterior de la campana y deséchelo. (Figura 5) Destornille la cubierta de la ventilación de 3-1/4 "x 10" del escape trasero (ubicado dentro de la campana); Conserve los tornillos para instalar el escape de 3-1/4 "x 10".
  - Alinee y asegure la cubierta superior de ventilación {E} y la cubierta de ventilación de 3-1/4" x 10" (Obtenida del tubo de escape trasero) usando 14 tornillos (de los cuales 13 provienen del tubo de escape de 6"). (Figura 5)
  - Monte el tubo de escape de 3-1/4" x 10" {D} al tubo de escape trasero (ubicado dentro de la campana) usando 10 tornillos obtenidos del interior de la cubierta de ventilación. (Figura 6)

### Instalación de la Campana

**⚠ PRECAUCIÓN: Si es necesario mover la estufa para poder instalar la campana, desconecte el suministro eléctrico de la estufa eléctrica desde la caja eléctrica principal. CIERRE EL GAS ANTES DE MOVER UNA ESTUFA DE GAS. Y use una cubierta protectora para proteger los daños de la estufa y / o el mostrador.**

5. Retire la carcasa inferior o los filtros deflectores/espaciadores de acero inoxidable si es necesario; organice y pase los cables eléctricos por el orificio de 1" de diámetro en la parte superior o en la parte posterior de la campana.
6. Utilizando las referencias de la tabla 1 y las medidas de la página 20-21, centre la campana en su lugar debajo del gabinete y al ras con el frente del gabinete.
7. Pase los cables eléctricos a través de la abertura de acceso del gabinete.
8. Use un taladro eléctrico para eliminar los agujeros pre-perforados ubicados encima de la campana.
9. Coloque los tornillos (no incluidos) en el centro exacto de cada agujero pre-perforados. Asegúrese de que todos los tornillos estén en su lugar antes de apretar los tornillos.

**⚠ PRECAUCIÓN: ASEGÚRESE QUE LA CAMPANA ESTE BIEN SUJETA ANTES DE SOLTARLA.**

Figura 5

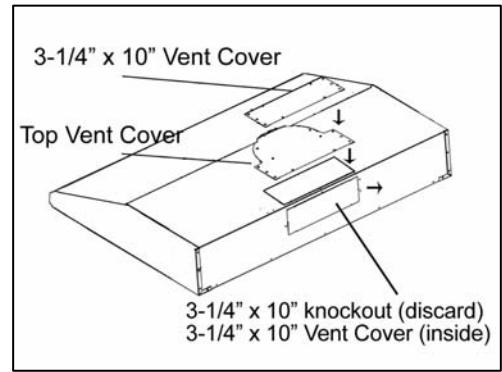
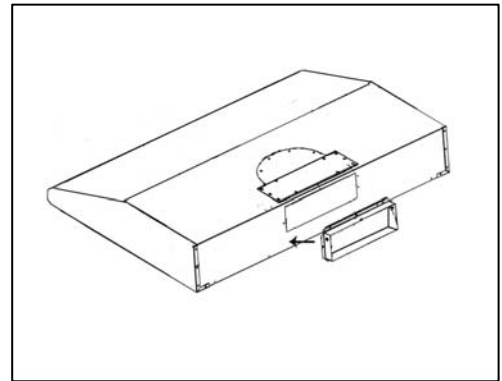


Figura 6



### Cableado Hacia la Fuente de Alimentación

**⚠ PRECAUCIÓN:** Si se mueve la estufa y es necesario instalar la campana, desconecte la alimentación eléctrica de la estufa desde el cuadro eléctrico principal. **CIERRE EL GAS ANTES DE MOVER UNA ESTUFA DE GAS. RIESGO DE DESCARGA ELÉCTRICA.**

**⚠ RIESGO DE DESCARGA ELÉCTRICA.** ESTA CAMPANA EXTRACTORA SE DEBE CONECTAR CORRECTAMENTE A LA TIERRA. ASEGÚRESE QUE ESTO SEA REALIZADO POR UN ELECTRICISTA CALIFICADO DE ACUERDO CON TODOS LOS CÓDIGOS ELÉCTRICOS NACIONALES Y LOCALES. ANTES DE CONECTAR LOS CABLES, APAGUE EL INTERRUPTOR DEL PANEL DE CONTROL Y BLOQUEA EL PANEL DE SERVICIO PARA EVITAR QUE SE ENCIENDA ACCIDENTALMENTE.

- Conecte tres cables (negro, blanco y verde) con los cables de la casa y tape con conectores de cables.
- Si necesitara ocultar las conexiones del cableado eléctrico, empuje los cables hacia dentro de la caja del cableado.

### Instalación de Red de Conductos

10. Utilice un tubo de aluminio o acero para conectar el escape plástico en la campana a la red de conductos de arriba. Utilice cinta de aislar para asegurar y hermetizar todas las uniones.

### Accesorios (For Baffle Filter models)

11. Coloque los filtros deflectores debajo de la campana. Consulte la Figura 7.

### Accesorios (For Oil Container models)

12. Coloque el recipiente para aceite (redondo) en las ranuras debajo de cada pantalla de seguridad. Voltee en la dirección de las agujas del reloj hasta que esté completamente en su lugar. Consulte la Figura 8.

13. Deslice el recipiente para aceite (ovalado) en la ranura plástica detrás de cada pantalla de seguridad como se muestra en la Figura 9.

### Ensamblado Final

14. ENCIENDA en el panel de control. Revise el funcionamiento de todas las luces y el ventilador.
15. Asegúrese de dejar este manual para el propietario de la vivienda.

Figura 7

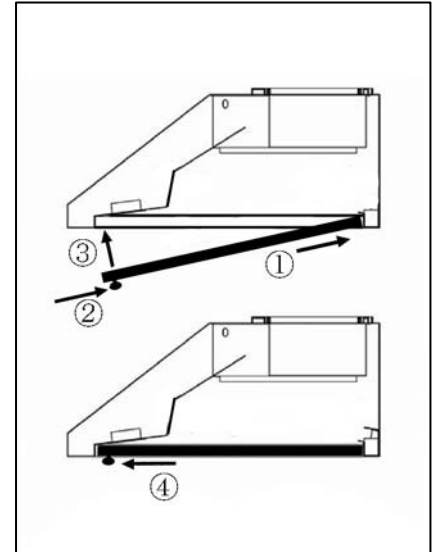


Figura 8



Figura 9



## INSTALACIÓN INDEPENDIENTE

\*\*\*\*\*Este tipo de instalación aplica solamente al haber comprado una cubierta de conductos (Modelo No. CH1120DC-1).

### Preparación antes de la Instalación

NOTA: PARA EVITAR CAUSAR DAÑOS A SU CAMPANA, EVITE QUE DESECHOS PENETREN EN LA RENDIJA DE VENTILACIÓN.

- Decida la ubicación para colocar el conducto de ventilación de la campana hacia el exterior. Consulte la Figura 10.
- Un ducto de escape recto y corto permitirá que la campana trabaje con más eficiencia.
- Intente evitar tantas conexiones, codos y ductos largos como sea posible. Esto podría reducir el rendimiento de la campana.
- Antes de instalar, conecte temporalmente la campana para verificar que funcione adecuadamente.
- Retire la película protectora de la campana (si hay alguna).
- Utilice cinta de aislar (duct tape) para sellar las uniones entre las secciones de los conductos.
- Utilizando las referencias indicadas en la Tabla 2 y las medidas de la página 20-22, decida el nivel para la madera. (Figura 11)

### Instalación de ventilación

**⚠ PRECAUCIÓN: SOLO HERRAMIENTAS DE USO MANUAL. NO APRIETE DEMASIADO LOS TORNILLOS, ESTO PODRIA CAUSAR DAÑOS A LA CAMPANA.**

1. Elija la opción de ventilación requerida. Algunos tornillos de instalación ya están fijados a la campana. Vea la figura 16. Utilice el paquete de tornillos {J} junto con los tornillos pre-fijados para el montaje de pared.
2. Para instalación de ventilación de 6":
  - El tubo de escape de 6" ya ha sido fijado. (Figura 12) Alinee y asegure el collar de plástico de 6" {F} con dos tornillos a la campana. Siga las instrucciones indicadas en el punto 5 para fijar el soporte de montaje de la campana {K} y los dos soportes para el conducto de la cubierta {L} (Figura 16)
3. Para instalación de ventilación superior de 3-1/4" x 10":
  - Desmonte y deseche el tubo de escape de 6" fijado. (Figura 12). Conserve 13 tornillos para instalar el tubo de escape de 3-1/4" x 10" y la cubierta de ventilación.

Figura 10

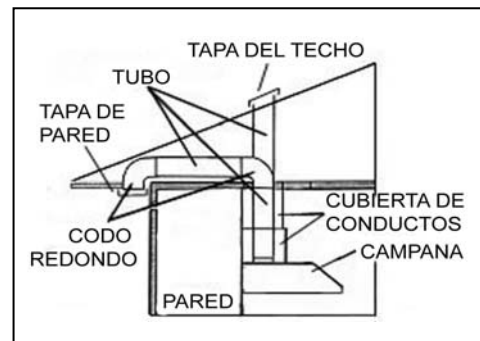


Figura 11

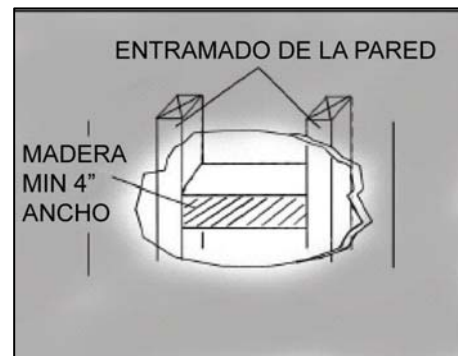


Figura 12

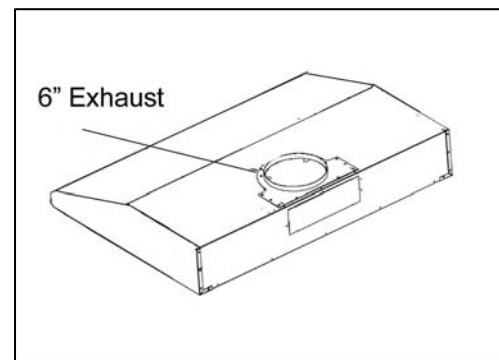
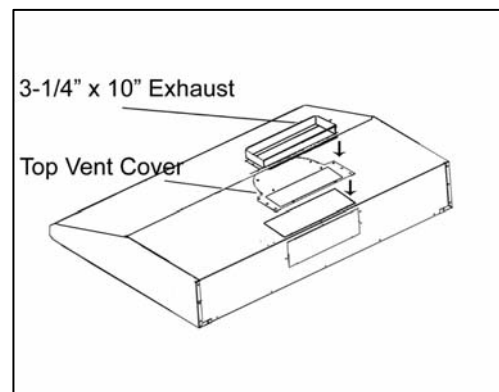


Figura 13



- Alinee y asegure la cubierta superior de ventilación {E} y el tubo de escape de 3-1/4" x 10" {D} (Figura 13) Salte al paso 5 para instalar el soporte de montaje de la campana {K} y los dos soportes para el conducto de la cubierta {L} usando 14 tornillos (de los cuales 13 provienen del tubo de escape de 6"). (Figura 16)

4. Para instalación de ventilación posterior de 3-1/4" x 10":

- Desmonte y deseche el tubo de escape de 6" fijado. (Figura 12). Conserve 13 tornillos para instalar las cubiertas de ventilación.
- Quite el agujero ciego del conducto de la parte posterior de la campana y deséchelo. (Figura 14) Destornille la cubierta de la ventilación de 3-1/4 "x 10" del escape trasero (ubicado dentro de la campana); Conserve los tornillos para instalar el escape de 3-1/4 "x 10".
- Alinee y asegure la cubierta superior de ventilación {E} y la cubierta de ventilación de 3-1/4" x 10" (Obtenida del tubo de escape trasero) usando 14 tornillos (de los cuales 13 provienen del tubo de escape de 6"). (Figura 14). Siga las instrucciones indicadas en el punto 5 para fijar el soporte de montaje de la campana {K} y los dos soportes para el conducto de la cubierta {L} (Figura 16) usando 14 tornillos (de los cuales 13 provienen del tubo de escape de 6"). (Figura 16)
- Monte el tubo de escape de 3-1/4" x 10" {D} al tubo de escape trasero (ubicado dentro de la campana) usando 10 tornillos obtenidos del interior de la cubierta de ventilación. (Figura 15)

Figura 14

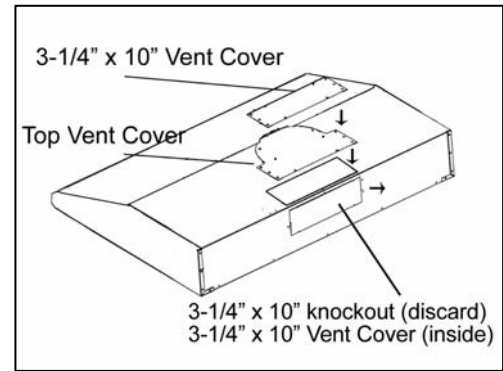


Figura 15

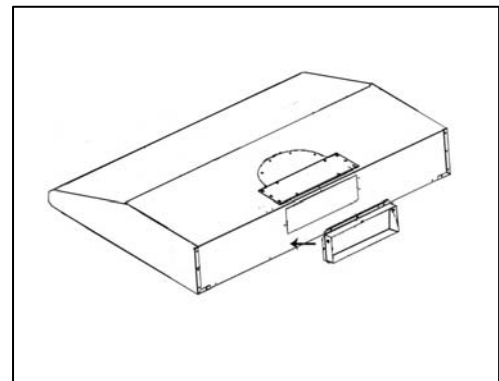


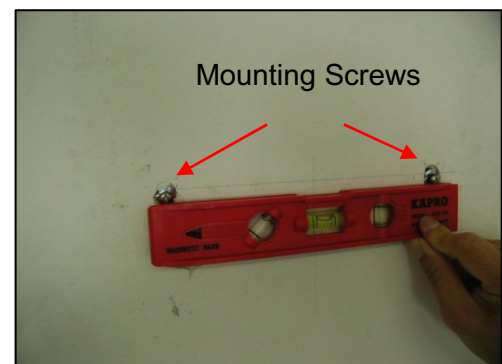
Figura 16



**Instalación de la Campana**

**⚠ PRECAUCIÓN:** Si es necesario mover la estufa para poder instalar la campana, desconecte el suministro eléctrico de la estufa eléctrica desde la caja eléctrica principal. **CIERRE EL GAS ANTES DE MOVER UNA ESTUFA DE GAS.** Y use una cubierta protectora para proteger los daños de la estufa y / o el mostrador.

Figura 17





5. Asegure el soporte de montaje de la campana {K} y los dos soportes para el conducto de la cubierta {L} a la cubierta de la campana usando 8 tornillos prefijados. Use cuatro tornillos de 3/16 "x 3/8" {J} para el soporte de montaje de la campana {K} (Figura 16)
6. Utilizando las referencias en la tabla 2 y las mediciones en la página 20-22, marque el punto de nivel de la campana. Posicione dos tornillos (no incluidos) en la pared, dejando un espacio de 1/8" en la pared como se muestra en la figura 17.
7. Alinee el soporte de montaje {K} a los dos tornillos de la pared y engánchelo en lugar. Apriete los tornillos para asegurar la campana a la pared.

**⚠ PRECAUCIÓN: ASEGÚRESE QUE LA CAMPANA ESTE BIEN SUJETA ANTES DE SOLTARLA.**

#### **Cableado Hacia la Fuente de Alimentación**

**⚠ PRECAUCIÓN: Si se mueve la estufa y es necesario instalar la campana, desconecte la alimentación eléctrica de la estufa desde el cuadro eléctrico principal. CIERRE EL GAS ANTES DE MOVER UNA ESTUFA DE GAS. RIESGO DE DESCARGA ELÉCTRICA.**

**⚠ RIESGO DE DESCARGA ELÉCTRICA. ESTA CAMPANA EXTRACTORA SE DEBE CONECTAR CORRECTAMENTE A LA TIERRA. ASEGÚRESE QUE ESTO SEA REALIZADO POR UN ELECTRICISTA CALIFICADO DE ACUERDO CON TODOS LOS CÓDIGOS ELÉCTRICOS NACIONALES Y LOCALES. ANTES DE CONECTAR LOS CABLES, APAGUE EL INTERRUPTOR DEL PANEL DE CONTROL Y BLOQUEA EL PANEL DE SERVICIO PARA EVITAR QUE SE ENCIENDA ACCIDENTALMENTE.**

8. Conecte tres cables (negro, blanco y verde) con los cables de la casa y tape con conectores de cables.
9. Si necesitara ocultar las conexiones del cableado eléctrico, empuje los cables hacia dentro de la caja del cableado.

Figura 18

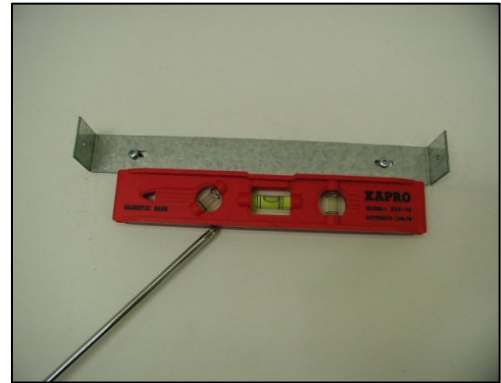


Figura 19





### Instalación de Red de Conductos

10. Utilice un tubo de aluminio o acero para conectar el escape plástico en la campana a la red de conductos de arriba. Utilice cinta de aislar para asegurar y hermetizar todas las uniones.

### Instalación de la Cubierta de Conductos

11. Marque la posición del soporte de montaje para cubiertas de conductos {M}. Utilice la referencia E de la tabla 2 y las medidas en la página 20-22. Coloque y fije el soporte de montaje para cubiertas de conductos {M} usando dos tornillos (no incluidos). (Figura 18) Nota: La cubierta interna para conductos cubrirá el soporte de montaje para cubiertas de conductos.
12. Posicione la cubierta para conductos a la campana.
13. Fije la cubierta interna para conductos con dos tornillos (3/16 "x 3/8") {J} al soporte de montaje para cubiertas de conductos mostrado en la figura 19.
14. Fije la cubierta externa para conductos al soporte para el conducto de la cubierta {L} con cuatro tornillos (4 x 6 mm) {J}.

### Accesorios (For Baffle Filter models)

15. Coloque los filtros deflectores debajo de la campana. Consulte la Figura 20.

### Accesorios (For Oil Container models)

16. Coloque el recipiente para aceite (redondo) en las ranuras debajo de cada pantalla de seguridad. Voltee en la dirección de las agujas del reloj hasta que esté completamente en su lugar. Consulte la Figura 21.
17. Deslice el recipiente para aceite (ovalado) en la ranura plástica detrás de cada pantalla de seguridad como se muestra en la Figura 22.

### Ensamblado Final

18. Encienda la unidad en el panel de control. Verifique el funcionamiento de la lámpara y el ventilador.
19. Asegúrese de dejar este manual con el propietario de la vivienda.

Figura 20

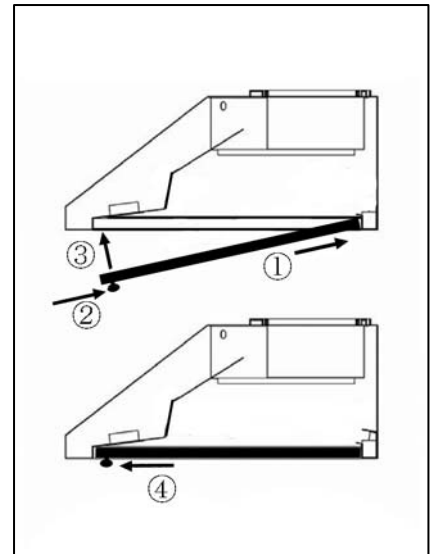


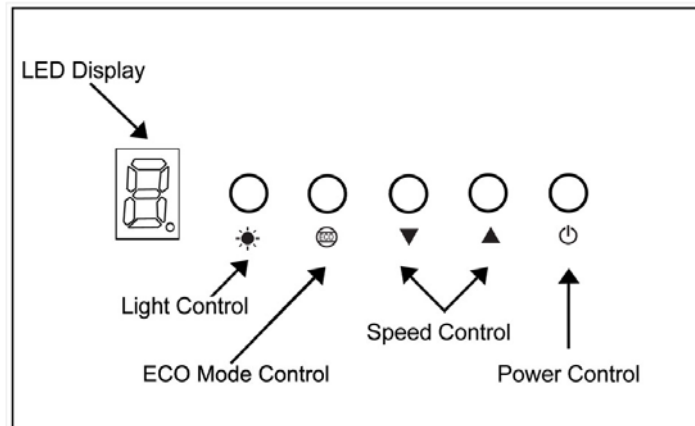
Figura 21



Figura 22



# INSTRUCCIONES DE OPERACIÓN



Nota: Para obtener los mejores resultados, encienda el ventilador antes de cualquier preparación o cocina y mantenga los ventiladores encendidos mientras usted cocine. Ajuste la velocidad según sea necesario.

## **Control de energía** ▼ ▲ ☀

Presione “Control de energía” para activar/desactivar la campana.

## **Control de velocidad**

El ventilador comienza en tercera velocidad. Presione el botón ▼ para reducir la velocidad.

Presione el botón ▲ para aumentar la velocidad.

Para activar el apagado programado en 3 minutos, pulse y mantenga pulsado el botón ⏻. Una vez que la función de parada ha sido activada, el LED se iluminará y la velocidad del ventilador se ajustará a tercera velocidad. El nivel de velocidad puede ser ajustado presionando los botones ▼ ▲ durante la cuenta regresiva de 3 minutos.

Para apagar el ventilador inmediatamente, presione ⏻ por segunda vez

## **Control de iluminación**





Presione el botón ☀ para encender las luces LED. Cada vez que presione el botón ☀ la intensidad de la iluminación cambiará entre “Brillante”, “Brillo medio”, “Atenuado” y “OFF”.


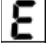
Las luces se controlan de forma independientemente del control de alimentación principal y el apagado programado. Apagando su equipo no se apagarán las luces.


## **Control ECO**

El modo ECO está configurado para activar el modo silencioso del ventilador, QuietMode™, cada hora por 10 minutos eliminando el exceso de suciedad, partículas microscópicas y olores para conseguir un ambiente ideal para la cocina.

El modo ECO es independiente del control de alimentación principal y el apagado programado.

Usted puede activar el modo ECO mientras el ventilador está pagado o encendido. Presione y mantenga pulsado el botón  hasta que el icono  aparezca momentáneamente en la pantalla LED. Si el ventilador está encendido usted puede seguir usándolo, use el apagado programado o apague el ventilador sin desactivar el modo ECO. Cuando el ventilador se encuentra apagado y el modo ECO está activado, el icono  aparece en la pantalla LED. El icono  parpadea mientras el modo ECO se encuentra activado en QuietMode™.

Para desactivar, presione y mantenga pulsado el botón  hasta que el icono  desaparezca de la pantalla LED.

Nota: Si el botón  es presionado mientras el modo ECO se encuentra activado, la función del ventilador será activada y la velocidad será mostrada en la pantalla LCD.

Nota: Puertas y ventanas deben estar abiertas para un flujo ideal de aire mientras el modo ECO se encuentre activado.

## **MANTENIMIENTO**

Para un funcionamiento óptimo, limpie la campana de extracción y todos los deflectores/separadores/filtros/conductos de aceite/recipientes para aceite con regularidad.

### **Limpieza de la Superficie de la Campana**

**PRECAUCIÓN: NUNCA UTILICE LIMPIADORES, ALMOHADILLAS O PAÑOS ABRASIVOS. NO UTILICE TOALLAS DE PAPEL SOBRE EL ACERO INOXIDABLE.**

\*\*\*El cuidado regular ayudará a preservar la apariencia de la campana.

1. Utilice solamente jabón o soluciones detergentes suaves. Seque las superficies utilizando un paño suave.
2. Si la campana se ve manchada (campana de acero inoxidable), utilice un limpiador para acero inoxidable para limpiar la superficie de la campana. Evite que la solución de limpieza caiga sobre o en el panel de control. Siga las instrucciones del limpiador de acero inoxidable.  
**Precaución:** No lo deje por mucho tiempo pues podría dañar el acabado de la campana. Utilice una toalla suave para limpiar la solución de limpieza y frote cuidadosamente cualquier área difícil de limpiar. Utilice una toalla suave y seca para secar la campana.
3. NO permita que depósitos se acumulen o permanezcan sobre la campana.
4. NO utilice lana de acero o cepillos de acero ordinarios. Pequeños pedazos de acero podrían adherirse a la superficie y causar óxido.
5. NO permita que soluciones de sal, desinfectantes, blanqueadores o compuestos de limpieza permanezcan en contacto con el acero inoxidable por periodos de tiempo prolongados. Muchos de estos compuestos contienen químicos, que podrían ser perjudiciales. Enjuague con agua después del contacto y seque con un paño limpio libre de pelusas.

### **Para limpiar el Filtro Deflector/Conductos de Aceite**

**PRECAUCIÓN: DRENE EL ACEITE DEL FILTRO DEFLECTOR Y CONDUCTO PARA ACEITE ANTES QUE ESTE SE DERRAME.**

1. Remueva todos los filtros deflectores y el conducto para aceite.
2. Utilice una esponja y lávelos con agua tibia jabonosa. Séquelos completamente antes de volverlos a colocar en su lugar.

**PRECAUCIÓN: BORDES FILOSO**

*(Nota: Los Filtros Deflectores pueden lavarse en el tramo superior del lavaplatos automático.)*

### **Para limpiar los Recipientes para Aceite, Pantallas de Seguridad e Impulsores**

**PRECAUCIÓN: DRENE LOS RECIPIENTES PARA ACEITE ANTES DE QUE EL ACEITE SE DERRAME.**

1. Limpieza Normal
  - Rocíe un desgrasante suave en el ventilador y encienda a velocidad alta. El residuo líquido se acumulará en los recipientes para aceite.
2. Limpiando los Recipientes para Aceite
  - Remueva el recipiente para aceite (redondo) girándolo en contra de las agujas del reloj.
  - Remueva el recipiente para aceite (ovalado) deslizándolo hacia adelante.
  - Lave con agua tibia jabonosa. Seque completamente antes de colocarlo nuevamente en su lugar.
  - *Se puede lavar en el tramo superior del lavaplatos automático.*
3. Limpiando las Pantallas de Seguridad
  - Remueva el tornillo de la pantalla de seguridad y deslícela hacia afuera.
  - Lave con agua tibia jabonosa. Seque completamente antes de regresarla a su lugar.
  - *Se puede lavar en el tramo superior del lavaplatos automático.*

## ESPECIFICACIONES

<b>MODELO / TAMAÑO</b>	For Baffle Filter Models: CH2230SQB-1 (30") ; CH2236SQB-1 (36") CH2730SQB-1 (30") ; CH2736SQB-1 (36") ; CH2742SQB-1 (42") ; CH2748SQB-1 (48") For Oil Container Models: CH2230SQ-1 (30") ; CH2236SQ-1 (36")		
<b>COLOR</b>	Acero Inoxidable de Clasificación Comercial		
<b>CONSUMO / AMPERIOS</b>	232W / 2.21A (30" , 36") 235W / 2.23A (42" , 48")		
<b>NUMERO DE MOTORES</b>	2		
<b>DISEÑO</b>	Acabado Satinado		
<b>TIPO DE VENTILADOR</b>	Impulsor de Doble Turbina		
<b>EXTRACTOR</b>	Superior – Redondo de 6" Rectangular de 3-1/4" x 10" Posterior – Rectangular de 3-1/4" x 10"		
<b>CONTROLES</b>	Control Electrónico (5 Botones) – Apagado con Retraso en 3 Minutos ECO Mode		
<b>ECO MODE</b>	El modo ECO está configurado para activar el modo silencioso del ventilador, QuietMode™, cada hora por 10 minutos eliminando el exceso de suciedad, partículas microscópicas y olores para conseguir un ambiente ideal para la cocina.		
<b>FOCOS DE HALÓGENO</b>	3-watt LED light x 2 (30" , 36") 3-watt LED light x 3 (42" , 48")		
<b>DIMENSIONES DE LA CAMPANA (ANCHO X PROFUNDIDAD X ALTO)</b>	(CH2230SQB-1 and CH2230SQ-1) 29-3/4" x 22" x 5-7/8" (CH2236SQB-1 and CH2236SQ-1) 35-3/4" x 22" x 5-7/8"  (CH2730SQB-1) 29-3/4" x 22" x 7" (CH2736SQB-1) 35-3/4" x 22" x 7" (CH2742SQB-1) 41-3/4" x 22" x 7" (CH2748SQB-1) 47-3/4" x 22" x 7"		
<b>ACCESORIOS OPCIONALES (ANCHO X PROFUNDIDAD X ALTO)</b>	1) Cubierta de Conductos Ajustable de Dos Piezas (CH1120DC-1) 11-13/16" x 10-7/16" x (22" ~ 41") 2) Panel Posterior de Acero Inoxidable de 30" (SSP30) 30" x 1/10" x 32" 3) Panel Posterior de Acero Inoxidable de 36" (SSP36) 36" x 1/10" x 32"		
<b>PESO (lbs)</b>		<u>Net</u>	<u>Gross</u>
	CH2230SQB-1 (30")	37.5	42.0
	CH2236SQB-1 (36")	40.0	46.0
	CH2230SQ-1 (30")	34.0	39.5
	CH2236SQ-1 (36")	37.5	44.0
	CH2730SQB-1 (30")	40.5	46.0
	CH2736SQB-1 (36")	44.0	50.5
	CH2742SQB-1 (42")	50.5	61.5
	CH2748SQB-1 (48")	55.0	75.0

**For Baffle Filter Models:**

<b>VELOCIDAD</b>	QuietMode™	1	2	3	4	5
<b>Capacidad de Aire (cfm)</b>	280	350	420	510	610	720
<b>Sonio*</b>	1.0 (40)	1.4 (45)	2.8 (55)	3.5 (58)	4.2 (61)	4.5 (62)

**For Oil Container Models:**

<b>VELOCIDAD</b>	QuietMode™	1	2	3	4	5
<b>Capacidad de Aire (cfm)</b>	300	380	460	560	670	800
<b>Sonio*</b>	1.0 (40)	1.5 (46)	3.0 (56)	3.5 (58)	4.5 (62)	4.8 (63)

\*Un sonio es equivalente al sonido de un refrigerador de 40 decibeles.

\*\*La información sobre las especificaciones está sujeta a cambio sin previo aviso.

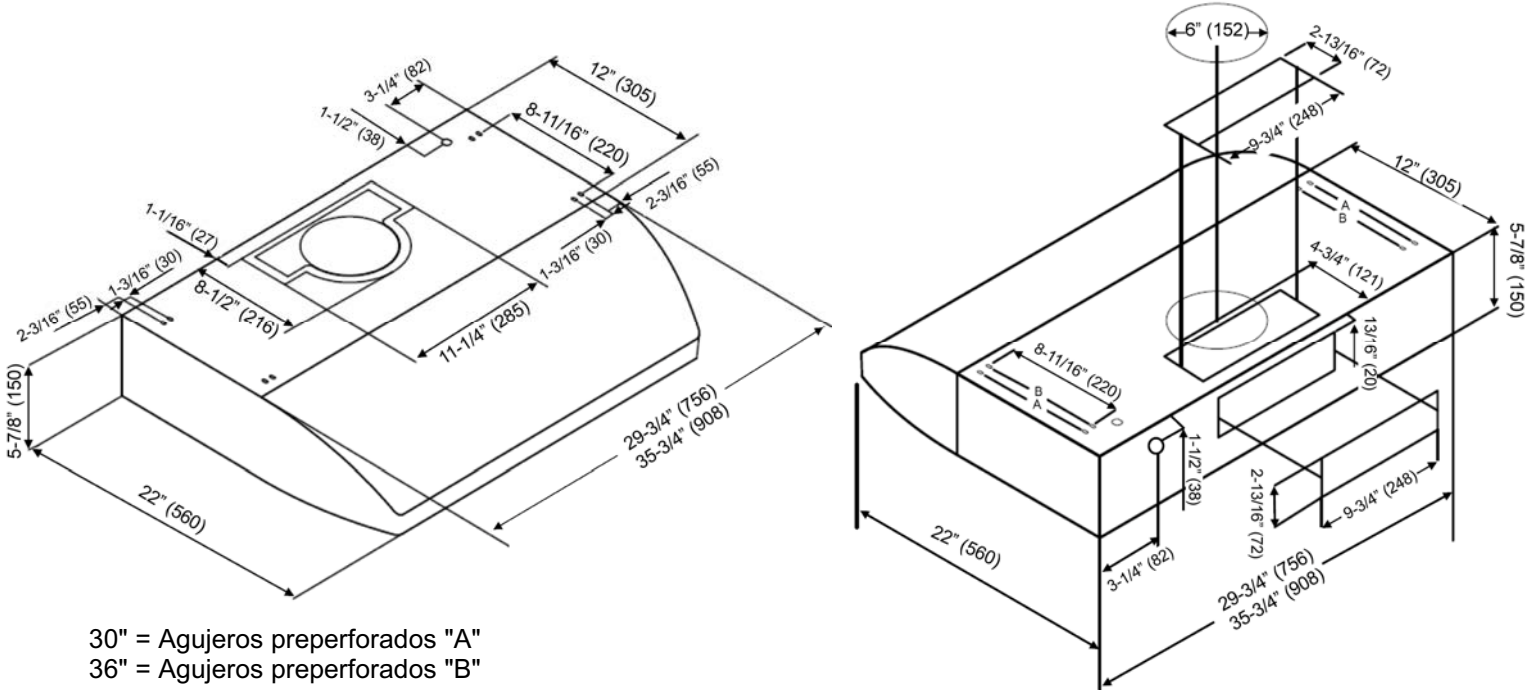
## MEDIDAS Y DIAGRAMAS

\*\*\* Todas las medidas en ( ) están en milímetros.

\*\*\*Todas las medidas en pulgadas han sido convertidas de milímetros. Las medidas en pulgadas son medidas aproximadas.

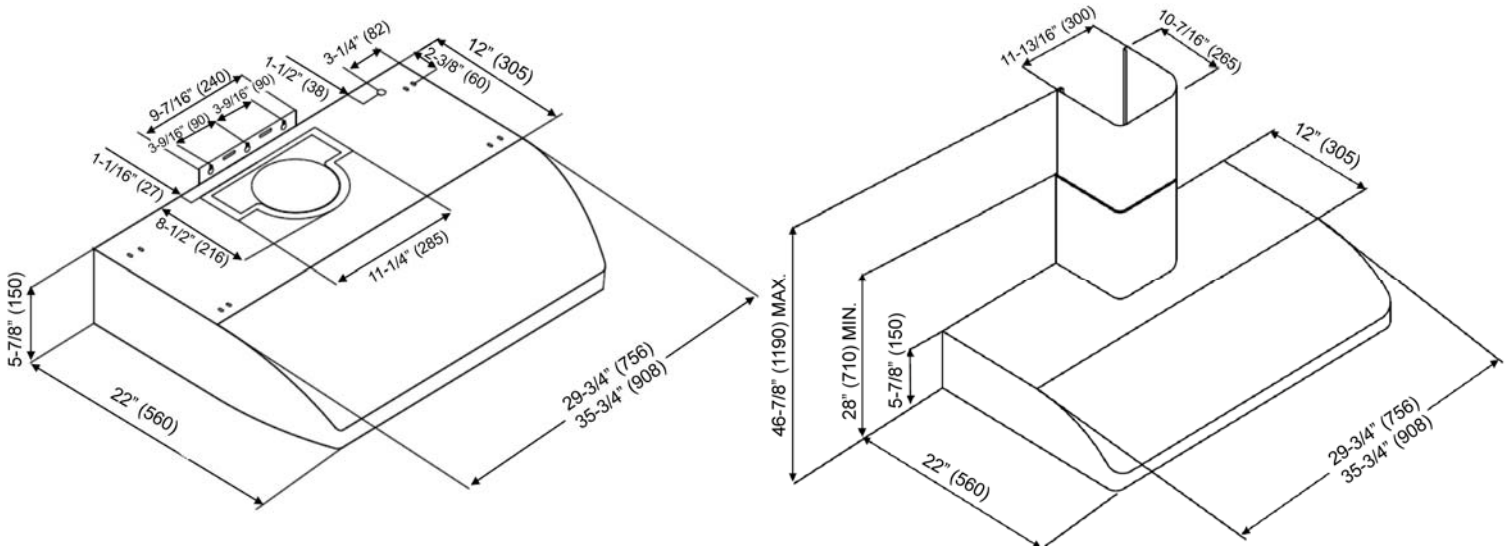
MODELO NO.: CH2230SQB-1 (30") / CH2236SQB-1 (36")  
 CH2230SQ-1 (30") / CH2236SQ-1 (36")

**-PARA INSTALACIÓN DEBAJO DE UN GABINETE-**



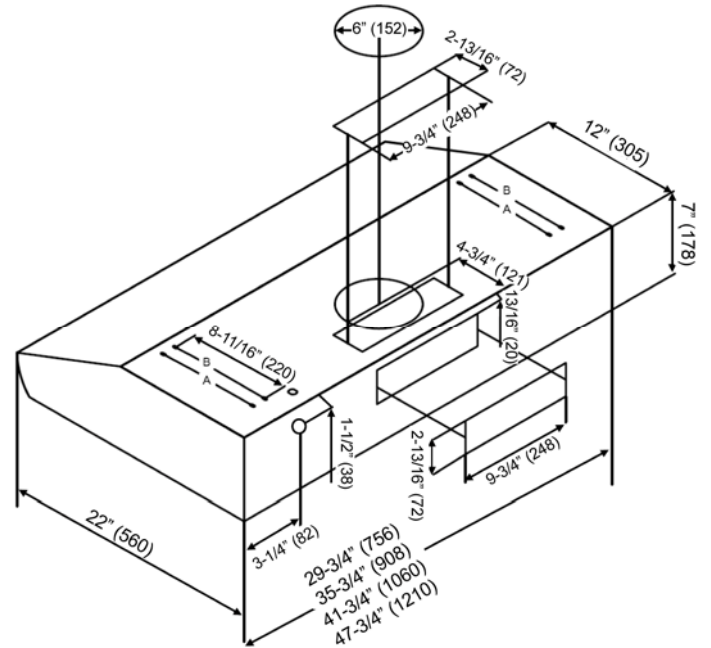
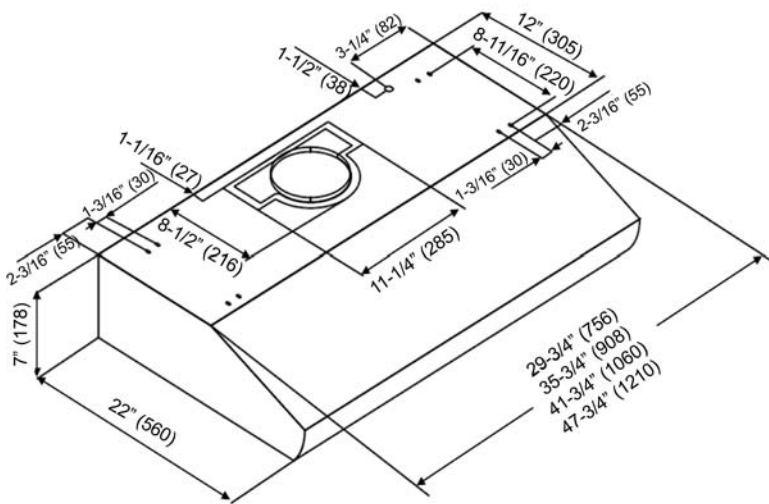
30" = Agujeros preperforados "A"  
 36" = Agujeros preperforados "B"

**- PARA INSTALACIÓN INDEPENDIENTE (CON CUBIERTA DE CONDUCTOS OPCIONAL)-**



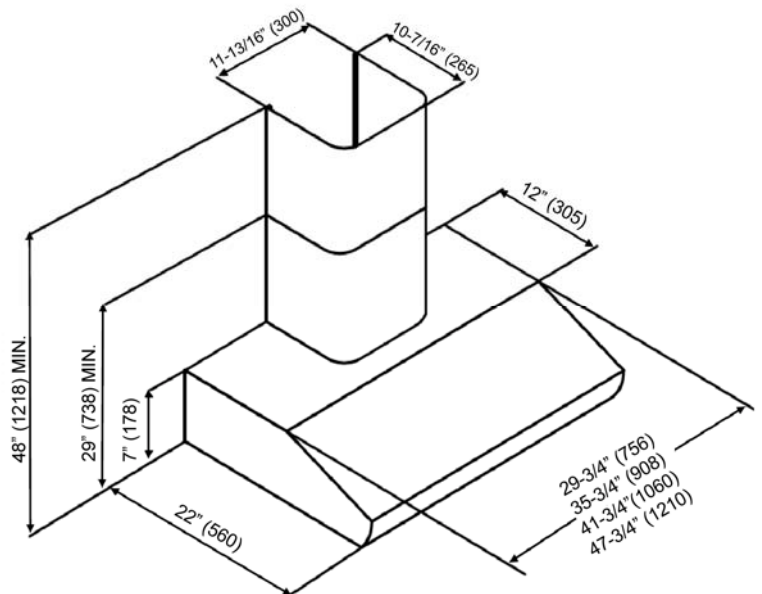
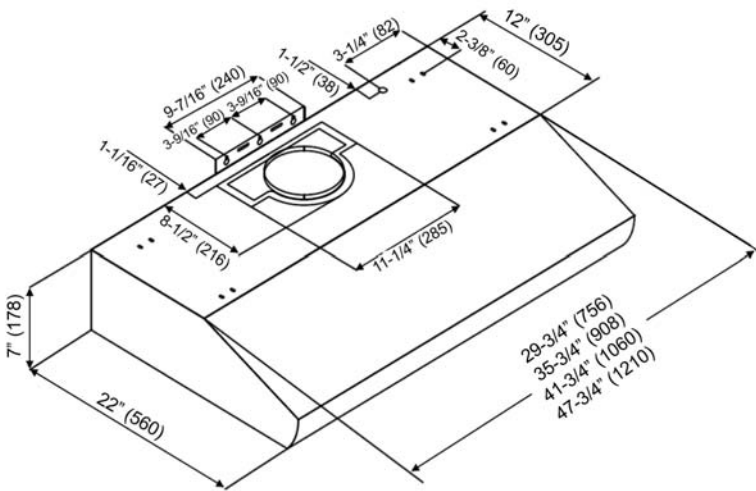
MODELO NO.: CH2730SQB-1 (30") / CH2736SQB-1 (36")  
 CH2742SQB-1 (42") / CH2748SQB-1 (48")

**-PARA INSTALACIÓN DEBAJO DE UN GABINETE-**



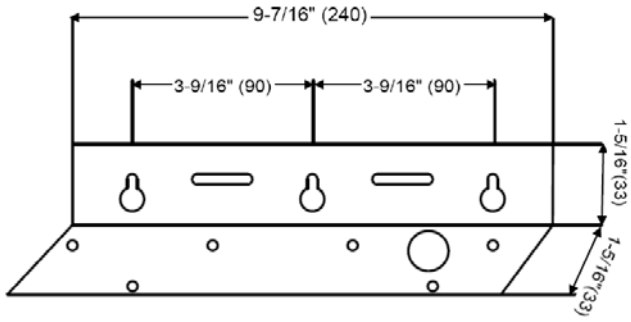
30" = Agujeros preperforados "A"  
 36", 42", 48" = Agujeros preperforados "A" & "B"

**- PARA INSTALACIÓN INDEPENDIENTE (CON CUBIERTA DE CONDUCTOS OPCIONAL)-**

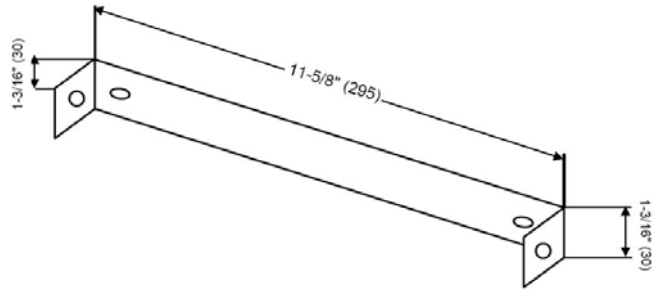




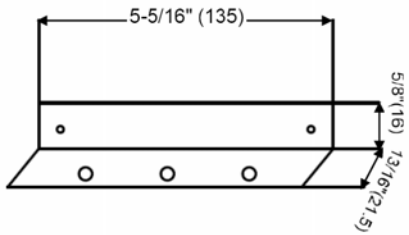
\*\*\*Soporte de Montaje de la Campana



\*\*\*Soporte de Montaje de la Cubierta de Conductos



\*\*\*Soportes para el conducto de la cubierta



## LISTADO DE PIEZAS

For Oil Container models only.

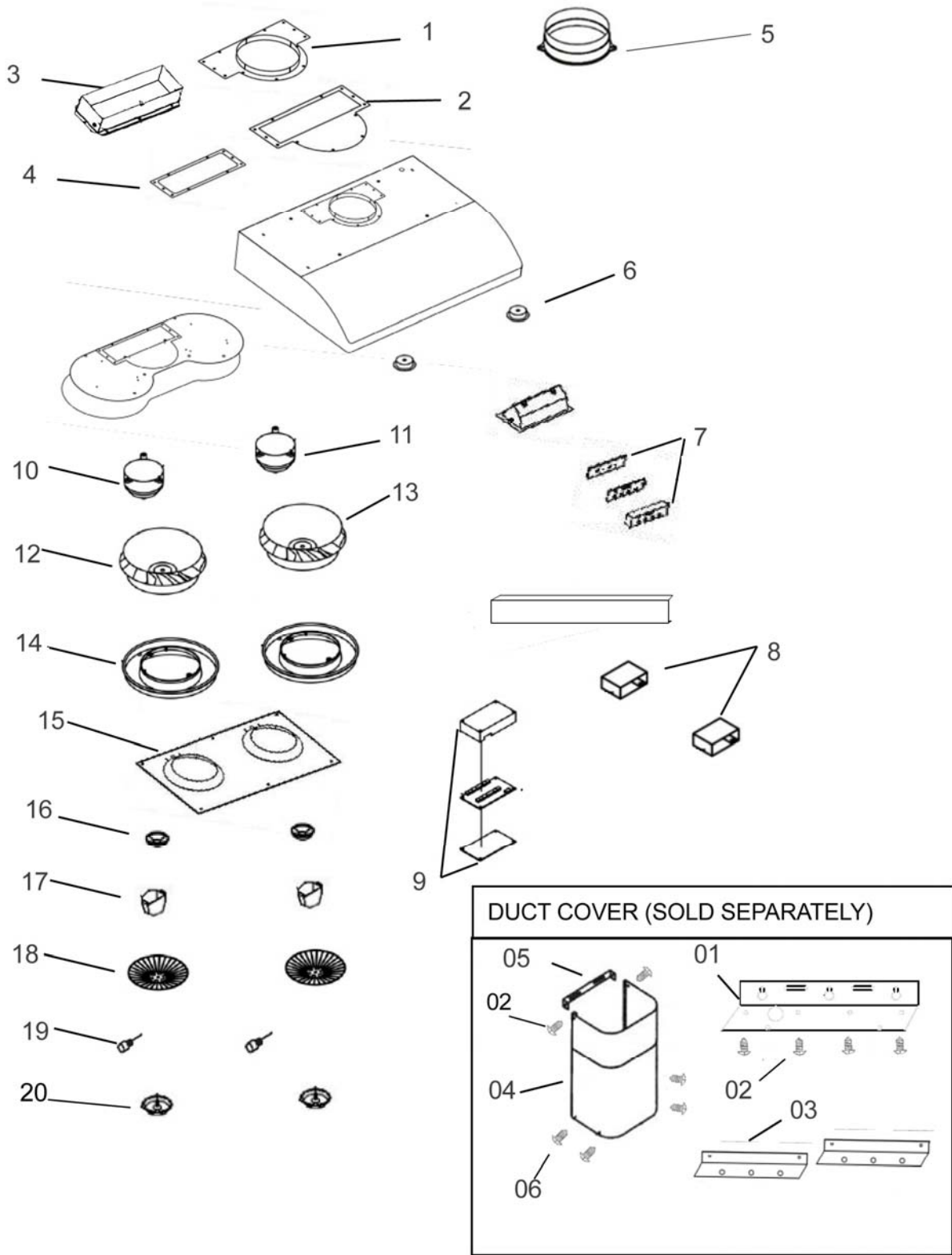
MODELO NO.: CH2230SQ-1 (30")  
CH2236SQ-1 (36")

NO.	DESCRIPTION	MODELO /TAMAÑO .	PIEZA NO.
1	Escape de 6		L1-0241-0001-A
2	Cubierta superior de ventilación		L1-0241-0001-B
3	Escape de 3-1/4" x 10"		L1-0241-0002-A
4	Cubierta de ventilación de 3-1/4" x 10"		L1-0241-0002-B
5	Collar de plástico de 6"		L1-0505-0002
6	LED Light (3W)		L1-0403-0301
7	Placa de Control		L1-0501-6001
8	Condensador (1.5uf+2.0uf / 350V)		L1-0401-0120-6
9	Placa de Procesador		L1-0404-6001
10	Motor (102B)		L1-0301-0120-102B
11	Motor (102A)		L1-0301-0120-102A
12	Impulsor de Turbina (747B)		L1-0251-0747-B
13	Impulsor de Turbina (747A)		L1-0251-0747-A
14	Conducto de plástico para Aceite		L1-0502-0102
15	Carcasa Inferior	CH2230SQ-1 (30")	B101-1630-09
		CH2236SQ-1 (36")	B101-1636-09
16	Cubierta Plástica del Impulsor		L1-0251-0001
17	Recipiente de Aceite (Ovalado)		L1-0504-0101
18	Pantalla de Seguridad		L1-0602-0101
19	Tornillo de la Pantalla de Seguridad		L1-0705-0001
20	Recipiente para Aceite (Redondo)		L1-0503-0101

### Cubierta de Conductos Opcional

NO.	DESCRIPTION	MODELO /TAMAÑO .	PIEZA NO.
01	Soporte de Montaje de la Campana		L1-0221-1630
02	Tornillos (3/16"x3/8") x 6		L1-0707-0002
03	Soportes para el conducto de la cubierta x 2		L1-0208-1630
04	Cubierta de Conductos	CH1120DC-1	12-16300-61
05	Soporte de Montaje de la Cubierta de Conductos		L1-0203-1630
06	Tornillos (TS 4 x 6mm) x 4		L1-0708-0002

For Oil Container models only.  
 MODELO NO.: CH2230SQ-1 (30")  
 CH2236SQ-1 (36")



For Baffle Filter models only.

MODELO NO.: CH2230SQB-1 (30")  
CH2236SQB-1 (36")

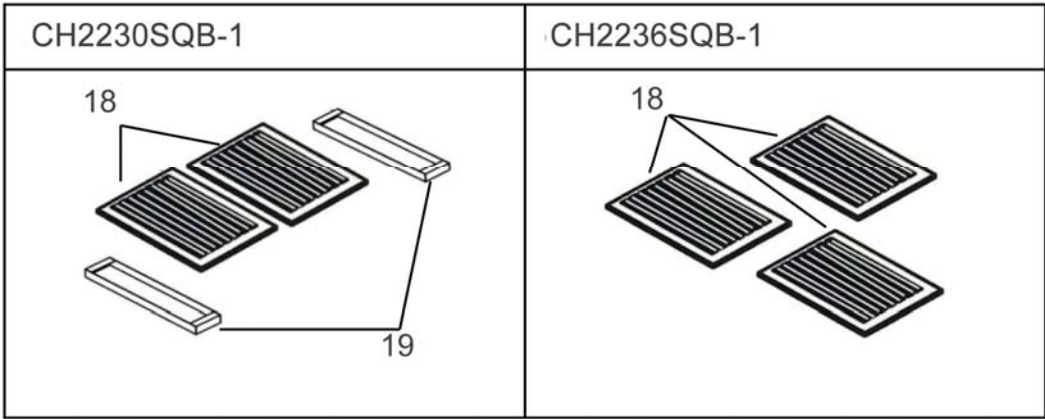
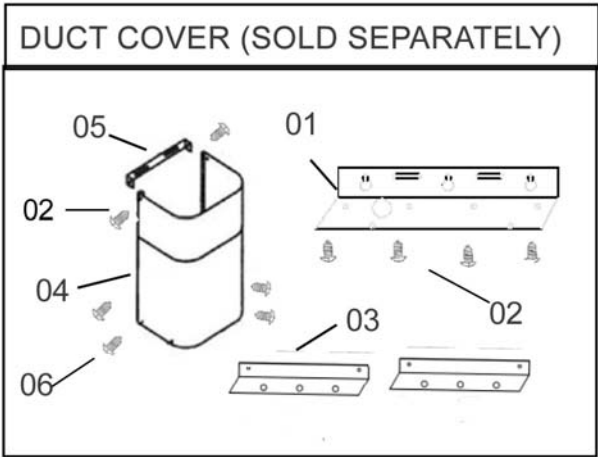
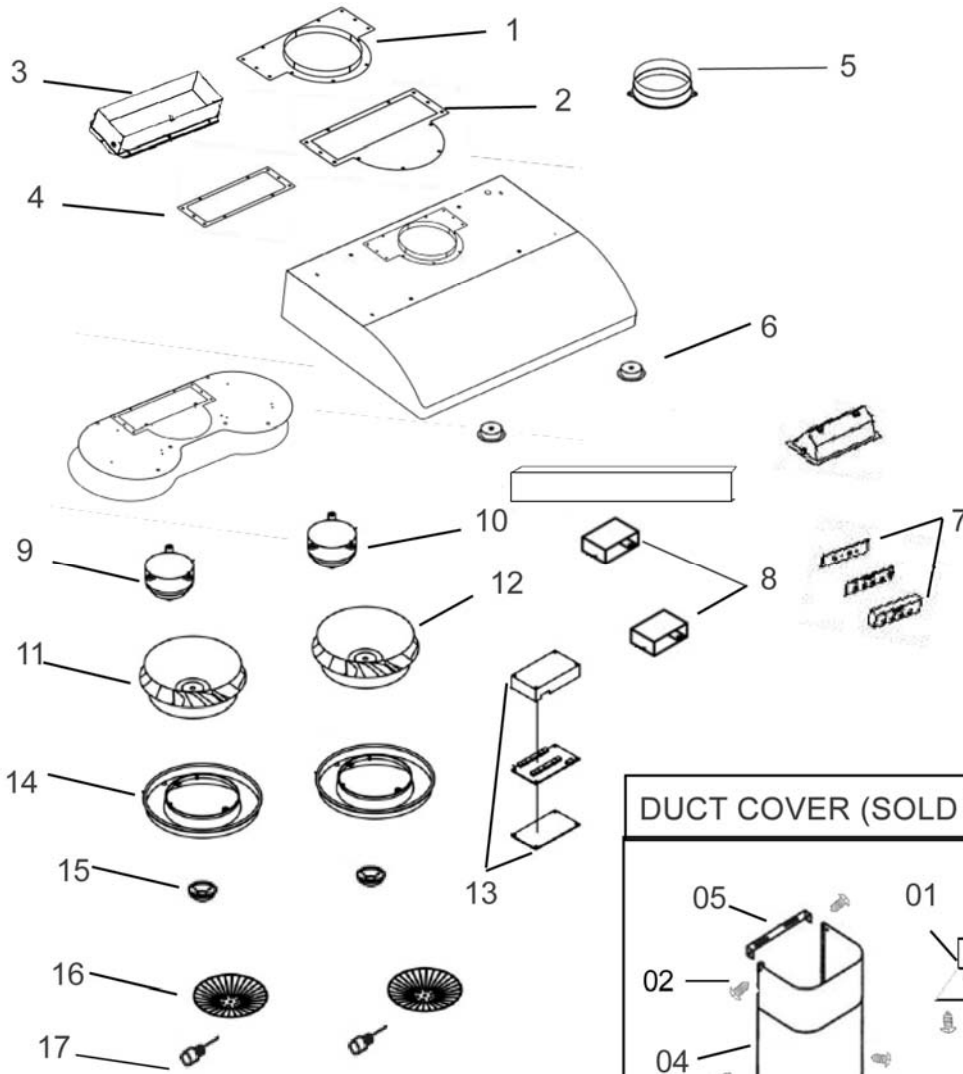
NO.	DESCRIPTION	MODELO /TAMAÑO .	PIEZA NO.
1	Escape de 6		L1-0241-0001-A
2	Cubierta superior de ventilación		L1-0241-0001-B
3	Escape de 3-1/4" x 10"		L1-0241-0002-A
4	Cubierta de ventilación de 3-1/4" x 10"		L1-0241-0002-B
5	Collar de plástico de 6"		L1-0505-0002
6	LED Light (3W)		L1-0403-0301
7	Placa de Control		L1-0501-6001
8	Condensador (1.5uf+2.0uf / 350V)		L1-0401-0120-6
9	Motor (102B)		L1-0301-0120-102B
10	Motor (102A)		L1-0301-0120-102A
11	Impulsor de Turbina (747B)		L1-0251-0747-B
12	Impulsor de Turbina (747A)		L1-0251-0747-A
13	Placa de Procesador		L1-0404-6001
14	Conducto de plástico para Aceite		L1-0502-0101
15	Cubierta Plástica del Impulsor		L1-0251-0001
16	Pantalla de Seguridad		L1-0602-0101
17	Tornillo de la Pantalla de Seguridad		L1-0705-0001
18	Filtro Deflector		L1-0214-0122
19	Carcasa Inferior	CH2230SQB-1 (30")	B101-2230-15

#### Cubierta de Conductos Opcional

NO.	DESCRIPTION	MODELO /TAMAÑO .	PIEZA NO.
01	Soporte de Montaje de la Campana		L1-0221-1630
02	Tornillos (3/16"x3/8") x 6		L1-0707-0002
03	Soportes para el conducto de la cubierta x 2		L1-0208-1630
04	Cubierta de Conductos	CH1120DC-1	12-16300-61
05	Soporte de Montaje de la Cubierta de Conductos		L1-0203-1630
06	Tornillos (TS 4 x 6mm) x 4		L1-0708-0002

For Baffle Filter models only.

MODELO NO.: CH2230SQB-1 (30")  
 CH2236SQB-1 (36")



For Baffle Filters models only.

MODELO NO.: CH2730SQB-1 (30")  
CH2736SQB-1 (36")

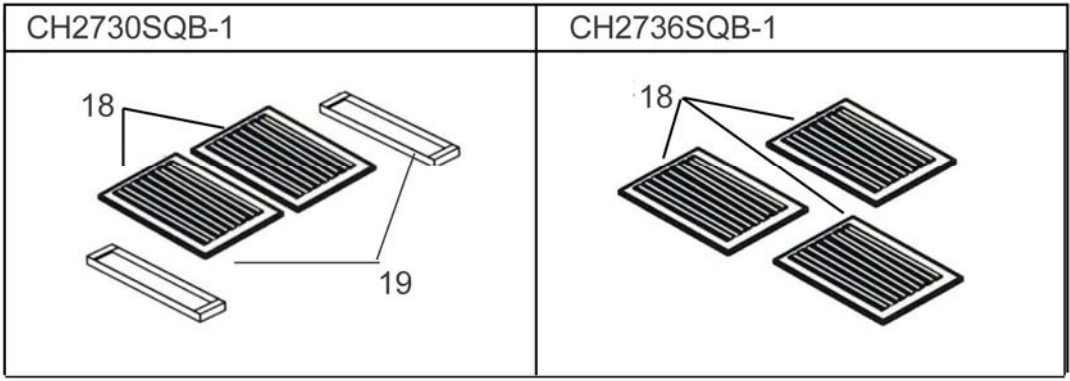
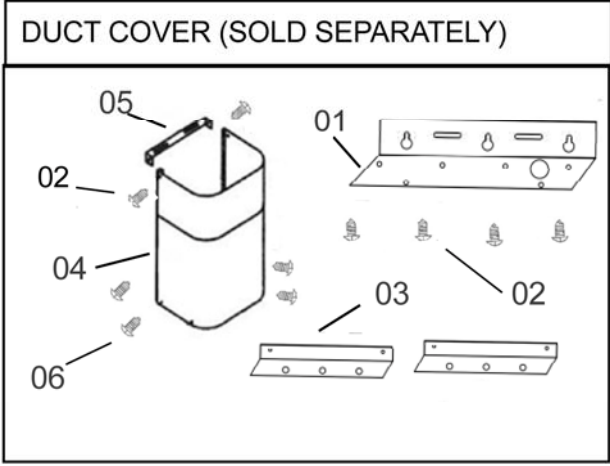
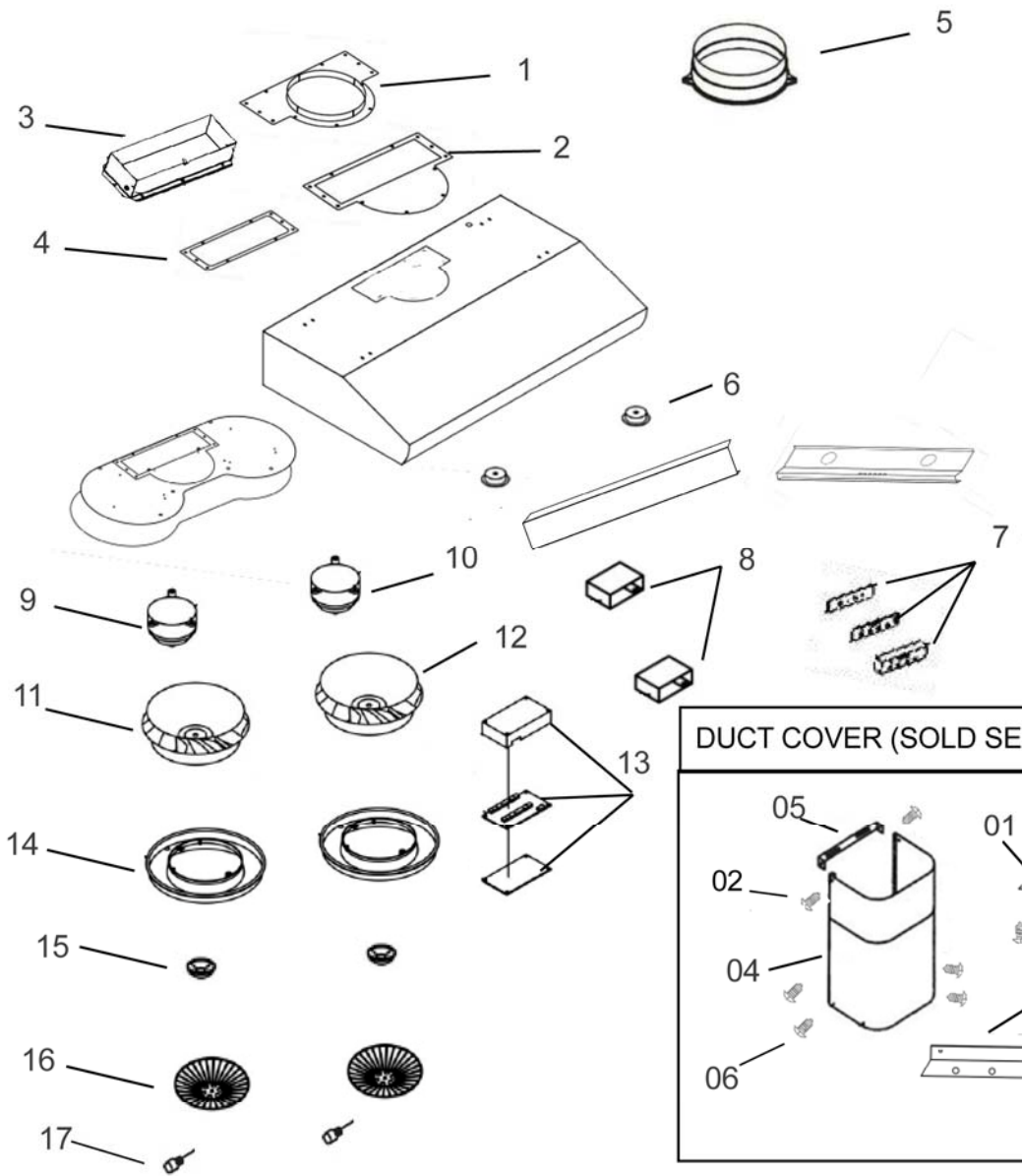
NO.	DESCRIPTION	MODELO /TAMAÑO .	PIEZA NO.
1	Escape de 6		L1-0241-0001-A
2	Cubierta superior de ventilación		L1-0241-0001-B
3	Escape de 3-1/4" x 10"		L1-0241-0002-A
4	Cubierta de ventilación de 3-1/4" x 10"		L1-0241-0002-B
5	Collar de plástico de 6"		L1-0505-0002
6	LED Light (3W)		L1-0403-0301
7	Placa de Control		L1-0501-6001
8	Condensador (1.5uf+2.0uf / 350V)		L1-0401-0120-6
9	Motor (102B)		L1-0301-0120-102B
10	Motor (102A)		L1-0301-0120-102A
11	Impulsor de Turbina (747B)		L1-0251-0747-B
12	Impulsor de Turbina (747A)		L1-0251-0747-A
13	Placa de Procesador		L1-0404-6001
14	Conducto de plástico para Aceite		L1-0502-0101
15	Cubierta Plástica del Impulsor		L1-0251-0001
16	Pantalla de Seguridad		L1-0602-0101
17	Tornillo de la Pantalla de Seguridad		L1-0705-0001
18	Filtro Deflector		L1-0214-0122
19	Carcasa Inferior	CH2730SQB-1 (30")	B101-2230-15

#### Cubierta de Conductos Opcional

NO.	DESCRIPTION	MODELO /TAMAÑO .	PIEZA NO.
01	Soporte de Montaje de la Campana		L1-0221-1630
02	Tornillos (3/16"x3/8") x 6		L1-0707-0002
03	Soportes para el conducto de la cubierta x 2		L1-0208-1630
04	Cubierta de Conductos	CH1120DC-1	12-16300-61
05	Soporte de Montaje de la Cubierta de Conductos		L1-0203-1630
06	Tornillos (TS 4 x 6mm) x 4		L1-0708-0002

For Baffle Filter models only.

MODELO NO.: CH2730SQB-1 (30")  
 CH2736SQB-1 (36")



For Baffle Filters models only.

MODELO NO.: CH2742SQB-1 (42")  
CH2748SQB-1 (48")

NO.	DESCRIPTION	MODELO /TAMAÑO .	PIEZA NO.
1	Escape de 6		L1-0241-0001-A
2	Cubierta superior de ventilación		L1-0241-0001-B
3	Escape de 3-1/4" x 10"		L1-0241-0002-A
4	Cubierta de ventilación de 3-1/4" x 10"		L1-0241-0002-B
5	Collar de plástico de 6"		L1-0505-0002
6	LED Light (3W)		L1-0403-0301
7	Placa de Control		L1-0501-6001
8	Condensador (1.5uf+2.0uf / 350V)		L1-0401-0120-6
9	Motor (102B)		L1-0301-0120-102B
10	Motor (102A)		L1-0301-0120-102A
11	Impulsor de Turbina (747B)		L1-0251-0747-B
12	Impulsor de Turbina (747A)		L1-0251-0747-A
13	Placa de Procesador		L1-0404-6001
14	Conducto de plástico para Aceite		L1-0502-0101
15	Cubierta Plástica del Impulsor		L1-0251-0001
16	Pantalla de Seguridad		L1-0602-0101
17	Tornillo de la Pantalla de Seguridad		L1-0705-0001
18	Filtro Deflector		L1-0214-0122
19	Carcasa Inferior	CH2742SQB-1 (42")	B101-2742-15

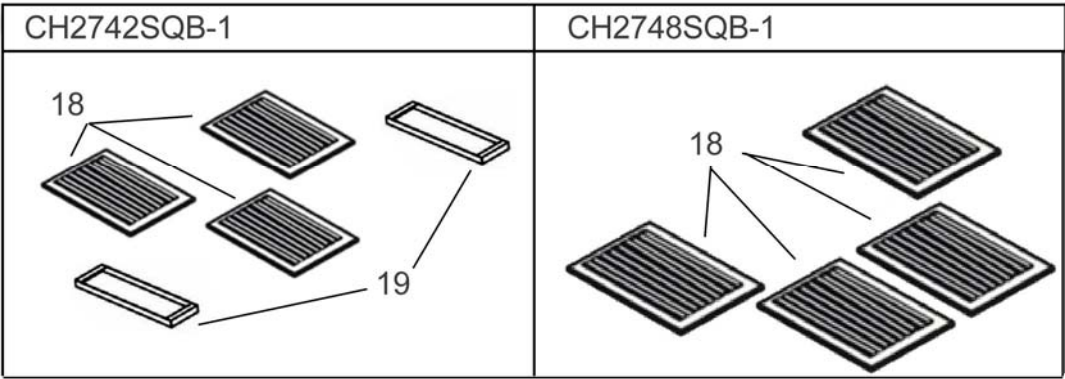
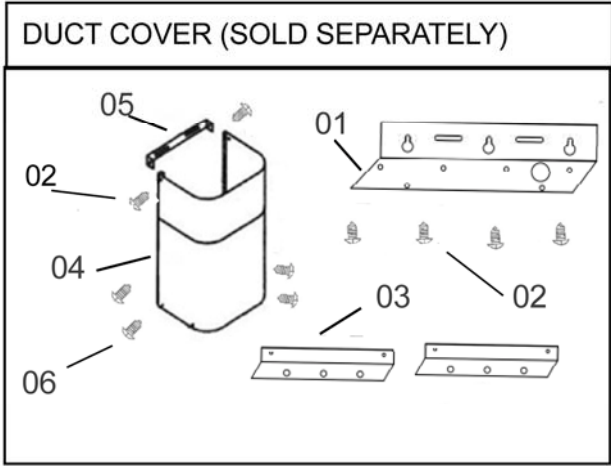
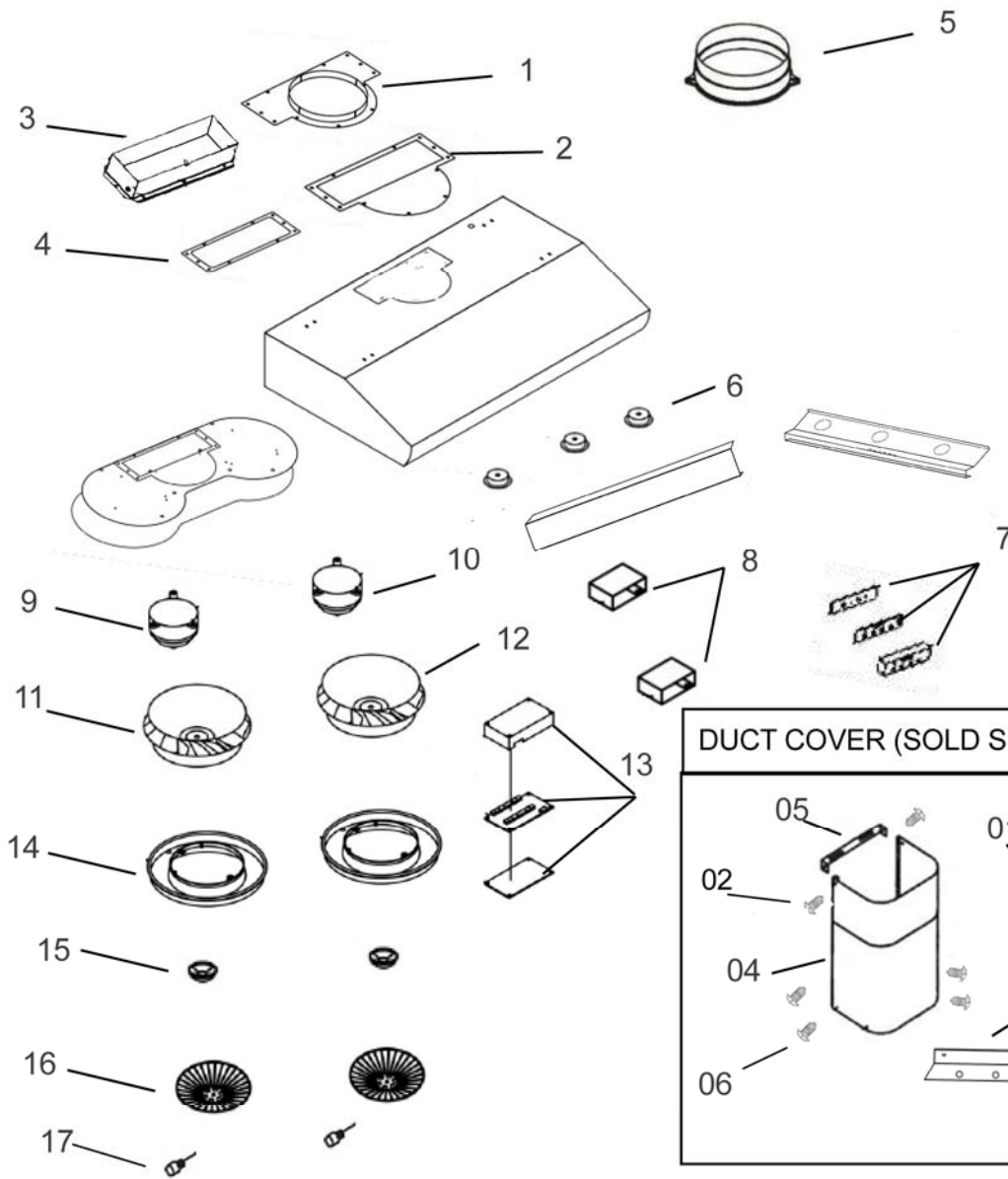
#### Cubierta de Conductos Opcional

NO.	DESCRIPTION	MODELO /TAMAÑO .	PIEZA NO.
01	Soporte de Montaje de la Campana		L1-0221-1630
02	Tornillos (3/16"x3/8") x 6		L1-0707-0002
03	Soportes para el conducto de la cubierta x 2		L1-0208-1630
04	Cubierta de Conductos	CH1120DC-1	12-16300-61
05	Soporte de Montaje de la Cubierta de Conductos		L1-0203-1630
06	Tornillos (TS 4 x 6mm) x 4		L1-0708-0002



For Baffle Filters models only.

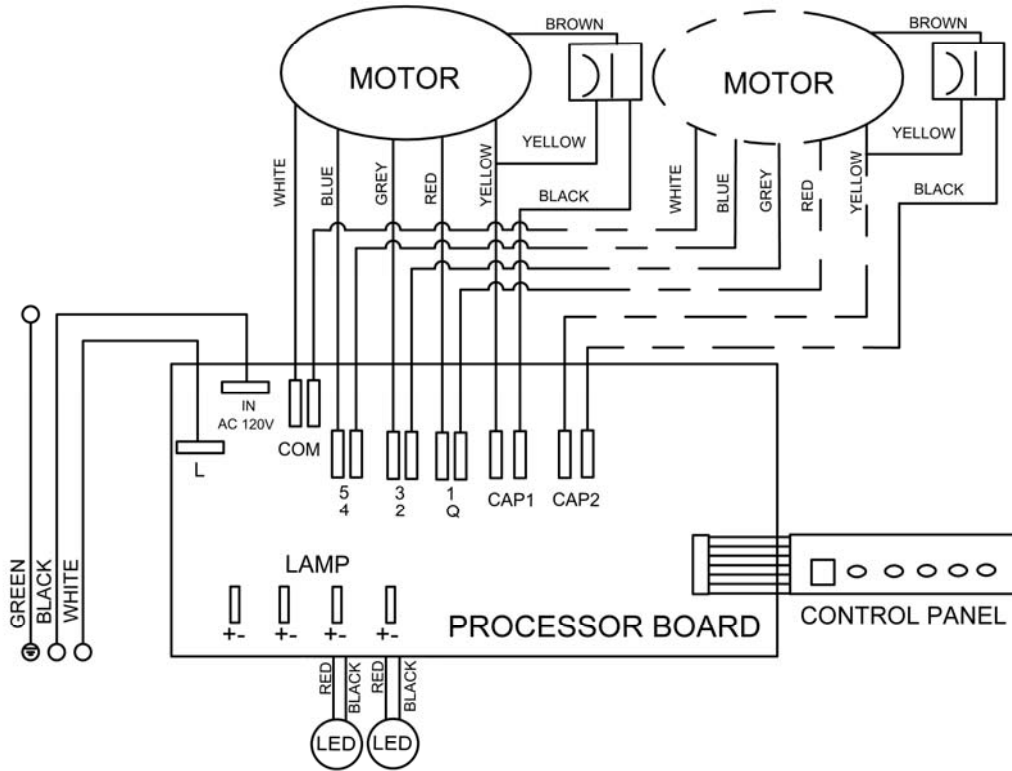
MODELO NO.: CH2742SQB-1 (42")  
 CH2748SQB-1 (48")



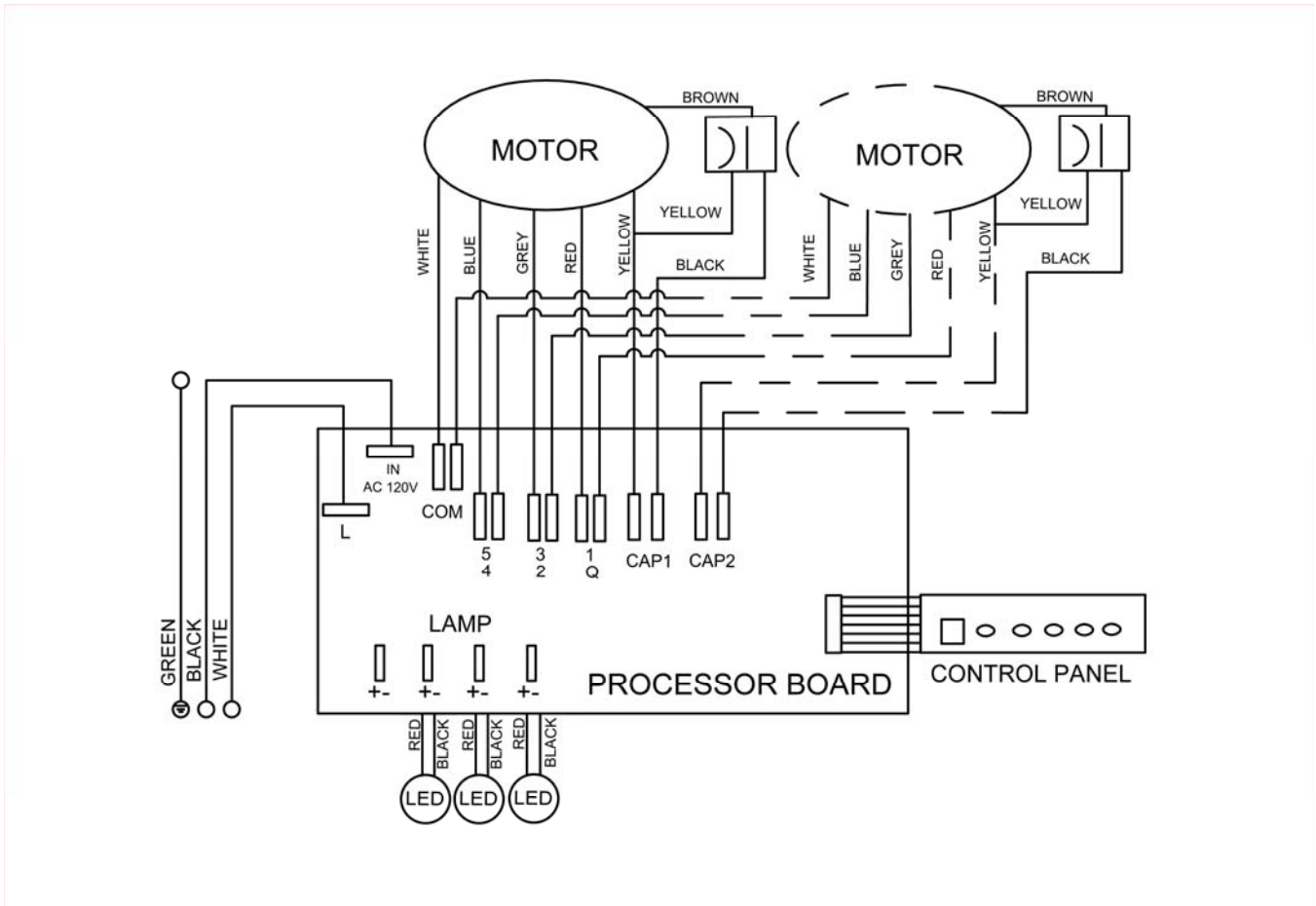
# DIAGRAMA DE CIRCUITO

MODELO NO.: CH2230SQB-1 (30") / CH2236SQB-1 (36")  
CH2230SQ-1 (30") / CH2236SQ-1 (36")

CH2730SQB-1 (30") / CH2736SQB-1 (36")



MODELO NO.: CH2742SQB-1 (42") , CH2748SQB-1 (48")



## TROUBLE SHOOTING

<b>Issue</b>	<b>Possible Cause</b>	<b>Solution</b>
Después de la Instalación, ninguno de los motores ni las luces están funcionando.	No está encendido.	Asegúrese que el interruptor de circuitos y la unidad se encuentren encendidos. Utilice un medidor de voltaje para verificar la energía de entrada.
	La conexión de cables no está bien sujeta.	Verifique y ajuste la conexión de cables.
	El cableado del panel de control y la placa de procesador está desconectado.	Verifique la continuidad del cable desde el panel de control hasta la placa de procesador.
	El panel de control y la placa de procesador están defectuosos.	Reemplace el panel de control o la placa de procesador.
Las luces están funcionando pero el(los) motor(es) no.	El/los motor(es) está(n) defectuoso(s).	Reemplace el motor.
	El/los condensador(es) está(n) defectuoso(s).	Reemplace el(los) condensador(es).
	El panel de control o la placa de procesador están defectuosos.	Reemplace el panel de control o la placa de procesador.
La campana de extracción está vibrando.	El sistema de ventilador no está bien sujeto.	Tighten the turbine impeller/squirrel cage and air chamber.
	El impulsor de turbina/jaula de ardilla no está balanceado.	Ajuste el impulsor de turbina/jaula de ardilla y la cámara de aire.
	La campana no está bien sujeta en su lugar	Verifique la instalación de la campana, ajuste el soporte de montaje.
El motor está funcionando pero las luces no.	La luz(luces) LED está defectuosa.	Reemplace la luz LED.
	El transformador de la luz LED es defectuoso.	Reemplace el transformador de luz LED.
	El panel de control o la placa del procesador es defectuoso.	Reemplace el panel de control o la placa del procesador.
La campana de extracción no está ventilando correctamente	La campana de extracción no se encuentra instalada en el espacio recomendando por el fabricante.	Ajuste el espacio entre la campana y la parte superior de la estufa a 26" a 30". Para la campana de cocina de isla, el espacio entre la campana y la parte superior de la estufa deberá ser de 30" a 36"
	No hay aire de reposición en la casa.	Abra la ventana para optimizar el rendimiento de la campana de extracción creando suficiente aire de reposición.
	Una obstrucción bloquea la red de conductos.	Remueva todas las obstrucciones de la red de conductos.
	El tamaño del tubo es más pequeño que el tubo recomendado.	Cambie los tubos de acuerdo con la recomendación del fabricante.
Aire frío entra en la casa.	La conexión de los conductos no está sellada correctamente.	Verifique la instalación de los tubos
	El regulador no está instalado adecuadamente o no ha sido instalado.	Verifique la instalación del regulador.
	El regulador no está instalado.	Instalar el regulador le ayudará a eliminar el reflujó de aire.

### CERTIFICADO DE GARANTIA

KOBE Range Hoods (denominados aquí como "nosotros" o "nosotros") le garantiza al comprador original (referido aquí como "usted" o "su") todos los productos fabricados o suministrados por nosotros para estar libres de defectos de fabricación y materiales, como sigue:

#### **DOS AÑOS DE GARANTÍA LIMITADA DE LAS PIEZAS Y MANO DE OBRA DE SERIE KOBE PREMIUM:**

Durante dos años a partir de la fecha de la factura original de un distribuidor autorizado de KOBE, nosotros, a nuestra sola discreción, optamos por reparar o reemplazar el producto sin cargo que ha fallado debido a defectos de fabricación.

Solo es su responsabilidad asegurar que el producto es de fácil acceso para el técnico de servicio que realice las reparaciones. **El técnico de servicio no será, en ningún caso, eliminar, alterar o modificar cualquier artefacto construido alrededor y / o conectado al producto para obtener acceso para realizar reparaciones.**

Durante el período de garantía limitada de dos años, pueden aplicar cargos adicionales que incluyen pero no se limitan a:

- Cargos de viaje si el técnico de servicio si la ubicación del servicio requerido es de 30 kilómetros fuera de la zona de servicio autorizada KOBE
- Piezas gastos de envío
- Desinstalación del producto defectuoso e instalación de productos de sustitución

#### **UN AÑO DE GARANTÍA LIMITADA PARA PIEZAS DE KOBE SERIES BRILLIA:**

Durante un año a partir de la fecha de la factura original de un distribuidor autorizado de KOBE, nos proporcionará, sin costo alguno, las piezas para reemplazar los que ha fallado debido a defectos de fabricación. Es nuestra entera discreción, de optar por reparar o sustituir las piezas defectuosas. Es solo su responsabilidad por todos los gastos laborales asociados con esta garantía.

#### **Exclusiones de la garantía:**

Esta garantía no cubre, incluyendo pero no limitado a lo siguiente:

- a. Una instalación incorrecta.
- b. Cualquier reparación, alteración, modificación no autorizada por KOBE.
- c. Alteración del conducto, modificación y conexión.
- d. Incorrecta corriente eléctrica, voltaje o cableado.
- e. El mantenimiento normal y servicios que son requeridos por el producto.
- f. Piezas de consumo como bombillas y filtros de carbono.
- g. Uso inadecuado del producto que no está destinado a, como el uso comercial, uso al aire libre y el uso multifamiliar.
- h. El desgaste normal.
- i. Chips, arañazos o abolladuras por abuso o mal uso del producto.
- j. Los daños causados por accidentes, incendios, inundaciones y otros fenómenos naturales.
- k. Los gastos incurridos por servicios situado fuera del área de servicio designado.
- l. Las compras a distribuidores no autorizados.
- m. Costos de eliminación de productos defectuosos e instalación asociados con el producto de reemplazo.

Si determinamos que las exclusiones de garantía que aparecen arriba son aplicables o si usted no puede proporcionar toda la documentación necesaria para el servicio de garantía, usted será responsable por todos los gastos asociados con el servicio solicitado, incluyendo piezas, mano de obra, transporte, viaje y cualquier otro gasto relacionado con la solicitud de servicio.

Para tener derecho al servicio de garantía, usted debe:

1. Tener el comprobante de compra original
2. Ser el comprador original del producto
3. Tenga el número de modelo
4. Tenga el número de serie
5. Tener una descripción de la naturaleza de cualquier defecto en el producto o pieza

**PARA SOLICITAR EL SERVICIO DE GARANTÍA, POR FAVOR CONTACTE EL CENTRO DE SERVICIO DE KOBE RANGE HOOD :**

CENTRO DE SERVICIO DE KOBE

Tel: 1-855-800-KOBE (5623)

E-mail: [kobe@adcoservice.com](mailto:kobe@adcoservice.com)

## FORMULARIO DE INFORMACION DE GARANTIA

Llene los espacios en blanco y guarde este papel con la factura original en un lugar seguro para el propósito de servicio en el futuro.

1. Fecha de compra : \_\_\_\_\_

2. No. de Modelo : \_\_\_\_\_

3. No. de Serie : \_\_\_\_\_

**Para obtener el servicio de garantía o compra de repuesto de piezas póngase en contacto con:**

KOBE Service Center

Toll Free: 1-855-800-KOBE (5623)

Email: [kobe@adcoservice.com](mailto:kobe@adcoservice.com)

**Para reportarse del problema, póngase en contacto con:**

Toll Free: 1-877-BUY-KOBE (289-5623)

Email: [customer.service@koberangehoods.com](mailto:customer.service@koberangehoods.com)

**Para informaciones del producto:**

Toll free: 1-877-BUY-KOBE (289-5623)

Email: [info@koberangehoods.com](mailto:info@koberangehoods.com)

Sus notas:



KOBE Range Hoods  
11775 Clark Street  
Arcadia, CA 91006 USA

<http://www.KOBERangeHoods.com>

This KOBE hood is made for use in the USA and CANADA only. We do not recommend using this hood overseas as the power supply may not be compatible and may violate the electrical code of that country. **Using a KOBE hood overseas is at your own risk and will void your warranty.**

Cette hotte KOBE est fabriquée pour usage aux États-Unis et au Canada seulement. Il n'est pas recommandé d'utiliser cette hotte à l'étranger puisque l'alimentation électrique pourrait ne pas être compatible et enfreindre le code de l'électricité de ce pays. **L'usage de la hotte KOBE à l'étranger est à votre propre risque et la garantie sera annulée.**

Esta campana de extracción KOBE ha sido fabricada para ser utilizada únicamente en EE.UU. y CANADÁ. No recomendamos la utilización de esta campana en el extranjero debido a que la fuente de energía podría no ser compatible y podría violar el código eléctrico de dicho país. **Utilizar una campana KOBE en el extranjero será a su propio riesgo y anulará la garantía.**

VER.130412

Information subject to change without notice.