

## KENWOOD CORNER SURROUND

### - Installation Instructions -



Leave this manual with party responsible for use and operation.



### CAUTION

Sharp Edges

- Wear protective gloves and safety glasses during installation.



### CAUTION

It is recommended that two people assemble this mantel due to its weight and upright positioning.

### PREPARATION

Before beginning installation of this mantel, verify that the walls and floor in the area of the installation are clean, plumb and level. Any major deviation should be remedied before installing the fireplace, marble or the mantel /cabinet.

These questions should also be considered and answered before beginning installation of the mantel.

- Is base molding already installed?
- Where are the electrical outlets or firebox switch?
- Is there enough distance between windows and edge of cabinet?
- Is the fireplace centered between walls?
- Where is the return air vent located?
- Is the fireplace centered between windows?
- Where are the electrical & cable outlets positioned?
- What type of finished flooring is to be installed?

### CAUTION

- These instructions apply only to the cabinet and facing material that will surround the firebox.
- See the fireplace manufacturer's installation instructions to ensure that all clearance and installation requirements are being met.

### ⚠ WARNING



#### Risk of Fire

- Improper installation or adjustment can cause injury or property damage. For assistance or additional information, contact a qualified installer, service agency or the gas supplier.
- Comply with all minimum clearances to combustibles as specified in the fireplace manual.

### Tools and supplies needed:

#2 Phillips Screwdriver

High Temperature Silicone Caulk

Finishing Nails & Hammer

Level

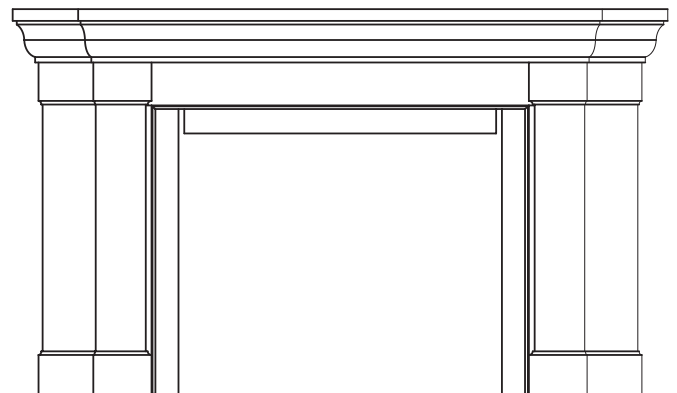
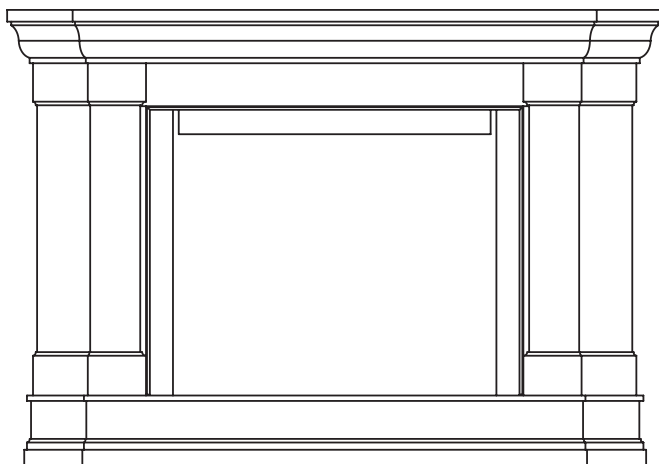


Figure 1. Kenwood Corner Mantel Shown with Optional Base (Left) or without Base (Right).

## Parts List and Diagram

### MANTEL PARTS:

QTY	DESCRIPTION
1	Mantel Top
1	Right Leg
1	Left Leg
1	Face Board
1	Upper Trim
1	Left Trim
1	Right Trim
1	Base (Optional)
2	Side Ledger Board (not shown)
2	Top Ledger Board (not shown)
1	Top Finish Support
2	Side Finish Support

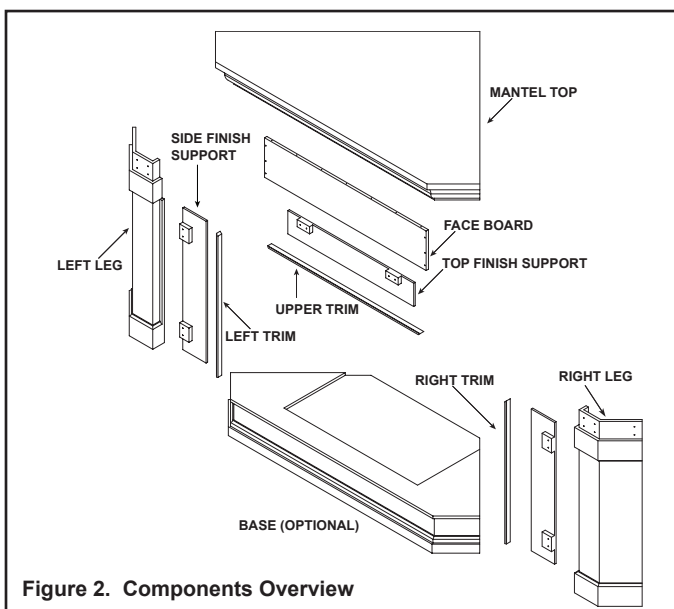


Figure 2. Components Overview

### ASSEMBLE MANTEL

1. Remove all components from packaging. Confirm that all components are included. See Figure 2.

Note: Side and Top finish material supports may come pre-assembled to left and right legs and face board. If they are shipped separately they should be attached prior to step 2.

2. Position left and right mantel legs laying flat on a clean floor.
3. Attach face board to the legs. See Figure 3.
4. Make sure all seams and edges are tight and square.
5. Carefully lift assembly into upright position.
6. Have someone hold the front and legs from the front, and set the mantel top into location. Attach the mantel top. See figure 4.

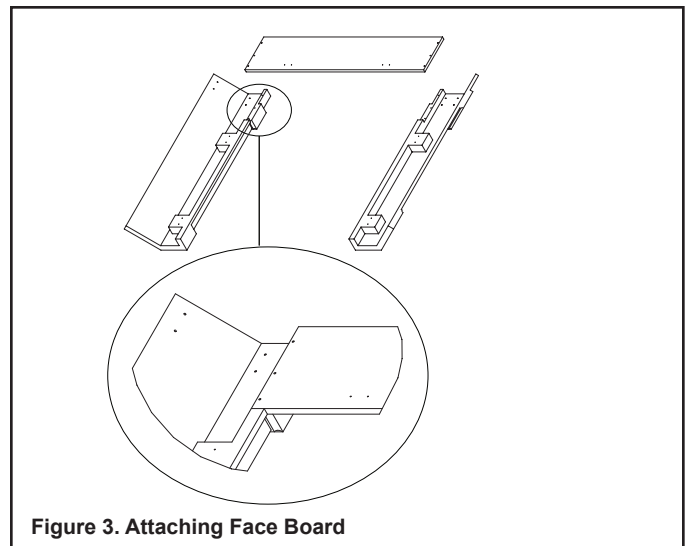


Figure 3. Attaching Face Board

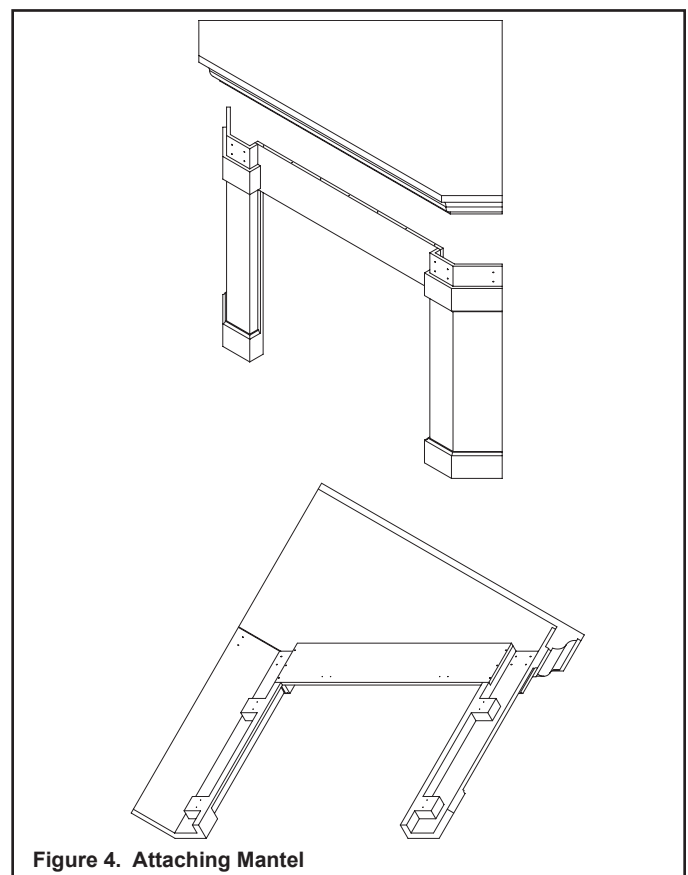



Figure 4. Attaching Mantel

### INSTALLATION

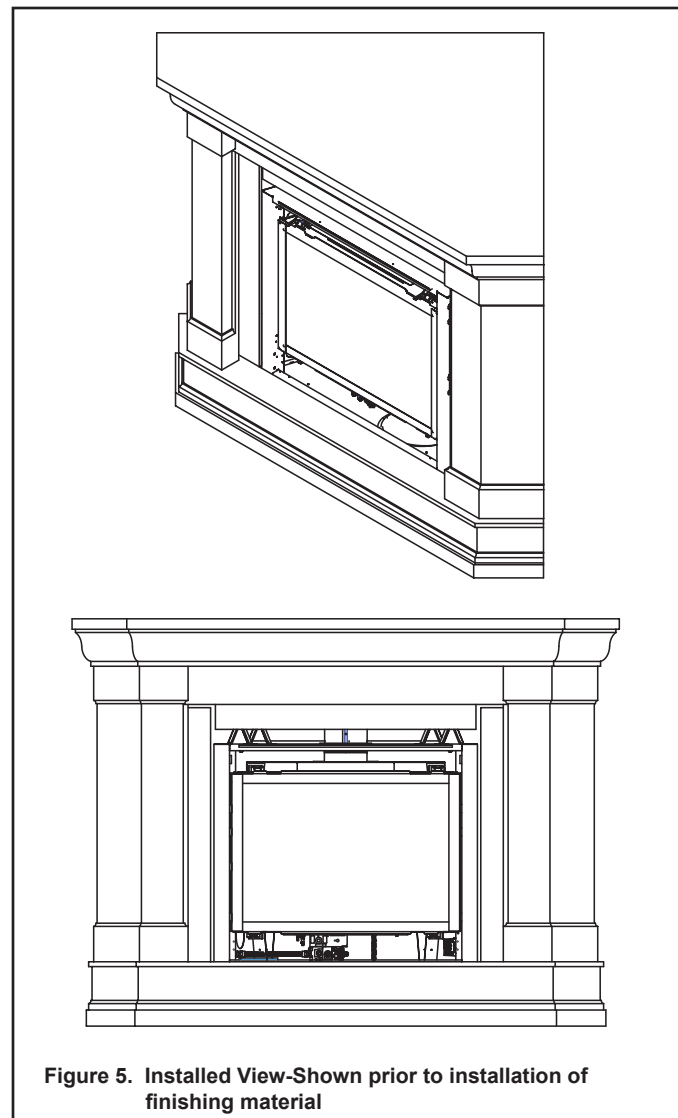
Note: Using the optional base will raise the fireplace by 9-1/4 inches above finished floor level. All dimensional requirements of the fireplace installation manual should be adjusted accordingly. See fireplace installation manual for more details.

1. Position base on the floor in the desired fireplace location (optional).
2. Set Fireplace into position.
3. Carefully position mantel in desired location.

4. Adjust fireplace position to align properly with mantel.
5. Mark final location of fireplace.
6. Using a sharp pencil, draw lines across the back edges of the mantel and also on the outside edges of the vertical legs.
7. Carefully remove the mantel and fireplace from the base.
8. Measure 3/4 in. down from the top lines, and 3/4 in. in from the side lines. Mark 2 points off of each line, and draw corresponding line. These lines will be used to locate the top and side ledger boards.
9. Using a stud finder or other method, mark off the locations of the vertical studs that intersect with the top edges of the mantel. Attach the top and side ledger boards using 3" drywall screws.
10. Install fireplace according to instructions in fireplace installation manual.

	<p><b>WARNING</b></p> <p>Risk of Fire</p> <ul style="list-style-type: none"> <li>• When being installed in a corner cabinet, SL-TRS models (SL-350TRS, SL-550TRS, SL-750TRS) MUST be rear vented using one 90° elbow off the rear of the unit and an additional 90° elbow to vent out through the wall. See fireplace installation manual for more details.</li> <li>• Failure to vent appropriately may cause excessive heat and/or fire.</li> </ul>
---	---

11. Place the mantel in the corner with the top resting on the ledger board. Pre-drill holes down through the top of the mantel into the ledger board. Pre-drill holes through the legs of the mantel into the side ledger boards. Attach the mantel to the ledger boards using nails through the pre-drilled holes. Caulk sides of mantel if needed with silicone caulk.
12. Install non-combustible facing material with a maximum thickness of 1 inch.
13. To install trim strips, place the top, left and right trim strips in position. Cut trim strips to length. Pre-drill holes in trim strips and attach them to mantel using nails. Be careful not to hit the facing material when nailing the trim strips in place.



**Figure 5. Installed View-Shown prior to installation of finishing material**

Please contact your Heat & Glo dealer with any questions or concerns.  
For the location of your nearest Heat & Glo dealer, please visit [www.heatnglo.com](http://www.heatnglo.com).

Heat & Glo, a brand of Hearth & Home Technologies Inc.  
20802 Kensington Boulevard, Lakeville, MN 55044  
[www.heatnglo.com](http://www.heatnglo.com)