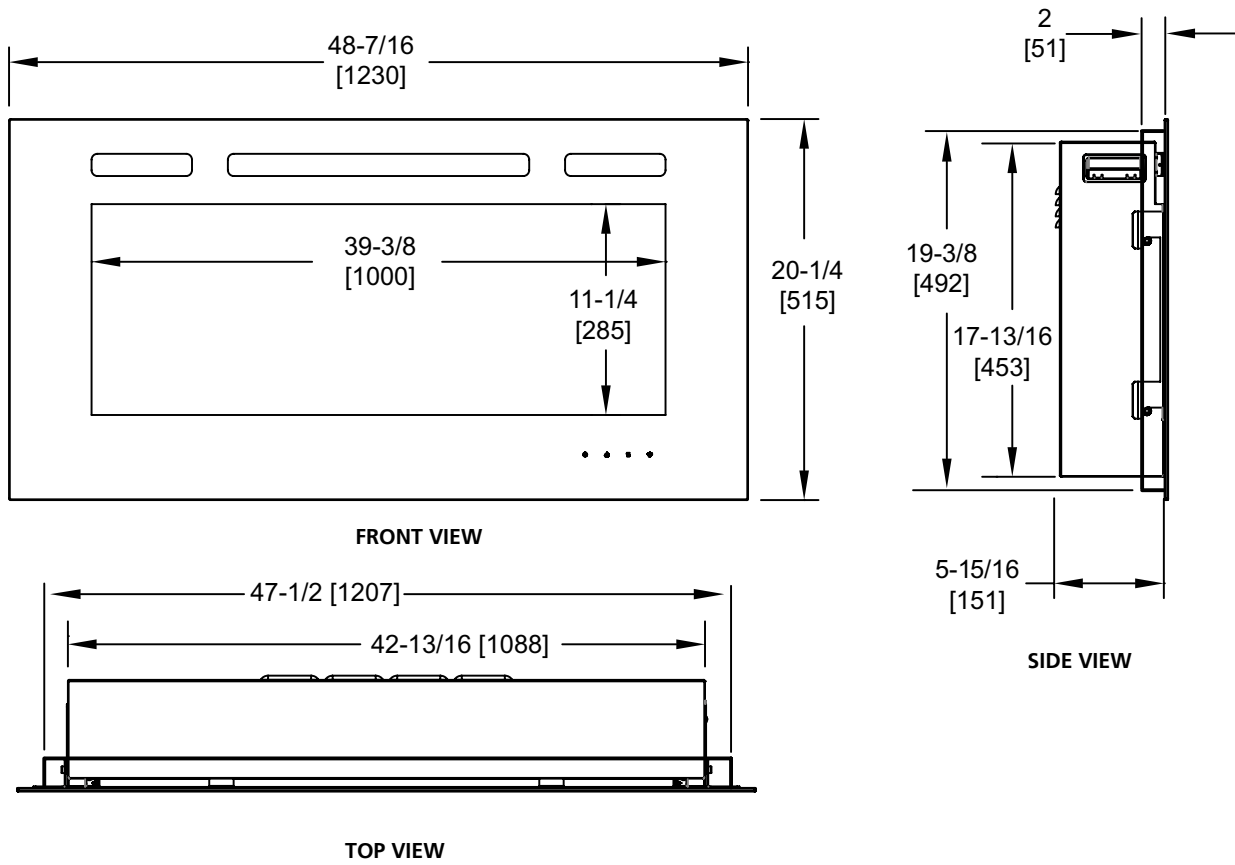




Please consult the manufacturer's installation manual for all details and requirements before making a final design layout decision.

Allusion 48" Recessed Linear Electric Fireplace

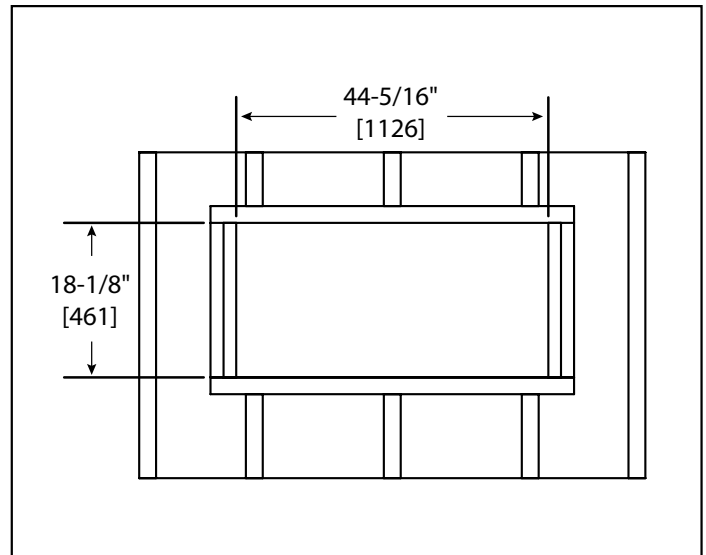
MODEL	WIDTH			HEIGHT			DEPTH	VIEWING AREA
	GLASS	UNIT	BACK	GLASS	UNIT	BACK		
SF-ALL48-BK	48-7/16" [1230]	47-1/2" [1207]	42-13/16" [1088]	20-1/4" [515]	19-3/8" [492]	17-13/16" [453]	5-15/16" [151]	39-3/8" x 11-1/4" [1000 x 285]



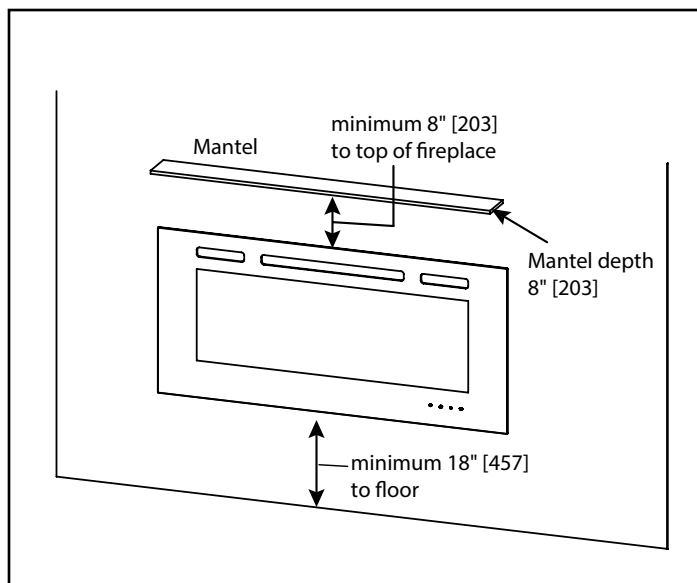
MINIMUM CLEARANCES TO COMBUSTIBLES

AREA	CLEARANCE
SIDES	0"
FLOOR	18"
TOP	0"
BACK	0"
FRONT	36" [914]

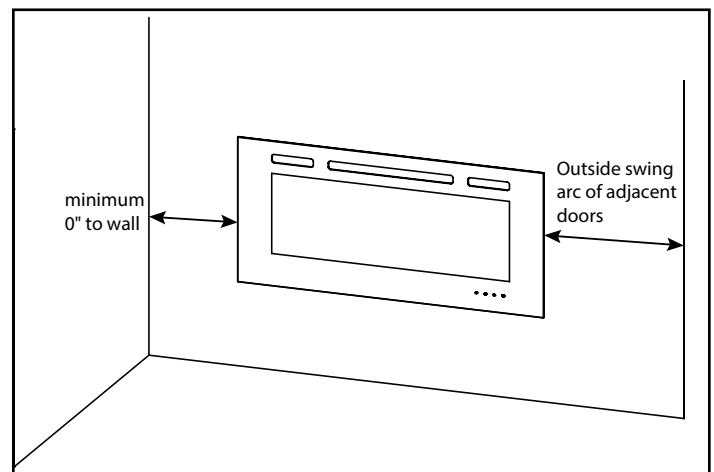
FINISHING DIMENSIONS



MANTEL PROJECTIONS



APPLIANCE LOCATION



PRODUCT LISTING CODES	
US	CSA 22.2 No 46-M1988
INTERNATIONAL	CSA 22.2 No 46-M1988

Product information provided is not complete and is subject to change without notice. Product installation must adhere strictly to instructions accompanying product to avoid risk of fire and potential injury.

Additional information can be found online at www.fireplaces.com