

**INSTALLER: LEAVE THIS MANUAL WITH THE APPLIANCE.
 CONSUMER: RETAIN THIS MANUAL FOR FUTURE REFERENCE.
 NEVER LEAVE CHILDREN OR OTHER AT RISK INDIVIDUALS ALONE WITH THE APPLIANCE.**

EN

FR
 PG
 67



INSTALLATION AND OPERATING INSTRUCTIONS

CONFORMS TO AMERICAN NATIONAL STANDARDS: ANSI Z21.50, CERTIFIED TO CANADIAN CSA 2.22 FOR VENTED GAS FIREPLACES.

CERTIFIED FOR CANADA AND UNITED STATES USING ANSI/CSA METHODS.

SAFETY INFORMATION

! WARNING

If the information in these instructions are not followed exactly, a fire or explosion may result causing property damage, personal injury or loss of life.

- Do not store or use gasoline or other flammable vapors and liquids in the vicinity of this or any other appliance.
- **WHAT TO DO IF YOU SMELL GAS:**
 - Do not try to light any appliance.
 - Do not touch any electrical switch; do not use any phone in your building.
 - Immediately call your gas supplier from a neighbour's phone. Follow the gas supplier's instructions.
 - If you cannot reach your gas supplier, call the fire department.
- Installation and service must be performed by a qualified installer, service agency or the supplier.

This appliance may be installed in an aftermarket, permanently located, manufactured home (USA only) or mobile home, where not prohibited by local codes.

This appliance is only for use with the type of gas indicated on the rating plate. This appliance is not convertible for use with other gases, unless a certified kit is used.

Decorative Product: Not for use as a heating appliance.

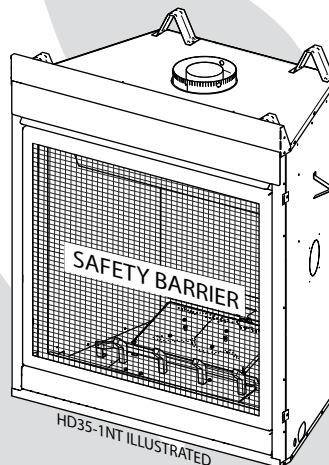


BARRIER



HD35NT-1, HD40NT-1 & HD46NT-1
 NATURAL GAS

HD35PT-1, HD40PT-1 & HD46PT-1
 PROPANE



! DANGER

HOT GLASS WILL CAUSE BURNS.



DO NOT TOUCH GLASS UNTIL COOLED.

NEVER ALLOW CHILDREN TO TOUCH GLASS.

A barrier designed to reduce the risk of burns from the hot viewing glass is provided with this appliance and shall be installed for the protection of children and other at-risk individuals.

Wolf Steel Ltd., 24 Napoleon Rd., Barrie, ON, L4M 0G8 Canada /
 103 Miller Drive, Crittenden, Kentucky, USA, 41030

Phone (705)721-1212 • Fax (705)722-9081 • www.napoleonfireplaces.com • hearth@napoleonproducts.com

TABLE OF CONTENTS

1.0	INSTALLATION OVERVIEW	3
1.1	USING COMBUSTIBLE MATERIAL	3
2.0	INTRODUCTION	4
2.1	DIMENSIONS	5
2.2	GENERAL INSTRUCTIONS	6
2.3	GENERAL INFORMATION	7
2.4	RATING PLATE INFORMATION	8
3.0	VENTING	9
3.1	VENTING LENGTHS AND COMPONENTS	9
3.2	TYPICAL VENT INSTALLATIONS	10
3.3	SPECIAL VENT INSTALLATIONS	11
3.3.1	PERISCOPE TERMINATION	11
3.3.2	CORNER TERMINATION	11
3.4	VENT TERMINAL CLEARANCES	12
3.5	VENT APPLICATION FLOW CHART	13
3.6	DEFINITIONS	13
3.7	ELBOW VENT LENGTHS	13
3.8	HORIZONTAL TERMINATION	14
3.9	VERTICAL TERMINATION	16
3.10	CO-AXIAL TO CO-LINEAR VENTING	18
4.0	INSTALLATION	19
4.1	WALL AND CEILING PROTECTION	19
4.1.1	HORIZONTAL INSTALLATION	20
4.1.2	VERTICAL INSTALLATION	20
4.2	USING FLEXIBLE VENT COMPONENTS	21
4.2.1	HORIZONTAL AIR TERMINAL INSTALLATION	21
4.2.2	VERTICAL AIR TERMINAL INSTALLATION	22
4.3	USING RIGID VENT COMPONENTS	23
4.3.1	HORIZONTAL AIR TERMINAL INSTALLATION	23
4.3.2	EXTENDED HORIZONTAL AIR TERMINAL INSTALLATION	23
4.3.3	VERTICAL VENTING INSTALLATION	24
4.4	MOBILE HOME	25
4.5	ACCESS PANEL FOR GAS LINE CONNECTION	25
4.6	GAS INSTALLATION	26
5.0	FRAMING	27
5.1	MINIMUM CLEARANCE TO COMBUSTIBLES	29
5.2	MINIMUM CLEARANCE TO COMBUSTIBLE ENCLOSURES	30
5.3	INSTALLING NON-COMBUSTIBLE BOARD	31
5.4	ALCOVE INSTALLATION	32
5.5	MINIMUM MANTEL CLEARANCES	33
5.6	NON-COMBUSTIBLE FACING MATERIAL	33
6.0	FINISHING	34
6.1	SAFETY SCREEN REMOVAL / INSTALLATION	34
6.2	GLASS DOOR REMOVAL / INSTALLATION	35
6.3	LOG PLACEMENT	36
6.4	GLOWING EMBER PLACEMENT	38
6.5	CHARCOAL EMBERS	38
6.6	OPTIONAL VERMICULITE	38
6.7	LAVA ROCK	38
6.8	OPTIONAL CHARCOAL LUMPS (STANDARD ON HD46-1)	38
6.9	LOGO PLACEMENT	38
7.0	OPTIONAL BLOWER INSTALLATION	39
7.1	ACCESSING THE BLOWER	39
7.2	INSTALLING THE BLOWER	40
8.0	WIRING DIAGRAM / ELECTRICAL INFORMATION	41
8.1	WIRING REQUIREMENTS	41
8.2	OPTIONAL ACCESSORIES REQUIREMENTS	41
8.3	JUNCTION BOX INSTALLATION	42
8.4	WIRING DIAGRAM	43
9.0	OPERATION	44
10.0	ADJUSTMENT	45
10.1	PRESSURE ADJUSTMENT	45
10.2	VENTURI ADJUSTMENT	45
10.3	FLAME CHARACTERISTICS	46
11.0	MAINTENANCE	46
11.1	ANNUAL MAINTENANCE	47
11.2	DOOR GLASS REPLACEMENT	48
11.3	CARE OF GLASS	48
11.4	CARE OF PLATED PARTS	48
12.0	REPLACEMENT PARTS	49
12.1	HD35-1 OVERVIEW	50
12.2	HD35-1 VALVE TRAIN ASSEMBLY	51
12.3	HD40-1 OVERVIEW	52
12.4	HD40-1 VALVE TRAIN ASSEMBLY	53
12.5	HD46-1 OVERVIEW	54
12.6	HD46-1 VALVE TRAIN ASSEMBLY	55
13.0	HD35-1 ACCESSORIES	56
14.0	HD40-1 ACCESSORIES	58
15.0	HD46-1 ACCESSORIES	60

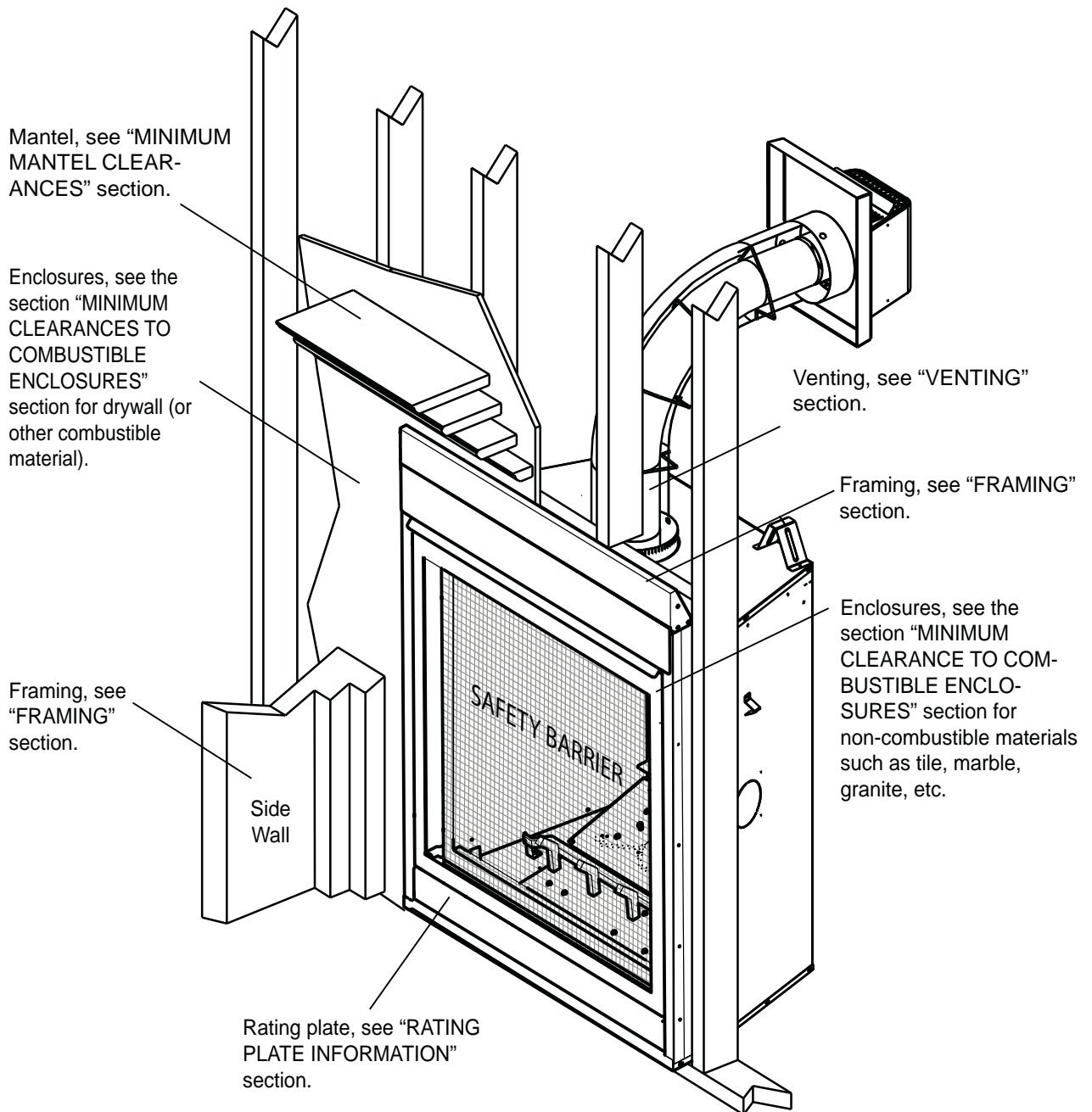
16.0	TROUBLESHOOTING
17.0	WARRANTY
18.0	SERVICE HISTORY

62
64
65

NOTE: Changes, other than editorial, are denoted by a vertical line in the margin.

1.0 INSTALLATION OVERVIEW

1.1 USING COMBUSTIBLE MATERIAL

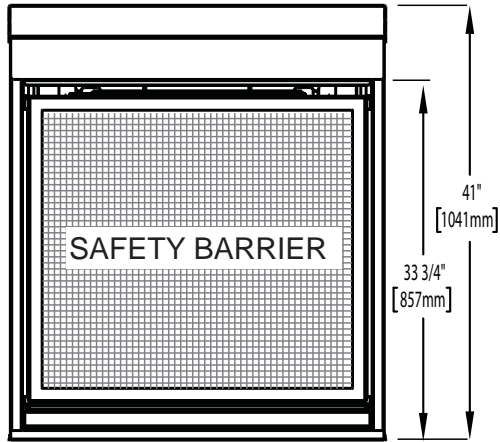


Batteries must be disposed of according to the local laws and regulations. Some batteries may be recycled, and may be accepted for disposal at your local recycling center. Check with your municipality for recycling instructions.

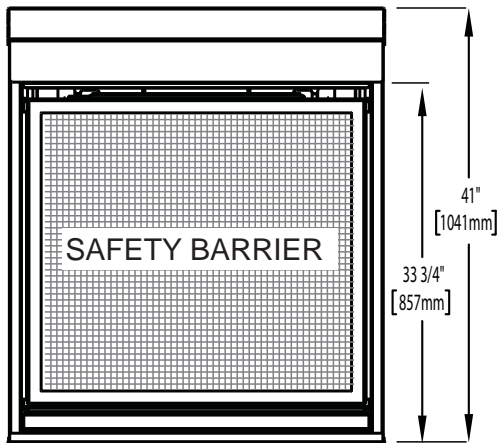
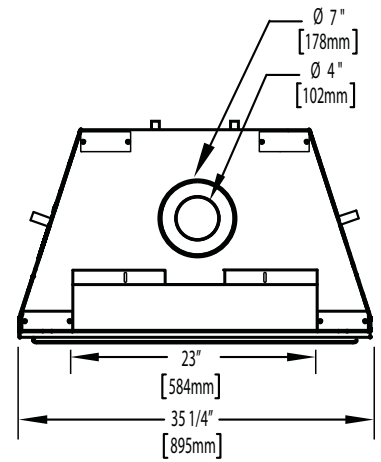
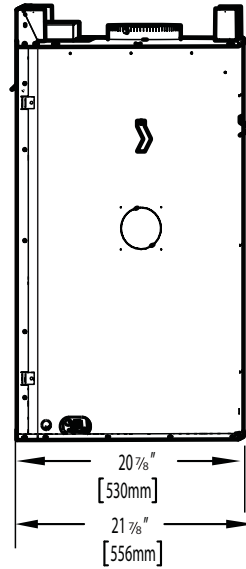
! WARNING

- **THIS APPLIANCE IS HOT WHEN OPERATED AND CAN CAUSE SEVERE BURNS IF CONTACTED.**
- **ANY CHANGES OR ALTERATIONS TO THIS APPLIANCE OR ITS CONTROLS CAN BE DANGEROUS AND IS PROHIBITED.**
- Do not operate appliance before reading and understanding operating instructions. Failure to operate appliance according to operating instructions could cause fire or injury.
- Risk of fire or asphyxiation do not operate appliance with fixed glass removed.
- Do not connect 110 volts to the control valve.
- Risk of burns. The appliance should be turned off and cooled before servicing.
- Do not install damaged, incomplete or substitute components.
- Risk of cuts and abrasions. Wear protective gloves and safety glasses during installation. Sheet metal edges may be sharp.
- Do not burn wood or other materials in this appliance.
- **Children and adults should be alerted to the hazards of high surface temperature and should stay away to avoid burns or clothing ignition.**
- **Young children should be carefully supervised when they are in the same room as the appliance. Toddlers, young children and others may be susceptible to accidental contact burns. A physical barrier is recommended if there are at risk individuals in the house. To restrict access to an appliance, install an adjustable safety gate to keep toddlers, young children and other at risk individuals out of the room and away from hot surfaces.**
- **Clothing or other flammable material should not be placed on or near the appliance.**
- **Due to high temperatures, the appliance should be located out of traffic and away from furniture and draperies.**
- Ensure you have incorporated adequate safety measure to protect infants/toddlers from touching hot surfaces.
- Even after the appliance is out, the glass and/or screen will remain hot for an extended period of time.
- Check with your local hearth specialty dealer for safety screens and hearth guards to protect children from hot surfaces. These screens and guards must be fastened to the floor.
- **Any safety screen, guard or barrier removed for servicing the appliance, must be replaced prior to operating the appliance.**
- The appliance is a vented gas-fired appliance. Do not burn wood or other materials in the appliance
- It is imperative that the control compartments, burners and circulating blower and its passageway in the appliance and venting system are kept clean. The appliance and its venting system should be inspected before use and at least annually by a qualified service person. More frequent cleaning may be required due to excessive lint from carpeting, bedding material, etc. The appliance area must be kept clear and free from combustible materials, gasoline and other flammable vapors and liquids.
- Under no circumstances should this appliance be modified.
- This appliance must not be connected to a chimney flue pipe serving a separate solid fuel burning appliance.
- Do not use this appliance if any part has been under water. Immediately call a qualified service technician to inspect the appliance and to replace any part of the control system and any gas control which has been under water.
- Do not operate the appliance with the glass door removed, cracked or broken. Replacement of the glass should be done by a licensed or qualified service person.
- Do not strike or slam shut the appliance glass door.
- When equipped with pressure relief doors, they must be kept closed while the appliance is operating to prevent exhaust fumes containing carbon monoxide, from entering into the home. Temperatures of the exhaust escaping through these openings can also cause the surrounding combustible materials to overheat and catch fire.
- **Only doors / optional fronts certified with the appliance are to be installed on the appliance.**
- Keep the packaging material out of reach of children and dispose of the material in a safe manner. As with all plastic bags, these are not toys and should be kept away from children and infants.
- As with any combustion appliance, we recommend having your appliance regularly inspected and serviced as well as having a Carbon Monoxide Detector installed in the same area to defend you and your family against Carbon Monoxide.
- Ensure clearances to combustibles are maintained when building a mantel or shelves above the appliance. Elevated temperatures on the wall or in the air above the appliance can cause melting, discolouration or damage of decorations, a T.V. or other electronic components.
- **A barrier designed to reduce the risk of burns from the hot viewing glass is provided with this appliance and shall be installed.**
- **If the barrier becomes damaged, the barrier shall be replaced with the manufacturer's barrier for this appliance.**
- **Installation and repair should be done by a qualified service person. The appliance should be inspected before use and at least annually by a professional service person. More frequent cleaning may be required due to excessive lint from carpeting, bedding material, etc. It is imperative that control compartments, burners and circulating air passageways of the appliance be kept clean.**

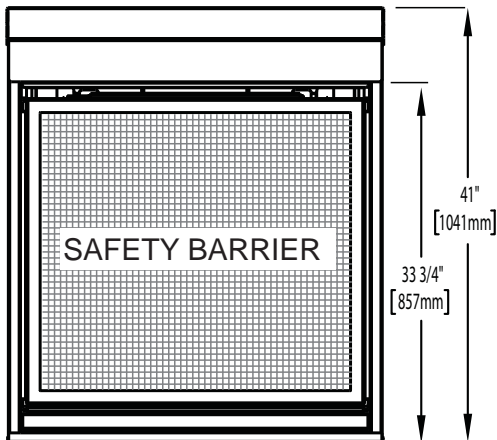
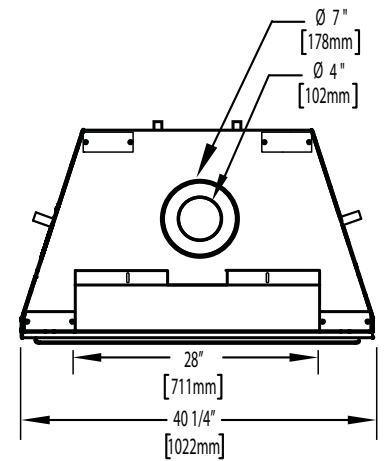
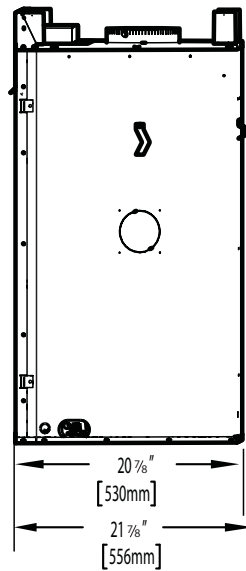
2.1 DIMENSIONS



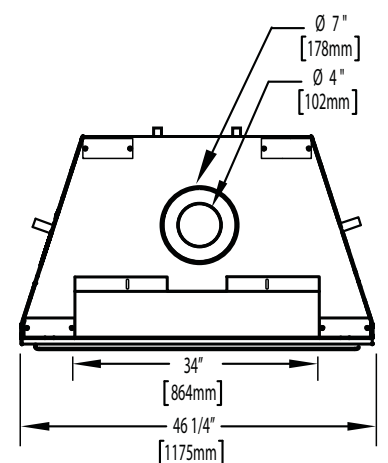
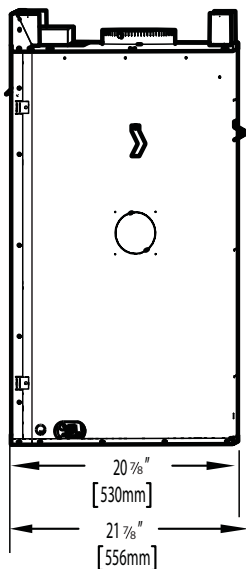
HD35-1 ILLUSTRATED



HD40-1 ILLUSTRATED



HD46-1 ILLUSTRATED



2.2 GENERAL INSTRUCTIONS

! WARNING
ALWAYS LIGHT THE PILOT WHETHER FOR THE FIRST TIME OR IF THE GAS SUPPLY HAS RUN OUT, WITH THE GLASS DOOR OPENED OR REMOVED.
PROVIDE ADEQUATE CLEARANCE FOR SERVICING AND OPERATING THE APPLIANCE.
PROVIDE ADEQUATE VENTILATION.
NEVER OBSTRUCT THE FRONT OPENING OF THE APPLIANCE.
OBJECTS PLACED IN FRONT OF THE APPLIANCE MUST BE KEPT A MINIMUM OF 48" (1219mm) FROM THE FRONT FACE OF THE APPLIANCE.
SURFACES AROUND AND ESPECIALLY ABOVE THE APPLIANCE CAN BECOME HOT. AVOID CONTACT WHEN THE APPLIANCE IS OPERATING.
FIRE RISK. EXPLOSION HAZARD.
HIGH PRESSURE WILL DAMAGE VALVE. DISCONNECT GAS SUPPLY PIPING BEFORE PRESSURE TESTING GAS LINE AT TEST PRESSURES ABOVE 1/2 PSIG. CLOSE THE MANUAL SHUT-OFF VALVE BEFORE PRESSURE TESTING GAS LINE AT TEST PRESSURES EQUAL TO OR LESS THAN 1/2 PSIG (35mb).
USE ONLY WOLF STEEL APPROVED OPTIONAL ACCESSORIES AND REPLACEMENT PARTS WITH THIS APPLIANCE. USING NON-LISTED ACCESSORIES (BLOWERS, DOORS, LOUVRES, TRIMS, GAS COMPONENTS, VENTING COMPONENTS, ETC.) COULD RESULT IN A SAFETY HAZARD AND WILL VOID THE WARRANTY AND CERTIFICATION.
THE APPLIANCE MUST NOT BE OPERATED AT TEMPERATURES BELOW FREEZING (32°F / 0°C). ALLOW THE APPLIANCE TO WARM TO ABOVE FREEZING PRIOR TO OPERATION.

THIS GAS APPLIANCE SHOULD BE INSTALLED AND SERVICED BY A QUALIFIED INSTALLER to conform with local codes. Installation practices vary from region to region and it is important to know the specifics that apply to your area, for example in Massachusetts State:

- This product must be installed by a licensed plumber or gas fitter when installed within the commonwealth of Massachusetts.
- The appliance damper must be removed or welded in the open position prior to installation of an appliance insert or gas log.
- The appliance off valve must be a "T" handle gas cock.
- The flexible connector must not be longer than 36 inches (914mm).
- A Carbon Monoxide detector is required in all rooms containing gas fired appliances.
- The appliance is not approved for installation in a bedroom or bathroom unless the unit is a direct vent sealed combustion product.

The installation must conform with local codes or, in absence of local codes, the National Gas and Propane Installation Code CSA B149.1 in Canada, or the National Fuel Gas Code, ANSI Z223.1 / NFPA 54 in the United States. Suitable for mobile home installation if installed in accordance with the current standard CAN/CSA Z240MH Series, for gas equipped mobile homes, in Canada or ANSI Z223.1 and NFPA 54 in the United States.

As long as the required clearance to combustibles is maintained, the most desirable and beneficial location for an appliance is in the center of a building, thereby allowing the most efficient use of the heat created. The location of windows, doors and the traffic flow in the room where the appliance is to be located should be considered. If possible, you should choose a location where the vent will pass through the house without cutting a floor or roof joist.

If the appliance is installed directly on carpeting, vinyl tile or other combustible material other than wood flooring, the appliance shall be installed on a metal or wood panel extending the full width and depth.

Some appliances have optional fans or blowers. If an optional fan or blower is installed, the junction box must be electrically connected and grounded in accordance with local codes, use the current CSA C22.1 Canadian Electrical Code in Canada or the ANSI/NFPA 70 National Electrical code in the United States.



2.3 GENERAL INFORMATION

FOR YOUR SATISFACTION, THIS APPLIANCE HAS BEEN TEST-FIRED TO ASSURE ITS OPERATION AND QUALITY!

This appliance is approved for bathroom, bedroom and bed-sitting room installations and is suitable for mobile home installations.

These appliances are equipped with tempered glass. Replacement glass must be obtained from your authorized dealer / distributor and is identified in the replacement parts list. Do not substitute materials.

This appliance is not convertible for use with other gases, unless a certified kit is used.

Expansion / contraction noises during heating up and cooling down cycles are normal and are to be expected. Changes in flame appearance from "HI" to "LO" is more evident in natural gas than in propane.

Use only accessories designed for and listed with your specific appliance.

High Elevations

Input ratings are shown in BTU per hour and are certified without de-rating up to 4,500 feet (1372m) above sea level. For Installations at the elevations above 4,500 feet (1372m) and in the absence of specific recommendations from the local authority having jurisdiction, the high altitude input rating shall be reduced at the rate of 4% for each additional 1,000 feet (305m).

GAS SPECIFICATIONS						EFFICIENCY RATINGS		
Model	Fuel	Gas Control	Max. Input BTU/h	Min. Input BTU/h	Air shutter setting	Model	Steady State(%)	AFUE%**
HD35-1NT	Nat	IPI Hi/Lo	25,000	17,500	1/8" (3mm) Open	HD35-1NT	82.1%	77.2%
HD35-1PT	Prop*	IPI Hi/Lo	25,000	17,500	5/16" (8mm) Open	HD35-1PT	82.1%	77.2%
HD40-1NT	Nat	IPI Hi/Lo	27,000	18,900	1/8" (3mm) Open	HD40-1NT	80.5%	76.3%
HD40-1PT	Prop*	IPI Hi/Lo	27,000	18,900	3/8" (10mm) Open	HD40-1PT	80.5%	76.3%
HD46-1NT	Nat	IPI Hi/Lo	30,000	21,000	1/8" (3mm) Open	HD46-1NT	82.9%	79.2%
HD46-1PT	Prop*	IPI Hi/Lo	30,000	21,000	3/8" (10mm) Open	HD46-1PT	82.9%	79.2%

IPI - Intermittent Pilot Ignition System

* Using conversion kit

** Maximum Values

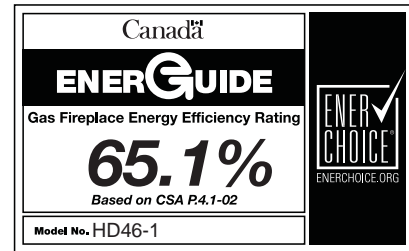
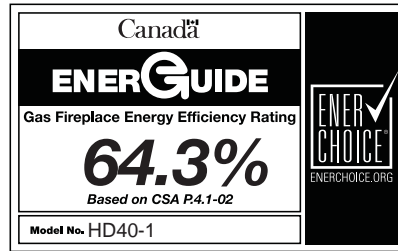
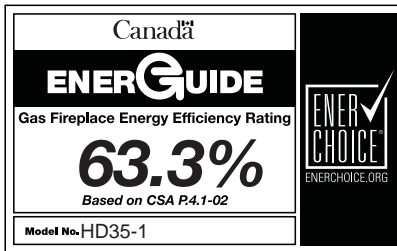
Conversions must be made by a qualified service technician using Wolf Steel specified and approved parts.

GAS INLET AND MANIFOLD PRESSURES		
	Natural	Propane
Minimum Inlet	4.5" (11mb) w.c.	11" (27mb) w.c.
Maximum Inlet	7" (17mb) w.c.	13" (32mb) w.c.
Manifold Pressure	3.5" (9mb) w.c.	10" (25mb) w.c.

The optional heat circulating blower is supplied with a cord.

The junction box must be electrically connected and grounded in accordance with local codes. In the absence of local codes, use the current CSA C22.1 Canadian Electrical Code in Canada or the ANSI/NFPA 70 National Electrical Code in the United States.

This appliance is equipped with a power back up control system. Two 1.5 volt "D" batteries (not supplied) are required for the battery pack included in the system. Use Alkaline batteries only.



2.4 RATING PLATE INFORMATION

CONFORMS TO / CONFORME AUX: ANSI Z21.50-2014, CERTIFIED TO / CERTIFIE CSA 2.22-2014 VENTED GAS FIREPLACE / FOYER A GAZ VENTILÉ.E.S:

DIRECT VENT GAS FIREPLACE. SUITABLE FOR BEDROOM, BATHROOM AND BED-SITTING ROOM INSTALLATION. SUITABLE FOR MOBILE HOME INSTALLATION IF INSTALLED IN ACCORDANCE WITH THE CURRENT STANDARD CAN/CSA Z240MH SERIES GAS EQUIPPED MOBILE HOMES, IN CANADA OR IN THE UNITED STATES THE MANUFACTURED HOME CONSTRUCTION AND SAFETY STANDARD, TITLE 24 CFR, PART 3280. WHEN THIS US STANDARD IS NOT APPLICABLE USE THE STANDARD FOR FIRE SAFETY CRITERIA FOR MANUFACTURED HOME INSTALLATIONS, SITES AND COMMUNITIES, ANSI/NFPA 501A. WHEN INSTALLED WITH SCREEN KIT GD-565KT, THE FIREPLACE COMPLIES WITH CGA CERTIFICATION REQUIREMENT CR95-006. FOR USE ONLY WITH BARRIER W565-0175. FOLLOW THE INSTALLATION INSTRUCTIONS LOCATED IN THE INSTALLATION MANUAL.

FOYER A GAZ VENTILÉ. HOMOLOGUÉ POUR L'INSTALLATION DANS UNE CHAMBRE À COUCHER, UNE SALLE DE BAIN ET UN STUDIO APPROPRIÉ POUR L'INSTALLATION DANS UNE MAISON MOBILE. SI SON INSTALLATION EST CONFORME AUX EXIGENCES DE LA NORME CANADIENNE Z240MH SÉRIE DE MAISONS MOBILES ÉQUIPÉES AU GAZ, EN VIGUEUR AU CANADA OU AUX ÉTATS-UNIS, SELON LA NORME DE SÉCURITÉ ET DE CONSTRUCTION DE MAISONS MANUFACTURÉES, TITRE 24 CFR SECTION 3280. DANS LE CAS OÙ CETTE NORME DES ÉTATS-UNIS NE PEUT ÊTRE APPLIQUÉE, SE RÉFÉRER À LA NORME RELATIVE AU CRITÈRE DE MESURES DE SÉCURITÉ CONTRE L'INCENDIE POUR LES INSTALLATIONS DANS LES MAISONS MANUFACTURÉES, LES SITES ET LES COMMUNITÉS, ANS/NFPA 501A. LORSQU'IL EST INSTALLÉ AVEC LE PARÉ-ÉTINCELLES GD-565KT, LE FOYER EST CONFORME À LA NORME DE CERTIFICATION DE L'ACG CR95-006. POUR UNE UTILISER SEULEMENT AVEC BARRIÈRE W565-0175. SUIVEZ LES INSTRUCTIONS D'INSTALLATION SE TROUVENT DANS LE MANUEL D'INSTALLATION.

CERTIFIED FOR CANADA USA

REFERENCE # 161746

Natural Gas/Gaz Naturel HD46NT CHD46NT

Propane HD46PT CHD46PT

MODEL ALTITUDE / ELEVATION INPUT/ALIMENTATION REDUCED INPUT/ALIMENTATION REQUIRE

0-4500 FT. (0-1370m) 30,000 BTU/h 21,000 BTU/h

MANIFOLD PRESSURE: 3.5" WATER COLUMN
PRESSION AU COLLECTEUR: 3.5" D'UNE COLONNE D'EAU
MINIMUM SUPPLY PRESSURE: 4.5" WATER COLUMN
PRESSION D'ALIMENTATION MINIMALE: 4.5" D'UNE COLONNE D'EAU
MAXIMUM SUPPLY PRESSURE: 7.0" WATER COLUMN
PRESSION D'ATATION MAXIMALE: 7.0" D'UNE COLONNE D'EAU
P4: 65.1%

0-4500 FT. (0-1370m) 30,000 BTU/h

MANIFOLD PRESSURE: 10" WATER COLUMN
PRESSION AU COLLECTEUR: 10" D'UNE COLONNE D'EAU
MINIMUM SUPPLY PRESSURE: 11" WATER COLUMN
PRESSION D'ALIMENTATION MINIMALE: 11" D'UNE COLONNE D'EAU
MAXIMUM SUPPLY PRESSURE: 13" WATER COLUMN
PRESSION D'ALIMENTATION MAXIMALE: 13" D'UNE COLONNE D'EAU
P4: 65.1%

THIS VENTED GAS FIREPLACE IS NOT FOR USE WITH AIR FILTERS AND NOT FOR USE WITH SOLID FUEL. FOR USE WITH GLASS DOORS CERTIFIED WITH THIS UNIT ONLY.

CE FOYER A GAZ VENTILÉS NE DOIT PAS ÊTRE UTILISÉ AVEC DES FILTRES À AIR ET NE DOIT PAS ÊTRE UTILISÉ AVEC UN COMBUSTIBLE SOLIDE. UTILISER AVEC LES PORTES VITRÉES HOMOLOGUÉES AVEC CETTE UNITÉ SEULEMENT.

WARNING: DO NOT ADD ANY MATERIAL TO THE APPLIANCE, WHICH WILL COME IN CONTACT WITH THE FLAMES, OTHER THAN THAT SUPPLIED BY THE MANUFACTURER WITH THE APPLIANCE.
DECORATIVE PRODUCT: NOT FOR USE AS A HEATING APPLIANCE
MINIMUM CLEARANCE TO COMBUSTIBLE MATERIALS / DÉGAGEMENTS MINIMAUX DES MATÉRIAUX COMBUSTIBLES

AVERTISSEMENT: N'A JOUÉ PAS A CET APPAREIL AUCUN MATÉRIEL DEVANT ENTRER EN CONTACT AVEC LES FLAMMES AUTRE QUE CELUI QUI EST FOURNI AVEC CET APPAREIL PAR LE FABRICANT.
PRODUIT DÉCORATIF: NE PAS UTILISER COMME APPAREIL DE CHAUFFAGE

THE APPLIANCE MUST BE VENTED USING THE APPROPRIATE WOLF STEEL VENT KITS. SEE OWNERS INSTALLATION MANUAL FOR VENTING SPECIFICS. PROPER REINSTALLATION AND RESEALING IS NECESSARY AFTER SERVICING THE VENT-AIR INTAKE SYSTEM. L'APPAREIL DOIT ÉVACUER SES GAZ EN UTILISANT L'ENSEMBLE D'ÉVACUATION PROPRE À WOLF STEEL. SE RÉFÉRER AU MANUEL D'INSTALLATION DU PROPRIÉTAIRE POUR LES SPÉCIFICATIONS DE L'ÉVACUATION. IL EST IMPORTANT DE BIEN REINSTALLER ET RESCELLER L'ÉVENT APRÈS AVOIR EFFECTUÉ LE SERVICE DU SYSTÈME DE PRISE D'AIR

TOP/DESSUS 0 RECESSED DEPTH/PROFONDEUR D'ENCASTRE 20 1/2"
FLOOR / PLANCHER 0 VENT SIDES / CÔTES DE L'ÉVENT 1"
SIDES / CÔTES 0 VENT TOP/DESSUS DE L'ÉVENT 2"
BACK/ARRIÈRE 0 VENT BOTTOM / DESSOUS DE L'ÉVENT 1"
MANTLE / MANTAUX 3 3/4"
*MAXIMUM HORIZONTAL EXTENSION / EXTENSION HORIZONTALE MAXIMALE: 2'.
SEE INSTRUCTION MANUAL FOR GREATER EXTENSIONS SE RÉFÉRER AU MANUEL D'INSTRUCTION POUR DES EXTENSIONS PLUS GRANDES.
SEE OWNER'S INSTRUCTION MANUAL FOR MINIMUM AND MAXIMUM VENT LENGTHS.
SE RÉFÉRER AU MANUEL D'INSTALLATION DU PROPRIÉTAIRE POUR LES LONGUEURS D'ÉVACUATION MINIMALE ET MAXIMALE.

ELECTRICAL RATING / CLASSIFICATION: 115V, 60HZ, LESS THAN 12 AMPS.
SPÉCIFICATIONS ÉLECTRIQUES: 115 V, 60 HZ, MOINS DE 12 A
OPTIONAL FAN KIT / SOUFFLERIE OPTIONNELLE: G2550-KT, GD65

WOLF STEEL LTD.
24 Napoleon Rd. Barrie,
Ontario L4M 0G8 Canada

WOLF STEEL USA
103 Miller Drive,
Crittenden, Kentucky, USA, 41030

SERIAL NUMBER/NO. DE SERIE: HD46

W385-1995

INSTALLER: It is your responsibility to check off the appropriate box on the rating plate according to the model, venting and gas type of the appliance.

For rating plate location, see "INSTALLATION OVERVIEW" section.

This illustration is for reference only. Refer to the rating plate on the appliance for accurate information.

NOTE: The rating plate must remain with the appliance at all times. It must not be removed.

A barrier designed to reduce the risk of burns from the hot viewing glass is provided with the appliance and must be installed.

3.0 VENTING

WARNING

RISK OF FIRE, MAINTAIN SPECIFIED AIR SPACE CLEARANCES TO VENT PIPE AND APPLIANCE.

IF VENTING IS INCLUDED WITH SPACERS THE VENT SYSTEM MUST BE SUPPORTED EVERY 3FT (0.9m) FOR BOTH VERTICAL AND HORIZONTAL RUNS. USE SUPPORTS OR EQUIVALENT NON-COMBUSTIBLE STRAPPING TO MAINTAIN THE REQUIRED CLEARANCE FROM COMBUSTIBLES. USE WOLF STEEL LTD. SUPPORT RING ASSEMBLY W010-0370 OR EQUIVALENT NON-COMBUSTIBLE STRAPPING TO MAINTAIN THE MINIMUM CLEARANCE TO COMBUSTIBLES FOR BOTH VERTICAL AND HORIZONTAL RUNS. SPACERS ARE ATTACHED TO THE INNER PIPE AT PREDETERMINED INTERVALS TO MAINTAIN AN EVEN AIR GAP TO THE OUTER PIPE. THIS GAP IS REQUIRED FOR SAFE OPERATION. A SPACER IS REQUIRED AT THE START, MIDDLE AND END OF EACH ELBOW TO ENSURE THIS GAP IS MAINTAINED. THESE SPACERS MUST NOT BE REMOVED.

THIS APPLIANCE USES A 4" (102mm) EXHAUST / 7" (178mm) AIR INTAKE VENT PIPE SYSTEM. Refer to the section applicable to your installation.

For safe and proper operation of the appliance follow the venting instruction exactly. Deviation from the minimum vertical vent length can create difficulty in burner start-up and/or carboning. Under extreme vent configurations, allow several minutes (5-15) for the flame to stabilize after ignition. Although not a requirement, it is recommended for vent lengths that pass through unheated spaces (attics, garages, crawl spaces) be insulated with the insulation wrapped in a protective sleeve to minimize condensation. Provide a means for visually checking the vent connection to the appliance after the appliance is installed. Use a firestop, vent pipe shield or attic insulation shield when penetrating interior walls, floor or ceiling. The vent terminal may be painted with a high temperature paint to match exterior colours. Use an outdoor paint suitable for 400°F (200°C). Application and performance of paint is the consumer's responsibility. Spot testing is recommended.

NOTE: If for any reason the vent air intake system is disassembled; reinstall per the instructions provided for the initial installation.

7.1E

3.1 VENTING LENGTHS AND COMPONENTS

Use only Wolf Steel, Simpson Dura-Vent, Selkirk Direct Temp, American Metal Amerivent or Metal-Fab venting components. Minimum and maximum vent lengths, for both horizontal and vertical installations, clearances from vent pipes to combustibles and air terminal locations as set out in this manual apply to all vent systems and must be adhered to. For Simpson Dura-Vent, Selkirk Direct Temp, American Metal Amerivent and Metal-Fab follow the installation procedure provided with the venting components. A starter adaptor must be used with the following vent systems and may be purchased from the corresponding supplier:

PART	4"/7"	SUPPLIER	WEBSITE
Duravent	W175-0053	Wolf Steel	www.duravent.com
Amerivent	4DSC-N2	American Metal	www.americanmetalproducts.com
Direct Temp	4DT-AAN	Selkirk	www.selkirkcorp.com
SuperSeal	4DNA	Metal-Fab	www.mtlfab.com

For Simpson Dura-Vent, Selkirk Direct Temp, American Metal Amerivent and Metal-Fab follow the installation procedure found on the website for your venting supplier.

For vent systems that provide seals on the inner exhaust flue, only the outer air intake joints must be sealed using a red high temperature silicone (RTV). This same sealant may be used on both the inner exhaust and outer intake vent pipe joints of all other approved vent systems except for the exhaust vent pipe connection to the appliance flue collar which must be sealed using the black high temperature sealant Mill Pac. High temperature sealant must be ordered separately.

When using Wolf Steel venting components, use only approved Wolf Steel rigid / flexible components with the following termination kits: wall terminal kit **GD-222**, **GD-222R**, or 1/12 to 7/12 pitch roof terminal kit **GD-110**, 8/12 to 12/12 roof terminal kit **GD-111**, flat roof terminal kit **GD-112** or periscope kit **GD-201** (for wall penetration below grade). With flexible venting, in conjunction with the various terminations, use either the 5 foot (1.5m) vent kit **GD-220** or the 10 foot (3.1m) vent kit **GD-330**.

For optimum flame appearance and appliance performance, keep the vent length and number of elbows to a minimum. The air terminal must remain unobstructed at all times. Examine the air terminal at least once a year to verify that it is unobstructed and undamaged. Rigid and flexible venting systems must not be combined. Different venting manufacturer components must not be combined.

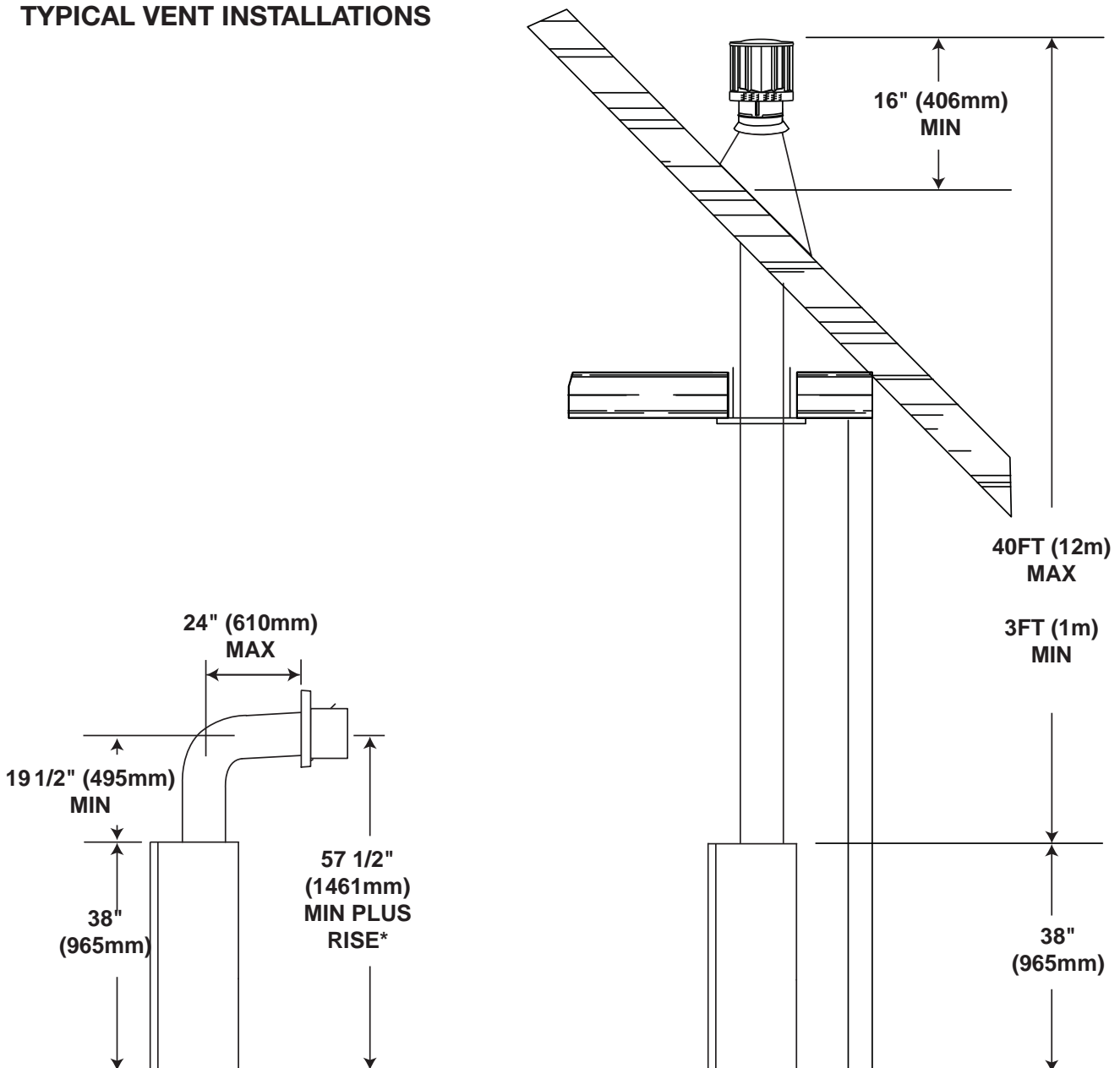
These vent kits allow for either horizontal or vertical venting of the appliance. The maximum allowable horizontal run is 20 feet (6.1m). The maximum allowable vertical vent length is 40 feet (12.2m). The maximum number of vent connections is two horizontally or three vertically (excluding the appliance and the air terminal connections) when using flexible venting.

8.1B

Horizontal runs may have a 0" rise per foot however for optimum performance it is recommended that all horizontal runs have a minimum 1/4" (6mm) rise per foot using flexible or rigid venting. For safe and proper operation of the appliance, follow the venting instructions exactly.

When terminating vertically, the vertical rise is a minimum 3 feet (1m) and a maximum 40 feet (12m) from the top of the appliance.

3.2 TYPICAL VENT INSTALLATIONS

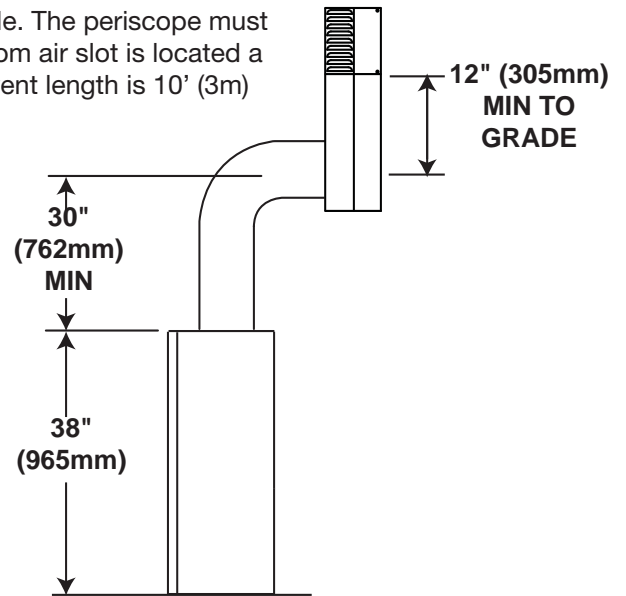


* See "VENTING" section.

3.3 SPECIAL VENT INSTALLATIONS

3.3.1 PERISCOPE TERMINATION

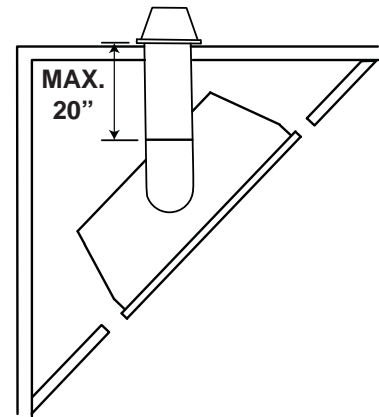
Use the periscope kit to locate the air termination above grade. The periscope must be installed so that when final grading is completed, the bottom air slot is located a minimum 12" (305mm) above grade. The maximum allowable vent length is 10' (3m) for a fireplace and 8' (2m) for a stove.



9.1B

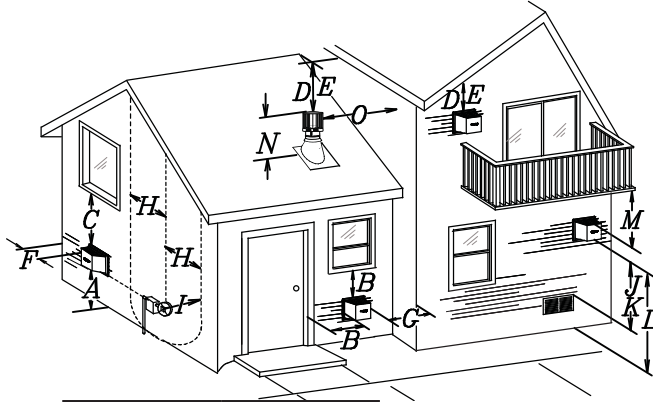
3.3.2 CORNER TERMINATION

The maximum vent length for a corner installation is 20" (508mm) of horizontal run with a minimum 19 1/2" (495mm) rise.

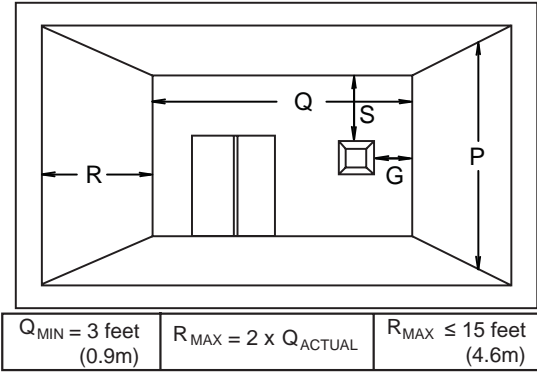


3.4 VENT TERMINAL CLEARANCES

EN



COVERED BALCONY APPLICATIONS ††*



INSTALLATIONS			
	CANADA	U.S.A.	
A	12" (305mm)	12" (305mm)	Clearance above grade, veranda porch, deck or balcony.
B	12" (305mm) ^Δ	9"	Clearance to windows or doors that open.
C	12" (305mm)*	12" (305mm) *	Clearance to permanently closed windows.
D	18" (457mm)**	18" (457mm)**	Vertical clearance to ventilated soffits located above the terminal within a horizontal distance of 2' (0.6m) from the center line of the terminal.
E	12" (305mm)**	12" (305mm)**	Clearance to unventilated soffit.
F	0" (0mm)	0" (0mm)	Clearance to an outside corner wall.
G	0" (0mm)***	0"	Clearance to an inside non -combustible corner wall or protruding non -combustible obstructions (chimney, etc.).
	2" (51mm)***	2"	Clearance to an inside combustible corner wall or protruding combustible obstructions (vent chase, etc.).
H	3' (0.9m)	3' (0.9m)****	Clearance to each side of the center line extended above the meter / regulator assembly to a maximum vertical distance of 15' (4.6m).
I	3' (0.9m)	3' (0.9m)****	Clearance to a service regulator vent outlet.
J	12" (305mm)	9" (229mm)	Clearance to a non-mechanical air supply inlet to the building or a combustion air inlet to any other appliance.
K	6' (1.8m)	3' (0.9m) †	Clearance to a mechanical air supply inlet.
L	7' (2.1m) ‡	7' (2.1m) ****	Clearance above a paved sidewalk or paved driveway located on public property.
M	12" (305mm) ††	12"	Clearance under a veranda, porch or deck.
N	16" (406mm)	16" (406mm)	Clearance above the roof.
O	2' (0.6m) †*	2' (0.6m) †*	Clearance from an adjacent wall including neighbouring buildings.
P	8' (2.4m)	8' (2.4m)	Roof must be non -combustible without openings.
Q	3' (0.9m)	3' (0.9m)	See chart for wider wall dimensions.
R	6' (1.8m)	6' (1.8m)	See chart for deeper wall dimensions. The terminal shall not be installed on any wall that has an opening between the terminal and the open side of the structure.
S	12" (305mm)	12" (305mm)	Clearance under a covered balcony

Δ The terminal shall not be located less than 6 feet under a window that opens on a horizontal plane in a structure with three walls and a roof.

* Recommended to prevent condensation on windows and thermal breakage

** It is recommended to use a heat shield and to maximize the distance to vinyl clad soffits.

*** The periscope requires a minimum 18 inches clearance from an inside corner.

**** This is a recommended distance. For additional requirements check local codes.

† 3 feet above if within 10 feet horizontally.

‡ A vent shall not terminate where it may cause hazardous frost or ice accumulations on adjacent property surfaces.

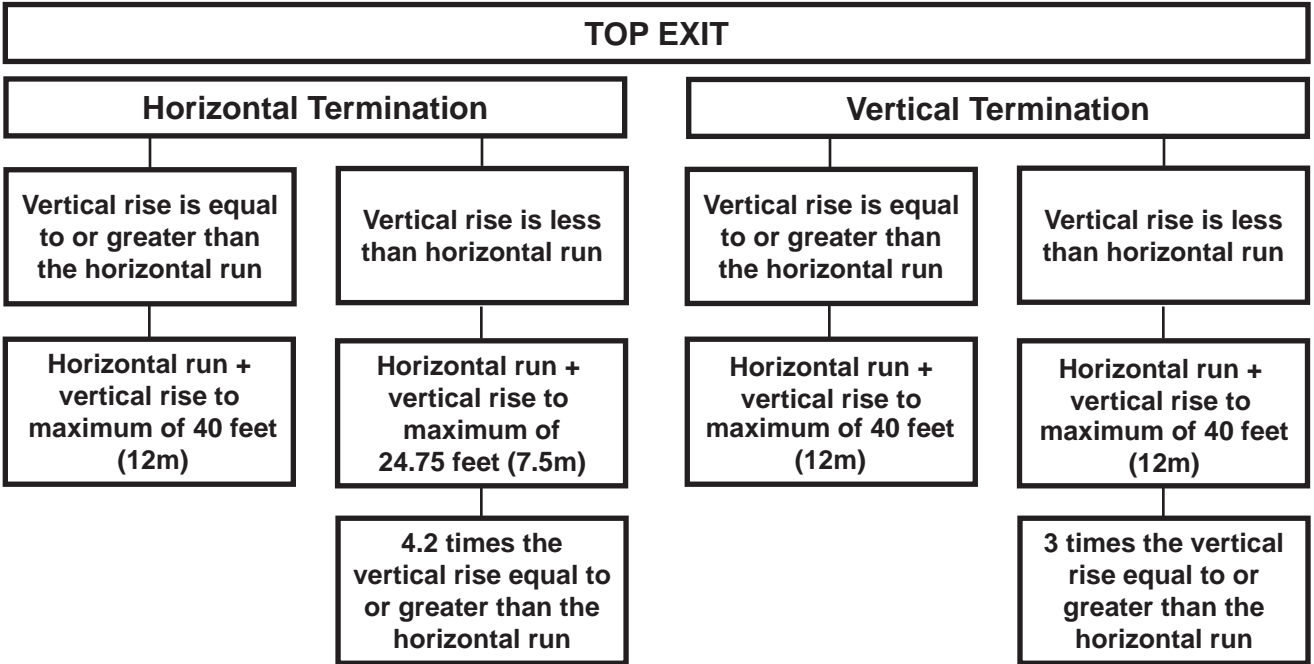
†† Permitted only if the veranda, porch, or deck is fully open on a minimum of two sides beneath the floor.

†* Recommended to prevent recirculation of exhaust products. For additional requirements check local codes.

††* Permitted only if the balcony is fully open on a minimum of one side.

NOTE: Clearances are in accordance with local installation codes and the requirements of the gas supplier.

3.5 VENT APPLICATION FLOW CHART



13.1A

3.6 DEFINITIONS

For the following symbols used in the venting calculations and examples are:

> - greater than

≥ - equal to or greater than

< - less than

≤ - equal to or less than

H_T - total of both horizontal vent lengths (H_r) and offsets (H_o) in feet

H_R - combined horizontal vent lengths in feet

H_O - offset factor: .03 (total degrees of offset - 90°*) in feet

V_T - combined vertical vent lengths in feet

14.1

3.7 ELBOW VENT LENGTHS

	<u>FEET</u>	<u>INCHES</u>	<u>MILLIMETERS</u>
1°	0.03	0.5	12.7
15°	0.45	6.0	152.4
30°	0.9	11.0	279.4
45°	1.35	16.0	406.4
90°*	2.7	32.0	812.8

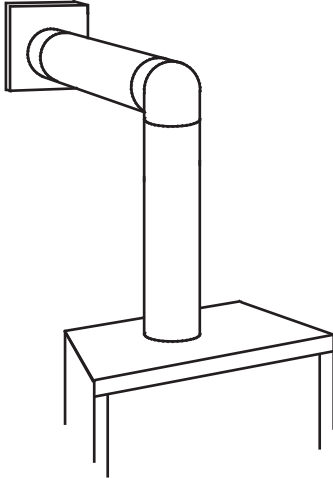
* The first 90° offset has a zero value and is shown in the formula as - 90°

15.1A

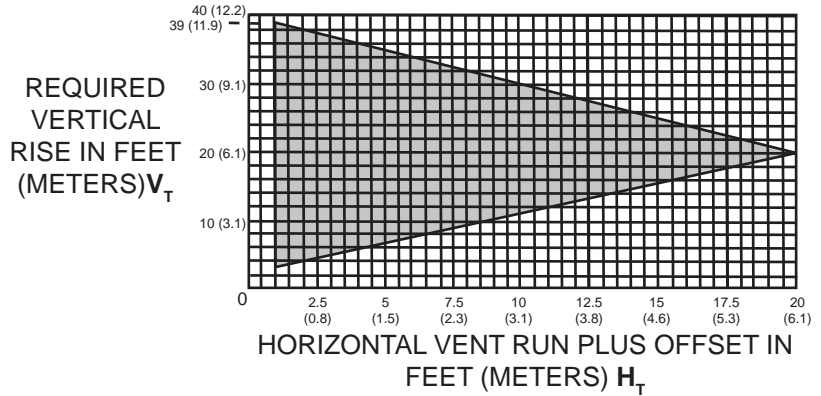
3.8 HORIZONTAL TERMINATION

$$(H_T) \leq (V_T)$$

Simple venting configuration (only one 90° elbow)



See graph to determine the required vertical rise V_T for the required horizontal run H_T



The shaded area within the lines represents acceptable values for H_T and V_T

For vent configurations requiring more than one 90° elbow, the following formulas apply:

Formula 1: $H_T \leq V_T$

Formula 2: $H_T + V_T \leq 40 \text{ feet (12.2m)}$

Example:

$V_1 = 3 \text{ FT (0.9m)}$

$V_2 = 8 \text{ FT (2.4m)}$

$V_T = V_1 + V_2 = 3 \text{ FT (0.9m)} + 8 \text{ FT (2.4m)} = 11 \text{ FT (3.4m)}$

$H_1 = 2.5 \text{ FT (0.8m)}$

$H_2 = 2 \text{ FT (0.6m)}$

$H_R = H_1 + H_2 = 2.5 \text{ FT (0.8m)} + 2 \text{ FT (0.6m)} = 4.5 \text{ FT (1.4m)}$

$H_O = .03 \text{ (three } 90^\circ \text{ elbows - } 90^\circ) = .03 \text{ (} 270^\circ - 90^\circ) = 5.4 \text{ FT (1.7m)}$

$H_T = H_R + H_O = 4.5 \text{ FT (1.4m)} + 5.4 \text{ FT (1.6m)} = 9.9 \text{ FT (3m)}$

$H_T + V_T = 9.9 \text{ FT (3m)} + 11 \text{ FT (3.4m)} = 20.9 \text{ FT (6.4m)}$

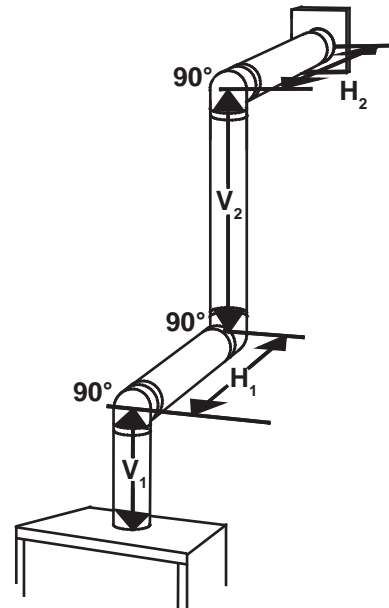
Formula 1: $H_T \leq V_T$

$9.9 \text{ FT (3m)} \leq 11 \text{ FT (3.4m)}$

Formula 2: $H_T + V_T \leq 40 \text{ FT (12.2m)}$

$20.9 \text{ FT (6.4m)} \leq 40 \text{ FT (12.2m)}$

Since both formulas are met, this vent configuration is acceptable.

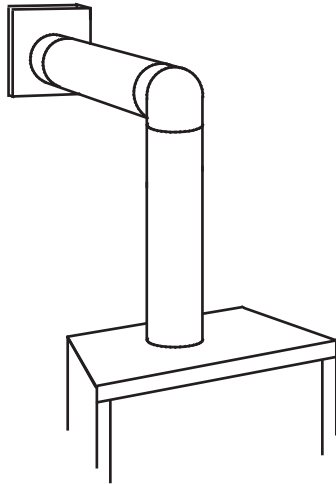


16.1B

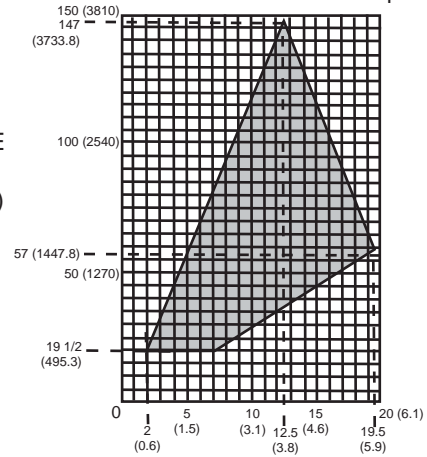
$$(H_T) > (V_T)$$

Simple venting configuration (only one 90° elbow)

See graph to determine the required vertical rise V_T for the required horizontal run H_T .



REQUIRED VERTICAL RISE IN INCHES (MILLIMETERS) V_T



HORIZONTAL VENT RUN PLUS OFFSET IN FEET (METERS) H_T

The shaded area within the lines represents acceptable values for H_T and V_T

For vent configurations requiring more than one 90° elbow, the following formulas apply:

Formula 1: $H_T \leq 4.2 V_T$

Formula 2: $H_T + V_T \leq 24.75$ feet (7.5m)

Example:

$V_1 = V_T = 6$ FT (1.8m)

$H_1 = 3$ FT (0.9m)

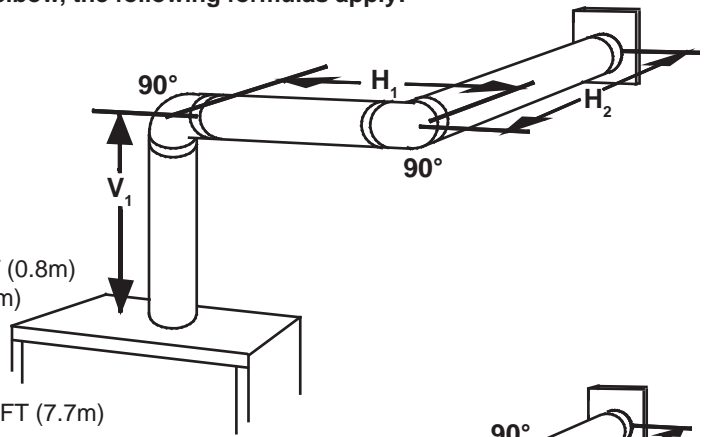
$H_2 = 5$ FT (1.5m)

$H_R = H_1 + H_2 = 3$ FT (0.9m) + 5 FT (1.5m) = 8 FT (2.4m)

$H_O = .03$ (two 90° elbows - 90°) = .03 (180° - 90°) = 2.7 FT (0.8m)

$H_T = H_R + H_O = 8$ FT (2.4m) + 2.7 FT (0.8m) = 10.7 FT (3.3m)

$H_T + V_T = 10.7$ FT (3.3m) + 6 FT (1.8m) = 16.7 FT (5.1m)



Formula 1: $H_T \leq 4.2 V_T$

$4.2 V_T = 4.2$ FT (1.3m) x 6 FT (1.8m) = 25.2 FT (7.7m)

10.7 FT (3.3m) \leq 25.2 FT (7.7m)

Formula 2: $H_T + V_T \leq 24.75$ FT (7.5m)

16.7 FT (5.1m) \leq 24.75 FT (7.5m)

Since both formulas are met, this vent configuration is acceptable.

Example:

$V_1 = 4$ FT (1.2m)

$V_2 = 1.5$ FT (0.5m)

$V_T = V_1 + V_2 = 4$ FT (1.2m) + 1.5 FT (0.5m) = 5.5 FT (1.7m)

$H_1 = 2$ FT (0.6m)

$H_2 = 1$ FT (0.3m)

$H_3 = 1$ FT (0.3m)

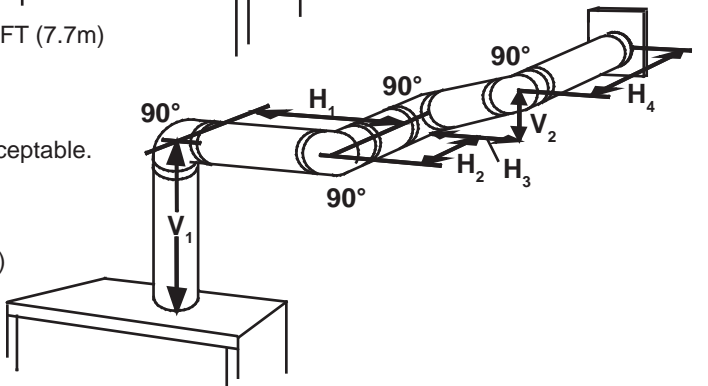
$H_4 = 1.5$ FT (0.5m)

$H_R = H_1 + H_2 + H_3 + H_4 = 2$ FT (0.6m) + 1 FT (0.3m) + 1 FT (0.3m) + 1.5 FT (0.5m) = 5.5 FT (1.7m)

$H_O = .03$ (four 90° elbows - 90°) = .03 (360° - 90°) = 8.1 FT (2.5m)

$H_T = H_R + H_O = 5.5$ FT (1.7m) + 8.1 FT (2.5m) = 13.6 FT (4.2m)

$H_T + V_T = 13.6$ FT (4.2m) + 5.5 FT (1.7m) = 19.1 FT (5.8m)



Formula 1: $H_T \leq 4.2 V_T$

$4.2 V_T = 4.2$ FT (1.3m) x 5.5 FT (1.7m) = 23.1 FT (7m)

13.6 FT (4.2m) \leq 23.1 FT (7m)

Formula 2: $H_T + V_T \leq 24.75$ FT (7.5m)

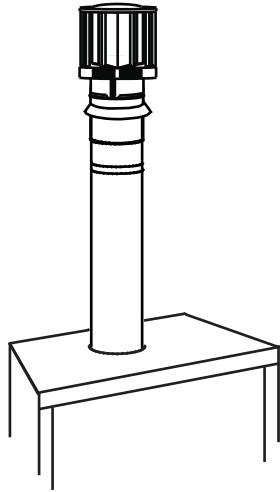
19.1 FT (5.8m) \leq 24.75 FT (7.5m)

Since both formulas are met, this vent configuration is acceptable.

3.9 VERTICAL TERMINATION

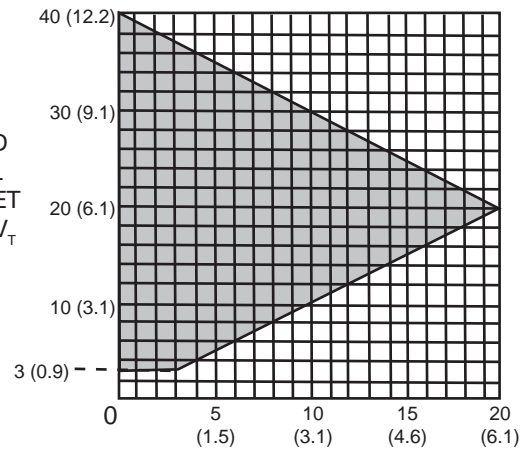
$(H_T) \leq (V_T)$

Simple venting configurations.



See graph to determine the required vertical rise V_T for the required horizontal run H_T .

REQUIRED VERTICAL RISE IN FEET (METERS) V_T



HORIZONTAL VENT RUN PLUS OFFSET IN FEET (METERS) H_T

The shaded area within the lines represents acceptable values for H_T and V_T

For vent configurations requiring one or more 90° elbows the following formulas apply:

Formula 1: $H_T \leq V_T$

Formula 2: $H_T + V_T \leq 40$ feet (12.2m)

Example:

$V_1 = 5$ FT (1.5m)

$V_2 = 6$ FT (1.8m)

$V_3 = 10$ FT (3.1m)

$V_T = V_1 + V_2 + V_3 = 5$ FT (1.5m) + 6 FT (1.8m) + 10 FT (3.1m) = 21 FT (6.4m)

$H_1 = 8$ FT (2.4m)

$H_2 = 2.5$ FT (0.8m)

$H_R = H_1 + H_2 = 8$ FT (2.4m) + 2.5 FT (0.8m) = 10.5 FT (3.2m)

$H_O = .03$ (four 90° elbows - 90°)

= .03 (360° - 90°) = 8.1 FT (2.5m)

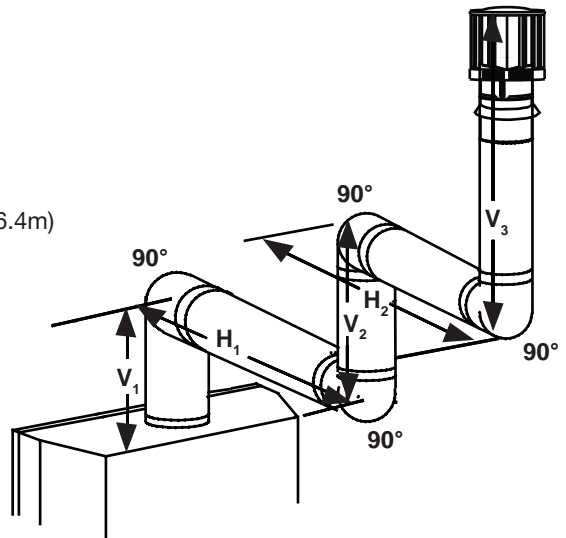
$H_T = H_R + H_O = 10.5$ FT (3.2m) + 8.1 FT (2.5m) = 18.6 FT (5.7m)

$H_T + V_T = 18.6$ FT (5.7m) + 21 FT (6.4m) = 39.6 FT (12.1m)

Formula 1: $H_T \leq V_T$
18.6 FT (5.7m) \leq 21 FT (6.4m)

Formula 2: $H_T + V_T \leq 40$ FT (12.19m)
39.6 FT (12.1m) \leq 40 FT (12.2m)

Since both formulas are met, this vent configuration is acceptable.

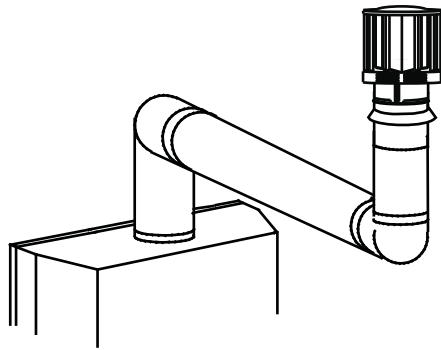


18.1A

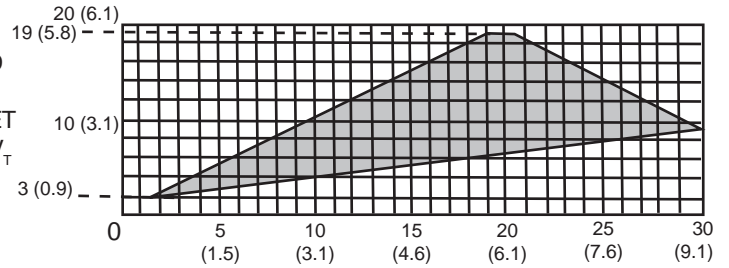
$(H_T) > (V_T)$

Simple venting configurations.

See graph to determine the required vertical rise V_T for the required horizontal run H_T .



REQUIRED VERTICAL RISE IN FEET (METERS) V_T



HORIZONTAL VENT RUN PLUS OFFSET IN FEET (METERS) H_T

The shaded area within the lines represents acceptable values for H_T and V_T

For vent configurations requiring more than two 90° elbows the following formulas apply:

Formula 1: $H_T \leq 3V_T$

Formula 2: $H_T + V_T \leq 40$ feet (12.2m)

Example:

$V_1 = 2$ FT (0.6m)

$V_2 = 1$ FT (0.3m)

$V_3 = 1.5$ FT (0.5m)

$V_T = V_1 + V_2 + V_3 = 2$ FT (0.6m) + 1 FT (0.3m) + 1.5 FT (0.5m) = 4.5 FT (1.4m)

$H_1 = 6$ FT (1.8m)

$H_2 = 2$ FT (0.6m)

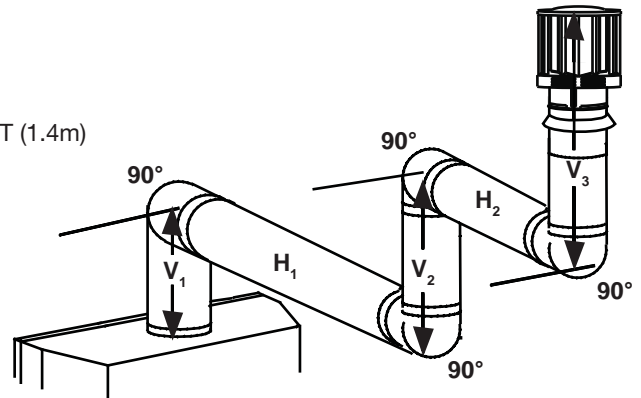
$H_R = H_1 + H_2 = 6$ FT (1.8m) + 2 FT (0.6m) = 8 FT (2.4m)

$H_O = .03$ (four 90° elbows - 90°)

= .03 (360° - 90°) = 8.1 FT (2.5m)

$H_T = H_R + H_O = 8$ FT (2.4m) + 8.1 FT (2.5m) = 16.1 FT (4.9m)

$H_T + V_T = 16.1$ FT (4.9m) + 4.5 FT (1.4m) = 20.6 FT (6.3m)



Formula 1: $H_T \leq 3V_T$
 $3V_T = 3$ FT (0.9m) x 4.5 FT (1.4m) = 13.5 FT (4.1m)
 16.1 FT (4.9m) > 13.5 FT (4.1m)

Since this formula is not met, this vent configuration is unacceptable.

Formula 2: $H_T + V_T \leq 40$ feet (12.2m)
 20.6 FT (6.3m) ≤ 40 (12.2m)

Since only formula 2 is met, this vent configuration is unacceptable and a new appliance location or vent configuration will need to be established to satisfy both formulas.

3.10 CO-AXIAL TO CO-LINEAR VENTING

! WARNING

RISK OF FIRE!

CO-AXIAL TO CO-LINEAR VENTING CONFIGURATIONS MUST ONLY BE USED IN A NON-COMBUSTIBLE CHIMNEY OR ENCLOSURE. INSTALLATION IN A COMBUSTIBLE ENCLOSURE COULD RESULT IN A FIRE.

This appliance is designed to be attached to a 3" (76.2mm) co-linear aluminum flex vent system running the full length of a masonry chimney.

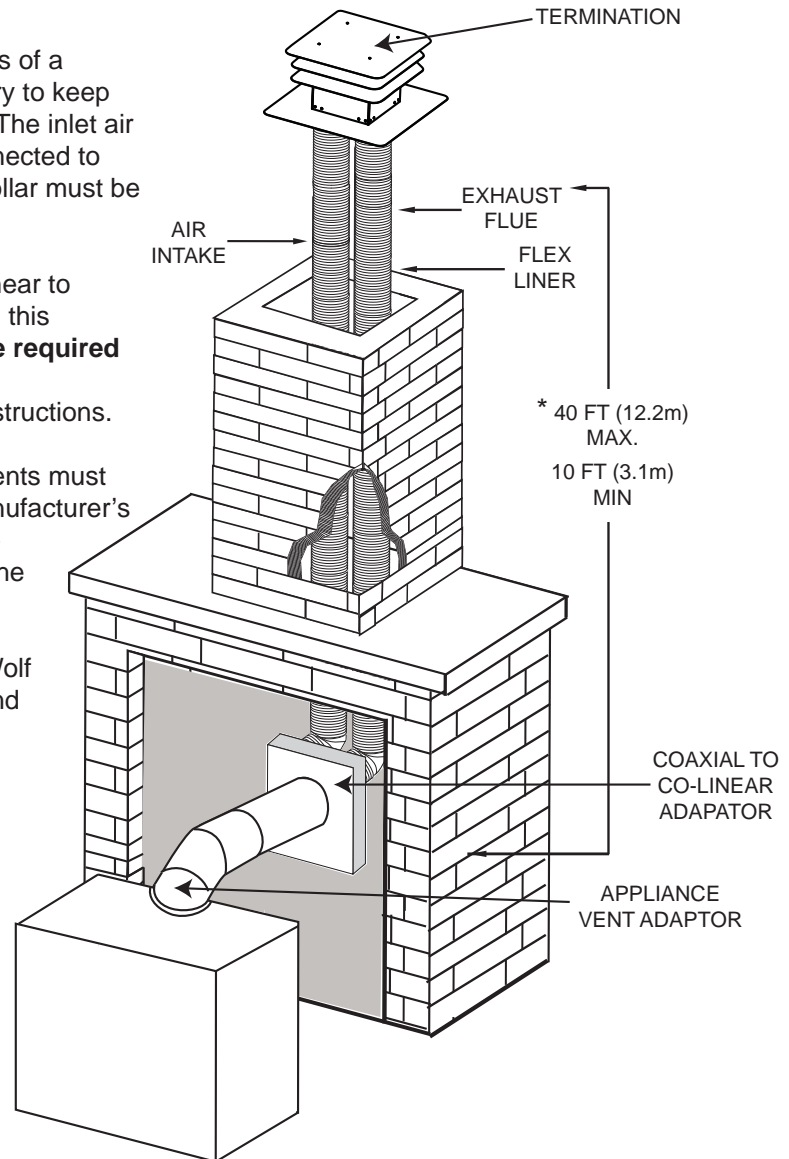
The flex liners accommodate any contours of a masonry chimney, however, it is necessary to keep the flexible liners as straight as possible. The inlet air collar of the termination cap must be connected to the air intake flex liner and the exhaust collar must be connected to the exhaust flexible liner.

Both Simpson DuraVent and Selkirk co-linear to co-axial adaptors have been approved on this appliance (**NOTE: A vent adaptor will be required directly off the appliance**).

Follow vent manufacturer's installation instructions.

Different manufacturer's venting components must not be combined. Once the preferred manufacturer's appliance adaptor has been attached, the remainder of the system must be that of the same manufacturer.

The only exception to this rule is to use Wolf Steel's approved 3" (76.2mm) flex liner and co-linear termination.



7.6B

4.0 INSTALLATION

! WARNING
ENSURE TO UNPACK ALL LOOSE MATERIALS FROM INSIDE THE FIREBOX PRIOR TO HOOKING UP THE GAS AND ELECTRICAL SUPPLY.
IF YOUR APPLIANCE IS SUPPLIED WITH A REMOTE ENSURE THE REMOTE RECEIVER IS IN THE "OFF" POSITION PRIOR TO HOOKING UP THE GAS AND ELECTRICAL SUPPLY TO THE APPLIANCE.
FOR SAFE AND PROPER OPERATION OF THE APPLIANCE, FOLLOW THE VENTING INSTRUCTIONS EXACTLY.
ALL EXHAUST AND INTAKE VENT PIPE JOINTS MUST BE SEALED USING RED RTV HIGH TEMP SILICONE SEALANT W573-0002 (NOT SUPPLIED) OR BLACK HIGH TEMP MILL PAC W573-0007 (NOT SUPPLIED) WITH THE EXCEPTION OF THE APPLIANCE EXHAUST FLUE COLLAR WHICH MUST BE SEALED USING MILL PAC.
IF USING PIPE CLAMPS TO CONNECT VENT COMPONENTS, A MINIMUM OF 3 SCREWS MUST ALSO BE USED TO ENSURE THE CONNECTION CANNOT SLIP OFF.
DO NOT CLAMP THE FLEXIBLE VENT PIPE.
RISK OF FIRE, EXPLOSION OR ASPHYXIATION. IMPROPER SUPPORT OF THE ENTIRE VENTING SYSTEM MAY ALLOW VENT TO SAG AND SEPARATE. USE VENT RUN SUPPORTS AND CONNECT VENT SECTIONS PER INSTALLATION INSTRUCTIONS.
RISK OF FIRE, DO NOT ALLOW LOOSE MATERIALS OR INSULATION TO TOUCH THE VENT PIPE. REMOVE INSULATION TO ALLOW FOR THE INSTALLATION OF THE ATTIC SHIELD AND TO MAINTAIN CLEARANCES TO COMBUSTIBLES.

68.2D

4.1 WALL AND CEILING PROTECTION

! WARNING
DO NOT FILL THE SPACE BETWEEN THE VENT PIPE AND ENCLOSURE WITH ANY TYPE OF MATERIAL. DO NOT PACK INSULATION OR COMBUSTIBLES BETWEEN CEILING FIRESTOPS. ALWAYS MAINTAIN SPECIFIED CLEARANCES AROUND VENTING AND FIRESTOP SYSTEMS. INSTALL WALL SHIELDS AND FIRESTOPS AS SPECIFIED. FAILURE TO KEEP INSULATION OR OTHER MATERIALS AWAY FROM VENT PIPE MAY CAUSE FIRE.

70.1

For optimum performance it is recommended that all horizontal runs have a minimum of 1/4' (6m) rise per foot using flexible venting. For safe and proper operation of the appliance, follow the venting instructions exactly.

4.1.1 HORIZONTAL INSTALLATION

! WARNING

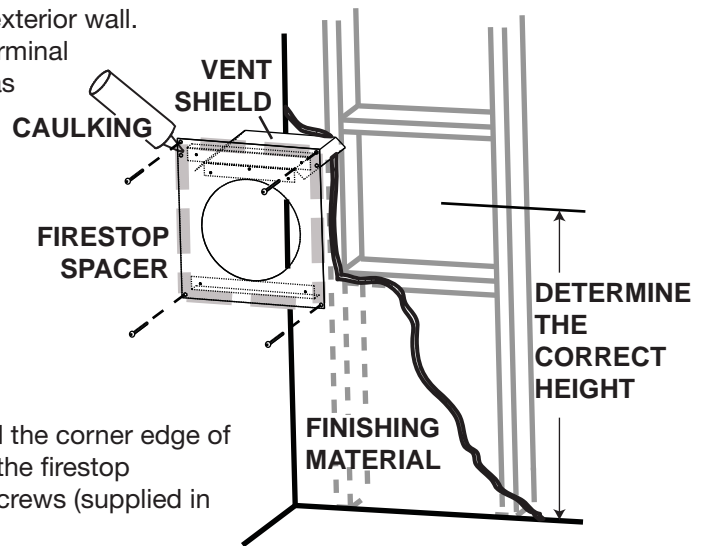
THE FIRESTOP ASSEMBLY MUST BE INSTALLED WITH THE VENT SHIELD TO THE TOP.

TERMINALS MUST NOT BE RECESSED INTO A WALL OR SIDING MORE THAN THE DEPTH OF THE RETURN FLANGE OF THE MOUNTING PLATE.

This application occurs when venting through an exterior wall. Having determined the correct height for the air terminal location, cut and frame a hole in the exterior wall as illustrated to accommodate the firestop assembly. Dry fit the firestop assembly before proceeding to ensure the brackets on the rear surface fit to the inside surface of the horizontal framing.

The length of the vent shield may be cut shorter for combustible walls that are less than 8 1/2" (215.9mm) thick but the vent shield must extend the full depth of the combustible wall.

- Apply a bead of caulking (not supplied) around the corner edge of the inside surface of the firestop assembly, fit the firestop assembly to the hole and secure using the 4 screws (supplied in your manual baggie).
- Once the vent pipe is installed in its final position, apply red RTV silicone (W573-0002) (not supplied) between the pipe and the firestop.

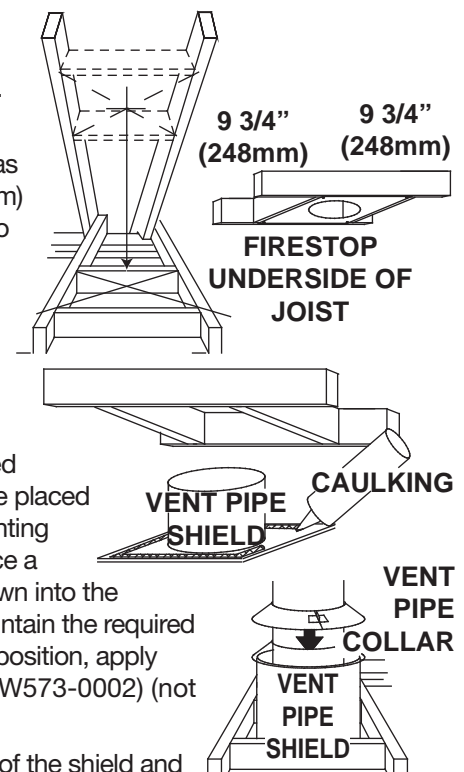


20.2B

4.1.2 VERTICAL INSTALLATION

This application occurs when venting through a roof. Installation kits for various roof pitches are available from your authorized dealer / distributor. See accessories to order specific kits required.

- Determine the air terminal location, cut and frame a square opening as illustrated in the ceiling and the roof to provide the minimum 1" (25mm) clearance between the vent pipe and any combustible material. Try to center the vent pipe location midway between two joists to prevent having to cut them. Use a plumb bob to line up the center of the openings. A vent pipe shield will prevent any materials such as insulation, from filling up the 1" (25mm) air space around the pipe. Nail headers between the joist for extra support.
- Apply a bead of caulking (not supplied) to the framework or to the Wolf Steel vent pipe shield plate or equivalent (in the case of a finished ceiling), and secure over the opening in the ceiling. A firestop must be placed on the bottom of each framed opening in a roof or ceiling that the venting system passes through. Apply a bead of caulking all around and place a firestop spacer over the vent shield to restrict cold air from being drawn into the room or around the fireplace. Ensure that both spacer and shield maintain the required clearance to combustibles. Once the vent pipe is installed in its final position, apply Mill Pac sealant (W573-0007) (not supplied) or red RTV silicone (W573-0002) (not supplied) between the pipe and the firestop assembly.
- In the attic, slide the vent pipe collar down to cover up the open end of the shield and tighten. This will prevent any materials, such as insulation, from filling up the 1" (25mm) air space around the pipe.



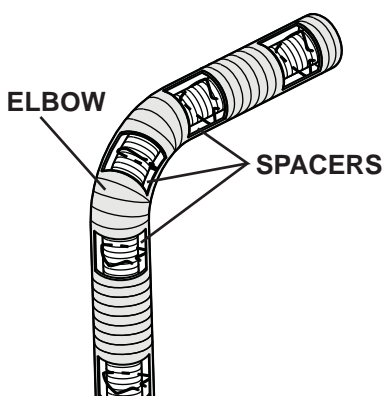
21.1B

4.2 USING FLEXIBLE VENT COMPONENTS

! WARNING

DO NOT ALLOW THE INNER FLEX PIPE TO BUNCH UP ON HORIZONTAL OR VERTICAL RUNS AND ELBOWS. KEEP IT PULLED TIGHT.

SPACERS ARE ATTACHED TO THE INNER FLEX PIPE AT PREDETERMINED INTERVALS TO MAINTAIN AN EVEN AIR GAP TO THE OUTER FLEX PIPE. THIS GAP IS REQUIRED FOR SAFE OPERATION. A SPACER IS REQUIRED AT THE START, MIDDLE AND END OF EACH ELBOW TO ENSURE THIS GAP IS MAINTAINED. THESE SPACERS MUST NOT BE REMOVED.



For safe and proper operation of the appliance, follow the venting instructions exactly.

All inner flex pipe and outer flex pipe joints may be sealed using high temperature red RTV silicone W573-0002 (not supplied) or the high temperature sealant W573-0007 Mill Pac (not supplied). However, the high temperature sealant W573-0007 Mill Pac (not supplied) must be used on the joint connecting the inner flex pipe and the exhaust flue collar.

Use only approved flexible vent pipe kits marked:

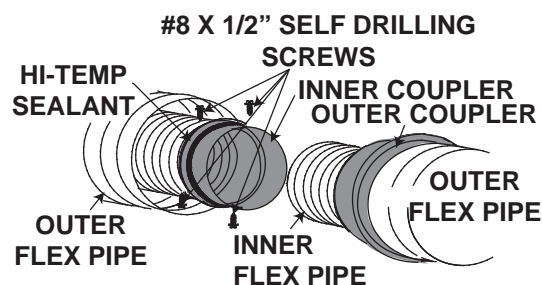
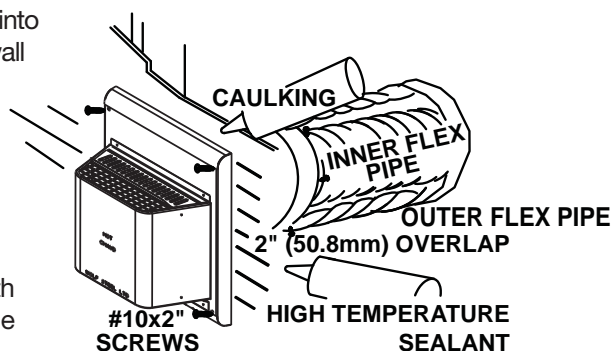


“Wolf Steel Approved Venting” as identified by the stamp only on the outer flex pipe.

22.1A

4.2.1 HORIZONTAL AIR TERMINAL INSTALLATION

- Stretch the inner flex pipe to the required length taking into account the additional length needed for the finished wall surface. Apply a heavy bead of the Mill Pac sealant (W573-0007) (not supplied) to the inner sleeve of the air terminal. Slip the vent pipe a minimum of 2" (50.8mm) over the inner sleeve of the air terminal and secure with a minimum of 3 #8 screws.
- Using the outer flex pipe, slide over the outer combustion air sleeve of the air terminal and secure with a minimum of 3 #8 screws. Seal using red RTV silicone (W573-0002) (not supplied).
- Insert the vent pipes through the firestop maintaining the required clearance to combustibles. Holding the air terminal (lettering in an upright, readable position), secure to the exterior wall and make weather tight by sealing with caulking (not supplied).
- If more vent pipe needs to be used to reach the fireplace, couple them together as illustrated. The vent system must be supported approximately every 3 feet (0.9m) for both vertical and horizontal runs. Use noncombustible strapping to maintain the minimum clearance to combustibles.



The air terminal mounting plate may be recessed into the exterior wall or siding no greater than the depth of its return flange.

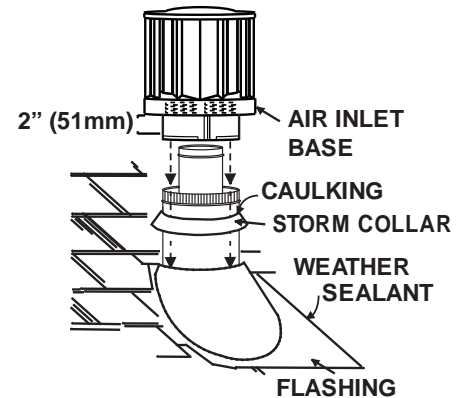
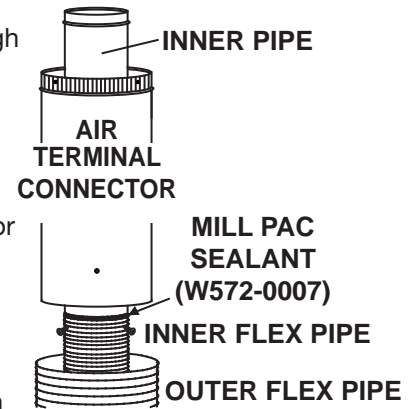
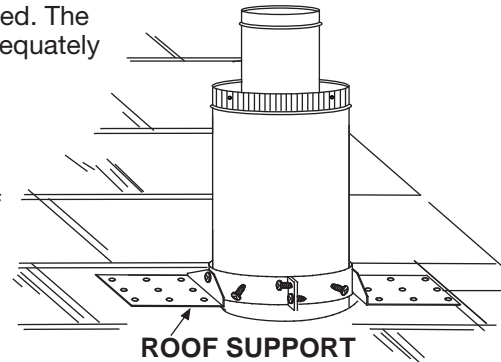
23.1C

4.2.2 VERTICAL AIR TERMINAL INSTALLATION

! WARNING

MAINTAIN A MINIMUM 2" (51mm) SPACE BETWEEN THE AIR INLET BASE AND THE STORM COLLAR.

- A. Fasten the roof support to the roof using the screws provided. The roof support is optional. In this case the venting is to be adequately supported using either an alternate method suitable to the authority having jurisdiction or the optional roof support.
- B. Stretch the inner flex pipe to the required length. Slip the inner flex pipe a minimum of 2" (51mm) over the inner pipe of the air terminal connector and secure with a minimum of 3 #8 screws. Seal using a heavy bead of Mill Pac sealant (W573-0007) (not supplied).
- C. Repeat using the outer flex pipe, using a heavy bead of red RTV silicone (W573-0002) (not supplied) and a minimum of 3 #8 screws.
- D. Thread the air terminal connector / vent pipe assembly down through the roof. The air terminal must be positioned vertically and plumb. Attach the air terminal connector to the roof support, ensuring that the top of the air terminal is 16" (406mm) above the highest point that it penetrates the roof.
- E. Remove nails from the shingles, above and to the sides of the air terminal connector. Place the flashing over the air terminal connector leaving a min. 3/4" (19mm) of the air terminal connector showing above the top of the flashing. Slide the flashing underneath the sides and upper edge of the shingles. Ensure that the air terminal connector is properly centred within the flashing, giving a 3/4" (19mm) margin all around. Fasten to the roof. Do not nail through the lower portion of the flashing. Make weather-tight by sealing with caulking. Where possible, cover the sides and top edges of the flashing with roofing material.
- F. Aligning the seams of the terminal and air terminal connector, place the terminal over the air terminal connector making sure the vent pipe goes into the hole in the terminal. Secure with the three screws provided.
- G. Apply a heavy bead of weatherproof caulking 2" (51mm) above the flashing. Install the storm collar around the air terminal and slide down to the caulking. Tighten to ensure that a weather-tight seal between the air terminal and the collar is achieved.
- H. If more vent pipe needs to be used to reach the appliance see "HORIZONTAL AIR TERMINAL INSTALLATION" section.



24.1C

4.3 USING RIGID VENT COMPONENTS

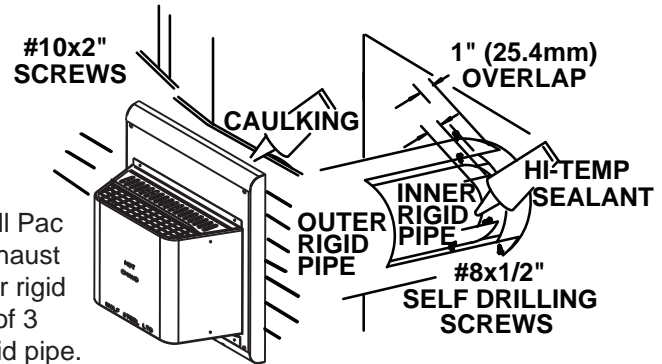
The vent system must be supported approximately every 3 feet (0.9m) for both vertical and horizontal runs. Use Wolf Steel Ltd. support ring assembly or equivalent noncombustible strapping to maintain the minimum clearance to combustibles for both vertical and horizontal runs.

All inner exhaust and outer intake vent pipe joints may be sealed using either red high temperature silicone sealant W573-0002 (not supplied) or black high temperature sealant W573-0007 Mill Pac (not supplied) with the exception of the appliance exhaust flue collar which must be sealed using Mill Pac.

25.1A

4.3.1 HORIZONTAL AIR TERMINAL INSTALLATION

- A. Move the appliance into position. Measure the vent length required between terminal and appliance taking into account the additional length needed for the finished wall surface and any 1¼" (31.8mm) overlaps between venting components.
- B. Apply high temperature sealant W573-0007 Mill Pac (not supplied) to the outer edge of the inner exhaust flue collar of the appliance. Attach the first inner rigid pipe component and secure using a minimum of 3 self tapping screws. Repeat using the outer rigid pipe.
- C. Insert the vent pipes through the firestop maintaining the required clearance to combustibles. Holding the air terminal (lettering in an upright, readable position), secure to the exterior wall and make weather tight by sealing with caulking (not supplied).

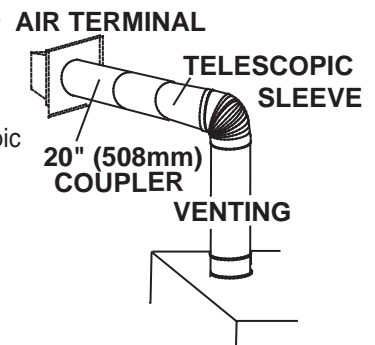


The air terminal mounting plate may be recessed into the exterior wall or siding no greater than the depth of the return flange.

26.1A

4.3.2 EXTENDED HORIZONTAL AIR TERMINAL INSTALLATION

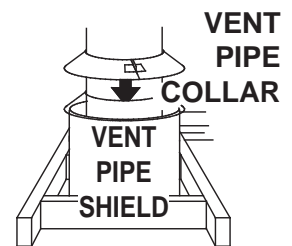
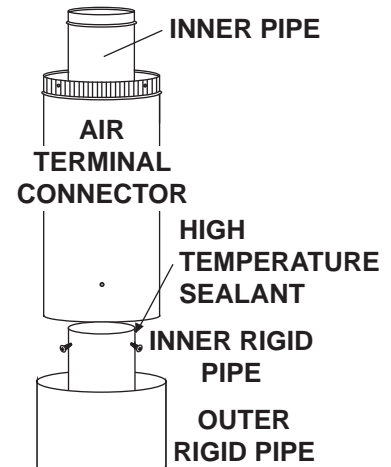
- A. Follow the instructions for "HORIZONTAL AIR TERMINAL INSTALLATIONS" section.
- B. Continue adding components alternating inner rigid pipe and outer rigid pipe. Ensure that all inner rigid pipe and elbows have sufficient vent spacers attached and each component is sealed and securely fastened to the one prior. Attach the inner telescopic sleeve to the vent run. Repeat using the outer telescopic sleeve. Seal and secure as before. To facilitate completion, attach inner and outer couplers to the air terminal.
- C. Install the air terminal. See "HORIZONTAL AIR TERMINAL INSTALLATION" section.



48.1A

4.3.3 VERTICAL VENTING INSTALLATION

- A. Move the appliance into position.
- B. Fasten the roof support to the roof using the screws provided. The roof support is optional. In this case the venting is to be adequately supported using either an alternate method suitable to the authority having jurisdiction or the optional roof support.
- C. Apply high temperature sealant (not supplied) to the outer edge of the inner sleeve of the air terminal. Slip the inner coupler a minimum of 2" (51mm) over the sleeve and secure using a minimum of 3 screws.
- D. Apply high temperature sealant (not supplied) to the outer edge of the of the outside sleeve of the air terminal connector. Slip the outer coupler over the sleeve and secure as before. Trim the outer coupler even with the inner coupler end.
- E. Thread the air terminal connector / vent pipe assembly down through the roof support and attach, ensuring that a minimum 16" (406mm) of air terminal connector will penetrate the roof when fastened. If the attic space is tight, we recommend threading the Wolf Steel vent pipe collar or equivalent loosely onto the air terminal connector / vent pipe assembly as it is passed through the attic. The air terminal connector must be located vertically and plumb.
- F. Remove nails from the shingles, above and to the sides of the air terminal connector. Place the flashing over the air terminal connector and slide it underneath the sides and upper edge of the shingles. Ensure that the air terminal connector is properly centered within the flashing, giving a 3/4" (19mm) margin all around. Fasten to the roof. Do NOT nail through the lower portion of the flashing. Make weather-tight by sealing with caulking. Where possible, cover the sides and top edges of the flashing with roofing material.
- G. Apply a heavy bead of waterproof caulking 2" (51mm) above the flashing. Install the storm collar around the air terminal and slide down to the caulking. Tighten to ensure that a weather-tight seal between the air terminal connector and the collar is achieved.
- H. Continue adding rigid venting sections, sealing and securing as above. Attach the inner collapsed telescopic sleeve to the last section of rigid piping. Secure with screws and seal. Repeat using the outer telescopic sleeve.
- I. Run a bead of red RTV silicone (not supplied) around the outside of the inner exhaust flue collar on the appliance. Pull the telescopic sleeve a minimum of 2" (51mm) onto the collar. Secure with a minimum of 3 screws. Repeat with the outer telescopic sleeve.
- J. In the attic, slide the vent pipe collar down to cover up the open end of the shield and tighten. This will prevent any materials, such as insulation, from filling up the 1" (25mm) air space around the pipe.



27.2A

4.4 MOBILE HOME

This appliance must be installed in accordance with the manufacturer's instructions and the Manufactured Home Construction and Safety Standard, Title 24 CFR, Part 3280, in the United States or the Mobile Home Standard, CAN/CSA Z240 MH Series, in Canada. This appliance is only for use with the type(s) of gas indicated on the rating plate.

This Mobile/Manufactured Home Listed appliance comes factory equipped with a means to secure the unit. Built in appliances are equipped with 1/4" (6.4mm) diameter holes located in the front left and right corners of the base. Use #10 hex head screws, inserted through the holes in the base to secure. For free standing products contact your local authorized dealer / distributor for the appropriate securing kit. For mobile home installations, the appliance must be fastened in place. It is recommended that the appliance be secured in all installations. Always turn off the pilot and the fuel supply at the source, prior to moving the mobile home. After moving the mobile home and prior to lighting the appliance, ensure that the logs are positioned correctly.

This appliance is certified to be installed in an aftermarket permanently located, manufactured (mobile) home, where not prohibited by local codes.

This appliance is only for use with the type of gas indicated on the rating plate. This appliance is not convertible for use with other gases, unless a certified kit is used.

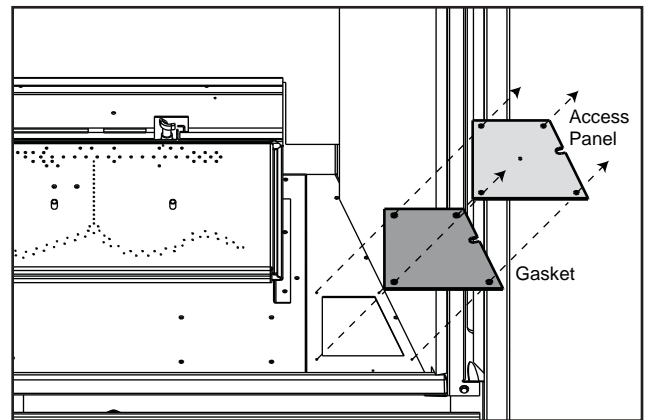
Conversion Kits

This appliance is field convertible between Natural Gas (NG) and Propane (LP). To convert from one gas to another consult your Authorized dealer/distributor.

29.1B

4.5 ACCESS PANEL FOR GAS LINE CONNECTION

- A. Remove the 2 screws holding the grate in place.
- B. Unscrew the 4 screws that hold the Access Panel to the firebox.
- C. Remove the Gasket (careful not to tear).



4.6 GAS INSTALLATION

! WARNING

RISK OF FIRE, EXPLOSION OR ASPHYXIATION. ENSURE THERE ARE NO IGNITION SOURCES SUCH AS SPARKS OR OPEN FLAMES.

SUPPORT GAS CONTROL WHEN ATTACHING GAS SUPPLY PIPE TO PREVENT DAMAGING GAS LINE.

ALWAYS LIGHT THE PILOT WHETHER FOR THE FIRST TIME OR IF THE GAS SUPPLY HAS RUN OUT WITH THE GLASS DOOR OPENED OR REMOVED. PURGING OF THE GAS SUPPLY LINE SHOULD BE PERFORMED BY A QUALIFIED SERVICE TECHNICIAN. ASSURE THAT A CONTINUOUS GAS FLOW IS AT THE BURNER BEFORE CLOSING THE DOOR. ENSURE ADEQUATE VENTILATION. FOR GAS AND ELECTRICAL LOCATIONS, SEE "DIMENSION" SECTION.

ALL GAS CONNECTIONS MUST BE CONTAINED WITHIN THE APPLIANCE WHEN COMPLETE.

HIGH PRESSURE WILL DAMAGE VALVE. DISCONNECT GAS SUPPLY PIPING BEFORE TESTING GAS LINE AT TEST PRESSURES ABOVE 1/2 PSIG.

VALVE SETTINGS HAVE BEEN FACTORY SET, DO NOT CHANGE.

Installation and servicing to be done by a qualified installer.

- Move the appliance into position and secure.
- If equipped with a flex connector the appliance is designed to accept a 1/2" (13mm) gas supply. Without the connector it is designed to accept a 3/8" (9.5mm) gas supply. The appliance is equipped with a manual shut off valve to turn off the gas supply to the appliance.
- Connect the gas supply in accordance to local codes. In the absence of local codes, install to the current CAN/CSA-B149.1 Installation Code in Canada or to the current National Fuel Gas Code, ANSI Z223.1 / NFPA 54 in the United States.
- When flexing any gas line, support the gas valve so that the lines are not bent or kinked.
- The gas line flex-connector should be installed to provide sufficient movement for shifting the burner assembly on its side to aid with servicing components.
- Check for gas leaks by brushing on a soap and water solution. **Do not use open flame.**

30.1A

5.0 FRAMING

! WARNING
RISK OF FIRE!
IN ORDER TO AVOID THE POSSIBILITY OF EXPOSED INSULATION OR VAPOUR BARRIER COMING IN CONTACT WITH THE APPLIANCE BODY, IT IS RECOMMENDED THAT THE WALLS OF THE APPLIANCE ENCLOSURE BE "FINISHED" (IE: DRYWALL / SHEETROCK), AS YOU WOULD FINISH ANY OTHER OUTSIDE WALL OF A HOME. THIS WILL ENSURE THAT CLEARANCE TO COMBUSTIBLES IS MAINTAINED WITHIN THE CAVITY.
DO NOT NOTCH THE FRAMING AROUND THE APPLIANCE STAND-OFFS. FAILURE TO MAINTAIN AIR SPACE CLEARANCE MAY CAUSE OVER HEATING AND FIRE. PREVENT CONTACT WITH SAGGING OR LOOSE INSULATION OR FRAMING AND OTHER COMBUSTIBLE MATERIALS. BLOCK OPENING INTO THE CHASE TO PREVENT ENTRY OF BLOWN-IN INSULATION. MAKE SURE INSULATION AND OTHER MATERIALS ARE SECURED.
WHEN CONSTRUCTING THE ENCLOSURE ALLOW FOR FINISHING MATERIAL THICKNESS TO MAINTAIN CLEARANCES. FRAMING OR FINISHING MATERIAL CLOSER THAN THE MINIMUMS LISTED MUST BE CONSTRUCTED ENTIRELY OF NON-COMBUSTIBLE MATERIALS. MATERIALS CONSISTING ENTIRELY OF STEEL, IRON, BRICK, TILE, CONCRETE, SLATE, GLASS OR PLASTERS, OR ANY COMBINATION THEREOF ARE SUITABLE. MATERIALS THAT ARE REPORTED AS PASSING ASTM E 136, STANDARD TEST METHOD FOR BEHAVIOUR OF MATERIALS IN A VERTICAL TUBE FURNACE AT 1382° F (750°C) AND UL763 SHALL BE CONSIDERED NON-COMBUSTIBLE MATERIALS.
MINIMUM CLEARANCE TO COMBUSTIBLES MUST BE MAINTAINED OR A SERIOUS FIRE HAZARD COULD RESULT.
THE APPLIANCE REQUIRES A MINIMUM ENCLOSURE HEIGHT. MEASURE FROM THE APPLIANCE BASE.
IF STEEL STUD FRAMING KITS WITH CEMENT BOARD ARE PROVIDED, OR SPECIFIED IN THE INSTALLATION INSTRUCTIONS, THEY MUST BE INSTALLED.
IF SPECIFIED IN THE INSTALLATION INSTRUCTION FINISHING MUST BE DONE USING A NON-COMBUSTIBLE MATERIAL SUCH AS NON-COMBUSTIBLE BOARD, CERAMIC TILE, MARBLE, ETC. DO NOT USE WOOD OR DRYWALL. ANY FIRE RATED DRYWALL IS NOT ACCEPTABLE

71.1C

It is best to frame your appliance after it is positioned and the vent system is installed. Frame to local building codes.

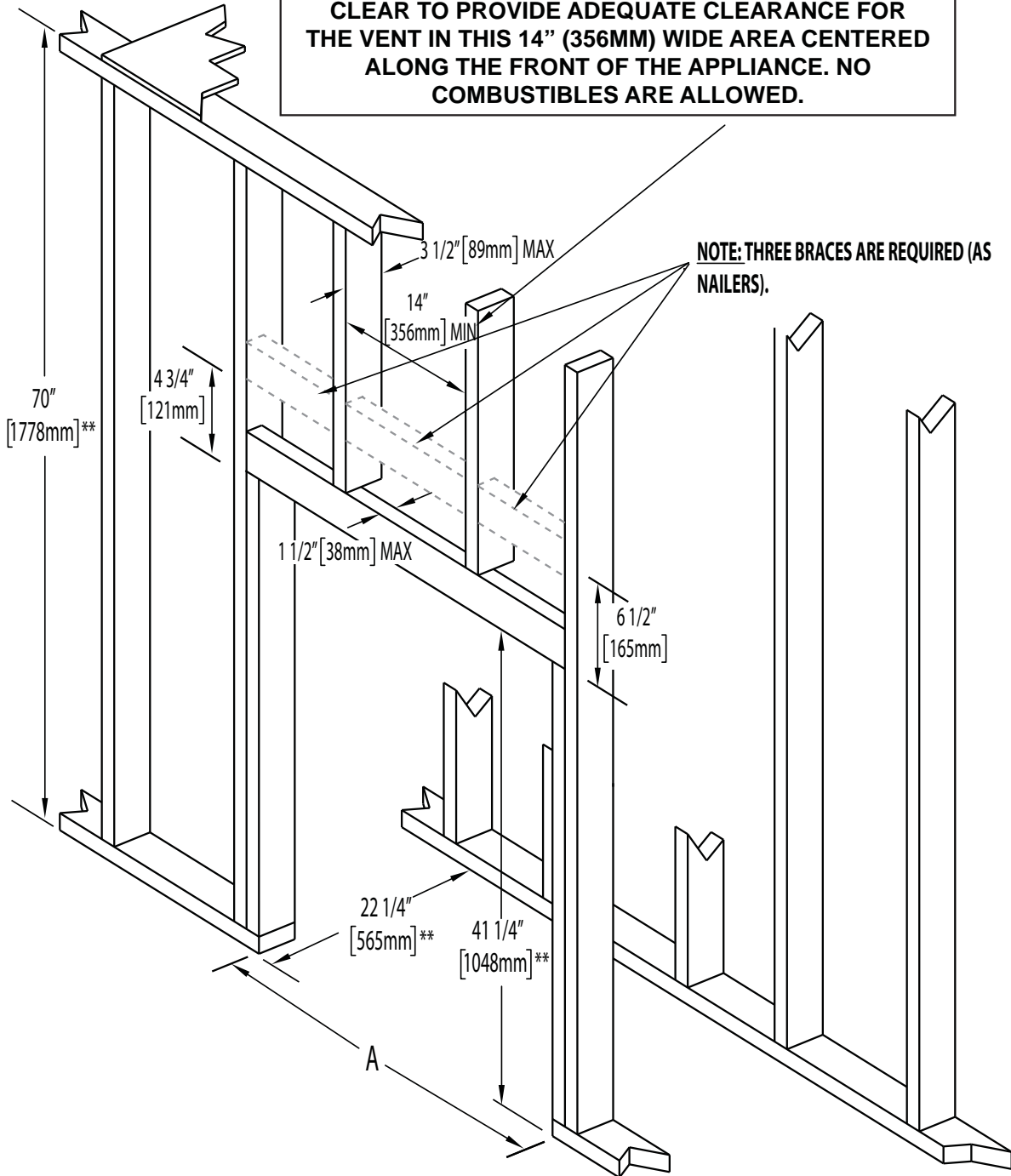
It is not necessary to install a hearth extension with this appliance.

When roughing in the appliance, raise the appliance to accommodate for the thickness of the finished floor materials, i.e. tile, carpeting, hard wood, which if not planned for will interfere with the opening of the lower access door and the installation of many decorative flashing accessories.

Combustible materials may be installed flush with the front of the appliance but must not cover any of the black face-areas of the appliance. Non-combustible material (brick, stone or ceramic tile) may protrude in these areas.

! WARNING

DO NOT BUILD INTO THIS AREA - IT MUST BE LEFT CLEAR TO PROVIDE ADEQUATE CLEARANCE FOR THE VENT IN THIS 14" (356MM) WIDE AREA CENTERED ALONG THE FRONT OF THE APPLIANCE. NO COMBUSTIBLES ARE ALLOWED.



FRAMING DIMENSIONS			
Ref	HD35-1	HD40-1	HD46-1
A	35 3/4" (908mm)	40 3/4" (1035mm)	46 3/4" (1187mm)

* Allow for finished floor and hearth thickness when setting these dimensions.

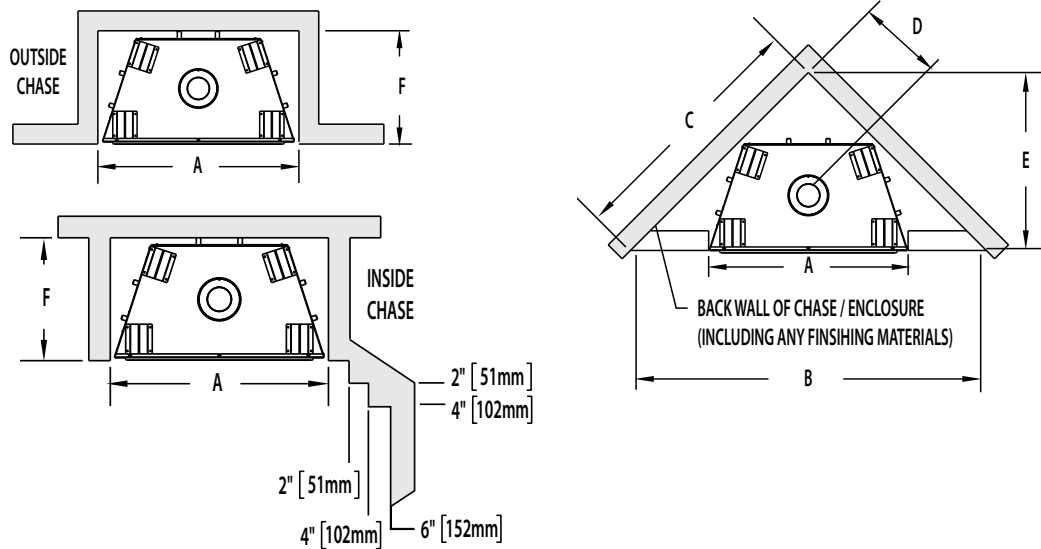
** When constructing the enclosure allow for finishing material thickness to maintain clearances.

5.1 MINIMUM CLEARANCE TO COMBUSTIBLES

COMBUSTIBLE FRAMING:	
Sides, back, bottom and top of the appliance	0" to stand offs
COMBUSTIBLE FINISHING:	
Sides, Bottom and Top	1 1/4"(32 mm) to sides, 0" to bottom, 7 3/8"(187 mm) to top of the appliance
Enclosure Top	70" (1778mm) from the bottom of the appliance
Recessed Depth	22 1/4" (565mm)
Sides and bottom of the vent pipe	1"* (25mm)
Top of vent pipe	2"* (51mm)
Ceiling	62" (1575mm) from the bottom of the appliance

* **HORIZONTAL VENT SECTIONS:** A minimum clearance of 1" (25mm) at the bottom and sides and 2" (51mm) at the top of the vent pipe in all horizontal runs to combustibles is required except for clearances in appliance enclosures. Horizontal vent sections within enclosures require a minimum clearance of 9" (229mm) at the top of the vent pipe. See "MINIMUM CLEARANCE TO COMBUSTIBLE ENCLOSURES" section. Use firestop spacer W010-1777 (supplied) where vent pipe penetrates combustible walls.

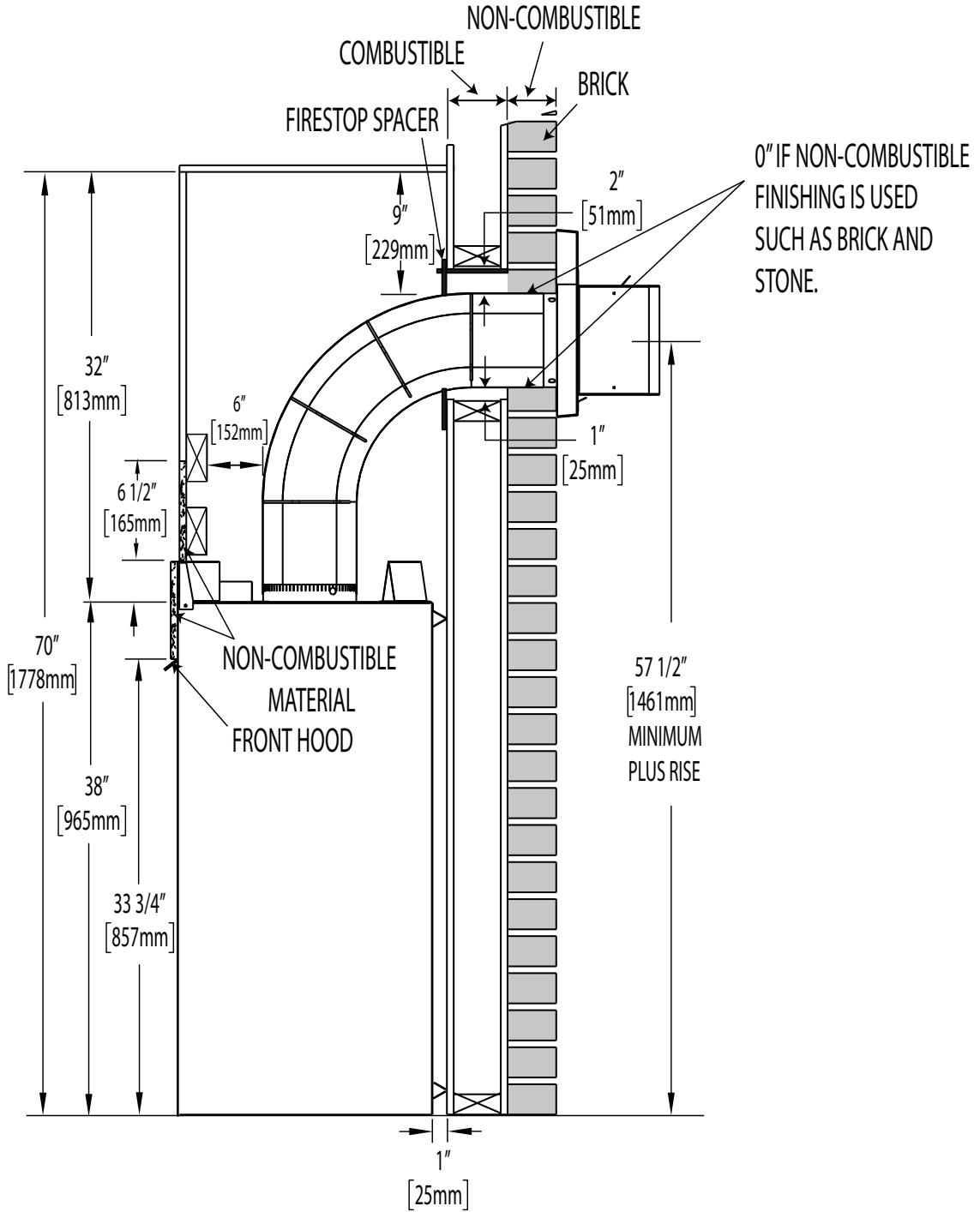
* **VERTICAL VENT SECTIONS:** A minimum clearance of 1" (25mm) all around the vent pipe on all vertical runs to combustibles is required except for clearances in appliance enclosures. Vertical vent sections within enclosures require a minimum clearance of 4" (102mm) to the sides of the vent pipe. See "MINIMUM CLEARANCE TO COMBUSTIBLE ENCLOSURES" section. Use firestop spacer W500-0367 (not supplied) where vent pipe penetrates combustible ceilings or floors.



MINIMUM ENCLOSURE CLEARANCES			
Ref	HD35-1	HD40-1	HD46-1
A	35 3/4" (908mm)	40 3/4" (1035mm)	46 3/4" (1187mm)
B	61 1/2" (1562mm)	66 1/2" (1689mm)	72 1/2" (1842mm)
C	43 1/2" (1105mm)	47" (1194mm)	51 1/4" (1302mm)
D	14 13/16" (376mm)	16 9/16" (421mm)	18 11/16" (475mm)
E	32 3/4" (832mm)	35 1/4" (895mm)	38 1/4" (972mm)
F	22 1/4" (565mm)	22 1/4" (565mm)	22 1/4" (565mm)

5.2 MINIMUM CLEARANCE TO COMBUSTIBLE ENCLOSURES

EN

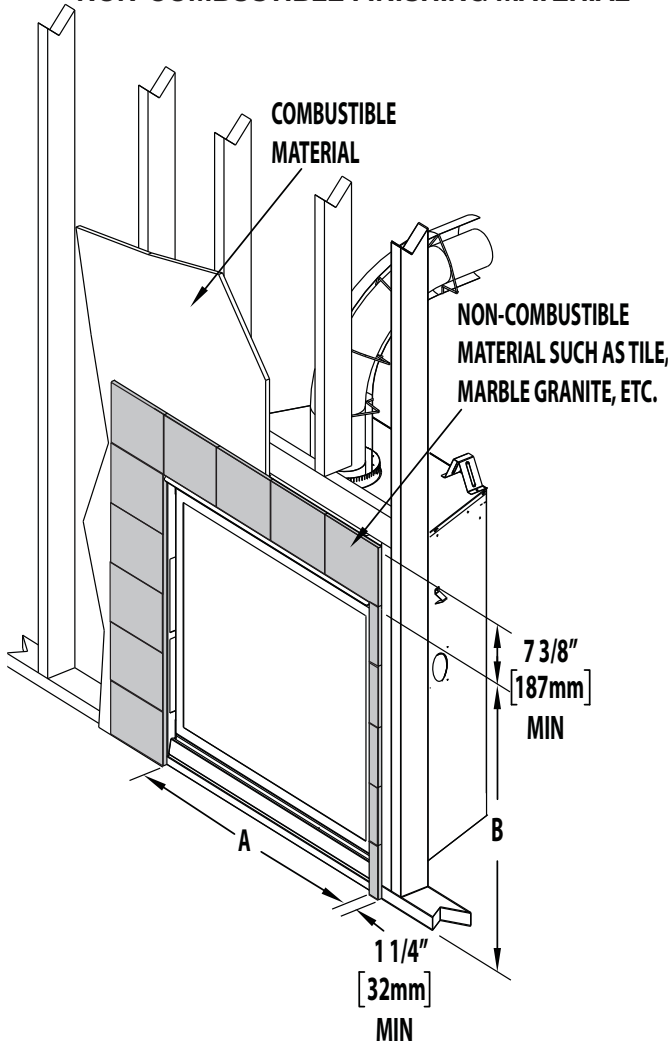


For temperature requirements, the enclosure space around and above the appliance must be left unobstructed. It is recommended that the enclosure be ventilated at the top and bottom to circulate the hot air.

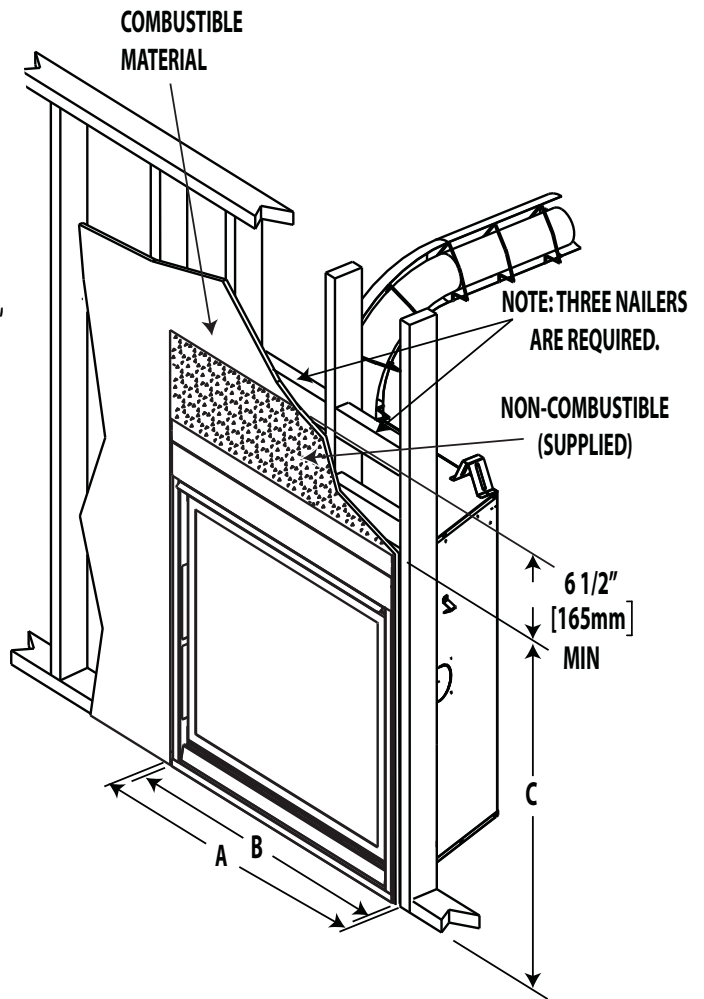
* See "VENTING" section.

5.3 INSTALLING NON-COMBUSTIBLE BOARD

NON-COMBUSTIBLE FINISHING MATERIAL



COMBUSTIBLE FINISHING MATERIAL



NOTE: For detailed installation instructions on the 4-sided frame, optional faceplate or bevelled trims refer to the installation instructions provided with the kit.

A joint compound that is resistant to heat and cracking should be used when taping and mudding seams.

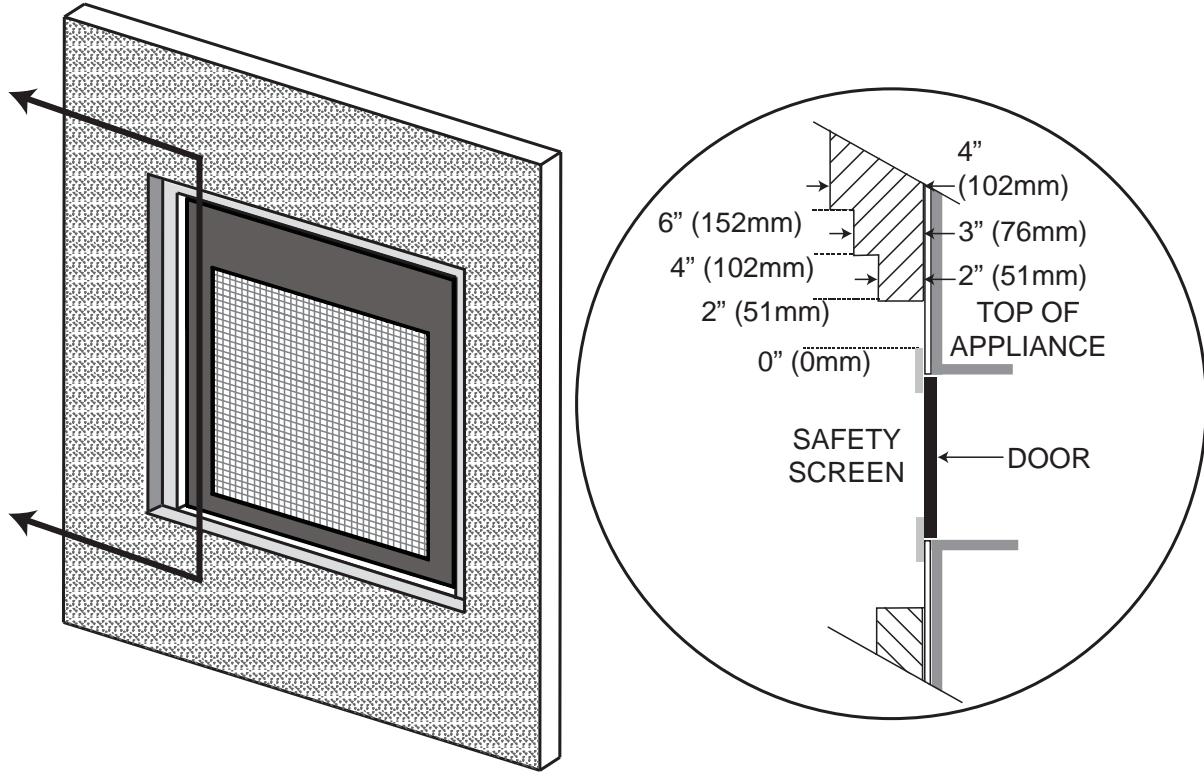
NON-COMBUSTIBLE MATERIAL FINISHING DIMENSIONS			
Ref	HD35-1	HD40-1	HD46-1
A	33" (838mm)	38" (965mm)	44" (1117mm)
B	33 3/4" (857mm)	33 3/4" (857mm)	33 3/4" (857mm)

COMBUSTIBLE MATERIAL FINISHING DIMENSIONS			
Ref	HD35-1	HD40-1	HD46-1
A	35 3/4" (908mm)	40 3/4" (1035mm)	46 3/4" (1187mm)
B	35 1/2" (902mm)	40 1/4" (1022mm)	46 1/4" (1175mm)
C	41" (1041mm)	41" (1041mm)	41" (1041mm)

Non-combustible Material Definitions

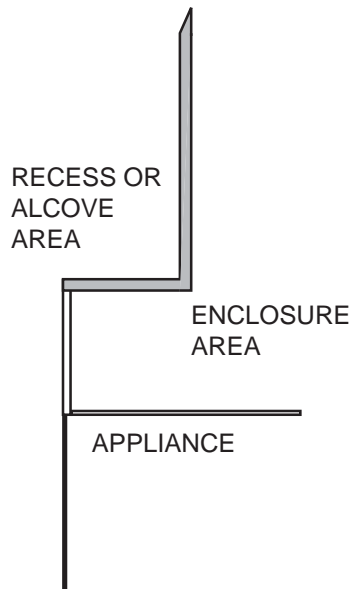
Material which will not ignite and burn. Materials consisting entirely of steel, iron, brick, tile, concrete, slate, glass or plasters, or any combination thereof are suitable.

Materials that are reported as passing ASTM E 136, Standard Test Method for Behaviour of Materials in a Vertical Tube Furnace at 750°C and UL763 shall be considered non-combustible materials.



WARNING: 2" (51mm) clearance from the surround is required for any additional projecting out a maximum 2" (51mm). if greater projections are desired, increase the clearance from the surround by 2" (51mm) for every 1" (25mm) of additional projection.

5.4 ALCOVE INSTALLATION



NOTE: Recesses or alcoves above the appliance can be made as deep as desired provided the minimum clearances to combustibles are maintained. Non-combustible material can be used, provided the minimum clearances to combustible materials are applied. The minimum enclosure volume must be increased by no less than the volume of the recess. This adjustment can be made by increasing any or all of the height, width and depth of the enclosure.

5.5 MINIMUM MANTEL CLEARANCES

! WARNING

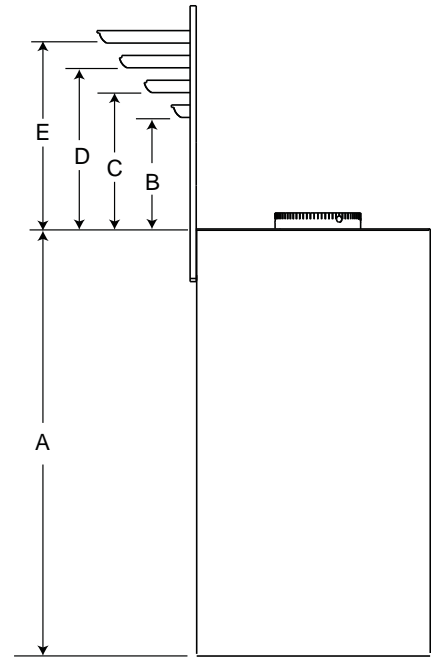
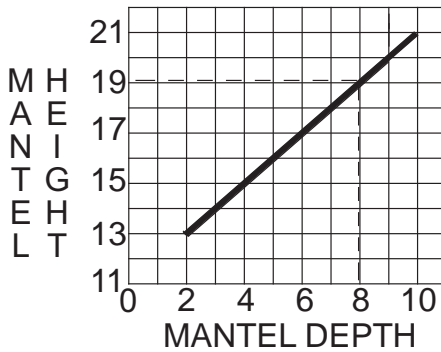
RISK OF FIRE, MAINTAIN ALL SPECIFIED AIR SPACE CLEARANCES TO COMBUSTIBLES. FAILURE TO COMPLY WITH THESE INSTRUCTIONS MAY CAUSE A FIRE OR CAUSE THE APPLIANCE TO OVERHEAT. ENSURE ALL CLEARANCES (I.E. BACK, SIDE, TOP, VENT, MANTEL, FRONT, ETC.) ARE CLEARLY MAINTAINED.

WHEN USING PAINT OR LACQUER TO FINISH THE MANTEL, THE PAINT OR LACQUER MUST BE HEAT RESISTANT TO PREVENT DISCOLOURATION.

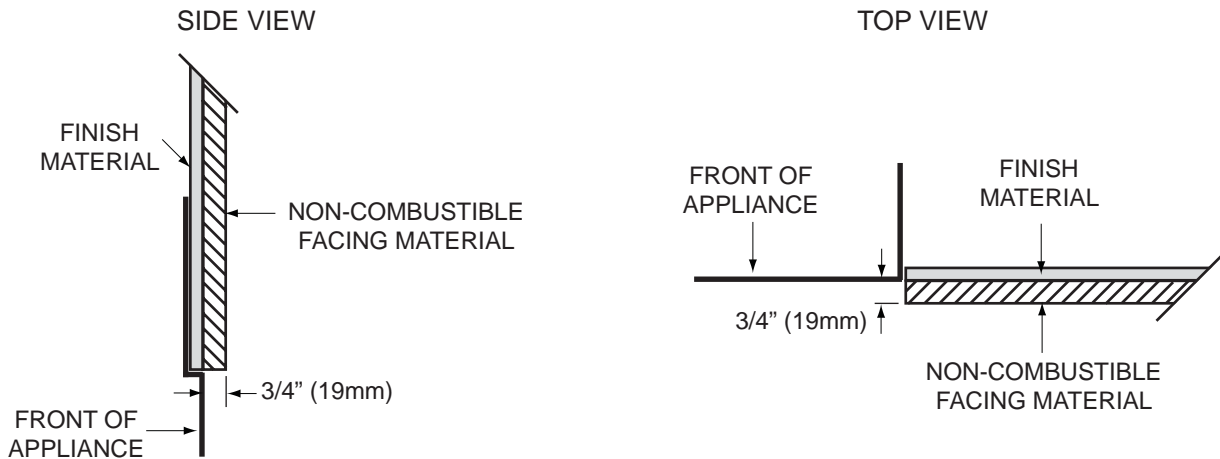
73.1

Combustible mantel clearance can vary according to the mantel depth. Use the graph to help evaluate the clearance needed.

MANTEL DIMENSIONS		
Ref	Height	Depth
A	38" (965mm)	
B	13" (330mm)	2" (51mm)
C	15" (381mm)	4" (102mm)
D	17" (432mm)	6" (152mm)
E	19" (483mm)	8" (203mm)



5.6 NON-COMBUSTIBLE FACING MATERIAL



WARNING: Non-combustible facing material may protrude past the face of the opening relative to its depth as referenced in the table. If it does, it is considered a non-combustible protrusion and must meet the non-combustible protrusion clearance requirements.

71.3B

6.0 FINISHING

! WARNING

RISK OF FIRE!

NEVER OBSTRUCT THE FRONT OPENING OF THE APPLIANCE.

IF FINISHING THE FRONT OF THE APPLIANCE, IT MUST BE FINISHED WITH ANY NON-COMBUSTIBLE MATERIAL SUCH AS BRICK, MARBLE, GRANITE, ETC.

DO NOT STRIKE, SLAM OR SCRATCH GLASS. DO NOT OPERATE APPLIANCE WITH GLASS REMOVED, CRACKED, BROKEN OR SCRATCHED.

FACING AND/OR FINISHING MATERIAL MUST NEVER OVERHANG INTO THE APPLIANCE OPENING.

72.1B

6.1 SAFETY SCREEN REMOVAL / INSTALLATION

! WARNING

GLASS MAY BE HOT, DO NOT TOUCH GLASS UNTIL COOLED.

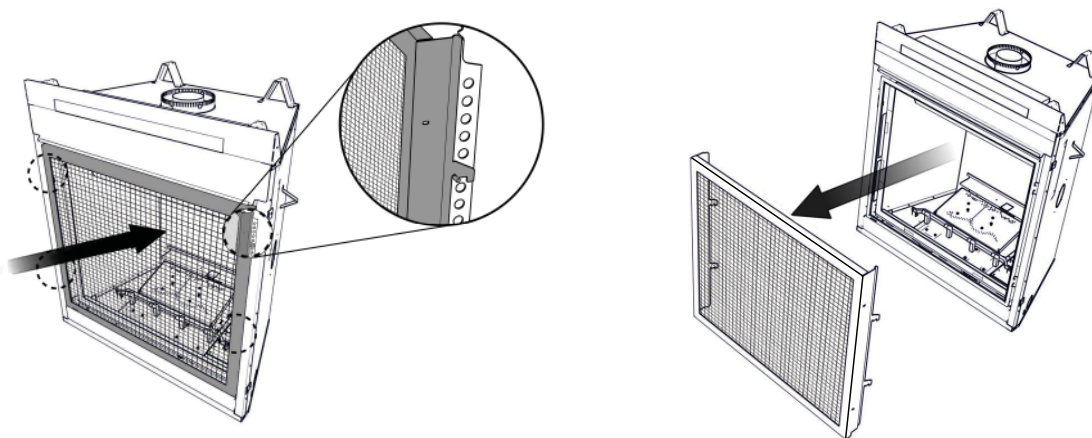
THE DOOR LATCHES ARE PART OF A SAFETY RELIEF SYSTEM AND MUST BE PROPERLY ENGAGED. DO NOT OPERATE THE APPLIANCE WITH LATCHES DISENGAGED.

FACING AND/OR FINISHING MATERIALS MUST NOT INTERFERE WITH AIR FLOW THROUGH AIR OPENINGS, LOUVRE OPENINGS, OPERATION OF LOUVRES OR DOORS OR ACCESS FOR SERVICE. OBSERVE ALL CLEARANCES WHEN APPLYING COMBUSTIBLE MATERIALS.

BEFORE DOOR IS REMOVED TURN THE APPLIANCE OFF AND WAIT UNTIL APPLIANCE IS COOL TO THE TOUCH. DOORS ARE HEAVY AND FRAGILE SO HANDLE WITH CARE.

75.1

A barrier designed to reduce the risk of burns from the hot viewing glass is provided with the appliance and must be installed. Before the glass door can be removed, the surround with safety screen must be removed. Lift the surround with safety screen off the 4 shoulder screws, tilt the top forward and remove from the appliance.



Reverse these steps to re-install the safety screen and door. Ensure safety screen is installed correctly.

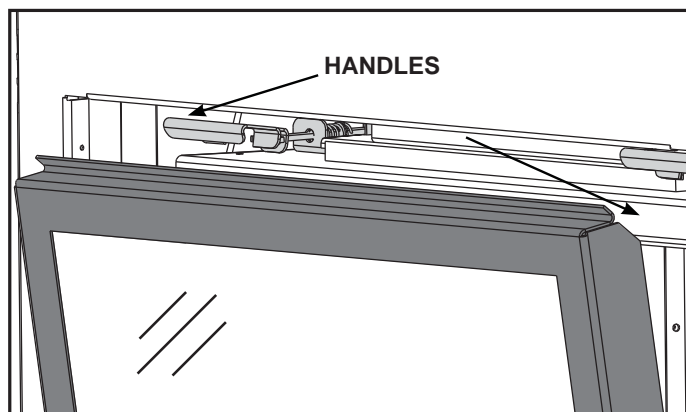
6.2 GLASS DOOR REMOVAL / INSTALLATION

Before the glass door can be removed, the surround with safety screen must be removed, see "SAFETY SCREEN REMOVAL / INSTALLATION" section.

The glass door is secured to the top front edge of the appliance with two latches. Pull the handles of the latches forward, then lift the latches out from the door frame to release the top of the door. Next, pivot the door forward until the top edge clears the front of the appliance. Carefully grip the sides of the door lifting it out from the retainer along the bottom of the door.

NOTE: These latches make up the spring relief system for the appliance. Ensure they open freely and close sealed.

Reverse these instructions to reinstall the door and surround with safety screen. Ensure the surround with safety screen is installed correctly.



6.3 LOG PLACEMENT

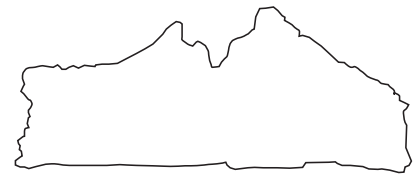
! WARNING
FAILURE TO POSITION THE LOGS IN ACCORDANCE WITH THESE DIAGRAMS OR FAILURE TO USE ONLY LOGS SPECIFICALLY APPROVED WITH THIS APPLIANCE MAY RESULT IN PROPERTY DAMAGE OR PERSONAL INJURY.
LOGS MUST BE PLACED IN THEIR EXACT LOCATION IN THE APPLIANCE. DO NOT MODIFY THE PROPER LOG POSITIONS, SINCE APPLIANCE MAY NOT FUNCTION PROPERLY AND DELAYED IGNITION MAY OCCUR.
THE LOGS ARE FRAGILE AND SHOULD BE HANDLED WITH CARE.

76.1A

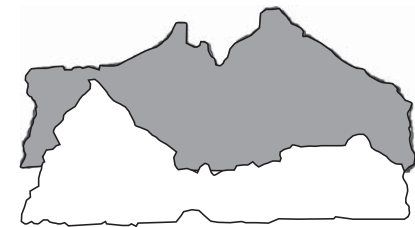
The individual logs can be easily identified by the numbers cast on the underside of each log. Phazer™ logs and glowing embers exclusive to Wolf Steel Ltd., provide a unique and realistic glowing effect that is different in every installation. Take the time to carefully position the glowing embers for a maximum glowing effect. During the initial use of the appliance, log colours may vary. During the initial use of the appliance the colours will become more uniform as colour pigments burn in during the heat activated curing process.

LOG IDENTIFICATION CHART			
LOGS	HD35-1	HD40-1	HD46-1
Rear Log	W135-0339	W135-0339	W135-0339
Middle Log	W135-0409	W135-0409	W135-0409
Left Log	W135-0406	W135-0406	W135-0406
Right Log	W135-0407	W135-0407	W135-0407
Charcoal Strip Log	W135-0408	W135-0408	W135-0408
Base Left Log	N/A	N/A	W135-0392
Base Right Log	N/A	N/A	W135-0393

- A.** Place the rear log (W135-0339) on rear bracket, ensure the log is seated properly on the rear bracket and located on the center pin.

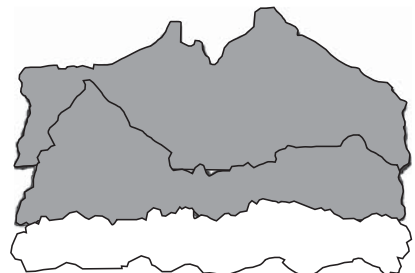


- B.** Place the middle log (W135-0409) on top of the burner pan. Use the two bottom holes of the log to locate it onto the two pins on the burner pan.

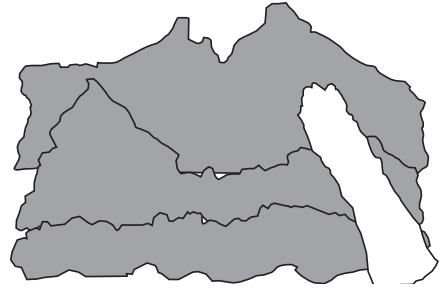


- C.** **HD35-1 / HD40-1:** Place the log charcoal strip (W135-0408) on top of the front grate by engaging the two cut out notches onto the two middle posts of the front grate.

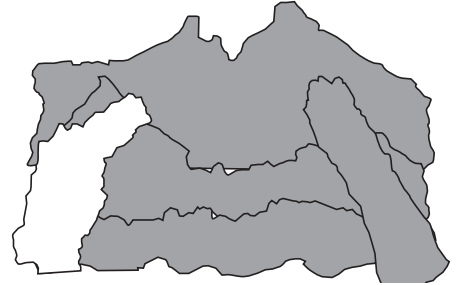
HD46-1: Place the log charcoal strip (W135-0408) on top of the support ember strip.



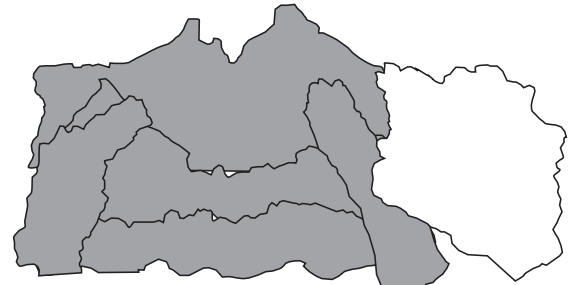
- D.** Place the right log (W135-0407) on top of the middle log by locating the bottom rectangular holes of the right log onto the knob of the middle log. The end of the log with a cut out notch will seat against the back of the right end front grate post.



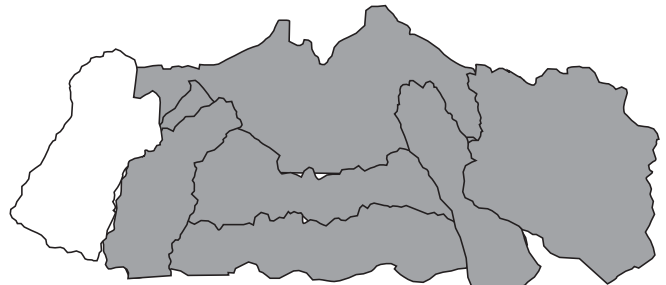
- E.** Place the left log (W135-0406) using the bottom rectangular hole to position onto the knob of the middle log located on the left. The notch on the bottom end of the log is to seat onto the left end front grate post.



- F. HD46-1 ONLY:** Place the base right log (W135-0393) using the bottom rectangular hole to engage with the two pins on the right as illustrated.



- G. HD46-1 ONLY:** Place the base left log (W135-0392) using the bottom hole of the log to locate it onto the base support bracket pin on the left side.



6.4 GLOWING EMBER PLACEMENT

Tear the embers into pieces and place along the front row of ports covering all of the burner area in front of the small logs. Care should be taken to shred the embers into thin, small irregular pieces as only the exposed edges of the fibre hairs will glow. ***The ember material will only glow when exposed to direct flame; however, care should be taken to not block the burner ports.***

Blocked burner ports can cause an incorrect flame pattern, carbon deposits and delayed ignition. **PHAZER™** logs glow when exposed to direct flame. Use only certified "glowing embers" and **PHAZER™** logs available from your authorized dealer / distributor.

6.5 CHARCOAL EMBERS

Randomly place the charcoal embers along the front and sides of the log support tray in a realistic manner. **Fine dust found in the bottom of the bag should not be used.**

NOTE: Charcoal embers are not to be placed on the burner.

32.1

6.6 OPTIONAL VERMICULITE

Sprinkle vermiculite around the charcoal embers.

NOTE: Vermiculite is not to be placed on the burner.

33.1

6.7 LAVA ROCK

Lava rock should be spread out evenly around the burner on the firebox base.

NOTE: Lava rock is not to be placed on the burner.

6.8 OPTIONAL CHARCOAL LUMPS (STANDARD ON HD46-1)



WARNING

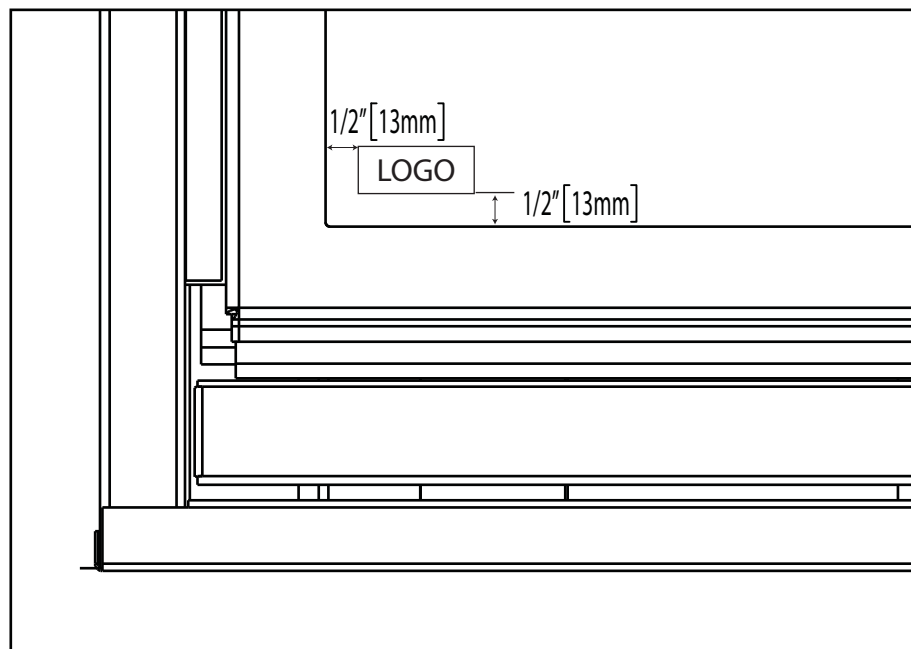
CHARCOAL EMBERS, VERMICULITE AND CHARCOAL LUMPS ARE NOT TO BE PLACED ON THE BURNER.

Place the lumps in front of the logs in a realistic manner taking care not to block any of the burner ports.

34.1

6.9 LOGO PLACEMENT

Remove the backing of the logo supplied and place on the glass viewing door or bottom access panel as illustrated.



7.0 OPTIONAL BLOWER INSTALLATION

! WARNING
RISK OF FIRE AND ELECTRICAL SHOCK.
TURN OFF THE GAS AND ELECTRICAL POWER BEFORE SERVICING THIS APPLIANCE.
USE ONLY WOLF STEEL APPROVED OPTIONAL ACCESSORIES AND REPLACEMENT PARTS WITH THIS APPLIANCE. USING NON-LISTED ACCESSORIES (BLOWERS, DOORS, LOUVRES, TRIMS, GAS COMPONENTS, VENTING COMPONENTS, ETC.) COULD RESULT IN A SAFETY HAZARD AND WILL VOID THE WARRANTY AND CERTIFICATION.
ENSURE THAT THE FAN'S POWER CORD IS NOT IN CONTACT WITH ANY SURFACE OF THE APPLIANCE TO PREVENT ELECTRICAL SHOCK OR FIRE DAMAGE. DO NOT RUN THE POWER CORD BENEATH THE APPLIANCE.
THE WIRE HARNESS PROVIDED IN THE BLOWER KIT IS A UNIVERSAL HARNESS. WHEN INSTALLED, ENSURE THAT ANY EXCESS WIRE IS CONTAINED, PREVENTING IT FROM MAKING CONTACT WITH MOVING OR HOT OBJECTS.

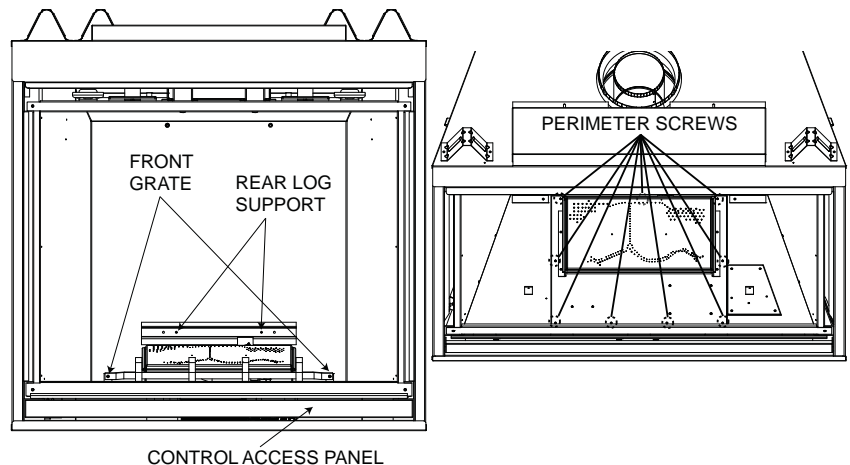
51.5

7.1 ACCESSING THE BLOWER

! WARNING
BE CAREFUL NOT TO TEAR THE BURNER TRAIN GASKET. A REPLACEMENT GASKET CAN BE ORDERED FROM YOUR LOCAL AUTHORIZED DEALER / DISTRIBUTOR.

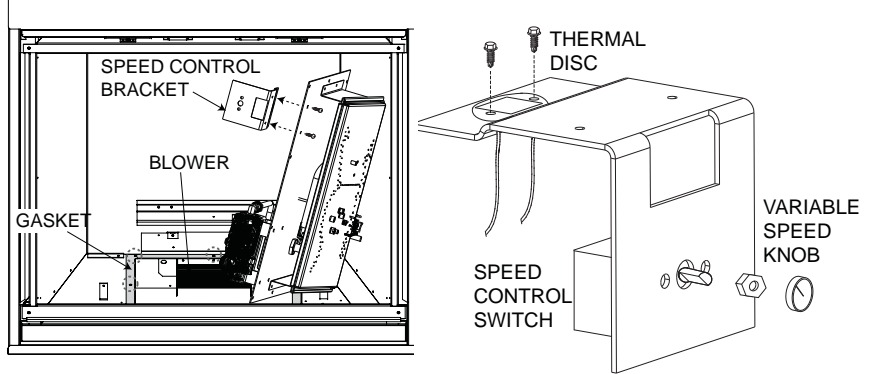
NOTE: If optional brick panels have been installed, they will need to be removed prior to proceeding.

- A. Remove the control access panel.
- B. Remove the door, see the section "DOOR REMOVAL / INSTALLATION".
- C. Carefully remove the log set and optional brick panels if installed, see section "LOG PLACEMENT".
- D. Remove the 2 screws holding the front grate in place.
- E. Remove the 2 screws holding the rear log support.
- F. Remove the 9 perimeter screws as illustrated and lift out the burner base assembly and gasket. (The gas line flex-connector should provide sufficient movement to permit shifting the burner assembly on it's side).



7.2 INSTALLING THE BLOWER

- A. Open the blower kit and remove the thermal disc from the bracket. Remove the speed control bracket from the burner base assembly, install the thermal disc and speed control switch onto the speed control bracket and reattach to the burner base.
- B. Reverse procedure to re-assemble.



INSTALLATION TO BE DONE BY A QUALIFIED INSTALLER and must be electrically connected and grounded in accordance with local codes. In the absence of local codes, use the current CSA C22.1 Canadian electrical code in Canada or the ANSI / NFPA 70 national electrical code in the United States.

Drywall dust will penetrate into the blower bearings, causing irreparable damage. Care must be taken to prevent drywall dust from coming into contact with the blower or its compartment. Any damage resulting from this condition is not covered by the warranty policy. To safely install the fan, turn off the electricity first.

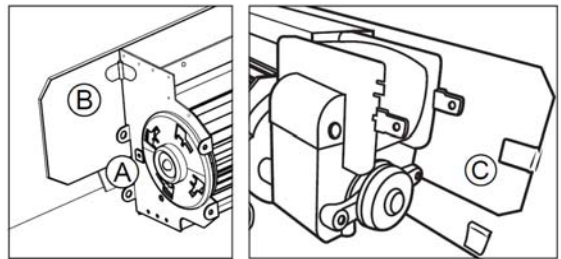
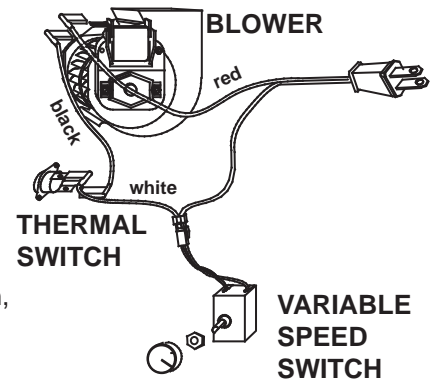
Slide the vibration reducing pad **(A)** into the clip **(C)** and up against the threaded stud **(B)** at the other end. The blower must be able to be positioned entirely onto the pad.

Attach the connectors from the black and white wires to the thermal disc.

Attach the connectors from the black and red wires to the blower.

Plug the harness cord into the receptacle.

Because the blower is thermally activated, when turned on, it will automatically start approximately 10 minutes after lighting the fireplace and will run for approximately 30-45 minutes after the fireplace has been turned off. Use of the fan increases the output of heat.



8.0 WIRING DIAGRAM / ELECTRICAL INFORMATION

! WARNING

DO NOT USE THIS APPLIANCE IF ANY PART HAS BEEN UNDER WATER. CALL A QUALIFIED SERVICE TECHNICIAN IMMEDIATELY TO HAVE THE APPLIANCE INSPECTED FOR DAMAGE TO THE ELECTRICAL CIRCUIT.

RISK OF ELECTRICAL SHOCK OR EXPLOSION. DO NOT WIRE 110V TO THE VALVE OR TO THE APPLIANCE WALL SWITCH. INCORRECT WIRING WILL DAMAGE CONTROLS.

ALL WIRING SHOULD BE DONE BY A QUALIFIED ELECTRICIAN AND SHALL BE IN COMPLIANCE WITH LOCAL CODES. IN THE ABSENCE OF LOCAL CODES, USE THE CURRENT CSA22.1 CANADIAN ELECTRIC CODE IN CANADA OR THE CURRENT NATIONAL ELECTRIC CODE ANSI/NFPA NO. 70 IN THE UNITED STATES.

ALWAYS LIGHT THE PILOT WHETHER FOR THE FIRST TIME OR IF THE GAS SUPPLY HAS RUN OUT, WITH THE GLASS DOOR OPENED OR REMOVED.

69.2_2

8.1 WIRING REQUIREMENTS

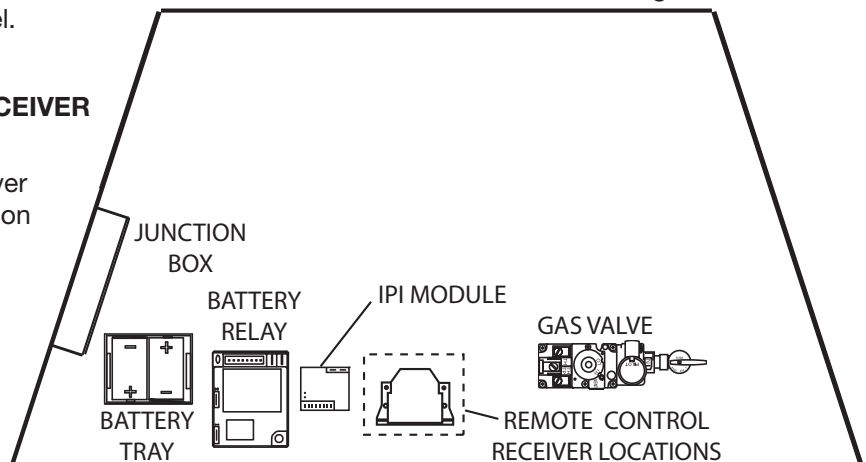
- A. This appliance must be electrically connected and grounded in accordance with local codes. In the absence of local codes, use the current CSA C22.1 CANADIAN ELECTRICAL CODE in Canada or the ANSI/NFPA 70-1996 NATIONAL ELECTRICAL CODE in the United States.
- B. Low voltage and 110 VAC voltage cannot be shared within the same wall box.
- C. Wire the appliance junction box to 110 VAC for proper operation of the appliance.
- D. Refer to "WIRING DIAGRAM" section.
- E. This appliance is equipped with an electronic control valve which operates on a 3 volt system.
- F. Plug the 3 volt AC transformer into the appliance junction box to supply power to the appliance and install two "D" cell batteries (not included) into the battery tray before use (only required if the appliance is to operate during a power failure).

8.2 OPTIONAL ACCESSORIES REQUIREMENTS

- A. This appliance may be used with a wall switch and/or a remote control
- B. Wiring for optional Wolf Steel approved accessories should be done now to avoid reconstruction. Follow instructions that come with those accessories.
- C. The Battery Tray, IPI Control Module, and Remote Control Receiver can be accessed through the air space between the firebox front and the lower-front finishing cover panel.
- D. The Battery Tray, IPI Control Module, Remote Control Receiver must be secured using Velcro to the inside of the lower cover panel.

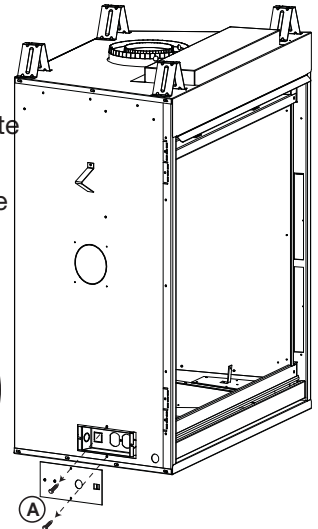
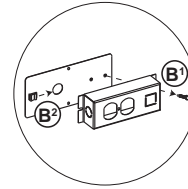
OPTIONAL REMOTE CONTROL RECEIVER LOCATION

- E. Optional remote control receiver locations as shown in illustration below.



8.3 JUNCTION BOX INSTALLATION

- A. Remove the two screws that secure the junction box assembly to the outer shell on the left side of the fire place and remove the junction box assembly.
- B. Remove the one screw that secures the junction box to the junction box plate and slide off the clip.
- C. Route the supply wire through the 7/8" (22mm) hole of the junction box plate with a box connector (not supplied).
- D. Connect the 120 volt supply wire to the receptacle as per the CSA C22.1 Canadian Electrical Code in Canada or the ANSI/NFPA 70-1996 National Electrical Code in the United States.
- E. Once the wiring is complete, re-install the junction box to the junction box plate and re-secure the screw that was removed in step B.
- F. Re-install the junction box assembly by reversing step A making sure all plugs are secure in the junction box.



NOTE: If the appliance is already installed inside the enclosure, you can access the junction box from inside the appliance by removing the burner base assembly, see “ACCESSING THE BLOWER” section.

8.4 WIRING DIAGRAM

! WARNING

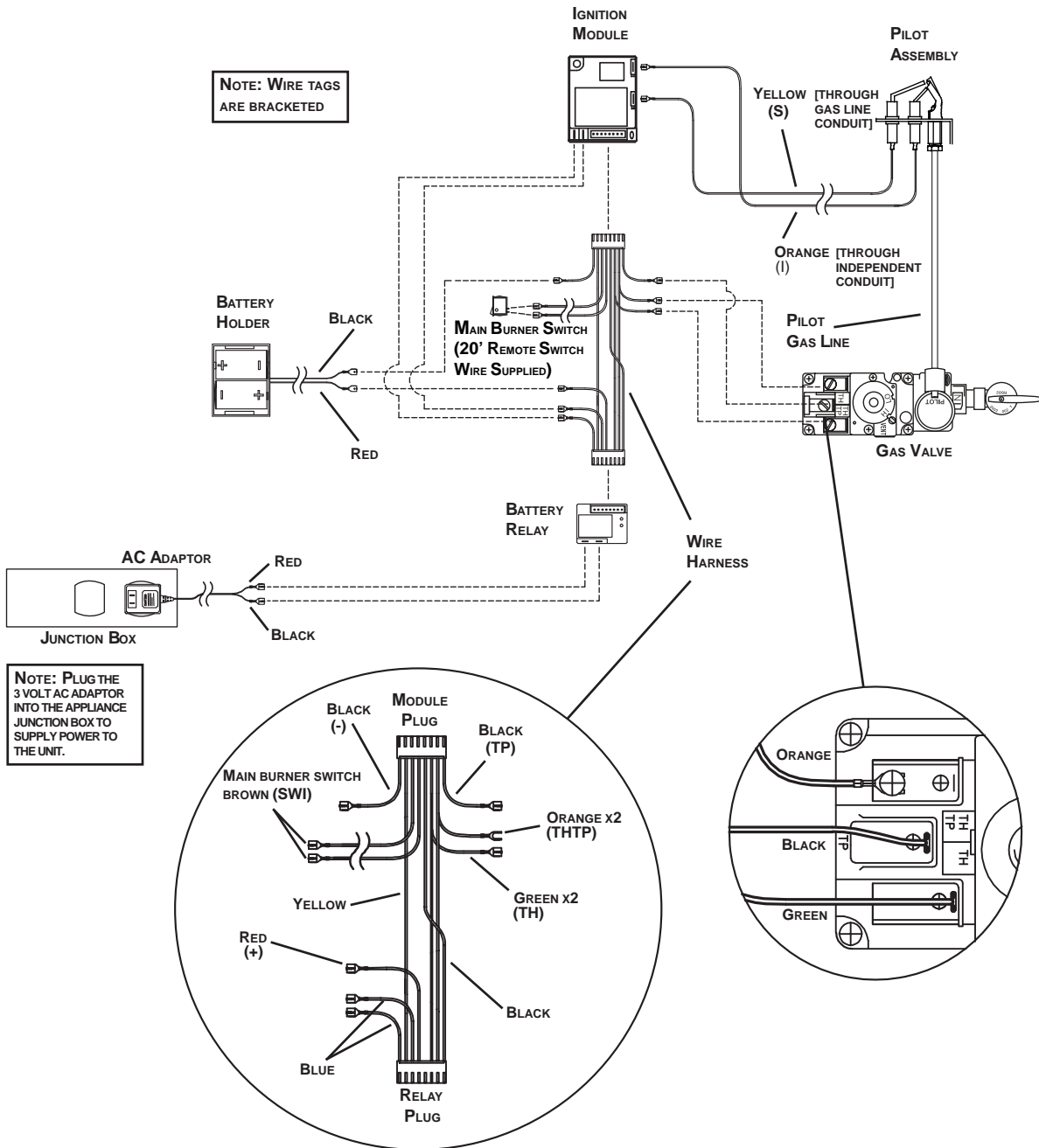
DO NOT WIRE 100 VOLTS TO THE VALVE OR WALL SWITCH.

EN

A wall switch must be installed in a convenient location for the burner operation. The recommended maximum lead length depends on the wire size:

WIRE SIZE	MAX. LENGTH
14 gauge	100 feet (30m)
16 gauge	60 feet (18m)
18 gauge	40 feet (12m)

A 20' (6m) length of wire is connected to the main burner switch leads. Connect this wire to the wall switch. However if a greater length is required route 2-strand (solid core) wire through the electrical hole located at the bottom left side of the appliance.



9.0 OPERATION

! WARNING

IF YOU DO NOT FOLLOW THESE INSTRUCTIONS EXACTLY, A FIRE OR EXPLOSION MAY RESULT CAUSING PROPERTY DAMAGE, PERSONAL INJURY OR LOSS OF LIFE.

ALWAYS LIGHT THE PILOT WHETHER FOR THE FIRST TIME OR IF THE GAS SUPPLY HAS RUN OUT WITH THE GLASS DOOR OPENED OR REMOVED.

Ensure that a continuous gas flow is at the burner before installing the door. When lit for the first time, the appliance will emit an odor for a few hours, in larger units, this might take longer depending on the size. This is a normal temporary condition caused by the "burn-in" of paints and lubricants used in the manufacturing process and will not occur again. After extended periods of non-operation such as following a vacation or a warm weather season, the appliance may emit a slight odor for a few hours. This is caused by dust particles in the heat exchanger burning off. In both cases, open a window to sufficiently ventilate the room.

FOR YOUR SAFETY READ BEFORE LIGHTING:

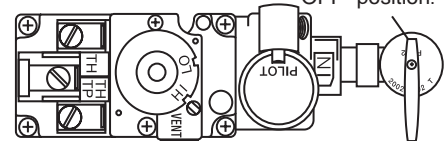
- A. This appliance is equipped with an ignition device which automatically lights the pilot. Do not try to light by hand.
- B. Before operating smell all around the appliance area for gas and next to the floor because some gas is heavier than air and will settle on the floor.
- C. Use only your hand to turn the gas control knob. Never use tools. If the knob will not turn by hand, do not try to repair it. Call a qualified service technician. Force or attempted repair may result in a fire or explosion.
- D. Do not use this appliance if any part has been under water. Immediately call a qualified service technician to inspect the appliance and replace any part of the control system and any gas control which has been under water.

WHAT TO DO IF YOU SMELL GAS:

- Turn off all gas to the appliance.
- Open windows.
- Do not try to light any appliance.
- Do not touch any electric switch; do not use any phone in your building.
- Immediately call your gas supplier from a neighbor's phone. Follow the gas supplier's instructions.
- If you cannot reach your gas supplier, call the fire department.

LIGHTING INSTRUCTIONS:

1. Stop! Read the above safety information on this label.
2. Turn remote wall switch to off position.
3. Turn off all electrical power to the appliance and remove batteries.
4. This appliance is equipped with an ignition device which automatically lights the pilot. Do not try to light the pilot by hand.
5. Turn manual shutoff valve clockwise to off.
6. Open the glass door.
7. Wait five (5) minutes to clear out any gas. If you smell gas including near the floor, STOP! Follow "B" in the above safety information on this label. If you don't smell gas go to the next step.
8. Close the glass door.
9. Turn manual shutoff valve counter-clockwise to on.
10. Turn on all electrical power to the appliance and re-install batteries.
11. Turn on remote wall switch to on position.
12. If appliance will not operate, follow instructions "TO TURN OFF GAS" and call your service technician or gas supplier.



TO TURN OFF GAS

1. Turn off remote wall switch to the appliance.
2. Turn off all electrical power to the appliance if service is to be performed.
3. Turn manual shutoff valve clockwise to off. Do not force.

47.6A

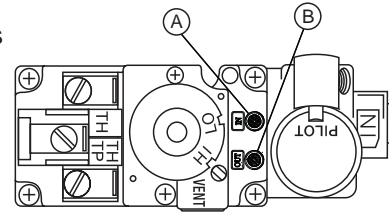
10.0 ADJUSTMENT

10.1 PRESSURE ADJUSTMENT

Check Pressure Readings:

Inlet pressure can be checked by turning screw (A) counter-clockwise 2 or 3 turns and then placing pressure gauge tubing over the test point. Gauge should read as described on the chart below. Check with main burner operating on "HI".

Outlet pressure can be checked the same as above using screw (B). Gauge should read as described on the chart below. Check with main burner operating on "HI".



AFTER TAKING PRESSURE READINGS, BE SURE TO TURN SCREWS CLOCKWISE FIRMLY TO RESEAL. DO NOT OVERTORQUE.

Leak test with a soap and water solution.

Prior to pilot adjustment, ensure that the pilot assembly has not been painted. If overspray or painting of the pilot assembly has occurred

remove the paint from the pilot assembly, or replace. Fine emery cloth or synthetic scrub pad (Scotch-brite) can be used to remove the paint from the pilot hood, electrode and flame sensor.

Pressure	Natural Gas (inches)	Natural Gas (millibars)	Propane (inches)	Propane (millibars)
Inlet	7" (MIN. 4.5")	17.4mb (MIN. 11.2mb)	13" (MIN. 11")	32.4mb (MIN. 27.4mb)
Outlet	3.5"	8.7mb	10"	24.9mb

*Maximum inlet pressure not to exceed 13".

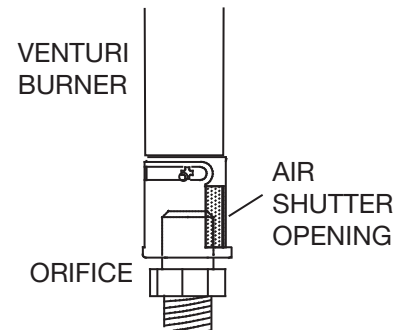
39.5C

10.2 VENTURI ADJUSTMENT

This appliance has an air shutter that has been factory set open according to the chart below:

Regardless of venturi orientation, closing the air shutter will cause a more yellow flame, but can lead to carbonization. Opening the air shutter will cause a more blue flame, but can cause flame lifting from the burner ports. The flame may not appear yellow immediately; allow 15 to 30 minutes for the final flame colour to be established.

AIR SHUTTER ADJUSTMENT MUST ONLY BE DONE BY A QUALIFIED INSTALLER!



49.1

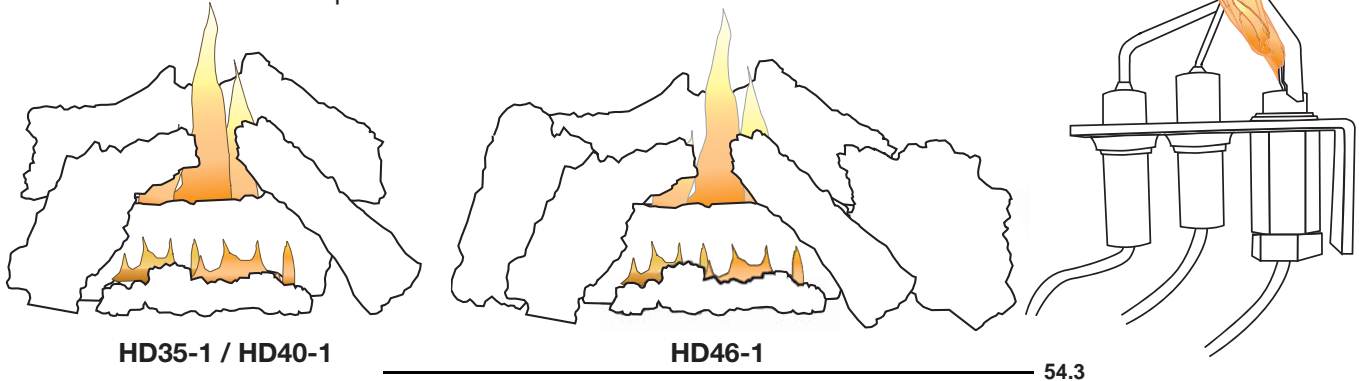
To access the air shutter, remove the control access panel, remove the glass door assembly and carefully remove the log set. Remove the four screws attached to the burner pan. Slide the burner pan to the left roughly 1" (25mm) then lift up.

Air shutters have been factory set open according to the Venturi Adjustment Chart. These settings are for (maximum) horizontal termination. Adjustment may be required depending on fuel type, vent configuration and altitude.

VENTURI ADJUSTMENT CHART			
FUEL	HD35-1	HD40-1	HD46-1
NG	1/8" (3mm)	1/8" (3mm)	1/8" (3mm)
LP	3/8" (10mm)	7/16" (11mm)	7/16" (11mm)

10.3 FLAME CHARACTERISTICS

It's important to periodically perform a visual check of the pilot and burner flames. Compare them to the illustrations provided. If any flames appear abnormal call a service person.



11.0 MAINTENANCE

! WARNING

TURN OFF THE GAS AND ELECTRICAL POWER BEFORE SERVICING THE APPLIANCE.

APPLIANCE MAY BE HOT, DO NOT SERVICE UNTIL APPLIANCE HAS COOLED.

DO NOT USE ABRASIVE CLEANERS.

DO NOT PAINT THE PILOT ASSEMBLY.

This appliance and its venting system should be inspected before use and at least annually by a qualified service person. The following suggested checks should be performed by a qualified technician. The appliance area must be kept clear and free of combustible materials, gasoline or other flammable vapors and liquids. The flow of combustion and ventilation air must not be obstructed.

CAUTION: Label all wires prior to disconnection when servicing controls. Wiring errors can cause improper and dangerous operation. Verify proper operation after servicing.

- A. In order to properly clean the burner and pilot assembly, remove the logs, rocks and/or glass to expose both assemblies.
- B. Keep the control compartment, media, burner, air shutter opening and the area surrounding the logs clean by vacuuming or brushing, at least once a year.
- C. Check to see that all burner ports are burning. Clean out any of the ports which may not be burning or are not burning properly.
- D. Check to see that the pilot flame is large enough to engulf the flame sensor and/or thermocouple / thermopile as well as reaches the burner.
- E. Replace the cleaned logs, rocks or glass. Failure to properly position the media may cause carbon which can be distributed inside of firebox and on exterior surfaces surrounding vent termination.
- F. Check to see that the main burner ignites completely on all openings when turned on. A 5 to 10 second total light-up period is satisfactory. Service as required.
- G. Check that the gasketing on the sides, top and bottom of the door is not broken or missing. Replace if necessary.
- H. If for any reason the vent air intake system is disassembled, re-install and re-seal per the instructions provided for the initial installation.
- I. Cleaning the safety barrier may be necessary due to excessive lint / dust from carpeting, pets, etc. simply vacuum using the brush attachment.
- J. Ensure the relief system performs effectively. Check that the gasket is not worn or damaged. Replace if necessary.

11.1 ANNUAL MAINTENANCE

WARNING

THE FIREBOX BECOMES VERY HOT DURING OPERATION. LET THE APPLIANCE COOL COMPLETELY OR WEAR HEAT RESISTANT GLOVES BEFORE CONDUCTING SERVICE.

NEVER VACUUM HOT EMBERS.

DO NOT PAINT THE PILOT ASSEMBLY.

- This appliance will require maintenance which should be planned on an annual basis.
- Service should include cleaning, battery replacement, venting inspection and inspection of the burner, media and firebox. Refer to the door removal section and remove the door as instructed.
- Carefully remove media if necessary (logs, glass, brick panels etc).
- Using a vacuum with a soft brush attachment, gently remove any dirt, debris or carbon build up from the logs, firebox and burner. For glass media, follow the installation instructions for pre-cleaning.
- Also gently remove any build-up on the pilot assembly including, if equipped; thermopile, thermocouple, flame sensor and igniter. **NOTE: Clean flame sensor using a fine emery cloth or a synthetic scrub pad (such as Scotch-Brite™) to remove any oxides. Clean the pilot assembly using a vacuum with a soft brush attachment. It is important that the pilot assembly is not painted.**
- Inspect all accessible gaskets and replace as required.
- Access the blower, if equipped and clean using a soft brush and vacuum.
- Re-assemble the various components in reverse order.
- Inspect the relief system. The appliance relieves through the main glass door or through the flaps on the firebox top. Ensure they open freely, and close sealed.
- Check the gas control valve pilot and Hi / Lo knobs move freely (if equipped) – replace if any stiffness in movement is experienced.
- Check for gas leaks on all gas connections up and downstream from the gas valve including the pilot tube connections.

37.1E

11.2 DOOR GLASS REPLACEMENT

! WARNING
DO NOT USE SUBSTITUTE MATERIALS.
GLASS MAY BE HOT, DO NOT TOUCH GLASS UNTIL COOLED.
CARE MUST BE TAKEN WHEN REMOVING AND DISPOSING OF ANY BROKEN DOOR GLASS OR DAMAGED COMPONENTS. BE SURE TO VACUUM UP ANY BROKEN GLASS FROM INSIDE THE APPLIANCE BEFORE OPERATION.
DO NOT STRIKE, SLAM OR SCRATCH GLASS. DO NOT OPERATE APPLIANCE WITH GLASS REMOVED, CRACKED, BROKEN OR SCRATCHED.

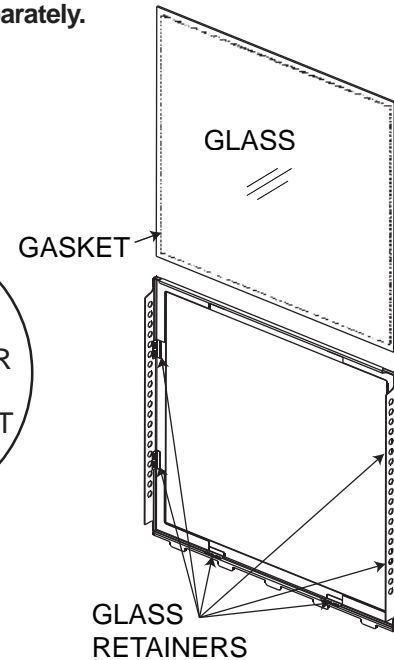
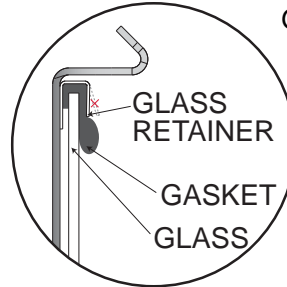
56.2

Only available as an assembly complete with gasket. Glass not available separately.

- A. Place the door frame down careful not to scratch the paint.
- B. Bend up the glass retainers being careful not to snap them.
- C. Remove the glass from the frame.

NOTE: Care must be taken when removing and disposing of any broken glass or damaged components. Be sure to vacuum up any broken glass from inside the appliance before operation.

- D. Center the gasketed glass inside the door frame with the thick side of the gasket facing up.
- E. Bend the glass retainers located along the edge of the door frame over the gasket holding the glass in place making sure that the thick portion is protruding past the retainer. Careful not to break the glass.



11.3 CARE OF GLASS

DO NOT CLEAN GLASS WHEN HOT! DO NOT USE ABRASIVE CLEANERS TO CLEAN GLASS.

Buff lightly with a clean dry soft cloth. Clean both sides of the glass after the first 10 hours of operation with a recommended fireplace glass cleaner. Do not use an ammonia-based fireplace glass cleaner. Thereafter clean as required. If the glass is not kept clean permanent discoloration and / or blemishes may result.

! WARNING	
	HOT GLASS WILL CAUSE BURNS.
	DO NOT TOUCH GLASS UNTIL COOLED.
	NEVER ALLOW CHILDREN TO TOUCH GLASS.

5.1A

This appliance is factory equipped with 4mm tempered glass. Use only replacement glass available from your Napoleon® dealer. **DO NOT SUBSTITUTE MATERIALS.**

5.5

11.4 CARE OF PLATED PARTS

If the appliance is equipped with plated parts, you must clean fingerprints or other marks from the plated surfaces before operating the appliance for the first time. Use a glass cleaner or vinegar and towel to clean. If not cleaned properly before operating for the first time, the marks can cause permanent blemishes on the plating. After the plating is cured, the fingerprints and oils will not affect the finish and little maintenance is required, just wipe clean as needed. Prolonged high temperature burning with the door ajar may cause discoloration on plated parts.

NOTE: The protective wrap on plated parts is best removed when the assembly is at room temperature but this can be improved if the assembly is warmed, using a hair dryer or similar heat source.

6.1

12.0 REPLACEMENT PARTS

WARNING

FAILURE TO POSITION THE PARTS IN ACCORDANCE WITH THIS MANUAL OR FAILURE TO USE ONLY PARTS SPECIFICALLY APPROVED WITH THIS APPLIANCE MAY RESULT IN PROPERTY DAMAGE OR PERSONAL INJURY.

Contact your dealer for questions concerning prices and policies on replacement parts. Normally, all parts can be ordered through your Authorized dealer / distributor.

FOR WARRANTY REPLACEMENT PARTS, A PHOTOCOPY OF THE ORIGINAL INVOICE WILL BE REQUIRED TO HONOUR THE CLAIM.

When ordering replacement parts always give the following information:

- Model & Serial Number of appliance
- Installation date of appliance
- Part number
- Description of part
- Finish

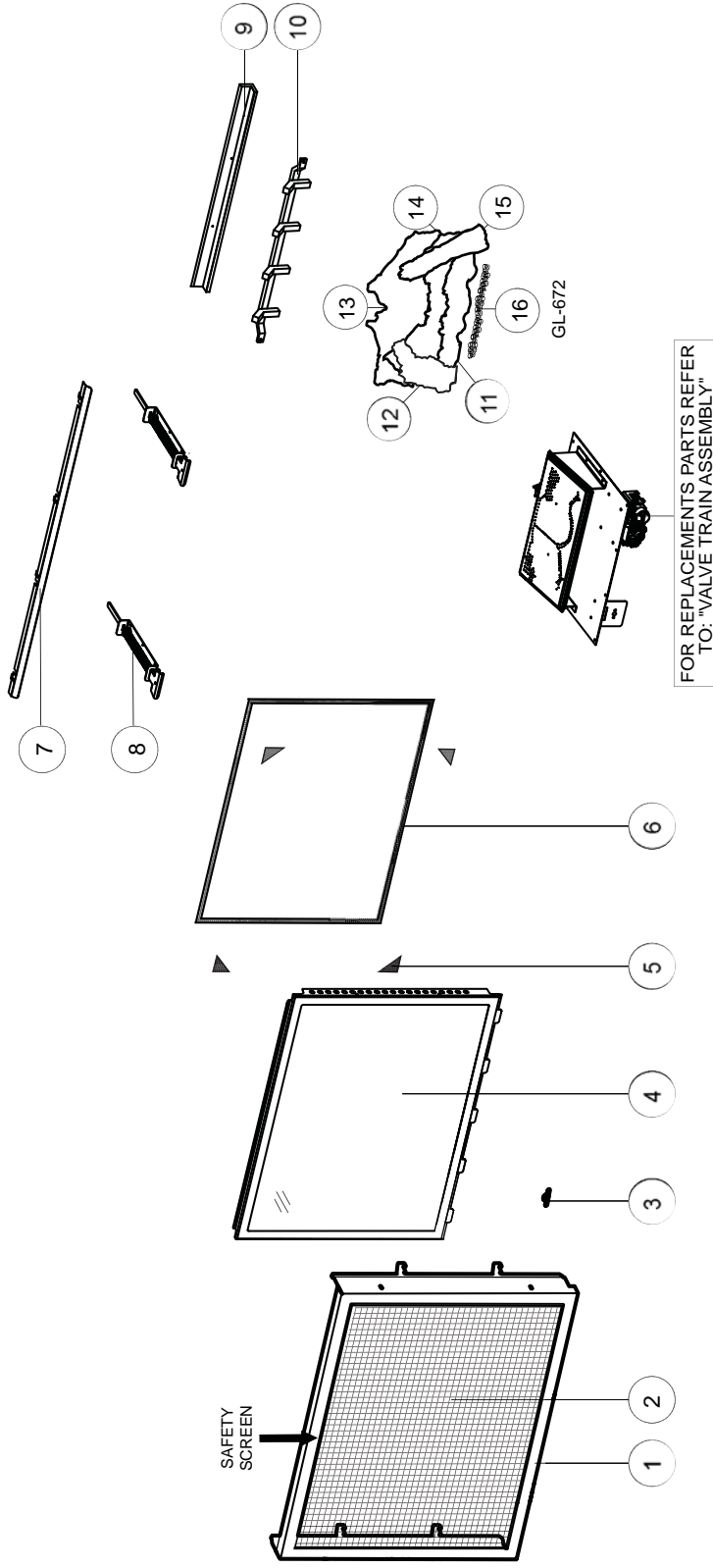
PARTS, PART NUMBERS AND AVAILABILITY ARE SUBJECT TO CHANGE WITHOUT NOTICE.

PARTS IDENTIFIED AS STOCKED WILL BE DELIVERED WITHIN 2 TO 5 BUSINESS DAYS FOR MOST DELIVERY DESTINATIONS.

PARTS NOT IDENTIFIED AS STOCKED WILL BE DELIVERED WITHIN A 2 TO 4 WEEK PERIOD.

41.1B

12.1 HD35-1 OVERVIEW

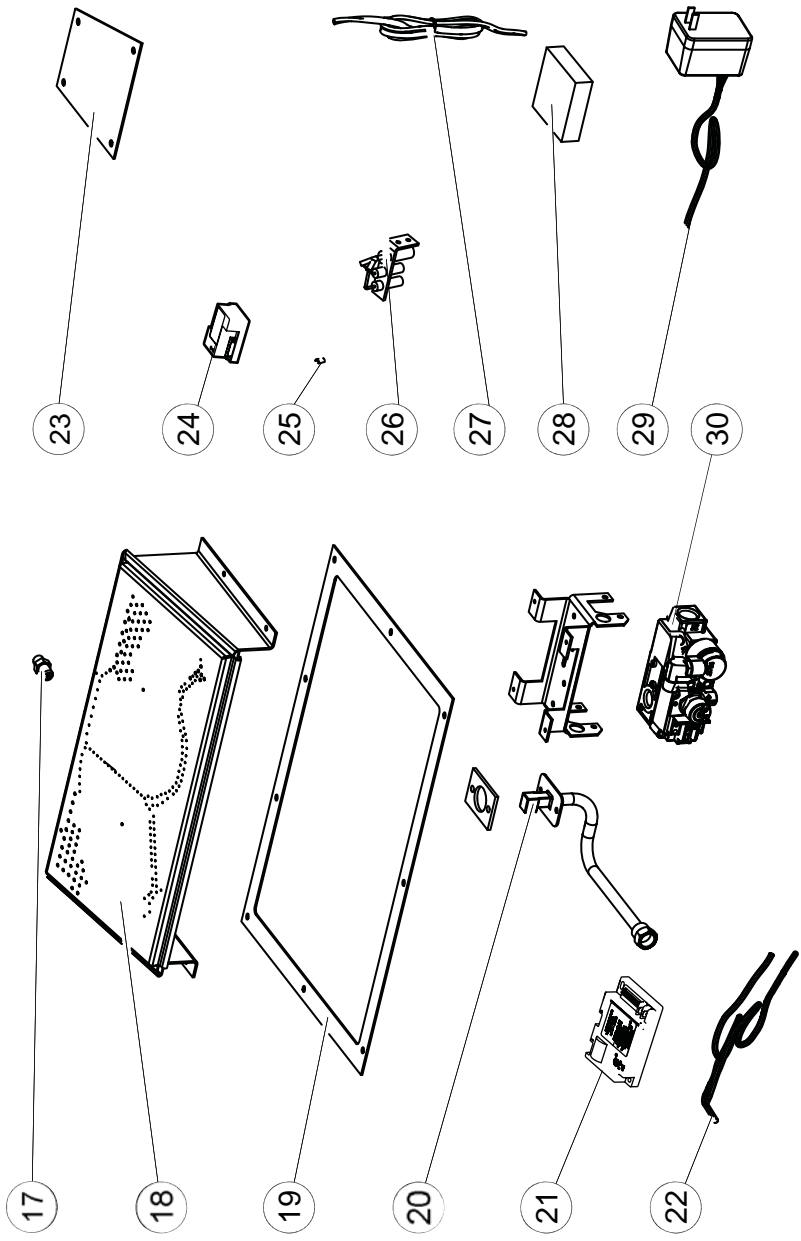


ITEMS MAY NOT APPEAR EXACTLY AS ILLUSTRATED

REF. NO.	PART NUMBER	DESCRIPTION	STOCKED
1	W010-3641	SAFETY BARRIER ASSEMBLY	
2	W565-0211-SER	SAFETY SCREEN	YES
3	W385-2010	NAPOLEON LOGO	YES
4	W010-2123	DOOR ASSEMBLY	
5	W667-0018	GASKET TAPE (X4)	YES
6	W562-0060	DOOR GASKET	YES
7	W335-0051	HOOD	
8	W010-3293	DOOR LATCHES (X2)	

REF. NO.	PART NUMBER	DESCRIPTION	STOCKED
9	W655-0454	LOG STIFFNER (GL-672)	
10	W185-0020	CAST GRATE	
11	W135-0408	CHARCOAL LOG STRIP (GL-672)	YES
12	W135-0406	LEFT SIDE LOG (GL-672)	YES
13	W135-0339	REAR LOG (GL-672)	YES
14	W135-0409	MIDDLE LOG (GL-672)	YES
15	W135-0407	RIGHT SIDE LOG (GL-672)	YES
16	W361-0016	GLOWING EMBERS (GL-672)	YES

12.2 HD35-1 VALVE TRAIN ASSEMBLY

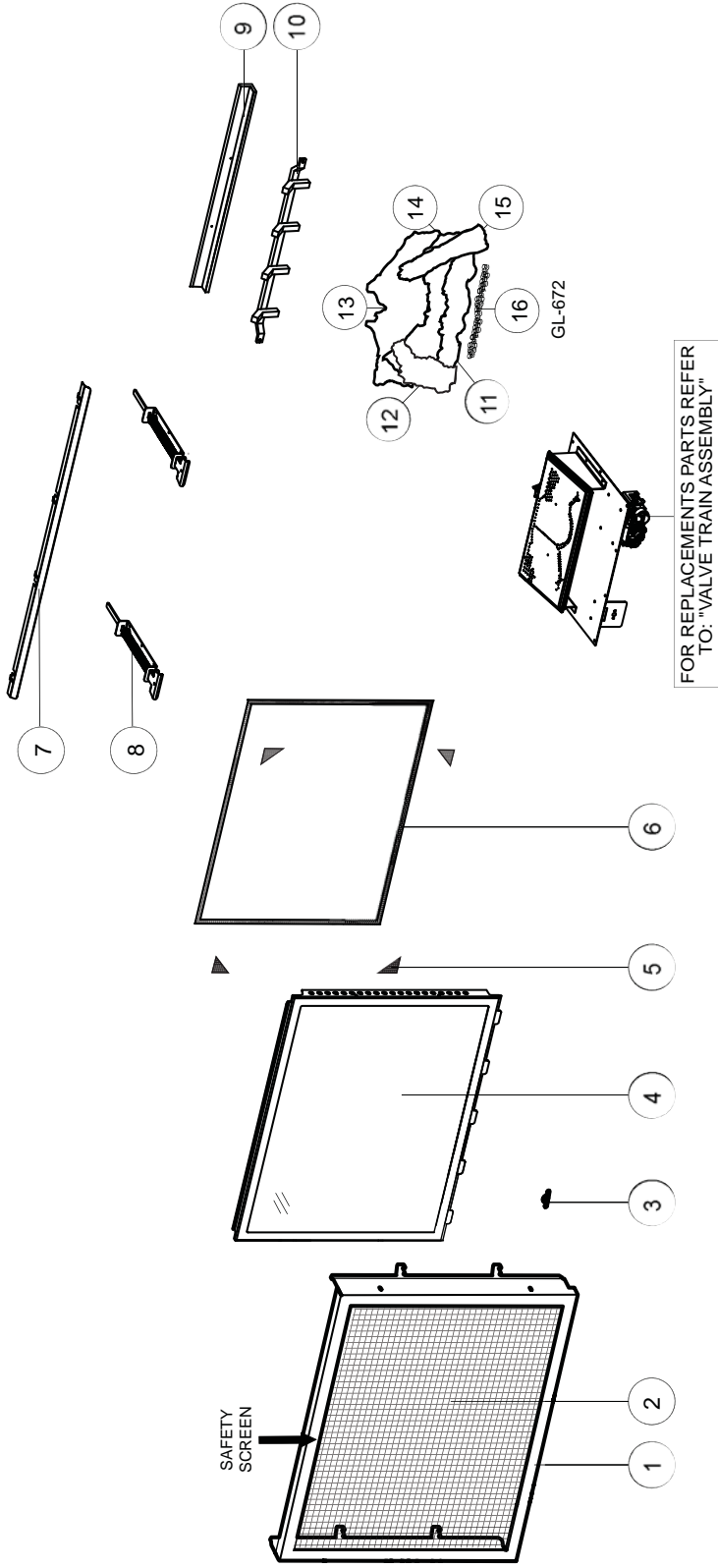


ITEMS MAY NOT APPEAR EXACTLY AS ILLUSTRATED

REF NO.	PART NUMBER	DESCRIPTION	STOCKED
17	W456-0042	BURNER ORIFICE #42 (NG)	YES
17	W456-0054	BURNER ORIFICE #54 (LP)	YES
18	W010-2312	BURNER ASSEMBLY	YES
19	W290-0139	VALVE TRAIN GASKET	YES
20	W432-0103	FLEX MANIFOLD	YES
21	W190-0022	CONTROL MODULE	YES
22	W750-0250	WIRE HARNESS	YES
23	W290-0140	ACCESS GASKET	YES
24	W190-0044	BATTERY RELAY	YES

REF NO.	PART NUMBER	DESCRIPTION	STOCKED
25	W455-0049	PILOT ORIFICE (NG)	YES
25	W455-0071	PILOT ORIFICE (LP)	YES
26	W100-0069	PILOT ASSEMBLY (NG)	YES
26	W100-0093	PILOT ASSEMBLY (LP)	
27	W750-0193	ON / OFF WIRING HARNESS	
28	W350-0342	BATTERY HOUSING	YES
29	W707-0002	TRANSFORMER (3V)	YES
30	W725-0032	VALVE (NG)	
30	W725-0049	VALVE (LP)	

12.3 HD40-1 OVERVIEW

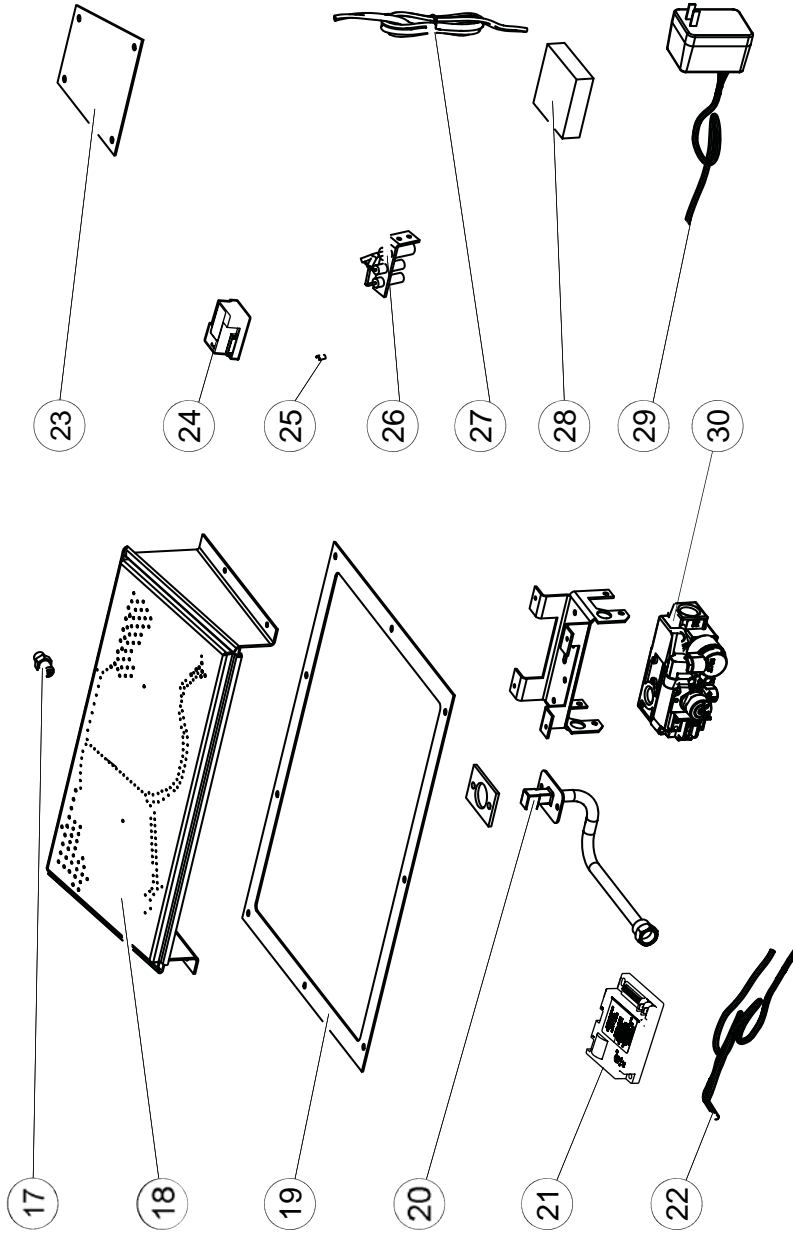


ITEMS MAY NOT APPEAR EXACTLY AS ILLUSTRATED

REF. NO.	PART NUMBER	DESCRIPTION	STOCKED
1	W010-3718	SAFETY BARRIER ASSEMBLY	YES
2	W565-0219-SER	SAFETY SCREEN	YES
3	W385-2010	NAPOLEON LOGO	YES
4	W010-1856	DOOR ASSEMBLY	YES
5	W667-0018	GASKET TAPE (X4)	YES
6	W562-0060	DOOR GASKET	YES
7	W335-0052	HOOD	YES
8	W010-3293	DOOR LATCHES (X2)	YES

REF. NO.	PART NUMBER	DESCRIPTION	STOCKED
9	W655-0454	LOG STIFFNER (GL-672)	YES
10	W185-0020	CAST GRATE	YES
11	W135-0408	CHARCOAL LOG STRIP (GL-672)	YES
12	W135-0406	LEFT SIDE LOG (GL-672)	YES
13	W135-0339	REAR LOG (GL-672)	YES
14	W135-0409	MIDDLE LOG (GL-672)	YES
15	W135-0407	RIGHT SIDE LOG (GL-672)	YES
16	W361-0016	GLOWING EMBERS (GL-672)	YES

12.4 HD40-1 VALVE TRAIN ASSEMBLY

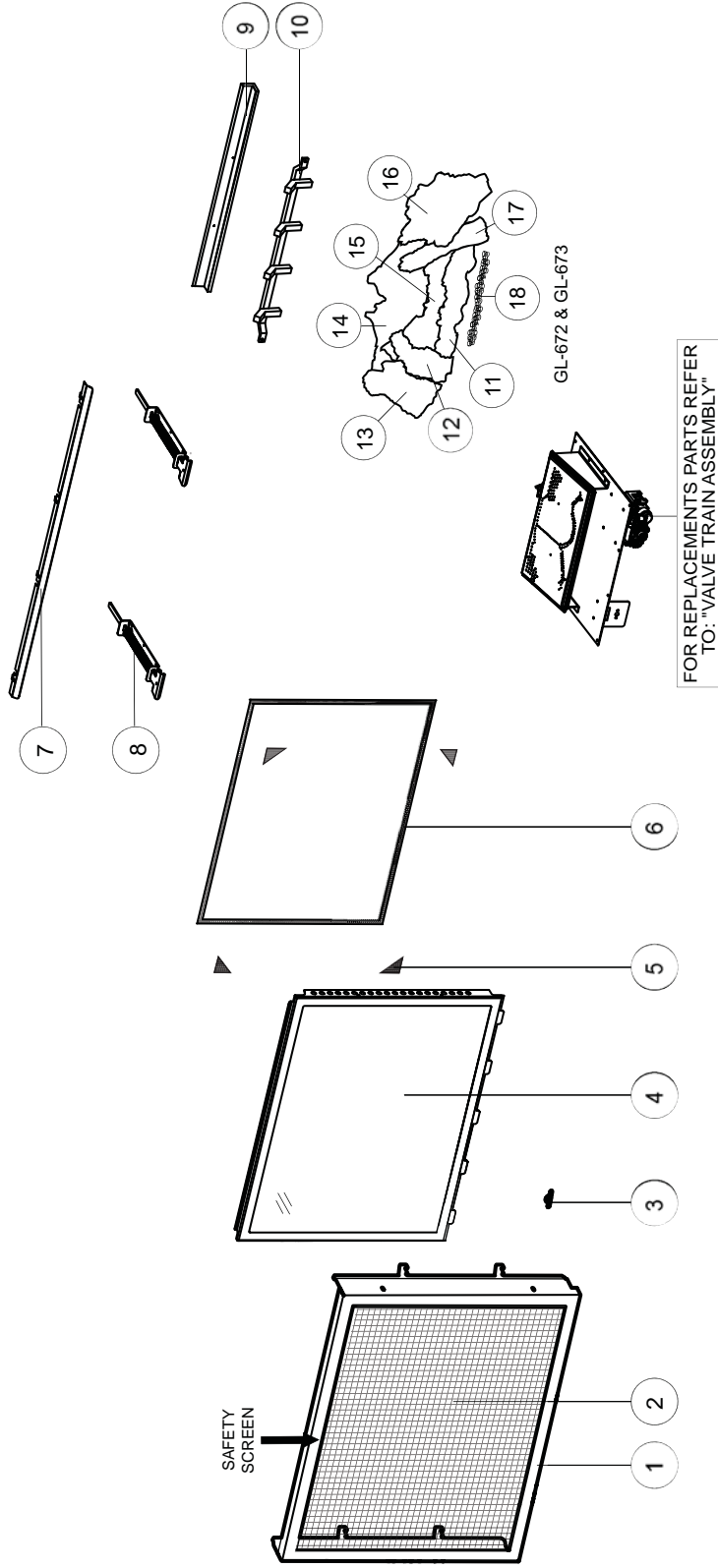


ITEMS MAY NOT APPEAR EXACTLY AS ILLUSTRATED

REF NO.	PART NUMBER	DESCRIPTION	STOCKED
17	W456-0037	BURNER ORIFICE #38 (NG)	YES
17	W456-0052	BURNER ORIFICE #53 (LP)	YES
18	W010-2312	BURNER ASSEMBLY	YES
19	W290-0139	VALVE TRAIN GASKET	YES
20	W432-0103	FLEX MANIFOLD	YES
21	W190-0022	CONTROL MODULE	YES
22	W750-0250	WIRE HARNESS	YES
23	W290-0140	ACCESS GASKET	YES
24	W190-0044	BATTERY RELAY	YES

REF NO.	PART NUMBER	DESCRIPTION	STOCKED
25	W455-0049	PILOT ORIFICE (NG)	YES
25	W455-0071	PILOT ORIFICE (LP)	YES
26	W100-0069	PILOT ASSEMBLY (NG)	YES
26	W100-0093	PILOT ASSEMBLY (LP)	
27	W750-0193	ON / OFF WIRING HARNESS	
28	W350-0342	BATTERY HOUSING	YES
29	W707-0002	TRANSFORMER (3V)	YES
30	W725-0032	VALVE (NG)	
30	W725-0049	VALVE (LP)	

12.5 HD46-1 OVERVIEW

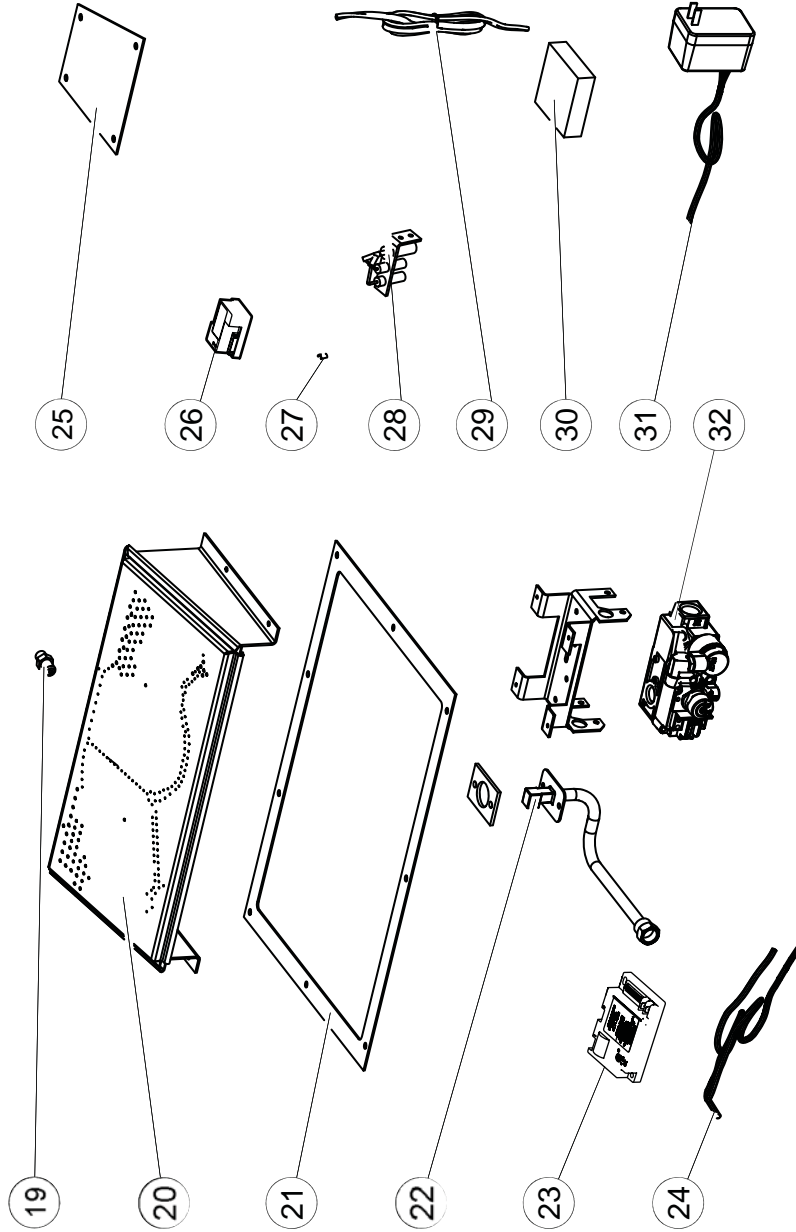


ITEMS MAY NOT APPEAR EXACTLY AS ILLUSTRATED

REF. NO.	PART NUMBER	DESCRIPTION	STOCKED
10	W185-0020	CAST GRATE	
11	W135-0408	CHARCOAL LOG STRIP (GL-672)	YES
12	W135-0406	LEFT SIDE LOG (GL-672)	YES
13	W135-0392	OUTER LEFT SIDE LOG (GL-673)	YES
14	W135-0339	REAR LOG (GL-672)	YES
15	W135-0409	MIDDLE LOG (GL-672)	YES
16	W135-0393	OUTER RIGHT SIDE LOG (GL-673)	YES
17	W135-0407	RIGHT SIDE LOG (GL-672)	YES
18	W361-0016	GLOWING EMBERS (GL-672)	YES

REF. NO.	PART NUMBER	DESCRIPTION	STOCKED
1	W010-3795	SAFETY BARRIER ASSEMBLY	
2	W565-0223-SER	SAFETY SCREEN	YES
3	W385-2010	NAPOLEON LOGO	YES
4	W010-1857	DOOR ASSEMBLY	
5	W667-0018	GASKET TAPE (X4)	YES
6	W562-0060	DOOR GASKET	YES
7	W335-0052	HOOD	
8	W010-3293	DOOR LATCHES (X2)	
9	W655-0454	LOG STIFFNER (GL-672)	

12.6 HD46-1 VALVE TRAIN ASSEMBLY

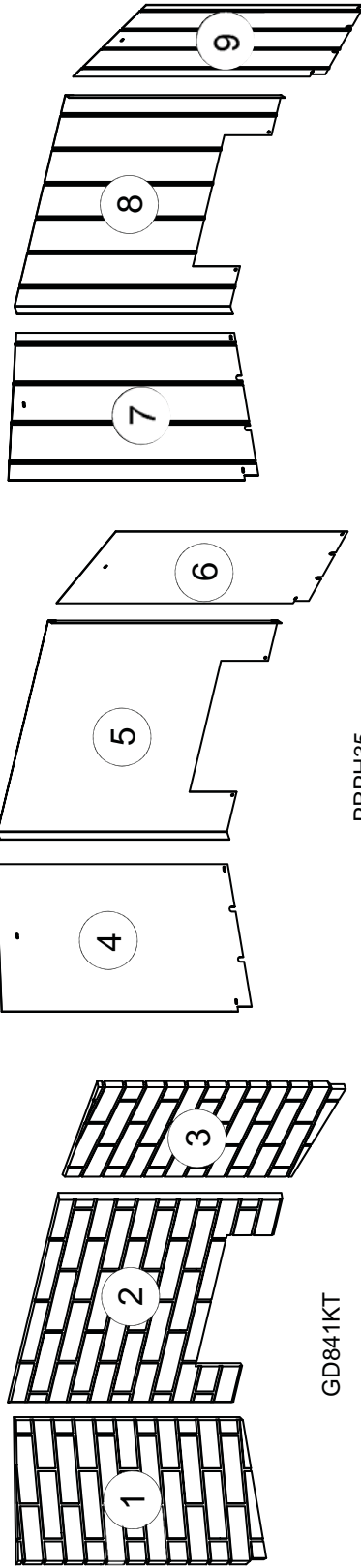


ITEMS MAY NOT APPEAR EXACTLY AS ILLUSTRATED

REF NO.	PART NUMBER	DESCRIPTION	STOCKED
19	W456-0042	BURNER ORIFICE #42 (NG)	YES
19	W456-0054	BURNER ORIFICE #54 (LP)	YES
20	W010-2312	BURNER ASSEMBLY	YES
21	W290-0139	VALVE TRAIN GASKET	YES
22	W432-0103	FLEX MANIFOLD	YES
23	W190-0022	CONTROL MODULE	YES
24	W750-0250	WIRE HARNESS	YES
25	W290-0140	ACCESS GASKET	YES
26	W190-0044	BATTERY RELAY	YES

REF NO.	PART NUMBER	DESCRIPTION	STOCKED
27	W455-0049	PILOT ORIFICE (NG)	YES
27	W455-0071	PILOT ORIFICE (LP)	YES
28	W100-0069	PILOT ASSEMBLY (NG)	YES
28	W100-0093	PILOT ASSEMBLY (LP)	
29	W750-0193	ON / OFF WIRING HARNESS	
30	W350-0342	BATTERY HOUSING	YES
31	W707-0002	TRANSFORMER (3V)	YES
32	W725-0032	VALVE (NG)	
32	W725-0049	VALVE (LP)	

13.0 HD35-1 ACCESSORIES

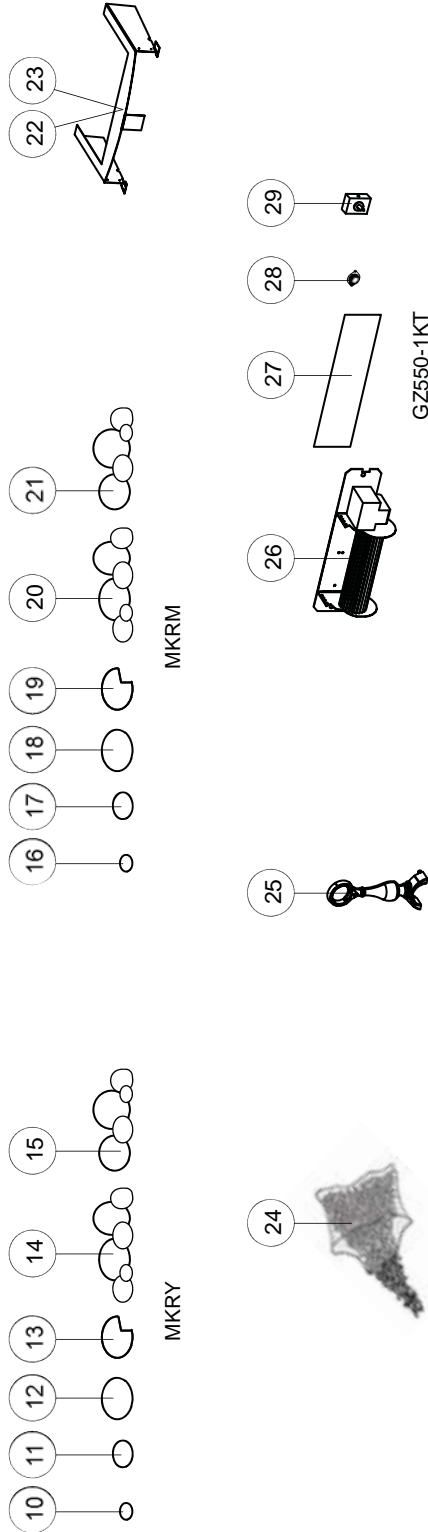


ITEMS MAY NOT APPEAR EXACTLY AS ILLUSTRATED

REF NO.	PART NUMBER	DESCRIPTION	STOCKED
1	W475-0703	LEFT SIDE BRICK PANEL (GD841KT)	
2	W475-0689	REAR BRICK PANEL (GD841KT)	
3	W475-0692	RIGHT SIDE BRICK PANEL (GD841KT)	
4	W090-0161	LEFT SIDE PORCELAIN PANEL (PRPH35)	
5	W090-0160	REAR PORCELAIN PANEL (PRPH35)	

REF NO.	PART NUMBER	DESCRIPTION	STOCKED
6	W090-0162	RIGHT SIDE PORCELAIN PANEL (PRPH35)	
7	W090-0173	LEFT SIDE PORCELAIN PANEL (PRPHR35)	
8	W090-0175	REAR PORCELAIN PANEL (PRPHR35)	
9	W090-0174	RIGHT SIDE PORCELAIN PANEL (PRPHR35)	

HD35-1 ACCESSORIES (PAGE 2)

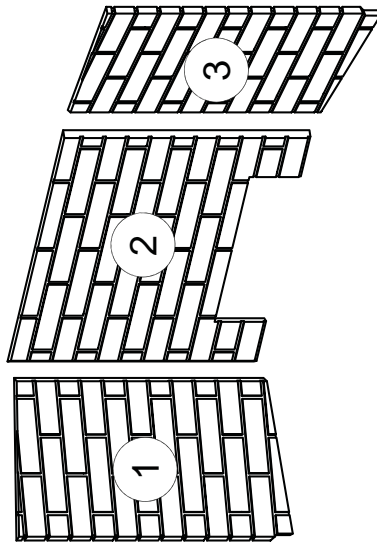


ITEMS MAY NOT APPEAR EXACTLY AS ILLUSTRATED

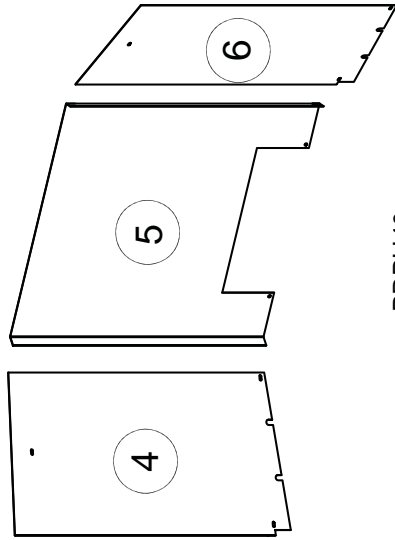
REF. NO.	PART NUMBER	DESCRIPTION	STOCKED
10	W135-0424	SMALL GREY ROCK (MKRY/MKRM)	
11	W135-0428	MEDIUM GREY ROCK (MKRY/MKRM)	
12	W135-0432	LARGE GREY ROCK (MKRY/MKRM)	
13	W135-0436	LARGE CUT OUT GREY ROCK (MKRY/MKRM)	
14	W135-0439	RIGHT SIDE GREY ROCK CLUSTER (MKRY)	
15	W135-0440	LEFT SIDE GREY ROCK CLUSTER (MKRY)	
16	W135-0421	SMALL TAN ROCK (MKRM)	
16	W135-0422	SMALL BROWN ROCK (MKRM)	
16	W135-0423	SMALL BLACK ROCK (MKRM)	
17	W135-0425	MEDIUM TAN ROCK (MKRM)	
17	W135-0426	MEDIUM BROWN ROCK (MKRM)	
17	W135-0427	MEDIUM BLACK ROCK (MKRM)	
18	W135-0429	LARGE TAN ROCK (MKRM)	
18	W135-0430	LARGE BROWN ROCK (MKRM)	
18	W135-0431	LARGE BLACK ROCK (MKRM)	
19	W135-0433	LARGE CUT OUT TAN ROCK (MKRM)	

REF. NO.	PART NUMBER	DESCRIPTION	STOCKED
19	W135-0434	LARGE CUT OUT BROWN ROCK (MKRM)	
19	W135-0435	LARGE CUT OUT BLACK ROCK (MKRM)	
20	W135-0437	RS MULTI-COLOR ROCK CLUSTER (MKRM)	
21	W135-0438	LS MULTI-COLOR ROCK CLUSTER (MKRM)	
22	W655-0335	ROCK MEDIA TRAY (RAK35/40)	
23	W655-0365	ROCK MEDIA TRAY (RAK46)	
24	MEGK	BLACK GLASS EMBERS (1lb)	
24	MEGB	BLUE GLASS EMBERS (1lb)	
24	MEGR	RED GLASS EMBERS (1lb)	
24	MEGA	AMBER GLASS EMBERS (1lb)	
24	MEGT	TOPAZ GLASS EMBERS (1lb)	
25	W715-0629	ANDIRON (X2) (ANIH)	
26	GZ552	BLOWER (GZ550-1KT)	YES
27	W361-0037	BLOWER GASKET (GZ550-1KT)	YES
28	W690-0002	THERMODISC (GZ550-1KT)	YES
29	KB35	VARIABLE SPEED SWITCH (GZ550-1KT)	YES

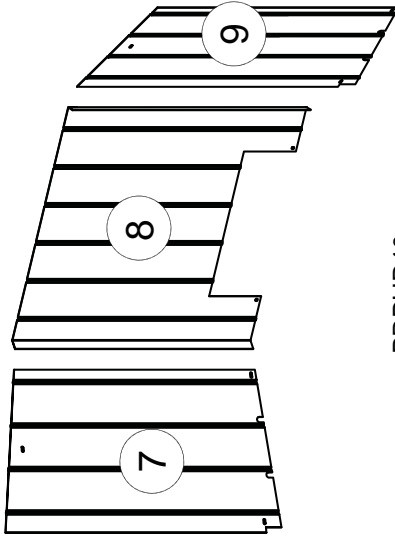
14.0 HD40-1 ACCESSORIES



GD842-1KT



PRPH40



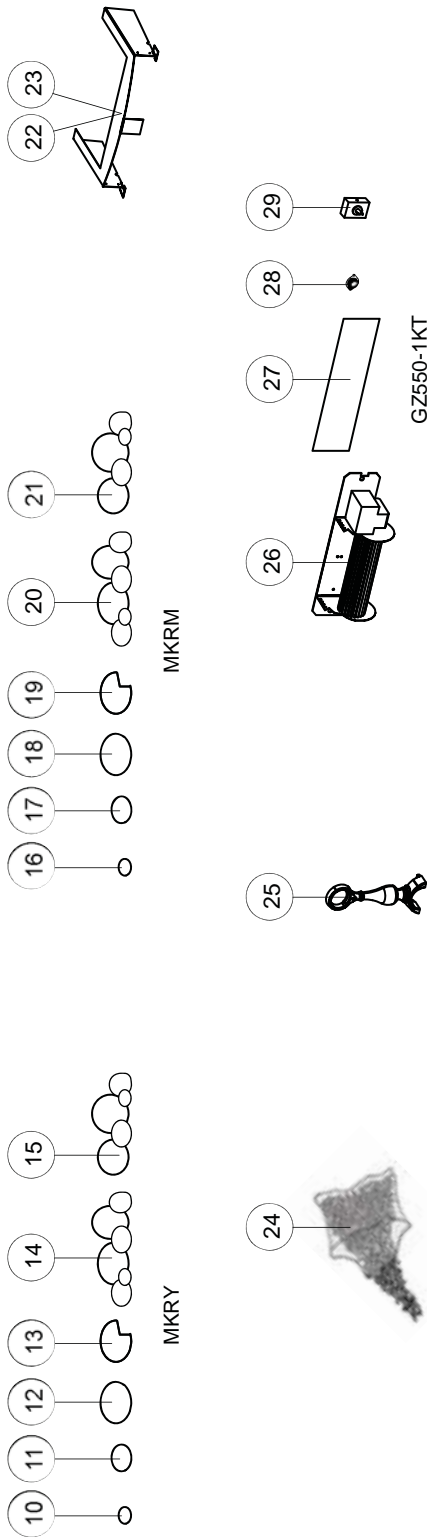
PRPHR40

ITEMS MAY NOT APPEAR EXACTLY AS ILLUSTRATED

REF NO.	PART NUMBER	DESCRIPTION	STOCKED
1	W475-0703	LEFT SIDE BRICK PANEL (GD842-1KT)	
2	W475-0690	REAR BRICK PANEL (GD842-1KT)	
3	W475-0692	RIGHT SIDE BRICK PANEL (GD842-1KT)	
4	W090-0161	LEFT SIDE PORCELAIN PANEL (PRPH40)	
5	W090-0164	REAR PORCELAIN PANEL (PRPH40)	

REF NO.	PART NUMBER	DESCRIPTION	STOCKED
6	W090-0162	RIGHT SIDE PORCELAIN PANEL (PRPH40)	
7	W090-0173	LEFT SIDE PORCELAIN PANEL (PRPHR40)	
8	W090-0176	REAR PORCELAIN PANEL (PRPHR40)	
9	W090-0174	RIGHT SIDE PORCELAIN PANEL (PRPHR40)	

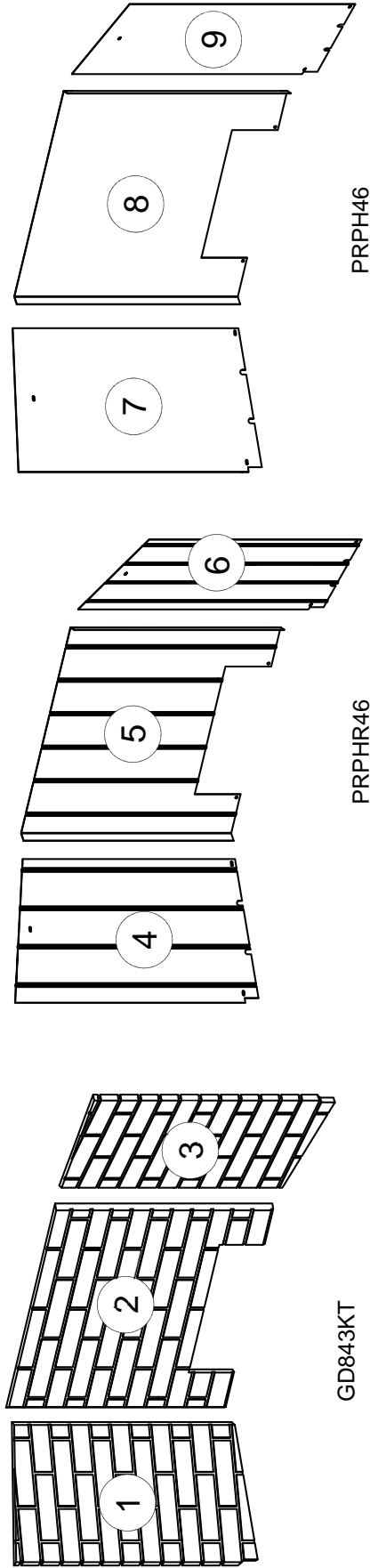
HD40-1 ACCESSORIES (PAGE 2)



ITEMS MAY NOT APPEAR EXACTLY AS ILLUSTRATED

REF. NO.	PART NUMBER	DESCRIPTION	STOCKED
10	W135-0424	SMALL GREY ROCK (MKRY/MKRM)	
11	W135-0428	MEDIUM GREY ROCK (MKRY/MKRM)	
12	W135-0432	LARGE GREY ROCK (MKRY/MKRM)	
13	W135-0436	LARGE CUT OUT GREY ROCK (MKRY/MKRM)	
14	W135-0439	RIGHT SIDE GREY ROCK CLUSTER (MKRY)	
15	W135-0440	LEFT SIDE GREY ROCK CLUSTER (MKRY)	
16	W135-0421	SMALL TAN ROCK (MKRM)	
16	W135-0422	SMALL BROWN ROCK (MKRM)	
16	W135-0423	SMALL BLACK ROCK (MKRM)	
17	W135-0425	MEDIUM TAN ROCK (MKRM)	
17	W135-0426	MEDIUM BROWN ROCK (MKRM)	
17	W135-0427	MEDIUM BLACK ROCK (MKRM)	
18	W135-0429	LARGE TAN ROCK (MKRM)	
18	W135-0430	LARGE BROWN ROCK (MKRM)	
18	W135-0431	LARGE BLACK ROCK (MKRM)	
19	W135-0433	LARGE CUT OUT TAN ROCK (MKRM)	
19	W135-0434	LARGE CUT OUT BROWN ROCK (MKRM)	
19	W135-0435	LARGE CUT OUT BLACK ROCK (MKRM)	
20	W135-0437	RS MULTI-COLOR ROCK CLUSTER (MKRM)	
21	W135-0438	LS MULTI-COLOR ROCK CLUSTER (MKRM)	
22	W655-0335	ROCK MEDIA TRAY (RAK35/40)	
23	W655-0365	ROCK MEDIA TRAY (RAK46)	
24	MEGK	BLACK GLASS EMBERS (1lb)	
24	MEGB	BLUE GLASS EMBERS (1lb)	
24	MEGR	RED GLASS EMBERS (1lb)	
24	MEGA	AMBER GLASS EMBERS (1lb)	
24	MEGT	TOPAZ GLASS EMBERS (1lb)	
25	W715-0629	ANDIRON (X2) (ANIH)	
26	GZ552	BLOWER (GZ550-1KT)	YES
27	W361-0037	BLOWER GASKET (GZ550-1KT)	YES
28	W690-0002	THERMODISC (GZ550-1KT)	YES
29	KB35	VARIABLE SPEED SWITCH (GZ550-1KT)	YES

15.0 HD46-1 ACCESSORIES

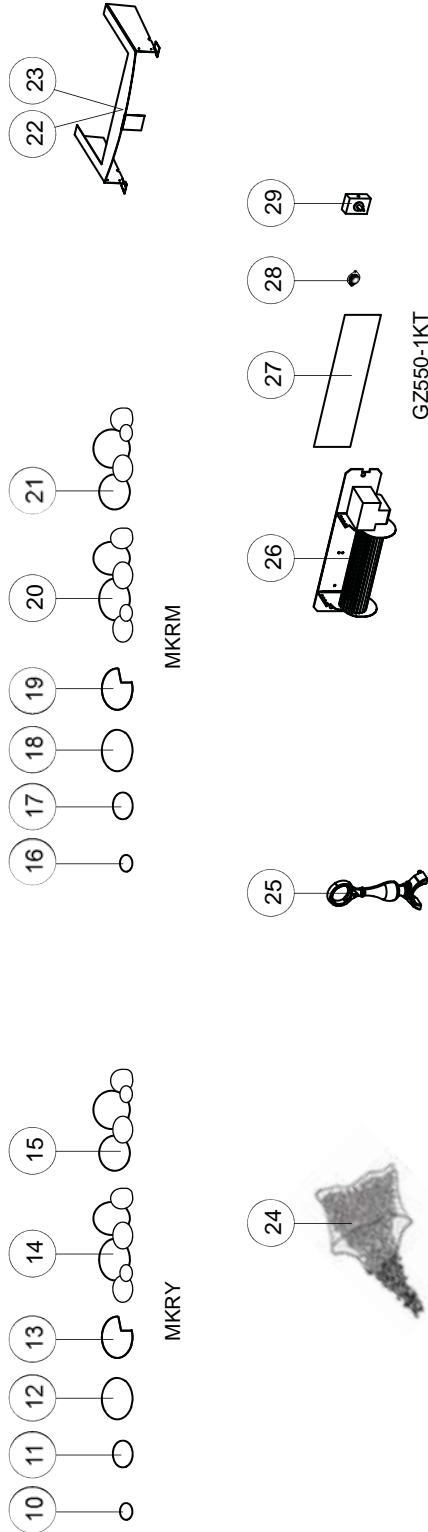


ITEMS MAY NOT APPEAR EXACTLY AS ILLUSTRATED

REF NO.	PART NUMBER	DESCRIPTION	STOCKED
1	W475-0703	LEFT SIDE BRICK PANEL (GD843KT)	
2	W475-0691	REAR BRICK PANEL (GD843KT)	
3	W475-0692	RIGHT SIDE BRICK PANEL (GD843KT)	
4	W090-0161	LEFT SIDE PORCELAIN PANEL (PRPH46)	
5	W090-0165	REAR PORCELAIN PANEL (PRPH46)	

REF NO.	PART NUMBER	DESCRIPTION	STOCKED
6	W090-0162	RIGHT SIDE PORCELAIN PANEL (PRPH46)	
7	W090-0173	LEFT SIDE PORCELAIN PANEL (PRPHR46)	
8	W090-0177	REAR PORCELAIN PANEL (PRPHR46)	
9	W090-0174	RIGHT SIDE PORCELAIN PANEL (PRPHR46)	

HD46-1 ACCESSORIES (PAGE 2)



ITEMS MAY NOT APPEAR EXACTLY AS ILLUSTRATED

REF. NO.	PART NUMBER	DESCRIPTION	STOCKED
10	W135-0424	SMALL GREY ROCK (MKRY/MKRM)	
11	W135-0428	MEDIUM GREY ROCK (MKRY/MKRM)	
12	W135-0432	LARGE GREY ROCK (MKRY/MKRM)	
13	W135-0436	LARGE CUT OUT GREY ROCK (MKRY/MKRM)	
14	W135-0439	RIGHT SIDE GREY ROCK CLUSTER (MKRY)	
15	W135-0440	LEFT SIDE GREY ROCK CLUSTER (MKRY)	
16	W135-0421	SMALL TAN ROCK (MKRM)	
16	W135-0422	SMALL BROWN ROCK (MKRM)	
16	W135-0423	SMALL BLACK ROCK (MKRM)	
17	W135-0425	MEDIUM TAN ROCK (MKRM)	
17	W135-0426	MEDIUM BROWN ROCK (MKRM)	
17	W135-0427	MEDIUM BLACK ROCK (MKRM)	
18	W135-0429	LARGE TAN ROCK (MKRM)	
18	W135-0430	LARGE BROWN ROCK (MKRM)	
18	W135-0431	LARGE BLACK ROCK (MKRM)	
19	W135-0433	LARGE CUT OUT TAN ROCK (MKRM)	

REF. NO.	PART NUMBER	DESCRIPTION	STOCKED
19	W135-0434	LARGE CUT OUT BROWN ROCK (MKRM)	
19	W135-0435	LARGE CUT OUT BLACK ROCK (MKRM)	
20	W135-0437	RS MULTI-COLOR ROCK CLUSTER (MKRM)	
21	W135-0438	LS MULTI-COLOR ROCK CLUSTER (MKRM)	
22	W655-0335	ROCK MEDIA TRAY (RAK35/40)	
23	W655-0365	ROCK MEDIA TRAY (RAK46)	
24	MEGK	BLACK GLASS EMBERS (1lb)	
24	MEGB	BLUE GLASS EMBERS (1lb)	
24	MEGR	RED GLASS EMBERS (1lb)	
24	MEGA	AMBER GLASS EMBERS (1lb)	
24	MEGT	TOPAZ GLASS EMBERS (1lb)	
25	W715-0629	ANDIRON (X2) (ANIH)	
26	GZ552	BLOWER (GZ550-1KT)	YES
27	W361-0037	BLOWER GASKET (GZ550-1KT)	YES
28	W690-0002	THERMODISC (GZ550-1KT)	YES
29	KB35	VARIABLE SPEED SWITCH (GZ550-1KT)	YES

16.0 TROUBLESHOOTING

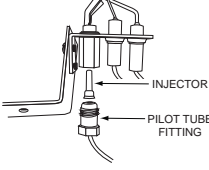
! WARNING

ALWAYS LIGHT THE PILOT WHETHER FOR THE FIRST TIME OR IF THE GAS SUPPLY HAS RUN OUT, WITH THE GLASS DOOR OPEN OR REMOVED.

TURN OFF THE GAS AND ELECTRICAL POWER BEFORE SERVICING THE APPLIANCE.

APPLIANCE MAY BE HOT, DO NOT SERVICE UNTIL APPLIANCE HAS COOLED.

DO NOT USE ABRASIVE CLEANERS.

SYMPTOM	PROBLEM	TEST SOLUTION
Pilot will not light.	Wiring.	- Verify the "S" wire for the sensor and the "I" wire for the ignitor are connected to the terminals on the module and pilot assembly.
	Loose connection.	- Verify no loose connections, electrical shorts in the wiring or ground out to any metal object.
Makes noise with no spark at pilot burner.	Module.	- Turn the ON/OFF switch to the "OFF" position. Remove the igniter wire "I" from the module. Place the ON/OFF switch to the "ON" position. Hold a grounded wire about 3/16" (4.8mm) away from the "I" terminal on the module. If no spark, the module must be replaced. If there is a spark, the module is fine. Inspect pilot assembly for a shorted wire or cracked insulator around the electrode.
	Igniter Spark gap is incorrect.	- Spark gap of the ignitor to the pilot should be .125" (3.2mm)
	Transformer.	- Verify the transformer is installed and plugged into the relay box. Check voltage of the transformer under load at the spade connections on the relay box with the ON/OFF switch in the "ON" position. Acceptable readings of a good transformer are between 2.8 and 3.4 volts A.C.
	A shorted or loose Connection.	- Remove and reinstall the wiring harness that plugs into the module. Remove and verify continuity of each wire in wiring harness.
	Battery backup	- Check batteries.
	Improper switch wiring.	- Troubleshoot the system with the simplest ON/OFF switch.
	Pilot sparks but will not light.	Gas supply.
Carbon is being deposited on glass, logs, rocks, media or combustion chamber surfaces.	Out of propane gas.	- Fill the tank.
	Air shutter has become blocked.	- Ensure air shutter opening is free of lint or other obstructions. - Ensure air shutter is properly set.
Flame is impinging on the glass, logs, rocks, media or combustion chamber.	Flame is impinging on the glass, logs, rocks, media or combustion chamber.	- Check that the glass, logs, rocks or media are correctly positioned. - Open air shutter to increase the primary air. - Check the input rate: check the manifold pressure and orifice size as specified by the rating plate. - Check that the door gasketing is not broken or missing and that the seal is tight. - Check that both vent liners are free of holes and well sealed at all joints. - Check that minimum rise per foot has been adhered to for any horizontal venting.

SYMPTOM	PROBLEM	TEST SOLUTION
Continues to spark and pilot lights, but main burner will not light.	Short or loose connection in sensor rod.	<ul style="list-style-type: none"> - Verify all connections. Verify the connections from the pilot assembly are tight; also verify these connections are not grounding out to any metal. - Verify the TH wires are connected to the valve.
	THTP	<ul style="list-style-type: none"> - Verify the THTP wires are connected to the valve.
	Poor flame rectification or contaminated sensor rod.	<ul style="list-style-type: none"> - Verify the flame is engulfing the sensor rod. This will increase the flame rectification. Verify correct pilot orifice is installed and inlet gas specifications to manual. (Remember, the flame carries the rectification current, not the gas. If the flame lifts from the pilot hood, the circuit is broken. A wrong orifice or too high of an inlet pressure can cause the pilot flame to lift). The sensor rod may need cleaning.
Pilot light stops sparking / pilot remains lit but burner will not turn on.	Pilot has been painted	<ul style="list-style-type: none"> - Using a piece of sandpaper or emery cloth remove the paint from the pilot hood, ignitor and flame sensor.
	Wiring / connection.	<ul style="list-style-type: none"> - Inspect all wires, ensure good tight connections. Verify that all wiring is installed exactly as specified.
	Wiring harness.	<ul style="list-style-type: none"> - Inspect the wiring harness and verify the harness is tightly connected to the module. Verify that you have all wires connected and in the right order.
	Module or valve.	<ul style="list-style-type: none"> - Conduct the following test to verify if the problem is the module or valve. To measure voltages, turn the multimeter to "DC", place the red lead from the multimeter to the screw on the terminal block for the wire you are checking, touch black lead to ground (valve body). Importantly, a "zero" volts reading does not automatically indicate a bad module, there may be too little resistance in the valve solenoid. Check if the green wires is disconnected from the valve. The voltage output from the module should be between 1.5 and 3 volts.
Exhaust fumes smelled in room, headaches.	Pilot has been painted	<ul style="list-style-type: none"> - Using a piece of sandpaper or emery cloth remove the paint from the pilot hood, ignitor and flame sensor.
	Appliance is spilling.	<ul style="list-style-type: none"> - Check all seals.
Flames are very aggressive.	Door is ajar.	<ul style="list-style-type: none"> - Ensure door is secured properly.
	Venting action is too great.	<ul style="list-style-type: none"> - Check to ensure venting is properly sealed or restrict vent exit with restrictor plate. Restrictor plate not available in some models.
Main burner flame is a blue, lazy, transparent flame.	Blockage in vent.	<ul style="list-style-type: none"> - Remove blockage. In really cold conditions, ice buildup may occur on the terminal and should be removed as required. To minimize this from happening again, it is recommended that the vent lengths that pass through unheated spaces (attics, garages, crawl spaces) be wrapped with an insulated mylar sleeve. Prevent sleeve from sagging. Contact your local authorized dealer for more information.
White / grey film forms.	Sulphur from fuel is being deposited on glass, logs or combustion chamber surfaces.	<ul style="list-style-type: none"> - Clean the glass with a recommended appliance glass cleaner. DO NOT CLEAN GLASS WHEN HOT! If deposits are not cleaned off regularly, the glass may become permanently marked.

17.0 WARRANTY

NAPOLEON products are manufactured under the strict Standard of the world recognized ISO 9001 : 2008 Quality Assurance Certificate.

NAPOLEON products are designed with superior components and materials assembled by trained craftsmen who take great pride in their work. The burner and valve assembly are leak and test-fired at a quality test station. The complete appliance is again thoroughly inspected by a qualified technician before packaging to ensure that you, the customer, receives the quality product that you expect from NAPOLEON.

NAPOLEON GAS APPLIANCE PRESIDENT'S LIFETIME LIMITED WARRANTY

The following materials and workmanship in your new NAPOLEON gas appliance are warranted against defects for as long as you own the appliance. This covers: combustion chamber, heat exchanger, stainless steel burner, phazer™ logs and embers, rocks, ceramic glass (thermal breakage only), gold plated parts against tarnishing, porcelainized enameled components and aluminum extrusion trims.*

Electrical (110V and millivolt) components and wearable parts are covered and NAPOLEON will provide replacement parts free of charge during the first year of the limited warranty. This covers: blowers, gas valves, thermal switches, switches, wiring, remote controls, ignitors, gaskets and pilot assemblies.*

Labour related to warranty repair is covered free of charge during the first year. Repair work, however, requires the prior approval of an authorized company official. Labour costs to the account of NAPOLEON are based on a predetermined rate schedule and any repair work must be done through an authorized NAPOLEON dealer.

* Construction of models vary. Warranty applies only to components included with your specific appliance.

CONDITIONS AND LIMITATIONS

NAPOLEON warrants its products against manufacturing defects to the original purchaser only. Registering your warranty is not necessary. Simply provide your proof of purchase along with the model and serial number to make a warranty claim. NAPOLEON reserves the right to have its representative inspect any product or part thereof prior to honouring any warranty claim. Provided that the purchase was made through an authorized NAPOLEON dealer your appliance is subject to the following conditions and limitations:

Warranty coverage begins on the date of original installation.

This factory warranty is non-transferable and may not be extended whatsoever by any of our representatives.

The gas appliance must be installed by a licensed, authorized service technician or contractor. Installation must be done in accordance with the installation instructions included with the product and all local and national building and fire codes.

This limited warranty does not cover damages caused by misuse, lack of maintenance, accident, alterations, abuse or neglect and parts installed from other manufacturers will nullify this warranty.

This limited warranty further does not cover any scratches, dents, corrosion or discoloring caused by excessive heat, abrasive and chemical cleaners nor chipping on porcelain enamel parts, mechanical breakage of PHAZER™ logs and embers.

This warranty extends to the repair or replacement of warranted parts which are defective in material or workmanship provided that the product has been operated in accordance with the operation instructions and under normal conditions.

After the first year, with respect to this President's Lifetime Limited Warranty, NAPOLEON may, at its discretion, fully discharge all obligations with respect to this warranty by refunding to the original warranted purchaser the wholesale price of any warranted but defective part(s).

NAPOLEON will not be responsible for installation, labour or any other expenses related to the reinstallation of a warranted part and such expenses are not covered by this warranty.

Notwithstanding any provisions contained in the President's Lifetime Limited Warranty, NAPOLEON'S responsibility under this warranty is defined as above and it shall not in any event extend to any incidental, consequential or indirect damages.

This warranty defines the obligations and liability of NAPOLEON with respect to the NAPOLEON gas appliance and any other warranties expressed or implied with respect to this product, its components or accessories are excluded.

NAPOLEON neither assumes, nor authorizes any third party to assume, on its behalf, any other liabilities with respect to the sale of this product.

NAPOLEON will not be responsible for: over-firing, downdrafts, spillage caused by environmental conditions such as rooftops, buildings, nearby trees, hills, mountains, inadequate vents or ventilation, excessive venting configurations, insufficient makeup air, or negative air pressures which may or may not be caused by mechanical systems such as exhaust fans, furnaces, clothes dryers, etc.

Any damages to the appliance, combustion chamber, heat exchanger, plated trim or other components due to water, weather damage, long periods of dampness, condensation, damaging chemicals or cleaners will not be the responsibility of NAPOLEON.

All parts replaced under the President's Limited Lifetime Warranty Policy are subject to a single claim.

During the first 10 years NAPOLEON will replace or repair the defective parts covered by the lifetime warranty at our discretion free of charge. From 10 years to life, NAPOLEON will provide replacement parts at 50% of the current retail price.

All parts replaced under the warranty will be covered for a period of 90 days from the date of their installation.

The manufacturer may require that defective parts or products be returned or that digital pictures be provided to support the claim. Returned products are to be shipped prepaid to the manufacturer for investigation. If a product is found to be defective, the manufacturer will repair or replace such defect.

Before shipping your appliance or defective components, your dealer must obtain an authorization number. Any merchandise shipped without authorization will be refused and returned to sender.

Shipping costs are not covered under this warranty.

Additional service fees may apply if you are seeking warranty service from a dealer.

Warranty labour allowance is only for the replacement of the warranted part. Travel, diagnostic tests, shipping and other related charges are not covered by this warranty.

ALL SPECIFICATIONS AND DESIGNS ARE SUBJECT TO CHANGE WITHOUT PRIOR NOTICE DUE TO ON-GOING PRODUCT IMPROVEMENTS. NAPOLEON IS A REGISTERED TRADEMARK OF WOLF STEEL LTD.

Other Napoleon Products



Fireplace Inserts • Charcoal Grills • Gas Fireplaces • Waterfalls • Wood Stoves
Heating & Cooling • Electric Fireplaces • Outdoor Fireplaces • Gas Grills



24 Napoleon Road, Barrie, Ontario, Canada L4M 0G8
214 Bayview Drive, Barrie, Ontario, Canada L4N 4Y8
103 Miller Drive, Crittenden, Kentucky, USA 41030
7200 Trans Canada Highway, Montreal, Quebec, Canada H4T 1A3

Fireplaces / Heating & Cooling call: 705-721-1212 • Grills call: 705-726-4278
napoleonproducts.com

INSTALLATEUR : LAISSEZ CE MANUEL AVEC L'APPAREIL.
PROPRIÉTAIRE : CONSERVEZ CE MANUEL POUR CONSULTATION ULTÉRIEURE.
NE LAISSEZ PAS LES ENFANTS OU AUTRES INDIVIDUS À RISQUE SEULS À PROXIMITÉ DE L'APPAREIL.



INSTRUCTIONS D'INSTALLATION ET D'OPÉRATION

CONFORME AUX LES NORMES NATIONALES AMÉRICAINES: ANSI Z21.50, CERTIFIÉ CANADIENNES: CSA 2.22 FOYER À GAZ VENTILÉ.

CERTIFIÉ POUR LE CANADA ET LES ÉTATS-UNIS SELON LES MÉTHODES ANSI/CSA.

CONSIGNES DE SÉCURITÉ

! AVERTISSEMENT

Si ces instructions ne sont pas suivies à la lettre, un incendie ou une explosion pourraient s'ensuivre, causant des dommages matériels, des blessures corporelles ou des pertes de vie.

- N'entreposez pas et n'utilisez pas d'essence ou autres liquides et vapeurs inflammables à proximité de cet appareil ou tout autre appareil.
- QUE FAIRE SI VOUS DÉTECTEZ UNE ODEUR DE GAZ :
 - N'allumez aucun appareil.
 - Ne touchez à aucun interrupteur électrique; n'utilisez aucun téléphone dans votre immeuble.
 - Appelez immédiatement votre fournisseur de gaz d'un téléphone voisin. Suivez ses instructions.
 - Si vous ne pouvez pas rejoindre votre fournisseur de gaz, appelez le service des incendies.
- L'installation et l'entretien doivent être faits par un installateur qualifié, une agence d'entretien ou le fournisseur.

Cet appareil peut être installé dans une maison préfabriquée (mobile) déjà installée à demeure si les règlements locaux le permettent.

Cet appareil doit être utilisé uniquement avec le type de gaz indiqué sur la plaque signalétique. Cet appareil ne peut être converti à d'autres gaz, sauf si une trousse de conversion est utilisée.

Produit décoratif : Ne pas utiliser comme appareil de chauffage.

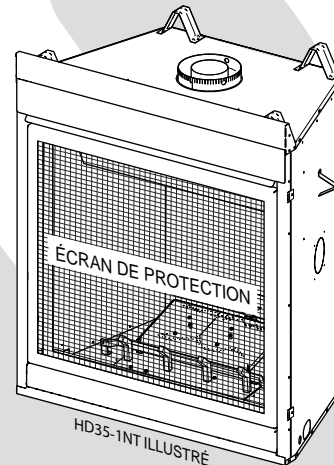


ÉCRAN DE PROTECTION



HD35NT-1, HD40NT-1 & HD46NT-1
MODÈLE AU GAZ NATUREL

HD35PT-1, HD40PT-1 & HD46PT-1
MODÈLE AU PROPANE



! AVERTISSEMENT

LA VITRE CHAUDE CAUSERA DES BRÛLURES.



NE PAS TOUCHER LA VITRE AVANT QU'ELLE AIT REFROIDI.

NE JAMAIS LAISSER LES ENFANTS TOUCHER LA VITRE.

Une barrière conçue à réduire le risque de brûlures causées par le verre chaud est fourni avec l'appareil et sera installé pour la protection des enfants et d'autres personnes à risque.

Wolf Steel Ltd., 24 Napoleon Rd., Barrie, ON, L4M 0G8 Canada /
103 Miller Drive, Crittenden, Kentucky, USA, 41030

Téléphone 705-721-1212 • Télécopieur 705-722-9081 • www.napoleonfoyers.com • hearth@napoleonproducts.com

TABLE DES MATIÈRES

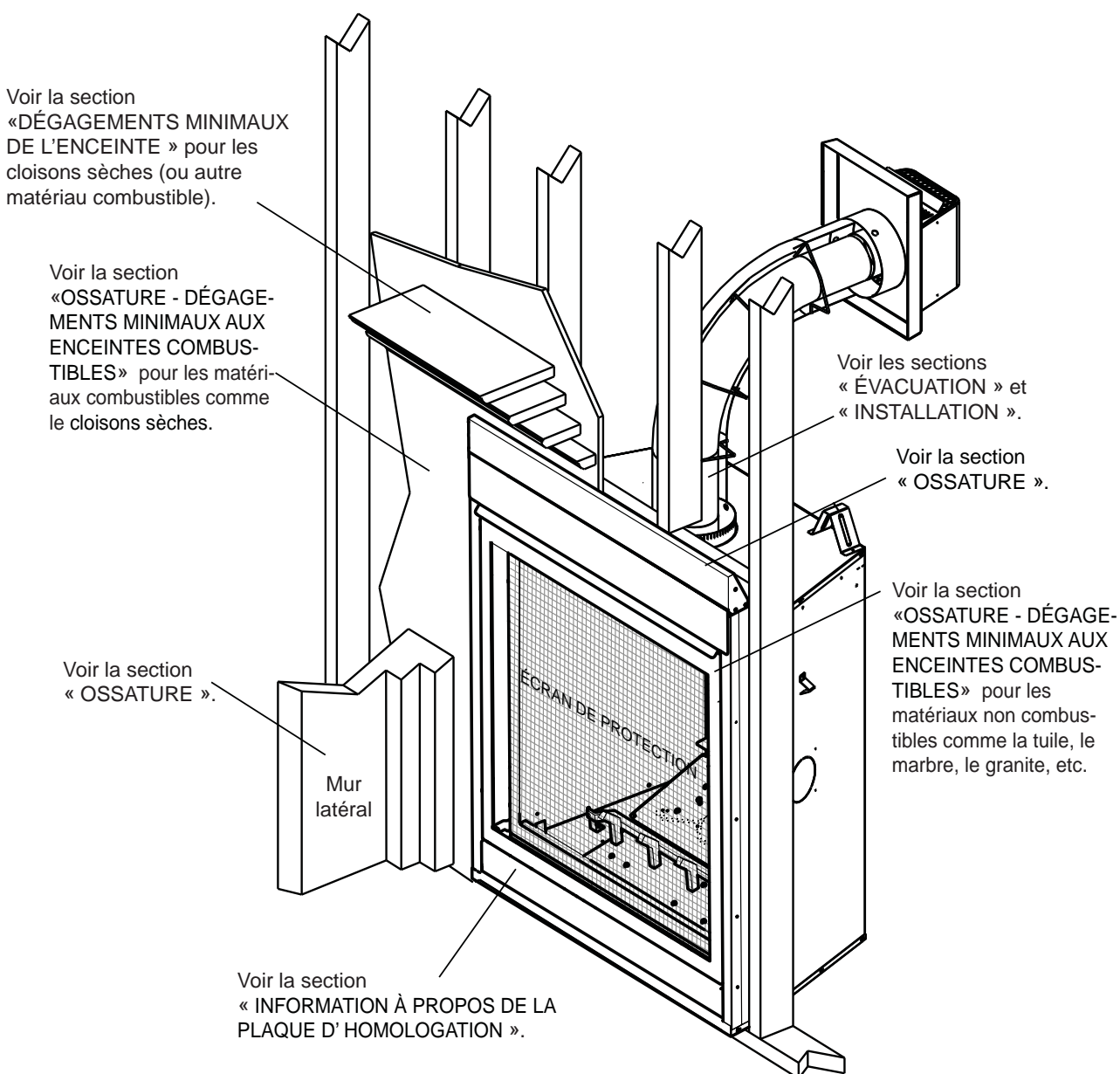
1.0	VUE D'ENSEMBLE DE L'INSTALLATION	71
1.1	UTILISATION DE MATÉRIAU COMBUSTIBLE	71
2.0	INTRODUCTION	72
2.1	DIMENSIONS	73
2.2	INSTRUCTIONS GÉNÉRALES	74
2.3	INFORMATIONS GÉNÉRALES	75
2.4	INFORMATION À PROPOS DE LA PLAQUE	76
3.0	ÉVACUATION	77
3.1	LONGUEURS DES CONDUITS D'ÉVACUATION ET COMPOSANTS	77
3.2	INSTALLATIONS TYPIQUES D'ÉVÉNEMENTS	78
3.3	INSTALLATIONS PARTICULIÈRES D'ÉVÉNEMENTS	79
3.3.1	ENSEMBLE PÉRISCOPIQUE	79
3.3.2	TERMINAISON EN COIN	79
3.4	EMPLACEMENTS ET DÉGAGEMENTS MINIMAUX DE LA TERMINAISON	80
3.5	CHARTRE D'APPLICATION DES ÉVACUATIONS	81
3.6	LÉGENDE	81
3.7	LONGUEURS DES ÉVÉNEMENTS EN COUDE	81
3.8	TERMINAISON HORIZONTALE	82
3.9	ÉVACUATION SUR LE DESSUS TERMINAISON VERTICALE	84
3.10	CONFIGURATIONS D'ÉVACUATION COAXIALES À COLINÉAIRES	86
4.0	INSTALLATION	87
4.1	PROTECTION DU MUR ET DU PLAFOND	87
4.1.1	INSTALLATION HORIZONTALE	88
4.1.2	INSTALLATION VERTICALE	88
4.2	UTILISATION DE COMPOSANTS FLEXIBLES D'ÉVACUATION	89
4.2.1	INSTALLATION DE LA TERMINAISON HORIZONTALE	89
4.2.2	INSTALLATION DE LA TERMINAISON VERTICALE	90
4.3	UTILISATION DE COMPOSANTS RIGIDES D'ÉVACUATION	91
4.3.1	INSTALLATION DE LA TERMINAISON HORIZONTALE	91
4.3.2	INSTALLATION DE LA TERMINAISON HORIZONTALE PROLONGÉE	91
4.3.3	INSTALLATION DE LA TERMINAISON VERTICALE	92
4.4	INSTALLATION DANS UNE MAISON MOBILE	93
4.5	PANNEAU D'ACCÈS POUR LE RACCORDEMENT DE LA CONDUITE DE GAZ	93
4.6	GAS INSTALLATION	94
5.0	OSSATURE	95
5.1	DÉGAGEMENT MINIMAL AUX MATÉRIEAUX COMBUSTIBLES	97
5.2	DÉGAGEMENTS MINIMAUX DE L'ENCEINTE	98
5.3	INSTALLATION DU MATÉRIEAUX INCOMBUSTIBLE	99
5.4	INSTALLATION EN ALCÔVE	100
5.5	DÉGAGEMENTS MINIMAUX DE LA TABLETTE	101
5.6	MATÉRIAU DE FINITION INCOMBUSTIBLE	101
6.0	FINITIONS	102
6.1	ENLÈVEMENT ET INSTALLATION DE L'ÉCRAN DE PROTECTION	102
6.2	ENLÈVEMENT ET INSTALLATION DE LA PORTE VITRÉE	103
6.3	DISPOSITION DES BÛCHES	104
6.4	BRAISES INCANDESCENTES	106
6.5	LES BRAISES DE CHARBON	106
6.6	VERMICULITE OPTIONNELLE	106
6.7	PIERRE DE LAVE	106
6.8	MORCEAUX DE CHARBON DE BOIS OPTIONNELS (INCLUS AVEC LE HD46)	106
6.9	MISE EN PLACE DU LOGO	106
7.0	INSTALLATION DE VENTILATEUR EN OPTION	107
7.1	ACCÈS À LA SOUFFLERIE	107
7.2	INSTALLATION DE LA SOUFFLERIE	108
8.0	SCHÉMA DE CÂBLAGE / INFORMATION ÉLECTRIQUE	109
8.1	LES EXIGENCES DE CÂBLAGE	109
8.2	EXIGENCES POUR LES ACCESSOIRES OPTIONNELS	109
8.3	INSTALLATION DE LA BOÎTE DE DÉRIVATION	110
8.4	SCHÉMA DE CÂBLAGE	111
9.0	OPÉRATION	112
10.0	RÉGLAGES	113
10.1	RÉGLAGE DE LA VEILLEUSE	113
10.2	RÉGLAGE DU VENTURI	113
10.3	CARACTÉRISTIQUES DE LA FLAMME	114
11.0	ENTRETIEN	114
11.1	ENTRETIEN ANNUEL	115
11.2	CHANGEMENT DU VERRE DE LA PORTE	116
11.3	SOINS DE LA VITRE	116
11.4	SOIN DE PIÈCES PLAQUÉES	117
12.0	RECHANGES	117
12.1	VUE D'ENSEMBLE DU HD35-1	118
12.2	L'ASSEMBLAGE DU SOUPAPE HD35-1	119
12.3	VUE D'ENSEMBLE DU HD40-1	120
12.4	L'ASSEMBLAGE DU SOUPAPE HD40-1	121
12.5	VUE D'ENSEMBLE DU HD46-1	122
12.6	L'ASSEMBLAGE DU SOUPAPE HD46-1	123

13.0	ACCESSOIRES DU HD35-1	124
14.0	ACCESSOIRES DU HD40-1	126
15.0	ACCESSOIRES DU HD46-1	128
16.0	GUIDE DE DÉPANNAGE	130
17.0	GARANTIE	133

NOTE: Les changements autres que de nature éditoriale sont dénotés par une ligne verticale dans la marge.

1.0 VUE D'ENSEMBLE DE L'INSTALLATION

1.1 UTILISATION DE MATÉRIAU COMBUSTIBLE



Les piles doivent être mises au rebut conformément aux lois et à la réglementation locales. Certaines piles peuvent être recyclées et acceptées dans votre centre de recyclage local. Renseignez-vous auprès de votre municipalité au sujet des directives de recyclage.

2.0 INTRODUCTION

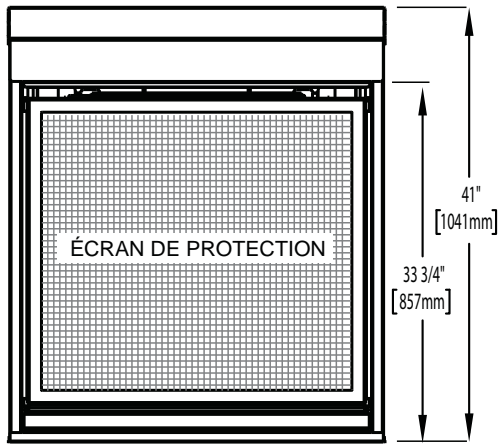
FR

AVERTISSEMENT

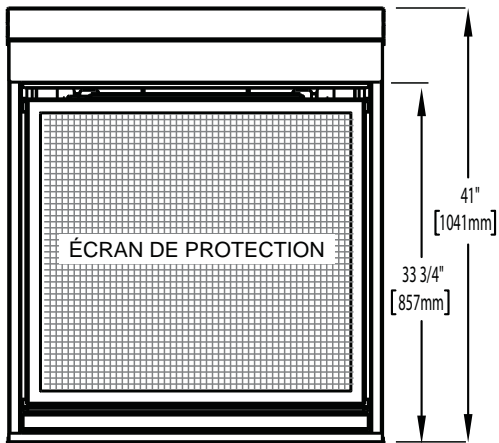
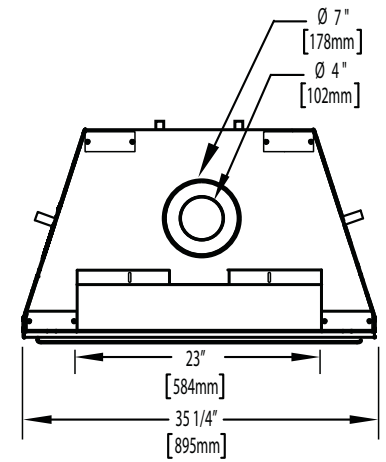
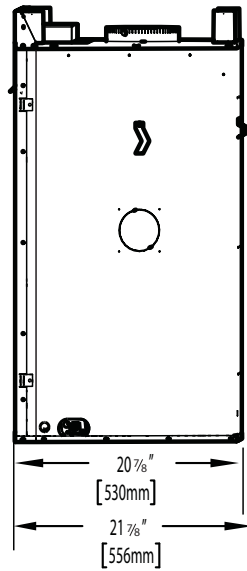
- **CET APPAREIL EST CHAUD LORSQU'IL FONCTIONNE ET PEUT CAUSER DE GRAVES BRÛLURES EN CAS DE CONTACT.**
- **TOUTE MODIFICATION APPORTÉE À CET APPAREIL OU AUX CONTRÔLES PEUT ÊTRE DANGEREUX ET EST INTERDIT.**
- Ne faites pas fonctionner l'appareil avant d'avoir lu et compris les instructions d'opération. Omettre d'utiliser l'appareil selon les instructions d'opération pourrait causer un incendie ou des blessures.
- Risque d'incendie ou d'asphyxie. Ne faites pas fonctionner l'appareil avec la vitre retirée.
- Ne branchez pas la soupape à du courant 110 volts.
- Risque de brûlures. L'appareil doit être éteint et refroidi avant d'effectuer un entretien.
- N'installez pas de composants endommagés ou incomplets ni des composants substitués.
- Risque de coupures et d'éraflures. Portez des gants protecteurs et des lunettes de sécurité lors de l'installation. Les bordures des pièces de métal peuvent être coupantes.
- Ne brûlez pas de bois ou autres matériaux dans cet appareil.
- **Les enfants et les adultes devraient être informés des dangers que posent les températures de surface élevées et se tenir à distance afin d'éviter des brûlures ou que leurs vêtements ne s'enflamment.**
- **Les jeunes enfants doivent être surveillés attentivement lorsqu'ils sont dans la même pièce que l'appareil. Les jeunes enfants et autres personnes à risque sont sujets aux brûlures accidentelles. Une barrière de protection est recommandée si des individus à risque se trouvent dans la maison. Afin de restreindre l'accès à l'appareil, installez une barrière de protection ajustable pour garder les jeunes enfants ou autres personnes à risque hors de la pièce et loin des surfaces chaudes.**
- **Les vêtements et autres matériaux combustibles ne doivent pas être posés sur l'appareil ou à proximité.**
- **En raison des températures élevées, l'appareil devrait être placé loin des endroits passants et loin des meubles et des rideaux.**
- Assurez-vous de disposer de mesures de sécurité adéquates pour empêcher les jeunes enfants de toucher aux surfaces chaudes.
- Même une fois que l'appareil est éteint, la vitre et/ou le pare-étincelles demeureront chauds pendant un temps prolongé.
- Consultez votre détaillant local de foyer pour connaître les grillages de sécurité et les écrans offerts pour protéger les enfants des surfaces chaudes. Ces grillages de sécurité et ces écrans doivent être fixés au plancher.
- **Tout grillages de sécurité, écrans ou barrière enlevés pour faire l'entretien devront être remis en place avant d'utiliser l'appareil.**
- Cet appareil est un appareil à gaz ventilé. Ne brûlez pas de bois ou autres matériaux dans cet appareil.
- Il est primordial de garder propres les compartiments de contrôle, les brûleurs, la soufflerie, les bouches d'air de l'appareil ainsi que le système d'évacuation. L'appareil et son système d'évacuation doivent être inspectés avant la première utilisation et au moins une fois l'an par un spécialiste en entretien. Un entretien plus fréquent pourrait être nécessaire en raison des peluches provenant des tapis, literie, etc. L'emplacement de l'appareil doit être gardé libre de tous matériaux combustibles, essence ou autres liquides et vapeurs inflammables.
- Cet appareil ne devra être modifié en aucun cas.
- Cet appareil ne doit pas être raccordé au conduit d'une cheminée desservant un autre appareil de chauffage à combustible solide.
- N'utilisez pas cet appareil si une partie quelconque a été submergée. Contactez immédiatement un technicien de service qualifié pour inspecter l'appareil et pour remplacer toute pièce du système de contrôle et du contrôle du gaz qui aurait été submergée.
- Ne pas opérer l'appareil lorsque la porte vitrée est enlevée, fissurée ou brisée. Le remplacement de la vitre devra être effectué par un technicien de service certifié ou qualifié.
- Ne frappez pas et ne claquez pas la porte vitrée de l'appareil.
- Les portes d'évacuation de pression doivent demeurer fermées pendant le fonctionnement de l'appareil afin d'empêcher les gaz de combustion contenant du monoxyde de carbone de s'infiltrer dans la maison. La température des gaz de combustion s'échappant par ces ouvertures peut aussi causer les matériaux combustibles avoisinants à surchauffer et à prendre feu.
- **Seules les portes/façades certifiées pour cet appareil peuvent être utilisées avec cet appareil.**
- Gardez les matériaux d'emballage hors de la portée des enfants et mettez ces matériaux au rebut de façon sécuritaire. Comme tous les emballages de plastique, ces matériaux ne sont pas des jouets et doivent demeurer hors de la portée des enfants et des bébés.
- Comme dans le cas de tout appareil à combustion, il est recommandé de faire inspecter et entretenir votre appareil régulièrement. De même, installez un détecteur de monoxyde de carbone dans la pièce pour vous protéger, ainsi que votre famille, contre les intoxications.
- Assurez-vous de respecter les dégagements aux matériaux combustibles lorsque vous installez un manteau ou des tablettes au-dessus de l'appareil. Les températures élevées sur le mur ou de l'air au-dessus de l'appareil peuvent faire fondre, décolorer ou endommager les décorations, les téléviseurs ou autres composants électroniques.
- **Une barrière conçu à réduire le risque de brûlures causées par le verre chaud est fourni avec l'appareil et sera installé.**
- **Si la barrière est endommagée, elle devra être remplacée par la barrière conçu par le fabricant pour cet appareil.**
- **L'installation et la réparation devraient être effectuées par un technicien qualifié. L'appareil et son système d'évacuation devraient être inspectés avant l'utilisation initiale et au moins une fois l'an par un professionnel qualifié. Un nettoyage plus réquent peut être requis en raison de la poussière excessive laissée par les moquettes, les couvertures, etc. Il est impératif que les compartiments de contrôle, le brûleur et les passages de circulation d'air soient gardés propres afin de fournir une combustion et une circulation d'air adéquates.**

3.2C

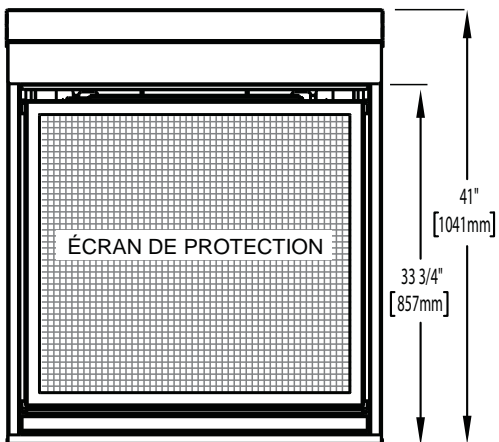
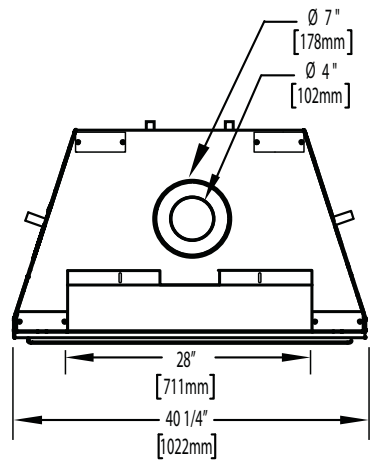
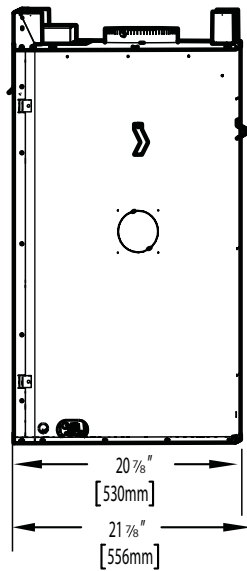
2.1 DIMENSIONS



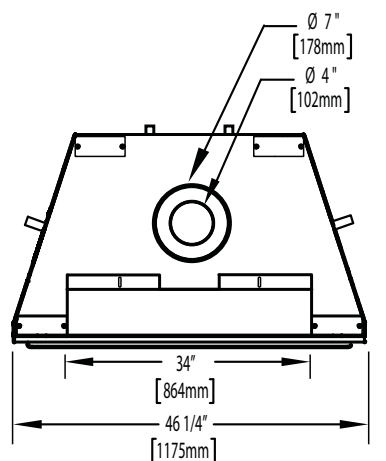
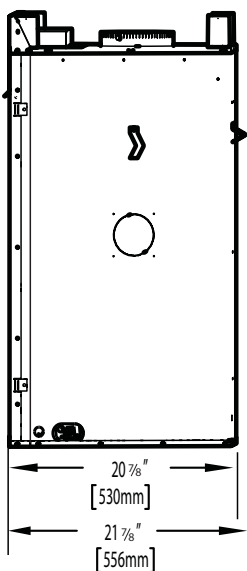
HD35-1 ILLUSTRÉ



HD40-1 ILLUSTRÉ



HD46-1 ILLUSTRÉ



FR

2.2 INSTRUCTIONS GÉNÉRALES

! AVERTISSEMENT

ALLUMEZ TOUJOURS LA VEILLEUSE, QUE CE SOIT POUR LA PREMIÈRE FOIS OU LORSQUE L'APPROVISIONNEMENT EN GAZ EST ÉPUISÉ, AVEC LA PORTE VITRÉE OUVERTE OU RETIRÉE.

**PRÉVOYEZ UN ACCÈS SUFFISANT POUR ENTREtenir ET OPÉRER L'APPAREIL.
ASSUREZ-VOUS D'UNE QUANTITÉ SUFFISANTE D'AIR DE VENTILATION.**

N'OBSTRUEZ JAMAIS L'OUVERTURE DE L'APPAREIL.

LES OBJETS PLACÉS DEVANT L'APPAREIL DOIVENT ÊTRE GARDÉS À UNE DISTANCE D'AU MOINS 48" (1219.2mm) DE LA FACE VITRÉE DE L'APPAREIL.

**LES SURFACES AUTOUR ET SURTOUT AU-DESSUS DE L'APPAREIL PEUVENT DEVENIR CHAUDES.
NE TOUCHEZ PAS L'APPAREIL QUAND IL FONCTIONNE.**

RISQUE D'INCENDIE OU D'EXPLOSION.

LES PRESSIONS ÉLEVÉES ENDOMMAGERONT LA SOUPE. L'ALIMENTATION EN GAZ DOIT ÊTRE DÉBRANCHÉE PENDANT LES ESSAIS DE PRESSION DE CE SYSTÈME LORSQUE LES PRESSIONS D'ESSAI EXCÈDENT ½ LB/PO² (3,5 KPA). FERMEZ LA SOUPE D'ARRÊT MANUELLE PENDANT TOUT ESSAI DE PRESSION DU SYSTÈME D'ALIMENTATION EN GAZ LORSQUE LA PRESSION EST DE ½ LB/PO² (3,5 mb) OU MOINS.

N'UTILISEZ QUE LES ACCESSOIRES OPTIONNELS ET LES PIÈCES DE RECHANGE APPROUVÉS PAR WOLF STEEL POUR CET APPAREIL. L'UTILISATION D'ACCESSOIRES NON LISTÉS (SOUFFLERIE, PORTES, PERSIENNES, MOULURES, COMPOSANTS DE GAZ, COMPOSANTS D'ÉVACUATION, ETC.) POURRAIT ÊTRE NON SÉCURITAIRE ET ANNULERA LA GARANTIE ET LA CERTIFICATION.

L'APPAREIL NE DOIT PAS ÊTRE UTILISÉ AU TEMPÉRATURES AU-DESSOUS DE ZERO (32°F / 0°C). PERMETTRE À L'APPAREIL POUR RÉCHAUFFER AU-DESSUS DE ZERO AVANT LE FONCTIONNEMENT.

CET APPAREIL AU GAZ DEVRAIT ÊTRE INSTALLÉ ET ENTRETENU PAR UN INSTALLATEUR QUALIFIÉ en se conformant aux codes locaux. Les pratiques d'installation peuvent varier d'une région à l'autre. Il est donc important de connaître les normes spécifiques qui s'appliquent à votre région. Par exemple dans l'état du Massachusetts:

- Ce produit doit être installé par un plombier certifié ou un installateur pour le gaz lorsque installé dans le Commonwealth du Massachusetts.
- Le registre de l'appareil doit être enlevé ou bloqué en le soudant en position ouverte avant d'installer un encastré ou un ensemble de bûches à gaz.
- La soupape d'arrêt doit être un robinet à gaz avec une poignée en T.
- Le raccord flexible ne doit pas mesurer plus que 36 pouces (914.4mm).
- Un détecteur de monoxyde de carbone est requis dans toutes les pièces contenant des appareils alimentés au gaz.
- L'appareil n'est pas approuvé pour installation dans une chambre à coucher ou une salle de bain à moins d'être un appareil avec une chambre de combustion scellée à évacuation directe.

L'installation doit se conformer aux codes locaux. En l'absence de codes locaux, l'installation doit être conforme au Code d'installation du gaz naturel et du propane CSA B149.1 au Canada ou au National Fuel Gas Code, ANSI Z223.1/ NFPA 54 aux États-Unis. Cet appareil convient pour installation dans une maison mobile si l'installation est conforme aux normes actuelles pour les maisons mobiles équipées au gaz CAN/CSA Z240 SÉRIE MM au Canada ou selon les normes ANSI Z223.1 et NFPA 54 aux États-Unis.

Tant que les distances requises pour les dégagements aux matériaux combustibles sont respectées, le meilleur endroit pour un appareil est le centre de la maison, car ceci permet une meilleure utilisation de la chaleur fournie. L'emplacement des fenêtres, des portes et la circulation dans la pièce où se trouve l'appareil devront être pris en considération. Si possible, vous devriez choisir un emplacement où le système d'évent peut passer à travers la maison sans avoir à découper des solives de plancher ou de toit.

Si l'appareil est installé directement sur un tapis, sur une surface de vinyle ou tout autre revêtement de plancher combustible autre que le bois, l'appareil devra être monté sur un panneau continu de métal ou de bois se prolongeant sur toute la largeur et la profondeur.

Certains appareils ont une soufflerie ou un ensemble de deux souffleries optionnel. Si la soufflerie ou l'ensemble de deux souffleries optionnel est installé, la boîte de dérivation doit être branchée au circuit électrique et mise à la terre conformément aux codes locaux. Utilisez la version courante du Code canadien de l'électricité CSA C22.1 au Canada ou le National Electrical Code ANSI/NFPA 70 aux États-Unis.



Nous suggérons que nos appareils au gaz soient installés et que l'entretien soit effectué par des professionnels certifiés par le National Fireplace Institute® (NFI) comme spécialiste du gaz NFI.

2.3 INFORMATIONS GÉNÉRALES

POUR VOTRE SATISFACTION, CET APPAREIL A ÉTÉ MIS À L'ESSAI POUR CONFIRMER SON FONCTIONNEMENT ET SA QUALITÉ!

Cet appareil est homologué pour une installation dans les salles de bain, les chambres à coucher ou les chambres studio et convient pour installation dans les maisons mobiles.

Ces appareils sont munis d'une vitre de verre trempé. Vous pouvez vous procurer une vitre de remplacement auprès de votre détaillant ou distributeur autorisé; consultez la liste des pièces de rechange. N'utilisez pas de matériaux substitués.

Cet appareil ne peut pas être converti à un autre type de gaz à moins d'utiliser un ensemble de conversion certifié.

Les bruits causés par l'expansion et la contraction lors des cycles de chauffage et de refroidissement sont tout à fait normaux et d'usage. Le changement de l'apparence de la flamme de « HI » à « LO » est plus évident pour le gaz naturel que pour le propane.

N'utilisez que des accessoires homologués et conçus pour votre modèle d'appareil.

Hautes altitudes

Les débits sont indiqués en BTU/heure et sont certifiés jusqu'à 4 500 PI (1 372 M) au dessus du niveau de la mer sans avoir à réduire le débit. Lorsque l'appareil est installé à une altitude dépassant 4 500 PI (1 372 M), et en absence de recommandations précises de l'autorité compétente locale, le débit à haute altitude devra être réduit pour 4% pour chaque tranche de 1 000 PI supplémentaire.

SPÉCIFICATIONS POUR LE GAZ						EFFICACITÉS		
Model	Fuel	Contrôle Du Gaz	Entrée Max. BTU/h	Entrée Min. BTU/h	Réglage Du Volet D'Air	Model	État Stationnaire(%)	AFUE%**
HD35-1NT	Nat	IPI Hi/Lo	25,000	17,500	1/8" (3mm) Ouvert	HD35-1NT	82.1%	77.2%
HD35-1PT	Prop*	IPI Hi/Lo	25,000	17,500	5/16" (8mm) Ouvert	HD35-1PT	82.1%	77.2%
HD40-1NT	Nat	IPI Hi/Lo	27,000	18,900	1/8" (3mm) Ouvert	HD40-1NT	80.5%	76.3%
HD40-1PT	Prop*	IPI Hi/Lo	27,000	18,900	3/8" (10mm) Ouvert	HD40-1PT	80.5%	76.3%
HD46-1NT	Nat	IPI Hi/Lo	30,000	21,000	1/8" (3mm) Ouvert	HD46-1NT	82.9%	79.2%
HD46-1PT	Prop*	IPI Hi/Lo	30,000	21,000	3/8" (10mm) Ouvert	HD46-1PT	82.9%	79.2%

IPI – système de veilleuse intermittent

* En utilisant un ensemble de conversion

** Valeurs maximales

La conversion doit être effectuée par un technicien de service qualifié à l'aide de pièces Wolf Steel certifiées.

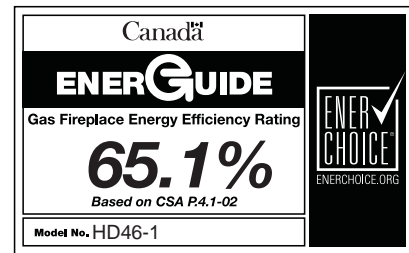
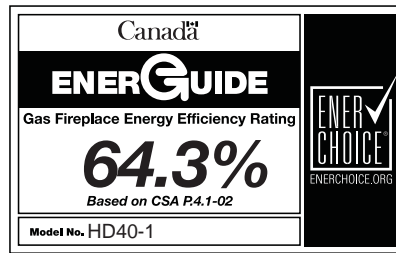
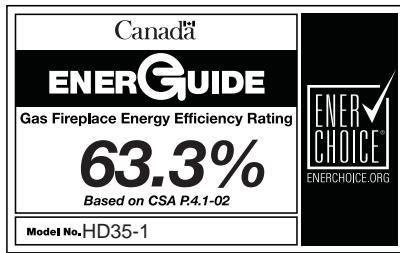
PRESSION D'ALIMENTATION ET AU COLLECTEUR		
	Natural	Propane
Pression D'Alimentation Minimale	4.5" (11mb) w.c.	11" (27mb) w.c.
Pression D'Alimentation Maximale	7" (17mb) w.c.	13" (32mb) w.c.
Pression D'Admission	3.5" (9mb) w.c.	10" (25mb) w.c.

La soufflerie optionnelle est fournie avec un cordon d'alimentation.

La boîte de dérivation doit être branchée au circuit électrique et mise à la terre conformément aux codes locaux.

En l'absence de codes locaux, utilisez la version courante du CODE CANADIEN DE L'ÉLECTRICITÉ CSA C22.1 au Canada ou du NATIONAL ELECTRICAL CODE ANSI/NFPA 70 aux États-Unis.

Cet appareil est muni d'un système d'alimentation de secours. Deux piles de 1,5 volt de format D (non fournies) doivent être insérées dans le compartiment à piles du système. Utilisez uniquement des piles alcalines



FR

2.4 INFORMATION À PROPOS DE LA PLAQUE

CONFORMS TO / CONFORME AUX: ANSI Z21.50-2014, CERTIFIED TO / CERTIFIÉ CSA 2.22-2014 VENTED GAS FIREPLACE / FOYER À GAZ VENTILÉ ES:

DIRECT VENT GAS FIREPLACE - SUITABLE FOR BEDROOM, BATHROOM AND BED-SITTING ROOM INSTALLATION. SUITABLE FOR MOBILE HOME INSTALLATION IF INSTALLED IN ACCORDANCE WITH THE CURRENT STANDARD CAN/CSA Z240MH SERIES GAS EQUIPPED MOBILE HOMES. IN CANADA OR IN THE UNITED STATES THE MANUFACTURED HOME CONSTRUCTION AND SAFETY STANDARD, TITLE 24 CFR, PART 3280. WHEN THIS US STANDARD IS NOT APPLICABLE USE THE STANDARD FOR FIRE SAFETY CRITERIA FOR MANUFACTURED HOME INSTALLATIONS, SITES AND COMMUNITIES, ANSI / NFPA 501A. WHEN INSTALLED WITH SCREEN KIT GD-565KT, THE FIREPLACE COMPLIES WITH CGA CERTIFICATION REQUIREMENT CR95-006. FOR USE ONLY WITH BARRIER W565-0175. FOLLOW THE INSTALLATION INSTRUCTIONS LOCATED IN THE INSTALLATION MANUAL.

FOYER À GAZ VENTILÉ. HOMOLOGUÉ POUR INSTALLATION DANS UNE CHAMBRE À COUCHER, UNE SALLE DE BAIN ET UN STUDIO. APPROPRIÉ POUR INSTALLATION DANS UNE MAISON MOBILE SI SON INSTALLATION EST CONFORME AUX EXIGENCES DE LA NORME CAN/CSA Z240MH SÉRIE DE MAISONS MOBILES ÉQUIPÉES AU GAZ, EN VIGUEUR AU CANADA OU AUX ÉTATS-UNIS. SELON LA NORME DE SÉCURITÉ ET DE CONSTRUCTION DE MAISONS MANUFACTURÉES, TITRE 24 CFR, SECTION 3280. DANS LE CAS OÙ CETTE NORME DES ÉTATS-UNIS NE PEUT ÊTRE APPLIQUÉE, SE RÉFÉRER À LA NORME RELATIVE AU CRITÈRE DE MESURES DE SÉCURITÉ CONTRE INCENDIE POUR LES INSTALLATIONS DANS LES MAISONS MANUFACTURÉES, LES SITES ET LES COMMUNAUTÉS, ANSI/NFPA 501A. LORSQU'IL EST INSTALLÉ AVEC LE PARÉ-ÉTINCELLES GD-565KT, LE FOYER EST CONFORME À LA NORME DE CERTIFICATION DE L'ACG CR95-006. POUR UNE UTILISER SEULEMENT AVEC BARRIÈRE W565-0175. SUIVRE LES INSTRUCTIONS D'INSTALLATION SE TROUVENT DANS LE MANUEL D'INSTALLATION.

CERTIFIED FOR / CERTIFIÉ POUR CANADA USA

REFERENCE # 161746

Natural Gas/Gaz Naturel HD46NT CHD46NT **Propane** HD46PT CHD46PT

MODEL

ALTITUDE / ELEVATION INPUT/ALIMENTATION RÉDUITE

0-4500 FT (0-1370m) 30,000 BTU/h
 0-4500 FT (0-1370m) 21,000 BTU/h

MANIFOLD PRESSURE: 3.5" WATER COLUMN
 PRESSION AU COLLECTEUR: 3.5" D'UNE COLONNE D'EAU
 MINIMUM SUPPLY PRESSURE: 4.5" WATER COLUMN
 PRESSION D'ALIMENTATION MINIMALE: 4.5" D'UNE COLONNE D'EAU
 MAXIMUM SUPPLY PRESSURE: 7.0" WATER COLUMN
 PRESSION D'ALIMENTATION MAXIMALE: 7.0" D'UNE COLONNE D'EAU
 P4: 65.1%

MANIFOLD PRESSURE: 10" WATER COLUMN
 PRESSION AU COLLECTEUR: 10" D'UNE COLONNE D'EAU
 MINIMUM SUPPLY PRESSURE: 11" WATER COLUMN
 PRESSION D'ALIMENTATION MINIMALE: 11" D'UNE COLONNE D'EAU
 MAXIMUM SUPPLY PRESSURE: 13" WATER COLUMN
 PRESSION D'ALIMENTATION MAXIMALE: 13" D'UNE COLONNE D'EAU
 P4: 65.1%

THIS VENTED GAS FIREPLACE IS NOT FOR USE WITH AIR FILTERS AND NOT FOR USE WITH SOLID FUEL. FOR USE WITH GLASS DOORS CERTIFIED WITH THIS UNIT ONLY

CE FOYER À GAZ VENTILÉ NE DOIT PAS ÊTRE UTILISÉ AVEC DES FILTRES À AIR ET NE DOIT PAS ÊTRE UTILISÉ AVEC UN COMBUSTIBLE SOLIDE. UTILISER AVEC LES PORTES VITRÉES HOMOLOGUÉES AVEC CETTE UNITÉ SEULEMENT.

WARNING: DO NOT ADD ANY MATERIAL TO THE APPLIANCE, WHICH WILL COME IN CONTACT WITH THE FLAMES, OTHER THAN THAT SUPPLIED BY THE MANUFACTURER WITH THE APPLIANCE.
 DECORATIVE PRODUCT: NOT FOR USE AS A HEATING APPLIANCE
 MINIMUM CLEARANCE TO COMBUSTIBLE MATERIALS / DEGAGEMENTS MINIMAUX DES MATÉRIAUX COMBUSTIBLES:

TOP/DESSUS 0 RECESSED DEPTH / PROFONDEUR D'ENCASTRE 20%"
 FLOOR / PLANCHER 0 VENT SIDES / COTES DE L'ÉVENT 1"
 SIDES / COTES 0 VENT TOP / DESSUS DE L'ÉVENT 2"
 BACK / ARRIÈRE 0 VENT BOTTOM / DESSOUS DE L'ÉVENT 1"
 MANTLE / MANTEAU 13"

*MAXIMUM HORIZONTAL EXTENSION / EXTENSION HORIZONTALE MAXIMALE: 2".
 SEE INSTRUCTION MANUAL FOR GREATER EXTENSIONS. S.E. RÉFÉRER AU MANUEL D'INSTALLATION POUR DES EXTENSIONS PLUS GRANDES.
 SEE OWNER'S INSTRUCTION MANUAL FOR MINIMUM AND MAXIMUM VENT LENGTHS.
 SEE REFÉRER AU MANUEL D'INSTALLATION DU PROPRIÉTAIRE POUR LES LONGUEURS D'ÉVACUATION MINIMALE ET MAXIMALE.

WOLF STEEL LTD.
 24 Napoleon Rd. Barrie,
 Ontario L4M 0G8 Canada

WOLF STEEL USA
 103 Miller Drive,
 Crittenden, Kentucky, USA, 41030

ELECTRICAL RATING / CLASSIFICATION: 115V, 60HZ, LESS THAN 12 AMPS.
 SPECIFICATIONS ELECTRIQUES: 115 V, 60 HZ, MOINS DE 12 A.
 OPTIONAL FAN KIT / SOUFFLERIE OPTIONNELLE: GZ550-KT, GD45

SERIAL NUMBER/NO. DE SÉRIE: HD46

W385-1995

INSTALLATEUR : Il est de votre responsabilité de cocher les cases appropriées sur la plaque d'homologation correspondant au modèle, au type d'évacuation et au type de gaz de l'appareil.

Pour l'emplacement de la plaque d'homologation, voir la section « VUE D'ENSEMBLE DE L'INSTALLATION ».

Cette illustration est à titre de référence seulement. Consultez la plaque d'homologation pour obtenir l'information précise.

NOTE: La plaque d'homologation doit rester avec l'appareil à tout instant. Il ne doit pas être enlevé.

Un écran de protection conçu pour réduire le risque de brûlures causées par le contact du verre chaud est fourni avec l'appareil et doit être installé.

3.0 ÉVACUATION

AVERTISSEMENT

RISQUE D'INCENDIE. CONSERVEZ LES DÉGAGEMENTS NÉCESSAIRES AU CONDUIT D'ÉVENT ET À L'APPAREIL.

SI LE SYSTÈME D'ÉVENT EST FOURNI AVEC DES ESPACEURS, LES COURSES HORIZONTALES ET VERTICALES DU SYSTÈME DOIVENT ÊTRE SUPPORTÉES À TOUS LES 3 PI (0,9m). UTILISEZ DES SUPPORTS OU DES ATTACHES INCOMBUSTIBLES ÉQUIVALENTS AFIN DE MAINTENIR LE DÉGAGEMENT AUX MATÉRIAUX COMBUSTIBLES. UTILISEZ L'ENSEMBLE DE SUPPORT MURAL WOLF STEEL W010-0370 OU DES SUPPORTS INCOMBUSTIBLES ÉQUIVALENTS AFIN DE CONSERVER LE DÉGAGEMENT MINIMAL AUX MATÉRIAUX COMBUSTIBLES POUR LES COURSES VERTICALES ET HORIZONTALES. DES ESPACEURS SONT FIXÉS AU CONDUIT INTÉRIEUR À INTERVALLES PRÉDÉTERMINÉS AFIN DE GARDER UN ESPACE VIDE AVEC LE CONDUIT EXTÉRIEUR. POUR QUE LE FONCTIONNEMENT SOIT SÉCURITAIRE, UN ESPACE VIDE EST REQUIS. UN ESPACEUR EST REQUIS AU DÉBUT, AU MILIEU ET À LA FIN DE CHAQUE COUDE AFIN DE MAINTENIR CET ESPACE VIDE. N'ENLEVEZ PAS CES ESPACEURS.

CET APPAREIL UTILISE UN SYSTÈME DE CONDUITS DE 4" (102mm) POUR L'ÉVACUATION ET DE 7" (178mm) POUR LA PRISE D'AIR.

Veillez consulter la section qui correspond à votre installation.

Afin d'assurer un fonctionnement sécuritaire et adéquat de l'appareil, vous devez observer les instructions d'évacuation à la lettre. Un changement à la longueur verticale minimale de l'évacuation pourrait entraîner des problèmes d'allumage du brûleur et/ou des accumulations de carbone. Sous des configurations d'évacuation extrêmes, allouez de 5 à 15 minutes pour que la flamme se stabilise après l'allumage. Il est suggéré fortement de les événements qui passent à travers des espaces non chauffés (greniers, garages, espaces réduits) devraient être recouverts d'un manchon isolant pour minimiser la condensation. Prévoyez un moyen d'inspecter visuellement le raccord des événements à l'appareil après que ce dernier a été installé. Utilisez un espaceur coupe-feu, un protecteur de conduit d'évacuation ou un écran thermique de grenier lorsque les murs intérieurs, le plancher ou le plafond sont traversés.

La terminaison peut être peinte avec une peinture haute température pour faire correspondre les couleurs extérieures. Utilisez une peinture extérieure pour 400°F (200°C). Application et performance de la peinture est la responsabilité du consommateur. Spot test est recommandé.

NOTE : Si, pour une raison quelconque, le système d'évents de prise d'air est démonté, réinstallez-le selon les instructions fournies dans l'installation initiale.

7.1E

3.1 LONGUEURS DES CONDUITS D'ÉVACUATION ET COMPOSANTS

Utilisez uniquement des composants d'évacuation Wolf Steel, Simpson Dura-Vent, Selkirk Direct Temp, American Metal Amerivent ou Metal-Fab. Les minimums et maximums des longueurs d'évent, pour les installations verticales et horizontales, et les emplacements des terminaisons pour les deux systèmes sont précisés dans ce manuel et doivent être respectés. Pour le Simpson Duravent, le Selkirk Direct Temp, l'American Metal Amerivent et le Metal-Fab, suivez la procédure d'installation fournie avec les composants d'évacuation.

Un adaptateur de départ est nécessaire et peut être acheté chez le fournisseur correspondant :

PIÈCE	4"/7"	FOURNISSEUR	SITE WEB
Duravent	W175-0053	Wolf Steel	www.duravent.com
Amerivent	4DSC-N2	American Metal	www.americanmetalproducts.com
Direct Temp	4DT-AAN	Selkirk	www.selkirkcorp.com
SuperSeal	4DNA	Metal-Fab	www.mtlfab.com

Pour le Simpson Dura-Vent, le Selkirk Direct Temp, l'American Metal Amerivent et le Metal-Fab, suivez la procédure d'installation qui se trouve sur le site Web de votre fournisseur.

Pour les systèmes d'évents dont le conduit intérieur d'évacuation possède déjà des joints scellés, seuls les joints du conduit extérieur de prise d'air doivent être scellés avec un scellant de silicone rouge à haute température (RTV). Ce même scellant peut être utilisé sur les joints des conduits intérieurs et extérieurs de tous les autres systèmes d'évents approuvés à l'exception du raccordement du conduit d'évacuation à la buse du foyer qui doit être scellé avec le scellant noir à haute température Mill Pac. Le scellant à haute température doit être commandé séparément.

Lorsque vous utilisez des composants d'évacuation de Wolf Steel, n'utilisez que des composants flexibles/rigides d'évacuation Wolf Steel Itée conjointement avec les ensembles de terminaison suivants : les ensembles de terminaison murale **GD222**, **GD222R**, ou l'ensemble de terminaison pour toit de pente 1/12 à 7/12 **GD110**, l'ensemble de terminaison pour toit de pente 8/12 à 12/12 **GD111**, l'ensemble de terminaison pour toit plat **GD112** ou l'ensemble périscopique **GD201** (pour pénétration des murs sous le niveau du sol). Lorsque vous utilisez des conduits flexibles, conjointement avec les différentes terminaisons, utilisez l'ensemble d'événements de 5PI (1,5m) **GD220** ou l'ensemble d'événements de 10PI (3,1m) **GD330**.

Pour une performance optimale de l'appareil et une apparence optimale des flammes, gardez la longueur des événements et le nombre de coudes au minimum. La prise d'air de la terminaison extérieure doit demeurer dégagée en tout temps. Vérifiez la prise d'air de la terminaison au moins une fois l'an pour vous assurer qu'elle n'est pas obstruée ni endommagée.

Ne combinez pas de composants rigides ou flexibles ni de composants d'évacuation provenant de fabricants différents.

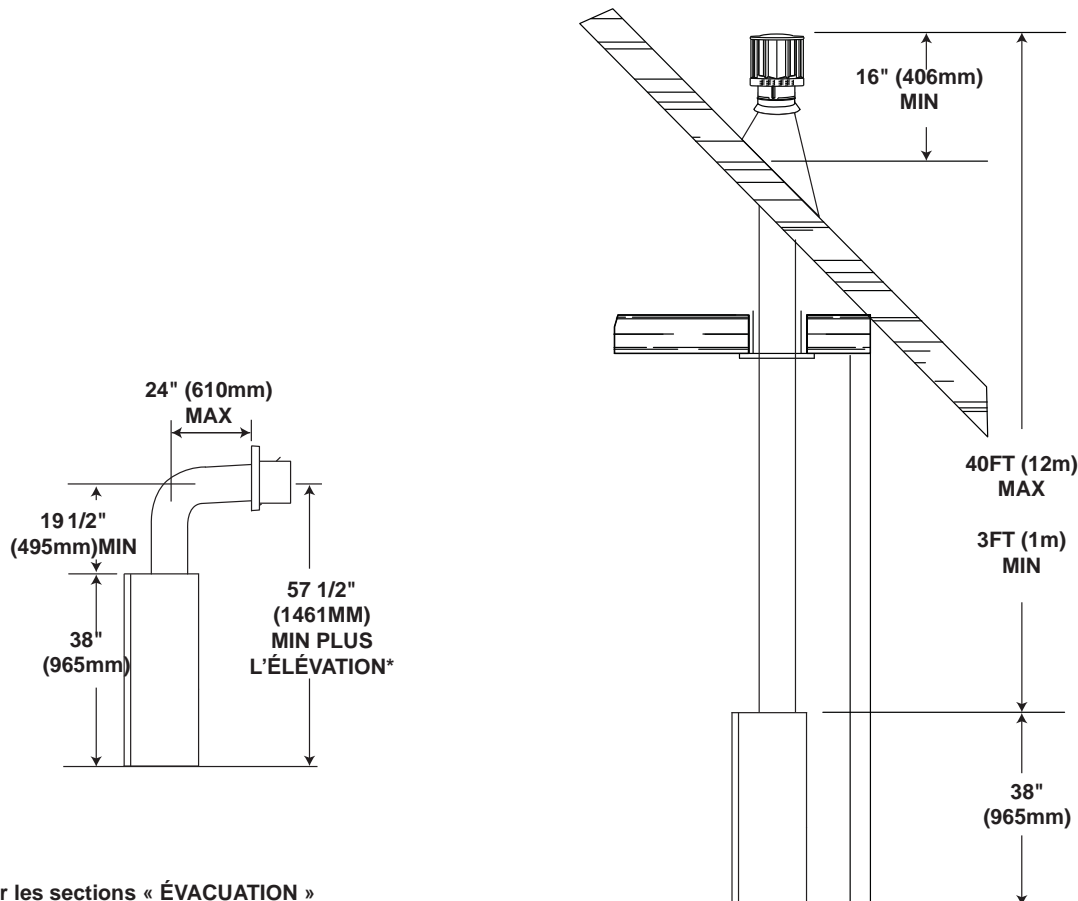
Ces ensembles d'événements permettent soit une évacuation verticale, soit une évacuation horizontale de l'appareil. La course horizontale doit être conservée à un maximum de 20PI (6,1m). La hauteur totale permise pour un événement vertical est de 40PI (12,2m). Lorsque vous utilisez des composants flexibles, le nombre maximal de raccords est de deux horizontalement ou trois verticalement (excluant les raccords à l'appareil et à la section de terminaison).

8.1B

Les courses horizontales peuvent avoir une élévation de 0 po par pied. Cependant, pour un rendement optimal, il est recommandé que toutes les courses horizontales aient une élévation minimale par pied de 1/4 po (6 mm) en utilisant des événements flexibles ou rigides. Afin d'assurer un fonctionnement sécuritaire et adéquat de l'appareil, vous devez observer les instructions d'évacuation à la lettre.

Quand l'évacuation se termine à la verticale, l'élévation verticale est d'un minimum de 3 pi (1 m) et d'un maximum de 40 pi (12 m) à partir du dessus de l'appareil.

3.2 INSTALLATIONS TYPIQUES D'ÉVÉNEMENTS

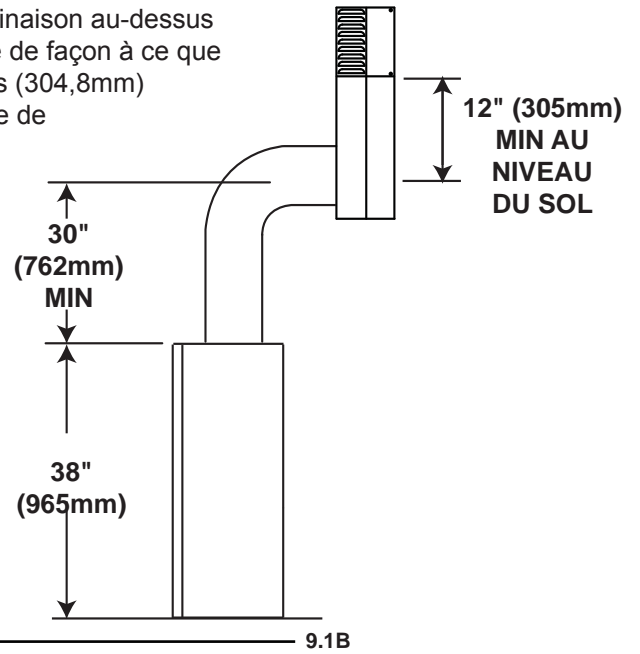


* Voir les sections « ÉVACUATION »

3.3 INSTALLATIONS PARTICULIÈRES D'ÉVENTS

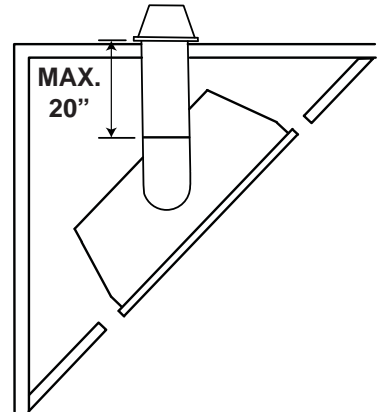
3.3.1 ENSEMBLE PÉRISCOPIQUE

Utilisez l'ensemble périscopique afin de positionner la terminaison au-dessus du niveau du sol. L'ensemble périscopique doit être installé de façon à ce que la fente d'air du bas soit située à un minimum de 12 pouces (304,8mm) au-dessus du niveau du sol. La longueur maximale permise de l'évent est 10 pieds (3,1m) pour un foyer et 8 pieds (2,4m) pour un poêle.



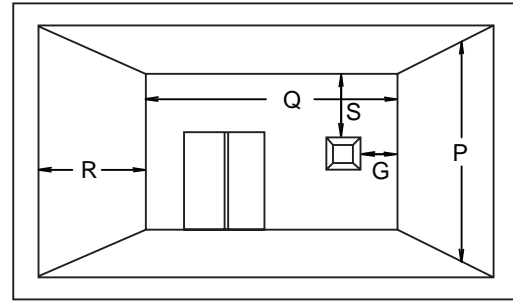
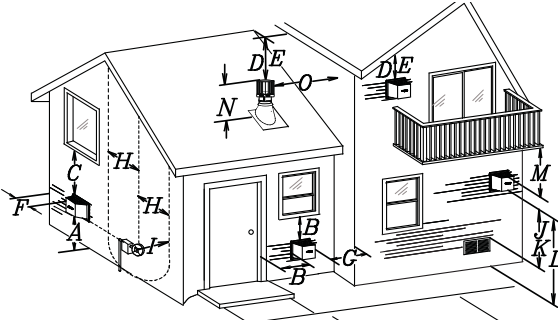
3.3.2 TERMINAISON EN COIN

La longueur maximale de l'évent pour une installation en coin est de 20 po (508 mm) de course horizontale avec une élévation minimale de 19 1/2 po (495 mm).



3.4 EMBLACEMENTS ET DÉGAGEMENTS MINIMAUX DE LA TERMINAISON

APPLICATIONS POUR BALCON COUVERT ††*



$$Q_{\text{MIN}} = 3 \text{ pieds (0,9m)} \quad R_{\text{MAX}} = 2 \times Q_{\text{RÉELLE}} \quad R_{\text{MAX}} \leq 15 \text{ pieds (4,6m)}$$

INSTALLATION		
CANADA	É.-U.	
A	12" (304,8mm)	Dégagement au-dessus du sol, d'une véranda, d'une terrasse en bois ou d'un balcon.
B	12" (304,8mm) ^Δ	Dégagement des fenêtres ou des portes qui ouvrent.
C	12" (304,8mm)*	Dégagement des fenêtres fermées en permanence.
D	18" (457,2mm)**	Dégagement vertical d'un soffite ventilé situé au-dessus de la terminaison si la distance horizontale est de moins de 2' (0,6m) de la ligne médiane de la terminaison.
E	12" (304,8mm)**	Dégagement d'un soffite non ventilé.
F	0" (0mm)	Dégagement des murs faisant coin extérieur.
G	0" (0mm)***	Dégagement des murs extérieurs incombustibles faisant coin intérieur ou aux obstructions incombustibles (cheminée, etc.).
	2" (50,8mm)***	Dégagement des murs extérieurs combustibles faisant coin intérieur ou aux obstructions combustibles (habillage extérieur, etc.).
H	3' (0,9m)	Dégagement horizontal de chaque côté depuis la ligne verticale tirée du centre d'un ensemble de régulateur/compteur pour une distance verticale maximale de 15' (4,6m).
I	3' (0,9m)	Dégagement de l'évent du régulateur.
J	12" (304,8mm)	Dégagement d'une prise d'air de ventilation non mécanique de la maison ou d'une prise d'air de combustion de tout autre appareil.
K	6' (1,8m)	Dégagement d'une prise d'air mécanique.
L	7' (2,1m) ‡	Dégagement au-dessus d'un trottoir ou d'une entrée pavée situés sur une propriété publique.
M	12" (304,8mm) ††	Dégagement sous une véranda ou une terrasse en bois.
N	16" (406,4mm)	Dégagement au-dessus du toit.
O	2' (0,6m) †*	Dégagement des murs adjacents, incluant les maisons voisines.
P	8' (2,4m)	Le toit doit être incombustible et sans ouvertures.
Q	3' (0,9m)	Voir le tableau pour les dimensions d'un mur plus large
R	6' (1,8m)	Voir le tableau pour les dimensions d'un mur plus profond. La terminaison ne doit pas être installée sur quelconque mur ayant une ouverture entre la terminaison et le côté ouvert de la structure.
S	12" (304,8mm)	Dégagement sous un balcon couvert.

Δ Pour les structures comportant trois murs et un toit, la terminaison doit être située à plus de 6 pieds (1,8m) sous une fenêtre s'ouvrant sur un plan horizontal.

* Recommandé afin de prévenir la formation de buée dans les fenêtres et les cassures thermiques.

** Il est recommandé d'utiliser un protecteur de chaleur et de maximiser la distance au soffite de plastique.

*** L'ensemble périscopique requiert un dégagement minimal de 18 pouces (457,2mm) d'un mur extérieur faisant coin intérieur.

**** Ceci est une distance recommandée. Vérifiez les codes locaux pour connaître les contraintes additionnelles.

† Trois pieds au-dessus si la distance horizontale est de moins de 10 pieds (3,1m).

‡ Une terminaison d'évacuation ne doit pas être installée à un endroit où elle pourrait causer une formation dangereuse de givre ou de glace sur les surfaces d'une propriété adjacente.

†† Permis seulement si la véranda ou la terrasse en bois sont complètement ouverts sur un minimum de deux côtés sous le plancher.

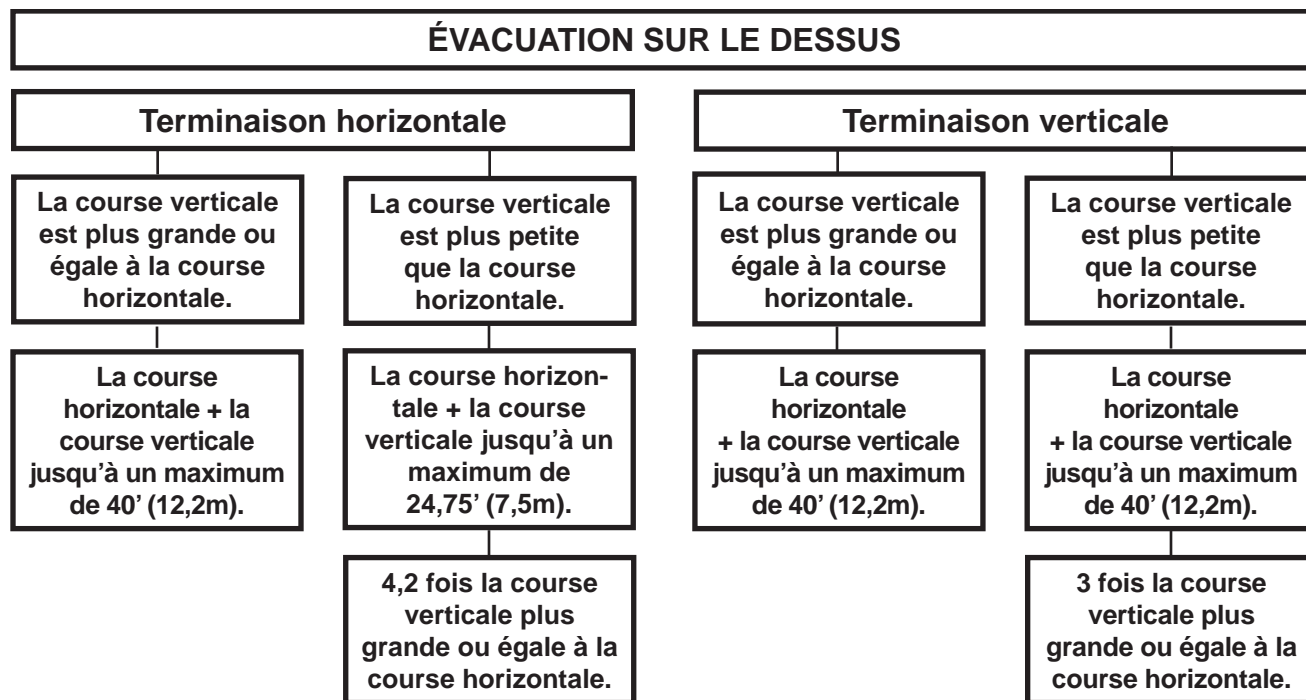
†* Recommandé afin d'éviter la recirculation des produits d'échappement. Vérifiez les codes locaux pour connaître les contraintes additionnelles.

††* Permis seulement si le balcon est complètement ouvert sur au moins un côté.

NOTE : Les dégagements sont en conformité avec les codes d'installation locaux et les exigences du fournisseur de gaz.

12.1D

3.5 CHARTE D'APPLICATION DES ÉVACUATIONS



13.1A

3.6 LÉGENDE

Les symboles suivants sont utilisés dans le calcul et les exemples d'évacuation :

> - plus grand que

≥ - plus grand ou égal à

< - plus petit que

≤ - plus petit ou égal à

H_T - total de la longueur des courses horizontales (H_r) et des déviations (H_o) en pieds

H_R - longueur des courses horizontales combinées en pieds

H_O - facteur de la valeur d'une déviation : 0,03 (du total des degrés de déviation - 90°*) en pieds

V_T - longueur des courses verticales combinées en pieds

14.1

3.7 LONGUEURS DES ÉVÉNEMENTS EN COUDE

	PIEDS	POUCES	MILLIMÈTRES
1°	0,03	0,5	12,7
15°	0,45	6,0	152,4
30°	0,9	11,0	279,4
45°	1,35	16,0	406,4
90°*	2,7	32,0	812,8

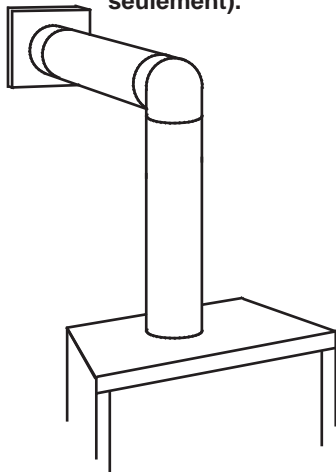
* La première déviation de 90° a une valeur zéro et est illustrée dans la formule comme - 90°

15.1A

3.8 TERMINAISON HORIZONTALE

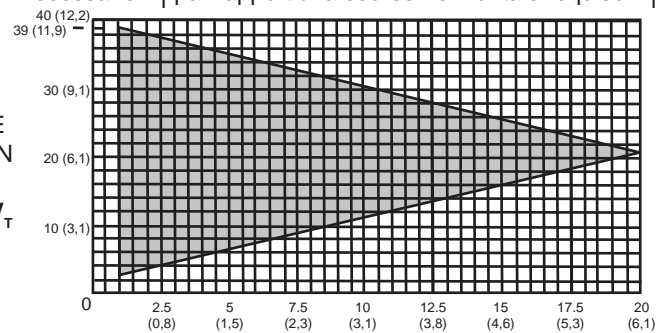
$$(H_T) \leq (V_T)$$

Configuration d'évacuation simple (un coude de 90° seulement).



COURSE VERTICALE REQUISE EN PIEDS (MÈTRES) V_T

Consultez le graphique pour déterminer la course verticale nécessaire V_T par rapport à la course horizontale requise H_T .



LONGUEUR DES COURSES HORIZONTALES PLUS LES DÉVIATIONS EN PIEDS (MÈTRES) H_T

La section ombragée à l'intérieur des lignes représente des valeurs acceptables pour H_T et V_T .

Lorsque la configuration de l'évacuation exige plus d'un coude de 90°, les formules suivantes s'appliquent :

Formule 1 : $H_T \leq V_T$

Formule 2 : $H_T + V_T \leq 40$ pieds (12,2m)

Exemple :

$$V_1 = 3 \text{ PI (0,9m)}$$

$$V_2 = 8 \text{ PI (2,4m)}$$

$$V_T = V_1 + V_2 = 3\text{PI (0,9m)} + 8\text{PI (2,4m)} = 11\text{PI (3,4m)}$$

$$H_1 = 2,5 \text{ PI (0,8m)}$$

$$H_2 = 2 \text{ PI (0,6m)}$$

$$H_R = H_1 + H_2 = 2,5\text{PI (0,8m)} + 2\text{PI (0,6m)} = 4,5 \text{ PI (1,4m)}$$

$$H_o = 0,03 \text{ (trois coudes } 90^\circ - 90^\circ) = 0,03 (270^\circ - 90^\circ) = 5,4 \text{ PI (1,6m)}$$

$$H_T = H_R + H_o = 4,5\text{PI (1,4m)} + 5,4\text{PI (1,6m)} = 9,9 \text{ PI (3m)}$$

$$H_T + V_T = 9,9\text{PI (3m)} + 11\text{PI (3,4m)} = 20,9 \text{ PI (6,4m)}$$

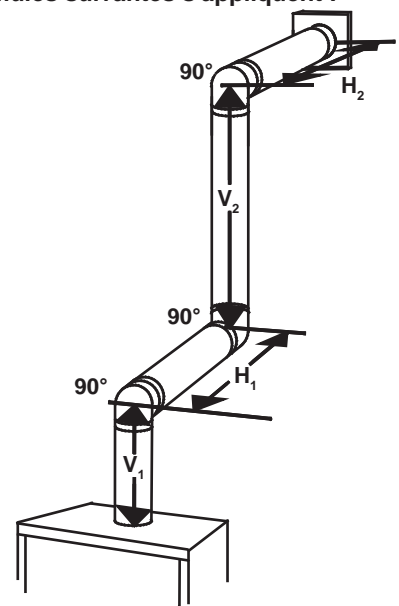
Formule 1 : $H_T \leq V_T$

$$9,9\text{PI (3m)} \leq 11\text{PI (3,4m)}$$

Formule 2 : $H_T + V_T \leq 40 \text{ PI (12,2m)}$

$$20,9\text{PI (6,4m)} \leq 40 \text{ PI (12,2m)}$$

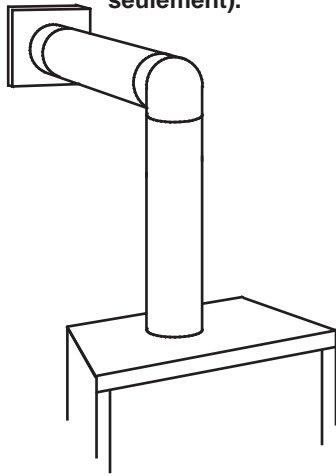
Puisque les deux formules sont respectées, cette configuration d'évacuation est acceptable.



16.1B

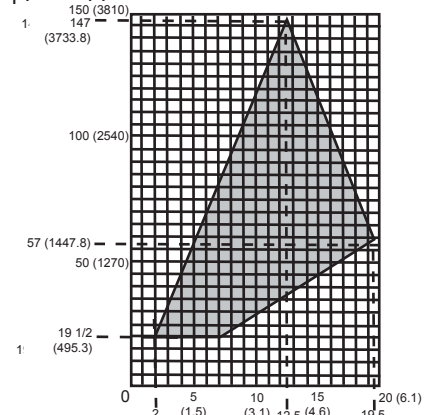
$$(H_T) > (V_T)$$

Configuration d'évacuation simple (un coude de 90° seulement).



Consultez le graphique pour déterminer la course verticale nécessaire V_T par rapport à la course horizontale requise H_T .

COURSE VERTICALE REQUISE EN POUCHES (MILLIMÈTRES) V_T



LONGUEUR DES COURSES HORIZONTALES PLUS LES DÉVIATIONS EN PIEDS (MÈTRES) H_T
La section ombragée à l'intérieur des lignes représente des valeurs acceptables pour H_T et V_T .

Lorsque la configuration de l'évacuation exige plus d'un coude de 90°, les formules suivantes s'appliquent :

Formule 1: $H_T \leq 4,2 V_T$

Formule 2: $H_T + V_T \leq 24,75$ pieds (7,5m)

Exemple:

$$V_1 = V_T = 6 \text{ PI (1,8m)}$$

$$H_1 = 3 \text{ PI (0,9m)}$$

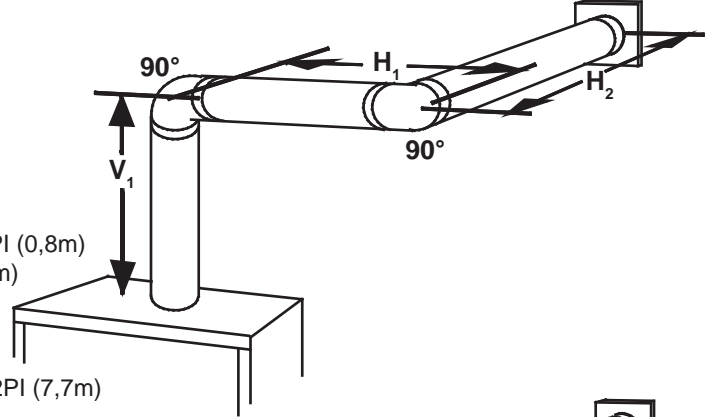
$$H_2 = 5 \text{ PI (1,5m)}$$

$$H_R = H_1 + H_2 = 3 \text{ PI (0,9m)} + 5 \text{ PI (1,5m)} = 8 \text{ PI (2,4m)}$$

$$H_0 = .03 \text{ (two } 90^\circ \text{ elbows - } 90^\circ) = .03 \text{ (180}^\circ - 90^\circ) = 2,7 \text{ PI (0,8m)}$$

$$H_T = H_R + H_0 = 8 \text{ PI (2,4m)} + 2,7 \text{ PI (0,8m)} = 10,7 \text{ PI (3,3m)}$$

$$H_T + V_T = 10,7 \text{ PI (3,3m)} + 6 \text{ PI (1,8m)} = 16,7 \text{ PI (5,1m)}$$



Formule 1: $H_T \leq 4,2 V_T$

$$4,2 V_T = 4,2 \text{ PI (1,3m)} \times 6 \text{ PI (1,8m)} = 25,2 \text{ PI (7,7m)}$$

$$10,7 \text{ PI (3,3m)} \leq 25,2 \text{ PI (7,7m)}$$

Formule 2: $H_T + V_T \leq 24,75$ PI (7,5m)

$$16,7 \text{ PI (5,1m)} \leq 24,75 \text{ PI (7,5m)}$$

Puisque les deux formules sont respectées, cette configuration d'évacuation est acceptable.

Exemple:

$$V_1 = 4 \text{ PI (1,2m)}$$

$$V_2 = 1,5 \text{ PI (0,5m)}$$

$$V_T = V_1 + V_2 = 4 \text{ PI (1,2m)} + 1,5 \text{ PI (0,5m)} = 5,5 \text{ PI (1,7m)}$$

$$H_1 = 2 \text{ PI (0,6m)}$$

$$H_2 = 1 \text{ PI (0,3m)}$$

$$H_3 = 1 \text{ PI (0,3m)}$$

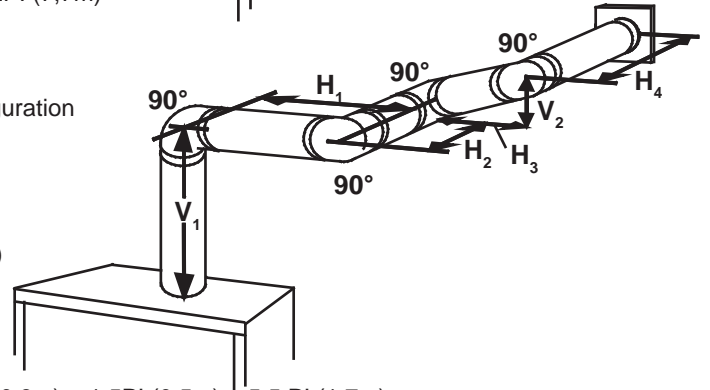
$$H_4 = 1,5 \text{ PI (0,5m)}$$

$$H_R = H_1 + H_2 + H_3 + H_4 = 2 \text{ PI (0,6m)} + 1 \text{ PI (0,3m)} + 1 \text{ PI (0,3m)} + 1,5 \text{ PI (0,5m)} = 5,5 \text{ PI (1,7m)}$$

$$H_0 = 0,03 \text{ (quatre coudes } 90^\circ - 90^\circ) = 0,03 \text{ (360}^\circ - 90^\circ) = 8,1 \text{ PI (2,5m)}$$

$$H_T = H_R + H_0 = 5,5 \text{ PI (1,7m)} + 8,1 \text{ PI (2,5m)} = 13,6 \text{ PI (4,2m)}$$

$$H_T + V_T = 13,6 \text{ PI (4,2m)} + 5,5 \text{ PI (1,7m)} = 19,1 \text{ PI (5,8m)}$$



Formule 1:

$$H_T \leq 4,2 V_T$$

$$4,2 V_T = 4,2 \text{ PI (1,3m)} \times 5,5 \text{ PI (1,7m)} = 23,1 \text{ PI (7m)}$$

$$13,6 \text{ PI (4,2m)} \leq 23,1 \text{ PI (7m)}$$

Formule 2:

$$H_T + V_T \leq 24,75 \text{ PI (7,5m)}$$

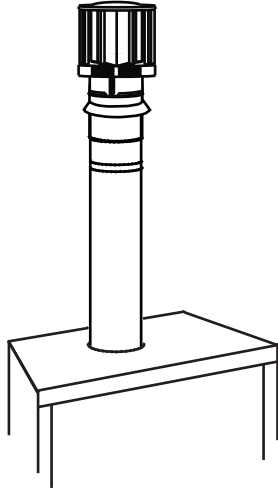
$$19,1 \text{ PI (5,8m)} \leq 24,75 \text{ PI (7,5m)}$$

Puisque les deux formules sont respectées, cette configuration d'évacuation est acceptable.

3.9 ÉVACUATION SUR LE DESSUS TERMINAISON VERTICALE

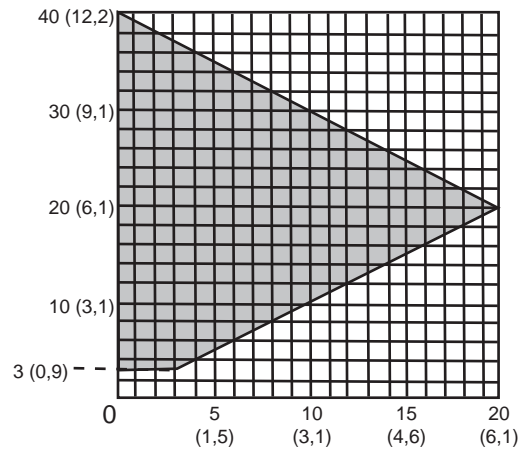
$$(H_T) \leq (V_T)$$

Configuration d'évacuation simple.



COURSE
VERTICALE
REQUISE EN
PIEDS
(MÈTRES) V_T

Consultez le graphique pour déterminer la course verticale nécessaire V_T par rapport à la course horizontale requise H_T .



LONGUEUR DES COURSES HORIZONTALES PLUS LES DÉVIATIONS EN PIEDS (MÈTRES) H_T

La section ombragée à l'intérieur des lignes représente des valeurs acceptables pour H_T et V_T .

Lorsque la configuration de l'évacuation exige plus de zéro coude de 90°, les formules suivantes s'appliquent :

Formule 1 : $H_T \leq V_T$

Formule 2 : $H_T + V_T \leq 40$ pieds (12,2m)

Exemple :

$$V_1 = 5 \text{ PI (1,5m)}$$

$$V_2 = 6 \text{ PI (1,8m)}$$

$$V_3 = 10 \text{ PI (3,1m)}$$

$$V_T = V_1 + V_2 + V_3 = 5\text{PI (1,5m)} + 6\text{PI (1,8m)} + 10\text{PI (3,1m)} = 21 \text{ PI (6,4m)}$$

$$H_1 = 8 \text{ PI (2,4m)}$$

$$H_2 = 2,5 \text{ PI (0,8m)}$$

$$H_R = H_1 + H_2 = 8 \text{ PI (2,4m)} + 2,5 \text{ PI (0,8m)} = 10,5 \text{ PI (3,2m)}$$

$$H_O = 0,03 \text{ (quatre coudes } 90^\circ - 90^\circ)$$

$$= 0,03 (360^\circ - 90^\circ) = 8,1 \text{ PI (2,5m)}$$

$$H_T = H_R + H_O = 10,5\text{PI (3,2m)} + 8,1\text{PI (2,5m)} = 18,6 \text{ PI (5,7m)}$$

$$H_T + V_T = 18,6\text{PI (5,7m)} + 21\text{PI (6,4m)} = 39,6 \text{ PI (12,1m)}$$

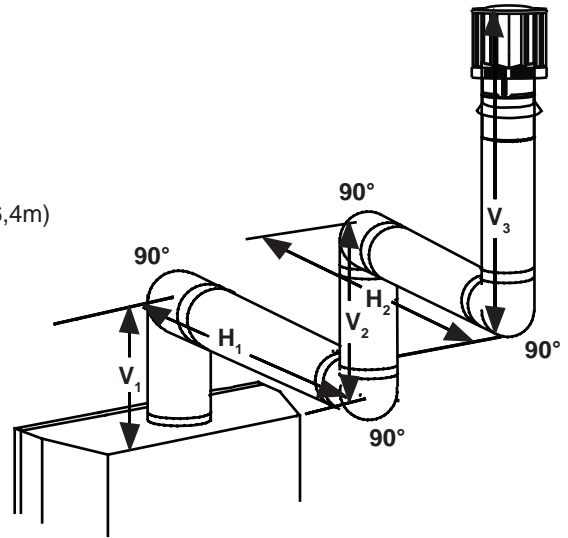
Formule 1 : $H_T \leq V_T$

$$18,6\text{PI (5,7m)} \leq 21\text{PI (6,4m)}$$

Formule 2 : $H_T + V_T \leq 40 \text{ PI (12,2m)}$

$$39,6 \text{ PI (12,1m)} \leq 40 \text{ PI (12,2m)}$$

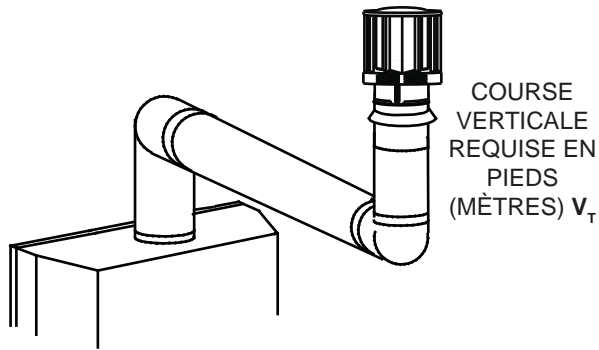
Puisque les deux formules sont respectées, cette configuration d'évacuation est acceptable.



18.1A

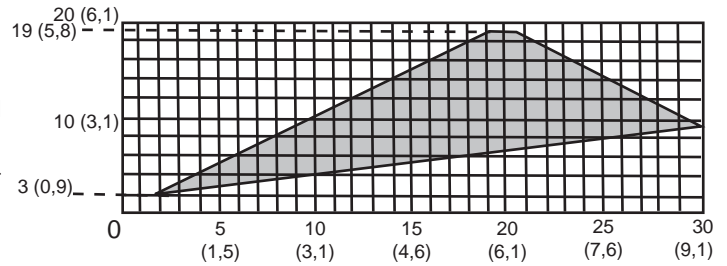
$$(H_T) > (V_T)$$

Configuration d'évacuation simple.



COURSE
VERTICALE
REQUISE EN
PIEDS
(MÈTRES) V_T

Consultez le graphique pour déterminer la course verticale nécessaire V_T par rapport à la course horizontale requise H_T .



LONGUEUR DES COURSES HORIZONTALES PLUS LES DÉVIATIONS EN PIEDS (MÈTRES) H_T

La section ombragée à l'intérieur des lignes représente des valeurs acceptables pour H_T et V_T .

Lorsque la configuration de l'évacuation exige plus de deux coudes de 90°, les formules suivantes s'appliquent :

Formule 1 : $H_T \leq 3V_T$

Formule 2 : $H_T + V_T \leq 40$ pieds (12,2m)

Exemple :

$$V_1 = 2 \text{ PI (0,6m)}$$

$$V_2 = 1 \text{ PI (0,3m)}$$

$$V_3 = 1,5 \text{ PI (0,5m)}$$

$$V_T = V_1 + V_2 + V_3 = 2\text{PI (0,6m)} + 1\text{PI (0,3m)} + 1,5\text{PI (0,5m)} = 4,5 \text{ PI (1,4m)}$$

$$H_1 = 6 \text{ PI (1,8m)}$$

$$H_2 = 2 \text{ PI (0,6m)}$$

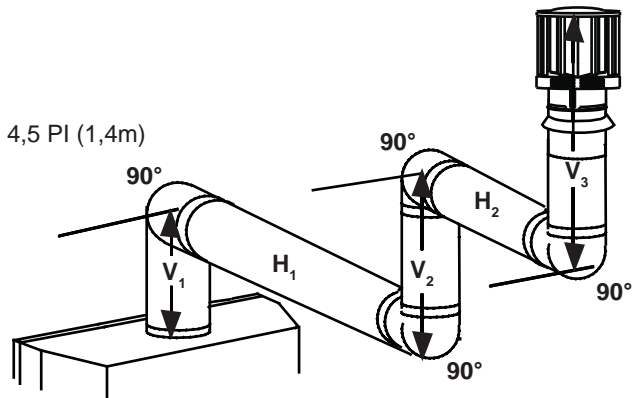
$$H_R = H_1 + H_2 = 6\text{PI (1,8m)} + 2\text{PI (0,6m)} = 8 \text{ PI (2,4m)}$$

$$H_o = 0,03 \text{ (quatre coudes } 90^\circ - 90^\circ)$$

$$= 0,03 (360^\circ - 90^\circ) = 8,1 \text{ PI (2,5m)}$$

$$H_T = H_R + H_o = 8 \text{ PI (2,4m)} + 8,1 \text{ PI (2,5m)} = 16,1 \text{ PI (4,9m)}$$

$$H_T + V_T = 16,1\text{PI (4,9m)} + 4,5\text{PI (1,4m)} = 20,6 \text{ PI (6,3m)}$$



Formule 1 : $H_T \leq 3V_T$

$$3V_T = 3\text{PI (0,9m)} \times 4,5\text{PI (1,4m)} = 13,5 \text{ PI (4,1m)}$$

$$16,1 \text{ PI (4,9m)} \leq 13,5 \text{ PI (4,1m)}$$

Puisque cette formule n'est pas respectée, cette configuration d'évacuation est **inacceptable**.

Formule 2 : $H_T + V_T \leq 40$ pieds (12,2m)

$$20,6 \text{ PI (6,3m)} \leq 40 \text{ PI (12,2m)}$$

Puisque seulement la formule 2 est respectée, cette configuration est inacceptable et l'on devra trouver un autre endroit pour installer l'appareil ou trouver une configuration d'évacuation qui pourra respecter les deux formules.

18.1_2B

3.10 CONFIGURATIONS D'ÉVACUATION COAXIALES À COLINÉAIRES

! AVERTISSEMENT**RISQUE D'INCENDIE!**

LES CONFIGURATIONS D'ÉVACUATION COAXIALES À COLINÉAIRES NE DOIVENT ÊTRE UTILISÉES QUE DANS UNE CHEMINÉE OU UNE ENCEINTE DE NATURE INCOMBUSTIBLE. UNE INSTALLATION DANS UNE ENCEINTE COMBUSTIBLE PEUT CAUSER UN INCENDIE.

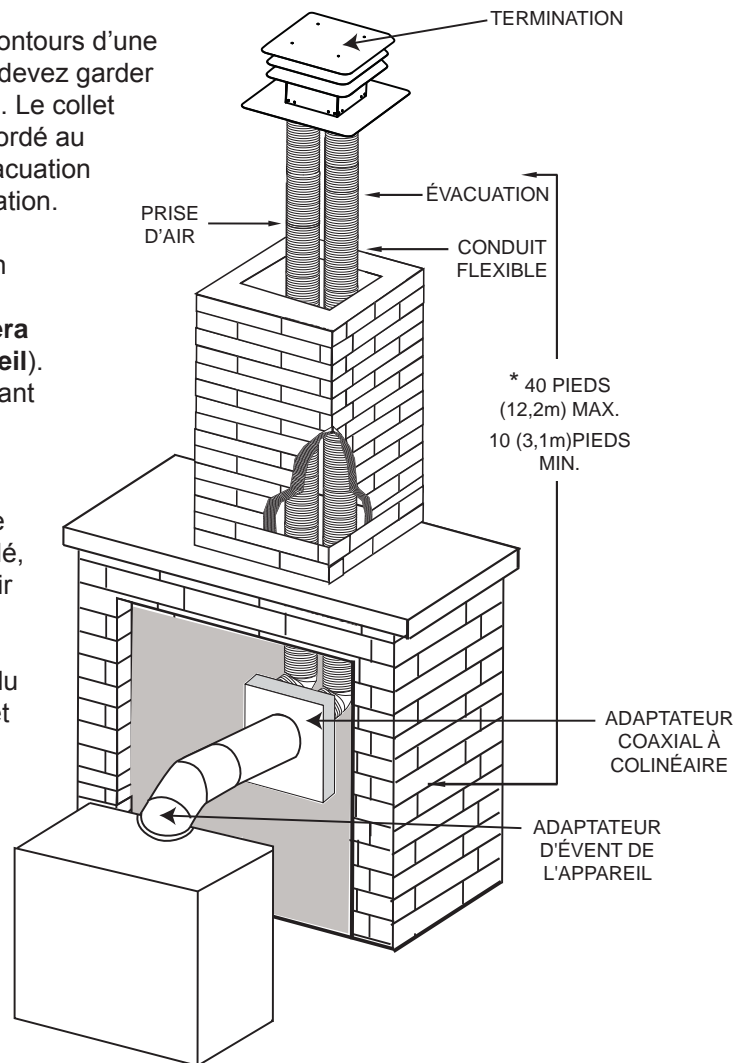
Cet appareil est conçu pour être raccordé à un système d'évent flexible colinéaire de 3" (76,2mm) en aluminium se prolongeant sur toute la longueur de la cheminée de maçonnerie.

Les conduits flexibles s'adaptent à tous les contours d'une cheminée de maçonnerie. Néanmoins, vous devez garder les conduits flexibles aussi droit que possible. Le collet de prise d'air de la terminaison doit être raccordé au conduit flexible de prise d'air et le collet d'évacuation de la terminaison au conduit flexible d'évacuation.

Les adaptateurs colinéaire à coaxial Simpson Duravent et Selkirk sont approuvés pour cet appareil (**NOTE : Un adaptateur d'évent sera nécessaire directement à partir de l'appareil**). Suivez les instructions d'installation du fabricant du système d'évacuation.

Des composants d'évacuation de différents fabricants ne doivent pas être combinés. Une fois que l'adaptateur de votre choix est installé, le reste du système d'évacuation doit provenir du même fabricant.

La seule exception à cette règle est l'usage du système de conduit flexible de 3" (76,2mm) et de terminaison colinéaire Wolf Steel.



7.6B

4.0 INSTALLATION

AVERTISSEMENT

AVANT D'EFFECTUER LES BRANCHEMENTS POUR L'ALIMENTATION EN GAZ ET ÉLECTRIQUE, ASSUREZ-VOUS DE RETIRER TOUTE COMPOSANTE NON FIXÉE À L'INTÉRIEUR DE LA CHAMBRE DE COMBUSTION.

SI VOTRE APPAREIL COMPREND UN SYSTÈME DE TÉLÉCOMMANDE, ASSUREZ-VOUS QUE LE RÉCEPTEUR EST À LA POSITION « OFF » AVANT D'EFFECTUER LES BRANCHEMENTS POUR L'ALIMENTATION EN GAZ ET ÉLECTRIQUE.

AFIN D'ASSURER UN FONCTIONNEMENT SÉCURITAIRE ET ADÉQUAT DE L'APPAREIL, VOUS DEVEZ OBSERVER LES INSTRUCTIONS D'ÉVACUATION À LA LETTRE.

TOUS LES JOINTS DES CONDUITS DOIVENT ÊTRE SCELLÉS AVEC DU SCELLANT DE SILICONE ROUGE À HAUTE TEMPÉRATURE RTV W573-0002 (NON FOURNI) OU DU SCELLANT NOIR À HAUTE TEMPÉRATURE MILL PAC W573-0007 (NON FOURNI) À L'EXCEPTION DU RACCORDEMENT DU CONDUIT D'ÉVACUATION À LA BUSE DE L'APPAREIL QUI DOIT ÊTRE SCELLÉ AVEC LE SCELLANT MILL PAC.

SI VOUS UTILISEZ DES COLLIERES POUR TUYAU POUR RACCORDER LES COMPOSANTS D'ÉVACUATION, VOUS DEVEZ AUSSI INSTALLER TROIS VIS POUR VOUS ASSURER QUE LE RACCORDEMENT NE SE DÉFASSE PAS.

NE SERREZ PAS LA GAINÉ FLEXIBLE.

RISQUE D'INCENDIE, D'EXPLOSION OU D'ASPHYXIE. SI L'ENSEMBLE DU SYSTÈME DE CONDUIT D'ÉVENT N'EST PAS ADÉQUATEMENT SOUTENU, IL RISQUE DE FLÉCHIR OU DE SE SÉPARER. UTILISEZ DES SUPPORTS DE CONDUIT ET RACCORDEZ LES SECTIONS DE CONDUITS SELON LES INSTRUCTIONS D'INSTALLATION.

RISQUE D'INCENDIE. ÉVITEZ QUE L'ISOLANT TOUCHE AU CONDUIT D'ÉVACUATION. RETIREZ L'ISOLANT POUR PERMETTRE L'INSTALLATION DE L'ÉCRAN PROTECTEUR DU GRENIER ET POUR MAINTENIR LES DÉGAGEMENTS AUX MATÉRIAUX COMBUSTIBLES.

68.2D

4.1 PROTECTION DU MUR ET DU PLAFOND

AVERTISSEMENT

NE REMPLISSEZ L'ESPACE ENTRE LE CONDUIT D'ÉVENT ET LA CHARPENTE AVEC AUCUN TYPE DE MATÉRIAU. NE BOURREZ PAS D'ISOLANT NI DE MATÉRIAUX COMBUSTIBLES ENTRE LES ESPACEURS COUPE-FEU DU PLAFOND. CONSERVEZ TOUJOURS LES DÉGAGEMENTS REQUIS AUTOUR DES CONDUITS D'ÉVENT ET L'ASSEMBLAGE DE L'ESPACEUR COUPE-FEU. INSTALLEZ LES ÉCRANS MURAUX ET LES ESPACEURS COUPE-FEU TEL QUE SPÉCIFIÉ. SI VOUS NE GARDEZ PAS L'ISOLANT OU TOUT AUTRE MATÉRIAU À L'ÉCART DU CONDUIT D'ÉVENT, UN RISQUE D'INCENDIE POURRAIT S'ENSUIVRE.

70.1

Pour une performance optimale, toutes les courses horizontales devraient avoir une élévation minimale par pied de 1/4 po (6 m) en utilisant des événements flexibles. Afin d'assurer un fonctionnement sécuritaire et adéquat de l'appareil, vous devez observer les instructions d'évacuation à la lettre.

4.1.1 INSTALLATION HORIZONTALE

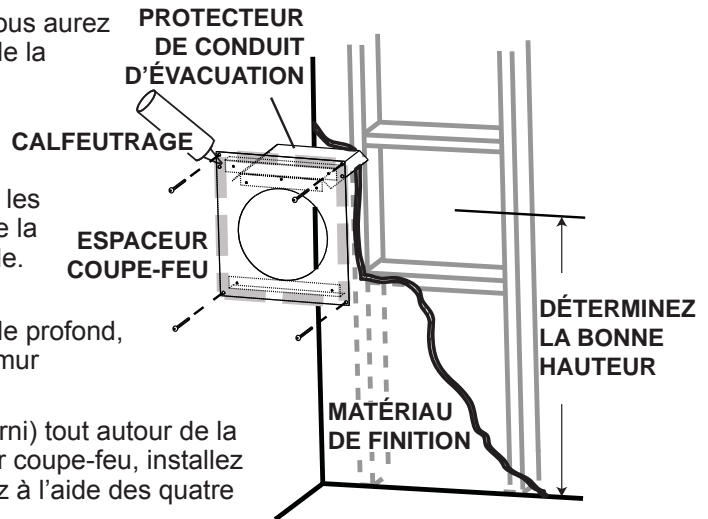
! AVERTISSEMENT

**L'ESPACEUR COUPE-FEU DOIT ÊTRE INSTALLÉ AVEC L'ÉCRAN PROTECTEUR ORIENTÉ VERS LE HAUT.
LA TERMINAISON NE DOIT PAS ÊTRE ENCHÂSSÉE DANS LE MUR OU LE REVÊTEMENT EXTÉRIEUR
PLUS QUE L'ÉPAISSEUR DE LA BRIDE DE LA PLAQUE DE MONTAGE.**

Cette configuration s'applique lorsque le conduit d'évent traverse un mur extérieur. Une fois que vous aurez déterminé la hauteur exacte pour l'emplacement de la terminaison, découpez et charpentez une ouverture dans le mur extérieur (comme illustré) pour permettre l'installation de l'espaceur coupe-feu. Avant de continuer, placez l'espaceur coupe-feu dans l'ouverture pour vous assurer que les supports sur la surface arrière soient placés contre la face intérieure de la pièce de charpente horizontale.

L'écran protecteur peut-être taillé pour des murs combustibles qui ont moins de 8 1/2" (215,9mm) de profond, mais doit se prolonger sur toute la profondeur du mur combustible.

- Appliquez un joint de calfeutrage (non fourni) tout autour de la bordure de la face intérieure de l'espaceur coupe-feu, installez l'espaceur coupe-feu contre le trou et fixez à l'aide des quatre vis (fournies dans le sac de votre manuel).
- Une fois que le conduit d'évent est en place, appliquez du scellant à haute température rouge RTV W573-0002 (non fourni) entre le conduit d'évent et l'espaceur coupe-feu.

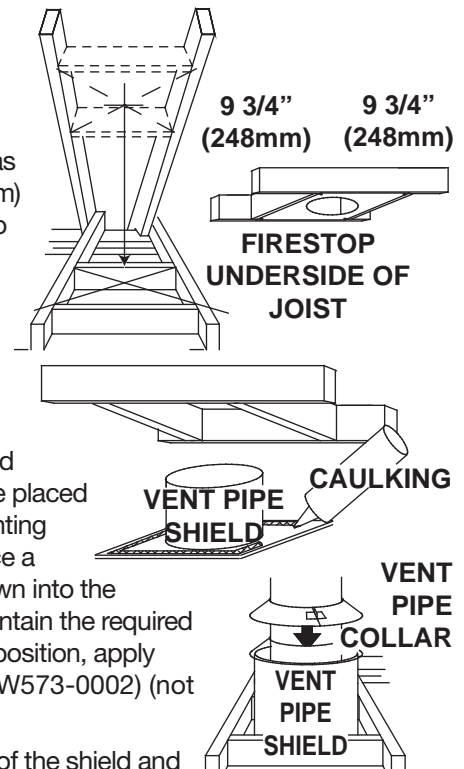


20.2B

4.1.2 INSTALLATION VERTICALE

This application occurs when venting through a roof. Installation kits for various roof pitches are available from your authorized dealer / distributor. See accessories to order specific kits required.

- Determine the air terminal location, cut and frame a square opening as illustrated in the ceiling and the roof to provide the minimum 1" (25mm) clearance between the vent pipe and any combustible material. Try to center the vent pipe location midway between two joists to prevent having to cut them. Use a plumb bob to line up the center of the openings. A vent pipe shield will prevent any materials such as insulation, from filling up the 1" (25mm) air space around the pipe. Nail headers between the joist for extra support.
- Apply a bead of caulking (not supplied) to the framework or to the Wolf Steel vent pipe shield plate or equivalent (in the case of a finished ceiling), and secure over the opening in the ceiling. A firestop must be placed on the bottom of each framed opening in a roof or ceiling that the venting system passes through. Apply a bead of caulking all around and place a firestop spacer over the vent shield to restrict cold air from being drawn into the room or around the fireplace. Ensure that both spacer and shield maintain the required clearance to combustibles. Once the vent pipe is installed in its final position, apply Mill Pac sealant (W573-0007) (not supplied) or red RTV silicone (W573-0002) (not supplied) between the pipe and the firestop assembly.
- In the attic, slide the vent pipe collar down to cover up the open end of the shield and tighten. This will prevent any materials, such as insulation, from filling up the 1" (25mm) air space around the pipe.



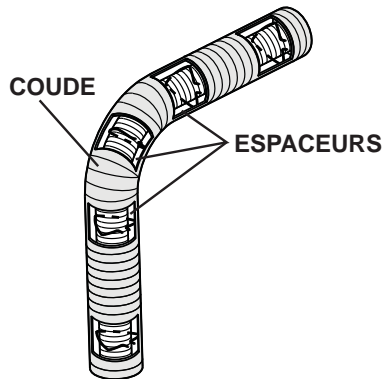
21.1B

4.2 UTILISATION DE COMPOSANTS FLEXIBLES D'ÉVACUATION

! AVERTISSEMENT

NE LAISSEZ PAS LA GAINÉ FLEXIBLE SE TASSER CONTRE LES COURSES HORIZONTALES OU VERTICALES ET LES COUDES. GARDEZ-LA TENDUE.

DES ESPACEURS SONT FIXÉS À LA GAINÉ FLEXIBLE À INTERVALLES PRÉDÉTERMINÉS AFIN DE GARDER UN ESPACE VIDE AVEC LE CONDUIT EXTÉRIEUR. POUR QUE LE FONCTIONNEMENT SOIT SÉCURITAIRE, UN ESPACE VIDE EST REQUIS. UN ESPACEUR EST REQUIS AU DÉBUT, AU MILIEU ET À LA FIN DE CHAQUE COUDE AFIN DE MAINTENIR CET ESPACE VIDE. N'ENLEVEZ PAS CES ESPACEURS.



Afin d'assurer une opération sécuritaire et adéquate de l'appareil, vous devez observer les instructions d'évacuation à la lettre.

Tous les joints des conduits flexibles intérieurs et extérieurs peuvent être scellés avec le scellant à haute température RTV rouge W573-0002 (non fourni) ou du scellant à haute température Mill Pac W573-0007 (non fourni).

Cependant, le raccordement du conduit flexible intérieur à la buse de l'appareil doit être scellé avec le scellant Mill Pac W573-0007 (non fourni).

N'utilisez que les ensembles certifiés de gaines flexibles portant l'inscription :

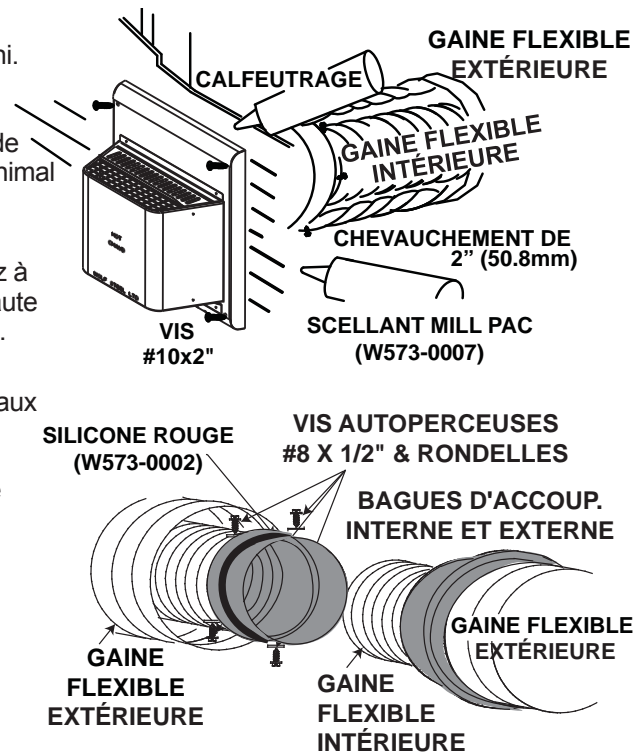


« Wolf Steel Approved Venting » comme identifié par la gaine flexible extérieure.

22.1A

4.2.1 INSTALLATION DE LA TERMINAISON HORIZONTALE

- Étirez la gaine flexible intérieure à la longueur requise en tenant compte de la longueur additionnelle nécessaire pour la surface du mur fini. Appliquez un généreux joint de scellant à haute température Mill Pac (W573-0007) (non fourni). Glissez la gaine flexible sur le manchon intérieur de la terminaison en assurant un chevauchement minimal de 2" (50.8mm) et fixez à l'aide de trois vis #8.
- Installez la gaine flexible extérieure en la glissant sur le manchon extérieur de la terminaison et fixez à l'aide de trois vis #8. Scellez avec du scellant à haute température RTV rouge (W573-0002) (non fourni).
- Insérez les gaines dans le coupe-feu tout en conservant le dégagement nécessaire aux matériaux combustibles. En soutenant la terminaison (les inscriptions étant à l'endroit et lisibles), fixez la terminaison au mur extérieur et rendez-la étanche en scellant à haute température RTV rouge (W573-0002) (non fourni).
- Si plus de sections de gaine doivent être utilisées pour atteindre l'appareil, raccordez-les ensemble tel qu'illustré. Le système d'évacuation doit être soutenu à environ tous les 3 pieds (0.9m) pour les courses verticales et horizontales. Utilisez des supports incombustibles afin de maintenir le dégagement minimal aux matériaux combustibles.



Les terminaisons ne doivent pas être enchâssées dans un mur ou un revêtement extérieur plus que l'épaisseur de la bride de la plaque de montage.

23.1C

4.2.2 INSTALLATION DE LA TERMINAISON VERTICALE

AVERTISSEMENT

CONSERVEZ UN ESPACE MINIMAL DE 2" (50,8mm) ENTRE LA BASE DE LA PRISE D'AIR ET LE COLLET DE SOLIN.

A. Fixez le support de toit au toit à l'aide des vis fournies. Le support de toit est optionnel. Dans ce cas, l'évén doit être supporté adéquatement soit en utilisant une méthode alternative se conformant aux normes des autorités compétentes, soit en utilisant le support de toit optionnel.

B. Étirez la gaine flexible intérieure à la longueur requise. Glissez la gaine flexible intérieure sur le manchon intérieur du connecteur de terminaison en assurant un chevauchement minimal de 2" (50,8mm) et fixez à l'aide de trois vis #8. Scellez en appliquant un généreux joint de scellant à haute température W573-0007 (non fourni).

C. Installez la gaine flexible extérieure de la même façon et scellez en appliquant un généreux joint de scellant à haute température W573-0002 (non fourni).

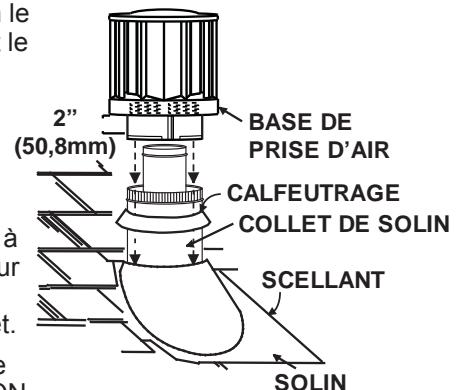
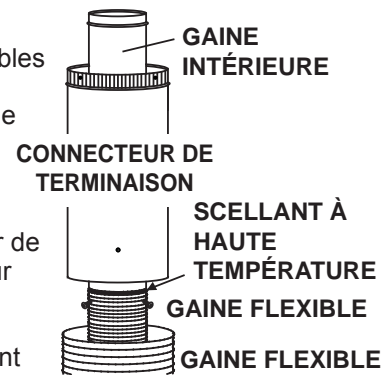
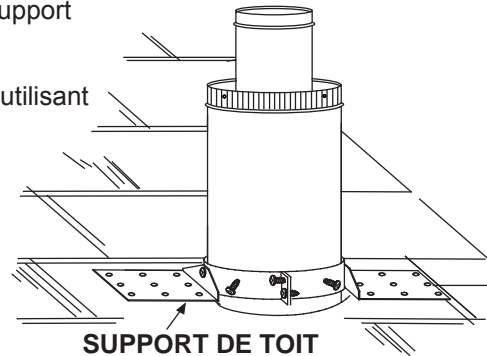
D. Faites passer le montage du connecteur de terminaison/gaines flexibles à travers le toit. La terminaison doit être verticale et d'aplomb. Fixez le connecteur de terminaison au support de toit en vous assurant que le dessus de la terminaison excède le côté le plus élevé du toit d'au moins 16" (406,4mm) une fois fixée.

E. Enlevez les clous des bardeaux sur le dessus et les côtés du connecteur de terminaison. Placez le solin par-dessus le connecteur de terminaison en laissant un minimum de 3/4" (19,1mm) de connecteur de terminaison visible au-dessus du haut du solin. Glissez le solin sous les côtés et le bord supérieur des bardeaux. Assurez-vous que le connecteur de terminaison est bien centré dans le solin, en laissant une marge de 3/4" (19,1mm) tout autour. Fixez-le au toit. Ne clouez pas à travers la partie inférieure du solin. Imperméabilisez-le en le scellant avec du calfeutrage. Si possible, recouvrez les côtés et le bord supérieur du solin avec des matériaux de couverture.

F. Alignez les joints de la terminaison et du connecteur de terminaison et placez la terminaison par-dessus le connecteur de terminaison en vous assurant que le manchon pénètre dans le trou de la terminaison. Fixez à l'aide des trois vis fournies.

G. Appliquez un généreux joint de calfeutrage à l'épreuve de l'eau à 2" (50,8mm) au-dessus du solin. Installez le collet de solin autour de la terminaison et glissez-le jusqu'à la ligne de calfeutrage. Serrez afin d'assurer l'étanchéité entre la terminaison et le collet.

H. Si plus de sections de gaine doivent être utilisées pour atteindre l'appareil, voir la section « INSTALLATION DE LA TERMINAISON HORIZONTALE ».



24.1A

4.3 UTILISATION DE COMPOSANTS RIGIDES D'ÉVACUATION

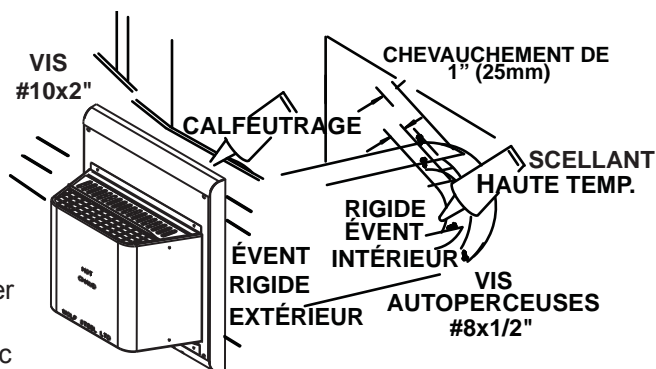
Le système d'évacuation doit être soutenu à peu près tous les 3 pieds (0.9m) de courses verticales et horizontales. Utilisez l'ensemble de support mural Wolf Steel ou des supports incombustibles équivalents afin de conserver le dégagement minimal aux matériaux combustibles pour les courses verticales et horizontales.

Tous les joints des conduits intérieurs et extérieurs peuvent être scellés avec du scellant de silicone rouge à haute température W573-0002 (non fourni) ou du scellant noir à haute température Mill Pac W573-0007 (non fourni) à l'exception du raccordement du conduit d'évacuation à la buse de l'appareil qui doit être scellé avec le scellant Mill Pac.

25.1A

4.3.1 INSTALLATION DE LA TERMINAISON HORIZONTALE

- A. Mettez l'appareil en place. Mesurez la longueur d'évent requise entre la terminaison et l'appareil en tenant compte de la longueur additionnelle nécessaire pour la surface du mur fini et tout chevauchement de 1 ¼" (31.8mm) entre les composants d'évacuation.
- B. Appliquez du scellant à haute température W573-0007 (non fourni) sur le rebord extérieur du collet intérieur de l'appareil. Installez le premier événement et fixez-le en utilisant un minimum de 3 vis autoperceuses. Procédez de la même façon avec l'évent rigide extérieur.
- C. Insérez les deux événements dans l'espaceur coupe-feu, en respectant les dégagements aux combustibles requis. En soutenant la terminaison (les inscriptions étant à l'endroit et lisibles), fixez-la au mur extérieur et rendez-la étanche en la scellant avec du calfeutrage (non fourni).

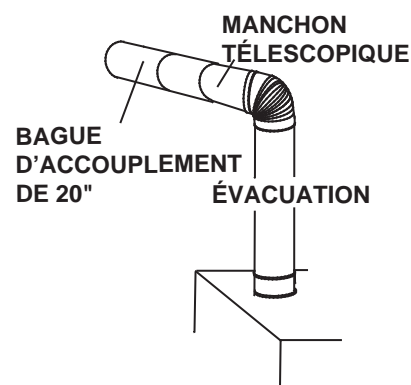


La plaque de montage de la terminaison peut être enchâssée dans le mur ou le revêtement extérieur, sans excéder l'épaisseur de la bride.

26.1A

4.3.2 INSTALLATION DE LA TERMINAISON HORIZONTALE PROLONGÉE

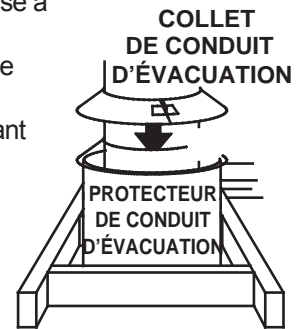
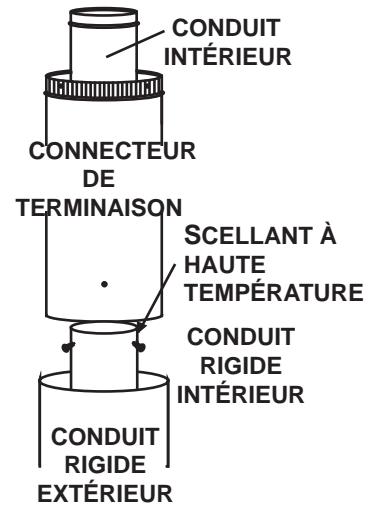
- A. Suivez les instructions dans la section « INSTALLATION DE LA TERMINAISON HORIZONTALE ».
- B. Continuez d'ajouter des composants en alternant les événements intérieurs et extérieurs. Assurez-vous que tous les événements et les coudes aient suffisamment d'espaceurs et que chaque composant est scellé et fixé solidement à celui qui le précède. Fixez le manchon télescopique à la course de l'évent. Répétez cette étape en utilisant un manchon télescopique. Fixez et scellez comme auparavant. Pour faciliter l'achèvement, fixez des bagues d'accouplement à la terminaison.
- C. Installez la terminaison horizontale. Voir la section « INSTALLATION DE LA TERMINAISON HORIZONTALE ».



48.1A

4.3.3 INSTALLATION DE LA TERMINAISON VERTICALE

- A.** Mettez l'appareil en place.
- B.** Fixez le support de toit au toit à l'aide des vis fournies. Le support de toit est optionnel. Dans ce cas, l'évent doit être supporté adéquatement, soit en utilisant une méthode alternative se conformant aux normes des autorités compétentes, soit en utilisant le support de toit optionnel.
- C.** Appliquez du scellant à haute température (non fourni) sur le rebord extérieur du manchon intérieur de la terminaison. Glissez une bague d'accouplement sur le manchon à au moins 2 po (51 mm) de l'extrémité de celui-ci et fixez-la avec au moins trois vis.
- D.** Appliquez du scellant à haute température (non fourni) sur le rebord extérieur du manchon extérieur de la terminaison. Glissez une bague d'accouplement sur le manchon et fixez comme auparavant. Taillez la bague d'accouplement extérieure à la même longueur que la bague d'accouplement intérieure.
- E.** Faites passer l'ensemble de terminaison à travers le support de toit. Fixez l'ensemble de terminaison au support de toit en vous assurant que la section de terminaison excède le toit d'au moins 16" (406mm) une fois fixée. Si l'espace du grenier est restreint, nous recommandons de visser le collet de conduit d'évacuation Wolf Steel ou l'équivalent sans serrer dans l'ensemble de la terminaison lorsqu'il est passé à travers le grenier. La terminaison doit être verticale et d'aplomb.
- F.** Enlevez les clous des bardeaux sur le dessus et les côtés de la cheminée. Placez le solin par-dessus la terminaison et glissez-le sous les côtés et le bord supérieur des bardeaux. Assurez-vous que la terminaison est bien centrée dans le solin, en laissant une marge de 3/4" (19mm) tout autour. Fixez-le au toit. NE clouez PAS à travers la partie inférieure du solin. Imperméabilisez-le en le scellant avec du calfeutrage. Si possible, recouvrez les côtés et le bord supérieur du solin avec des matériaux de couvertures.
- G.** Appliquez un généreux joint de calfeutrage à l'épreuve de l'eau à 2" (51mm) au-dessus du solin. Installez le collet de solin autour du connecteur de terminaison et glissez-le jusqu'à la ligne de calfeutrage. Serrez afin d'assurer l'étanchéité entre le connecteur de terminaison et le collet.
- H.** Continuez d'ajouter des sections rigides d'évacuation, fixez et scellez comme ci-dessus. Installez le manchon télescopique intérieur en position fermé à la dernière section de conduit rigide. Fixez-le avec des vis et scellez. Procédez de la même façon avec le manchon télescopique extérieur.
- I.** Appliquez un joint de scellant à haute température (non fourni) sur le côté extérieur du collet de conduit d'évacuation intérieur sur l'appareil. Glissez le manchon télescopique sur une longueur d'au moins 2" (51mm) par-dessus le collet de conduit d'évacuation. Fixez avec un minimum de trois vis. Procédez de la même façon avec le manchon télescopique extérieur.
- J.** Dans le grenier, faites glisser le collet de conduit d'évacuation vers le bas afin de recouvrir l'extrémité ouverte du protecteur de conduit d'évacuation et serrez. Ceci empêchera tout matériau, tel que l'isolant, de remplir l'espace vide de 1" (25mm) autour de l'évent.



27.2A

4.4 INSTALLATION DANS UNE MAISON MOBILE

Cet appareil doit être effectuée en respectant les directives du fabricant et le Manufactured Home Construction and Safety Standard, Title 24 CFR, Part 3280, aux États-Unis, ou les normes actuelles pour les maisons mobiles, CAN/CSA Z240 SÉRIE MH, au Canada. Cet appareil ne doit être utilisé qu'avec le type de gaz indiqué sur la plaque d'homologation. Un ensemble de conversion est fourni avec l'appareil pour maison mobile.

Cet appareil homologué pour les maisons mobiles et préfabriquées possède des éléments de fixation. L'appareil est muni de deux trous de $\frac{1}{4}$ " (6,4mm) de diamètre, situés aux coins avant, gauche et droit de la base. Fixez à l'aide de vis #10 à tête hexagonale insérées dans les trous de la base. Pour les produits autoportante, contactez votre revendeur agréé / distributeur permettant la sécurisation kit. Lors d'une installation dans une maison mobile, l'appareil doit être fixé au plancher. Éteignez toujours la veilleuse et l'alimentation en gaz à la source avant de déplacer la maison mobile. Après avoir déplacé la maison mobile et avant d'allumer l'appareil, assurez-vous que les bûches sont placées correctement.

Cet appareil est certifié pour être installé dans une maison mobile installée de façon permanente, sauf si les codes locaux l'interdisent. Cet appareil ne doit être utilisé qu'avec le type de gaz indiqué sur la plaque d'homologation. On ne peut utiliser cet appareil avec d'autres types de gaz, sauf si un ensemble de conversion certifié est utilisé.

Ensembles de conversion

L'appareil pour maison mobile peut être converti au gaz naturel (GN) ou au propane (PL).

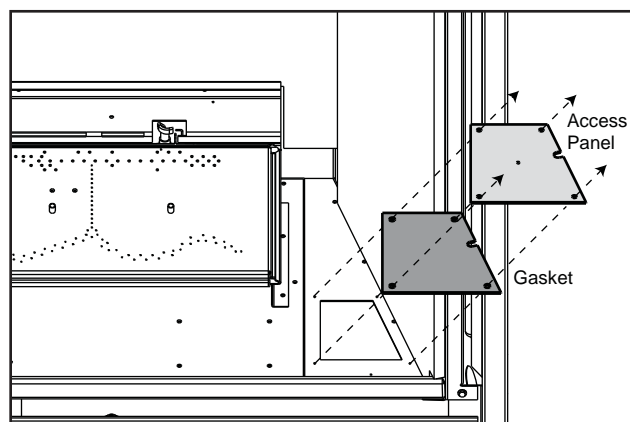
Pour effectuer une conversion, veuillez consulter votre détaillant autorisé.

29.1B

FR

4.5 PANNEAU D'ACCÈS POUR LE RACCORDEMENT DE LA CONDUITE DE GAZ

- A. Enlevez les 4 vis tenant la grille en place.
- B. Dévisser les 4 vis qui maintiennent le panneau d'accès à la chambre de combustion.
- C. Retirez le joint d'étanchéité (attention à ne pas déchirer)



4.6 GAS INSTALLATION

! AVERTISSEMENT

RISQUE D'INCENDIE, D'EXPLOSION OU D'ASPHYXIE. ASSUREZ-VOUS QU'IL N'Y AIT AUCUNE SOURCE D'ALLUMAGE COMME DES ÉTINCELLES OU UNE FLAMME NUE.

SOUTENEZ LE CONTRÔLE DU GAZ LORSQUE VOUS ATTACHEZ LE TUYAU POUR ÉVITER DE PLIER LA CONDUITE DE GAZ.

ALLUMEZ TOUJOURS LA VEILLEUSE, QUE CE SOIT POUR LA PREMIÈRE FOIS OU LORSQUE L'APPROVISIONNEMENT EN GAZ EST ÉPUISÉ, AVEC LA PORTE VITRÉE OUVERTE OU RETIRÉE. LA PURGE DOIT ÊTRE EFFECTUÉE PAR UN TECHNICIEN QUALIFIÉ. ASSUREZ-VOUS QUE L'ARRIVÉE DE GAZ AU BRÛLEUR EST CONTINUE AVANT DE FERMER LA PORTE. ASSUREZ-VOUS D'UNE VENTILATION ADÉQUATE. POUR LES EMPLACEMENTS DE L'ENTRÉE DU GAZ ET DE L'ENTRÉE ÉLECTRIQUE, VOIR LA SECTION « DIMENSIONS ».

LORSQUE LE BRANCHEMENT EST TERMINÉ, TOUS LES RACCORDS DE GAZ DOIVENT SE TROUVER À L'INTÉRIEUR DU FOYER.

LES PRESSIONS ÉLEVÉES ENDOMMAGERONT LA SOUPE. L'ALIMENTATION EN GAZ DOIT ÊTRE DÉBRANCHÉE PENDANT LES ESSAIS DE PRESSION DE CE SYSTÈME LORSQUE LES PRESSIONS D'ESSAI EXCÈDENT ½ LB/PO² (3,5 KPA).

LES RÉGLAGES DE LA SOUPE ONT ÉTÉ FAITS EN USINE; NE LES MODIFIEZ PAS.

L'installation et l'entretien doivent être effectués par un installateur qualifié.

- A. Mettez l'appareil en place et fixez-le.
- B. Si l'appareil est muni d'un raccord flexible, celui-ci est conçu pour recevoir une conduite de gaz de 1/2". Sans raccord flexible, l'appareil est conçu pour recevoir une conduite de gaz de 3/8". L'appareil est muni d'une soupape d'arrêt manuelle pour fermer l'alimentation en gaz.
- C. Branchez le gaz en conformité avec les codes locaux. En l'absence de codes locaux, l'installation doit être conforme au Code d'installation du gaz CAN/CSA-B149.1 dans sa version pour le Canada ou le National Fuel Gas Code, ANSI Z223.1 / NFPA 54 pour les États-Unis.
- D. Lorsque vous manipulez des conduites de gaz, soutenez la soupape de gaz pour éviter que les conduites ne se plient.
- E. Le raccord flexible de l'alimentation en gaz devrait être suffisamment mobile pour permettre de placer l'assemblage du brûleur sur le côté.
- F. Vérifiez pour des fuites de gaz en appliquant une solution d'eau savonneuse. **N'utilisez pas une flamme nue.**

30.1A

5.0 OSSATURE

! AVERTISSEMENT	
RISQUE D'INCENDIE!	
AFIN D'ÉVITER LA POSSIBILITÉ QUE DE L'ISOLATION OU UN COUPE-VAPEUR ENTRENT EN CONTACT AVEC L'EXTÉRIEUR DU CAISSON, IL EST CONSEILLÉ D'INSTALLER L'APPAREIL CONTRE DES MURS FINIS (C.-À-D. PANNEAU DE GYPSE) COMME TOUT AUTRE MUR DE LA MAISON. CECI ASSURERA QUE LE DÉGAGEMENT AUX MATÉRIAUX COMBUSTIBLES EST MAINTENU.	
NE FAITES PAS D'ENTAILLES À L'OSSATURE AUTOUR DES ESPACEURS. NE PAS MAINTENIR LES DÉGAGEMENTS PEUT CAUSER UNE SURCHAUFFE ET UN INCENDIE. EMPÊCHEZ TOUT CONTACT AVEC DE L'ISOLANT QUI S'AFFAISSE, AVEC L'OSSATURE OU AVEC TOUT AUTRE MATÉRIAU COMBUSTIBLE. BLOQUEZ L'ENTRÉE DE L'ENCEINTE POUR EMPÊCHER L'INFILTRATION D'ISOLANT SOUFFLÉ. ASSUREZ-VOUS QUE L'ISOLATION ET LES AUTRES MATÉRIAUX SONT BIEN FIXÉS.	
LORSQUE VOUS CONSTRUISEZ L'ENCEINTE, PRÉVOYEZ L'ÉPAISSEUR DES MATÉRIAUX DE FINITION POUR MAINTENIR LES DÉGAGEMENTS. SI L'OSSATURE OU LES MATÉRIAUX DE FINITION SE TROUVENT À UNE DISTANCE INFÉRIEURE À CELLE INDICQUÉE, ILS DOIVENT ÊTRE FAITS ENTIÈREMENT DE MATÉRIAUX NON COMBUSTIBLES. LES MATÉRIAUX FAITS ENTIÈREMENT D'ACIER, DE FER, DE BRIQUE, DE TUILE, DE BÉTON, D'ARDOISE, DE VERRE OU DE PLÂTRE, OU D'UNE COMBINAISON DE CES MATÉRIAUX, SONT APPROPRIÉS. LES MATÉRIAUX RÉPONDANT À LA NORME ASTM E 136, MÉTHODE DE TEST STANDARD DU COMPORTEMENT DES MATÉRIAUX DANS UNE FOURNAISE AVEC TUBE VERTICAL À 1382° F (750°C), ET À LA NORME UL763 SONT CONSIDÉRÉS COMME ÉTANT DES MATÉRIAUX NON COMBUSTIBLES.	
AFIN D'ÉVITER UN RISQUE D'INCENDIE, LES DÉGAGEMENTS MINIMAUX AUX MATÉRIAUX COMBUSTIBLES DOIVENT ÊTRE MAINTENUS.	
L'ENCEINTE DE L'APPAREIL DOIT RESPECTER LA HAUTEUR MINIMALE REQUISE. MESUREZ À PARTIR DE LA BASE DE L'APPAREIL.	
SI DES ENSEMBLES DE MONTANTS EN ACIER AVEC PANNEAU DE CIMENT SONT FOURNIS, OU SPÉCIFIÉ DANS LES INSTRUCTIONS D'INSTALLATION, ILS DOIVENT ÊTRE INSTALLÉS.	
SI SPÉCIFIÉ DANS LES INSTRUCTIONS D'INSTALLATION, LES MATÉRIAUX DE FINITION DOIVENT ÊTRE NON-COMBUSTIBLES PLACER ÉCLAT AVEC LE FACE DE L'APPAREIL ÉTENDUE DU SOMMET DE L'APPAREIL COMME LE CONSEIL DE CIMENT, LE CARREAU EN CERAMIQUE, LE MARBRE, ETC. NE PAS UTILISÉ DES BÛCHES OU LE CLOISON SECHE. N'IMPORTE QUEL FEU A ÉVALUÉ DU COLISON SÈCHE N'EST PAS ACCEPTABLE.	

71.1C

Il est préférable de construire l'ossature après que l'appareil est en place et que le système d'évacuation est installé. Construisez l'ossature conformément aux exigences des codes du bâtiment locaux.

Il n'est pas nécessaire d'installer une base de protection avec ce type d'appareil.

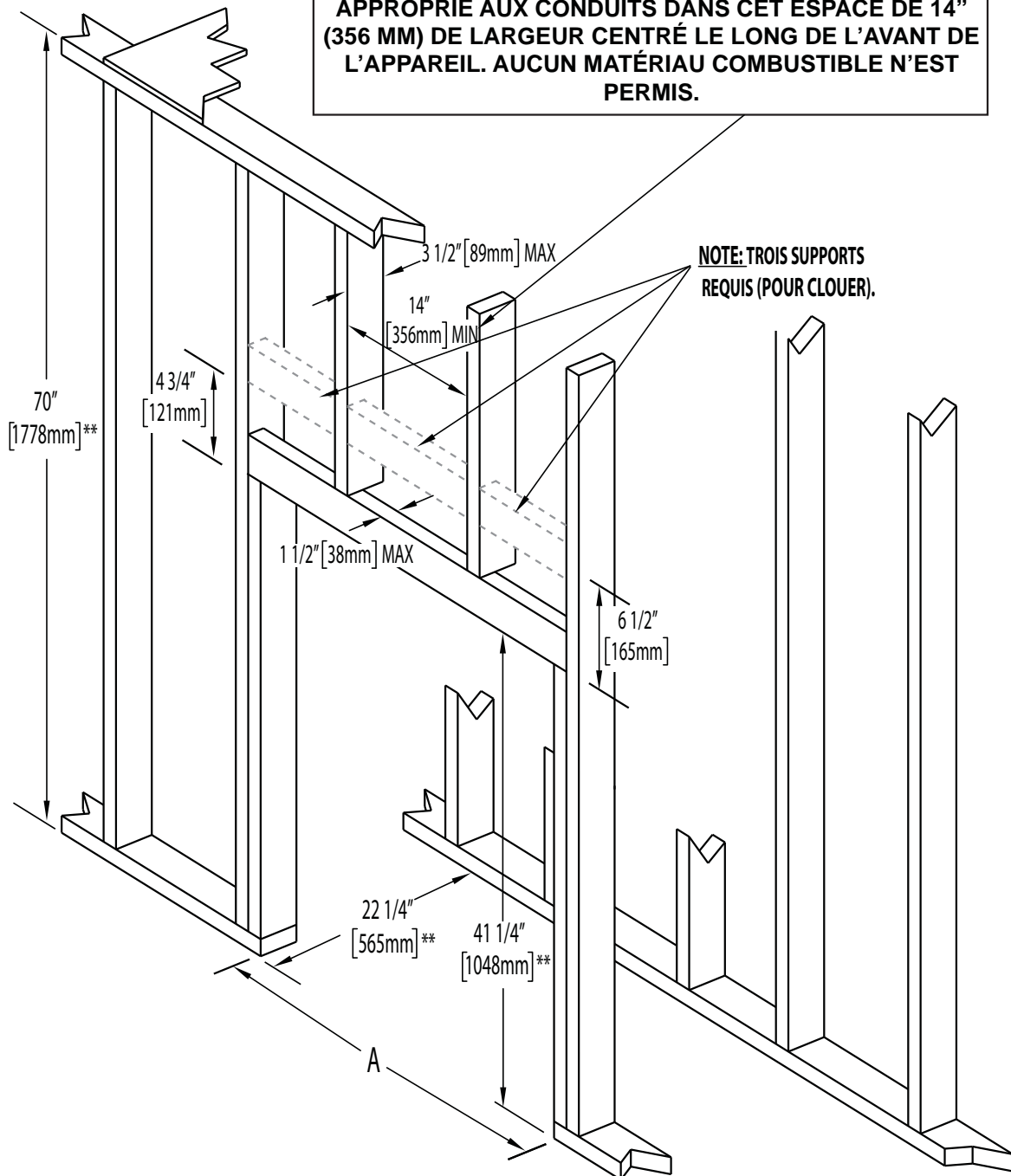
Lorsque vous mettez l'appareil en place, surélevez-le de façon à prévoir l'épaisseur du plancher fini, c.-à-d. tuiles, tapis ou bois franc, car s'ils n'ont pas été prévus, ils nuiront à l'ouverture de la porte d'accès inférieure et à l'installation de plusieurs ensembles de contours.

Les matériaux combustibles peuvent être installés à égalité avec le devant de l'appareil, mais ils ne doivent recouvrir aucune surface peinte en noir du devant de l'appareil. Les matériaux incombustibles (briques, pierres, carreaux de céramique) peuvent empiéter sur la partie noire.

FR

! WARNING

NE CONSTRUISEZ RIEN DANS CET ESPACE - IL DOIT DEMEURER LIBRE AFIN DE FOURNIR LE DÉGAGEMENT APPROPRIÉ AUX CONDUITS DANS CET ESPACE DE 14" (356 MM) DE LARGEUR CENTRÉ LE LONG DE L'AVANT DE L'APPAREIL. AUCUN MATÉRIAU COMBUSTIBLE N'EST PERMIS.



DIMENSIONS OSSATURE

Ref	HD35-1	HD40-1	HD46-1
A	35 3/4" (908mm)	40 3/4" (1035mm)	46 3/4" (1187mm)

* Prévoyez l'épaisseur du plancher fini et de la base de protection lorsque vous déterminez ces dimensions.

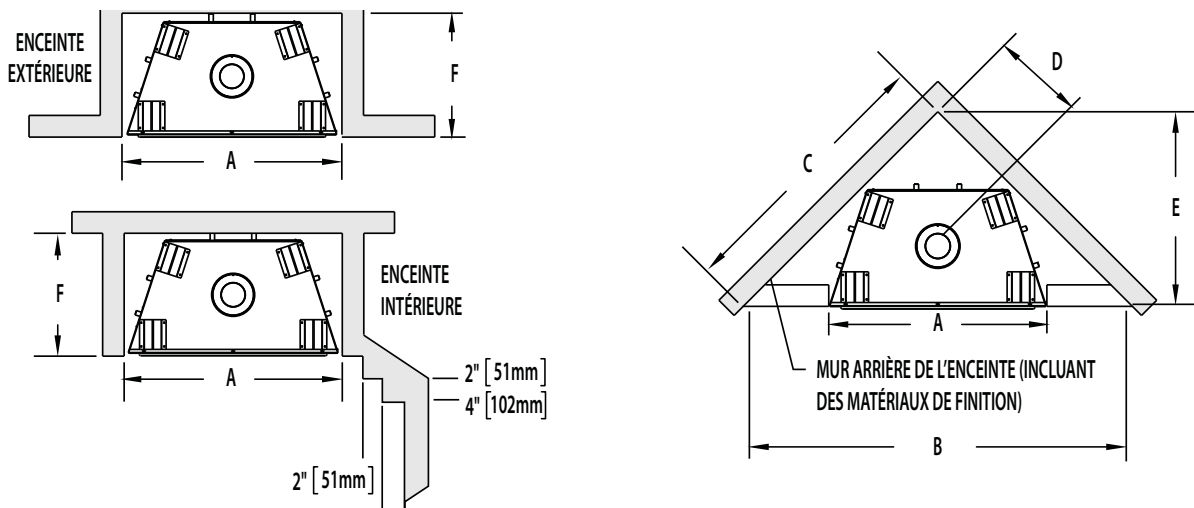
** Lors de la construction de l'enceinte, prenez en compte l'épaisseur des matériaux de finition pour maintenir les dégagements.

5.1 DÉGAGEMENT MINIMAL AUX MATÉRIAUX COMBUSTIBLES

OSSATURE COMBUSTIBLES:	
Acôtés, arrière, fond et haut de l'appareil	0" to stand offs
FINITION COMBUSTIBLES:	
Acôtés, fond and haut	1 1/4"(32 mm) côtés à, 0" vers le bas, 7 3/8"(187 mm) en haut de l'appareil.
Enceinte Haut	70" (1778mm) à partir du bas de l'appareil.
Profondeur de L'enclave	22 1/4" (565mm)
Côte et le fond de la conduit d'évent	1"* (25mm)
Haut de conduit d'évent	2"* (51mm)
Plafond	62" (1575mm) à partir du bas de l'appareil.

* **SECTIONS D'ÉVENTS HORIZONTALES** : Un dégagement minimal aux matériaux combustibles de 1 po (25 mm) au-dessous et sur les côtés et de 2 po (51 mm) au-dessus du conduit d'évent est requis; celui-ci doit être maintenu sur toutes les courses horizontales, à l'exception des dégagements à l'intérieur de l'enceinte de l'appareil. Les sections d'événements horizontales dans l'enceinte requièrent un dégagement minimal de 9 po (229 mm) au-dessus du conduit d'évent. Voir la section « DÉGAGEMENTS MINIMAUX AUX ENCEINTES COMBUSTIBLES ». Utilisez l'espaceur coupe-feu W010-1777 (fourni) aux endroits où le conduit d'évent traverse des murs combustibles.

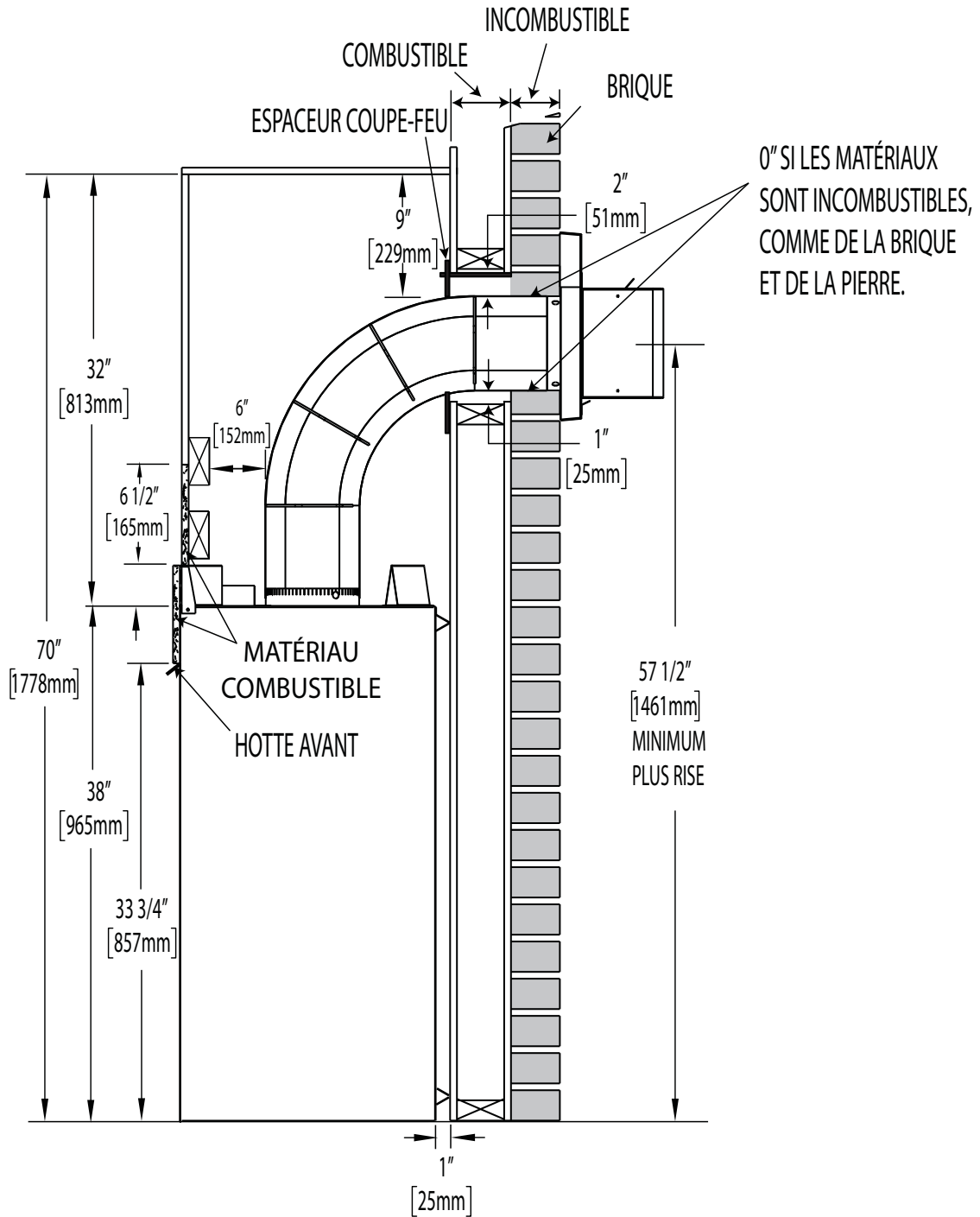
* **SECTIONS D'ÉVENTS VERTICALES** : Un dégagement minimal aux matériaux combustibles de 1 po (25 mm) est requis sur toutes les courses verticales, à l'exception des dégagements à l'intérieur de l'enceinte de l'appareil. Les sections d'événements verticales dans l'enceinte requièrent un dégagement minimal de 4 po (102 mm) sur les côtés de l'évent. Voir la section « DÉGAGEMENTS MINIMAUX AUX ENCEINTES COMBUSTIBLES ». Utilisez l'espaceur coupe-feu W500-0367 (non fourni) aux endroits où le conduit d'évent traverse les plafonds et les planchers combustibles.



DÉGAGEMENT MINIMALE DES ENCEINTE

Ref	HD35-1	HD40-1	HD46-1
A	35 3/4" (908mm)	40 3/4" (1035mm)	46 3/4" (1187mm)
B	61 1/2" (1562mm)	66 1/2" (1689mm)	72 1/2" (1842mm)
C	43 1/2" (1105mm)	47" (1194mm)	51 1/4" (1302mm)
D	14 13/16" (376mm)	16 9/16" (421mm)	18 11/16" (475mm)
E	32 3/4" (832mm)	35 1/4" (895mm)	38 1/4" (972mm)
F	22 1/4" (565mm)	22 1/4" (565mm)	22 1/4" (565mm)

5.2 DÉGAGEMENTS MINIMAUX DE L'ENCEINTE

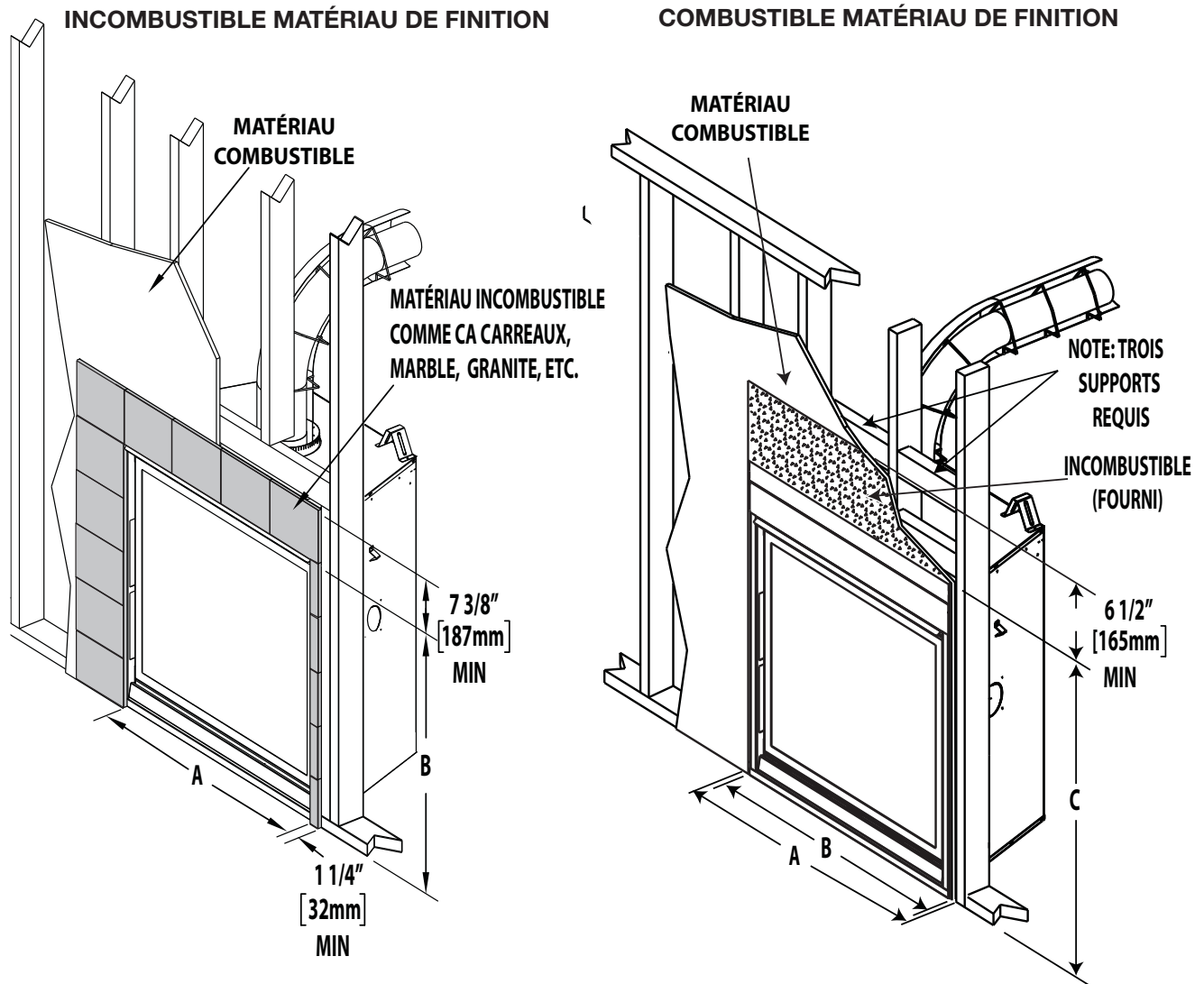


Afin de respecter les contraintes de température, l'espace à l'intérieur de l'enceinte, autour de l'appareil et au-dessus doit demeurer sans obstruction.

Il est recommandé d'assurer une bonne circulation d'air en haut et en bas de l'enceinte pour faire circuler l'air chaud.

* Voir la sections « ÉVACUATION »

5.3 INSTALLATION DU MATÉRIAU INCOMBUSTIBLE



REMARQUE : pour obtenir des instructions d'installation détaillées sur le cadre à 4 côtés, la façade optionnelle ou la moulure cambrée, consultez les instructions d'installation fournies avec l'ensemble.

Un composé à joint résistant à la chaleur et aux craquelures doit être utilisé lorsque vous posez du ruban à joints et que vous comblez des joints.

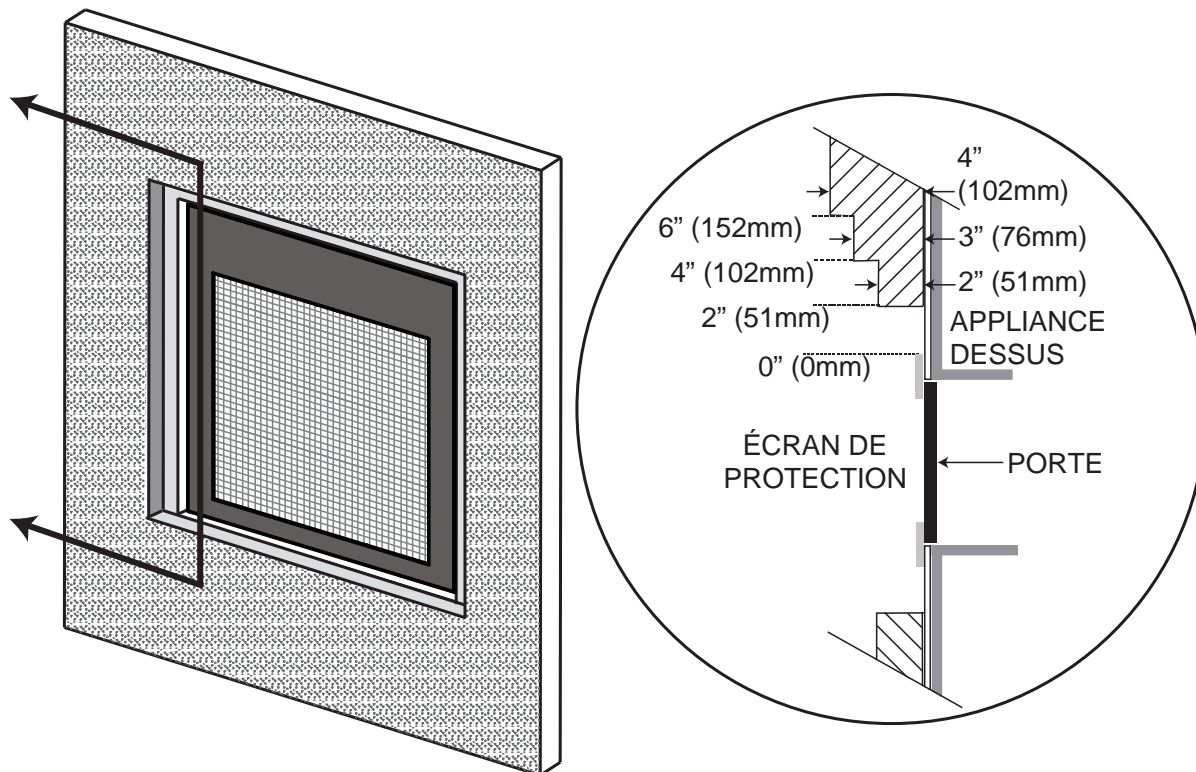
MATÉRIEAUX INCOMBUSTIBLES FINITION: DÉFINITION			
Ref	HD35-1	HD40-1	HD46-1
A	33" (838mm)	38" (965mm)	44" (1117mm)
B	33 3/4" (857mm)	33 3/4" (857mm)	33 3/4" (857mm)

Matériaux Incombustibles : Définition

Un matériau qui ne s'enflamme et qui ne brûle pas. Les matériaux faits entièrement d'acier, de fer, de briques, de tuiles, de béton, d'ardoise, de verre ou de plâtre, ou d'une combinaison de ces matériaux sont appropriés.

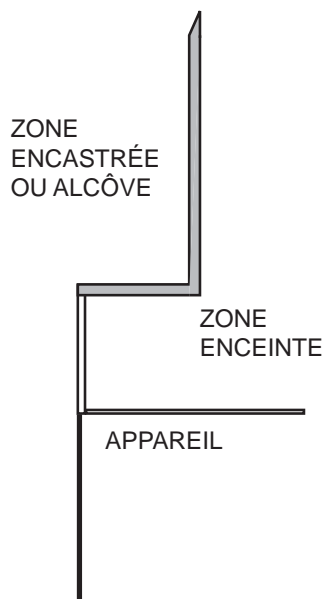
Les matériaux respectant la norme ASTM E 136, Méthode de test standard du comportement des matériaux dans une fournaise avec tube vertical à 750 °C et la norme UL763 sont considérés comme étant des matériaux incombustibles.

MATÉRIEAUX COMBUSTIBLES FINITION: DÉFINITION			
Ref	HD35-1	HD40-1	HD46-1
A	35 3/4" (908mm)	40 3/4" (1035mm)	46 3/4" (1187mm)
B	35 1/2" (902mm)	40 1/4" (1022mm)	46 1/4" (1175mm)
C	41" (1041mm)	41" (1041mm)	41" (1041mm)



AVERTISSEMENT : UN DÉGAGEMENT DE 2 PO (51 MM) MESURÉ À PARTIR DU CONTOUR EST NÉCESSAIRE POUR TOUTE PROJECTION SUPPLÉMENTAIRE D'UN MAXIMUM DE 2 PO (51 MM). SI DES PROJECTIONS PLUS GRANDES SONT REQUISES, AUGMENTEZ LES DÉGAGEMENTS SUR LE CONTOUR DE 2 PO (51 MM) POUR CHAQUE POUCE (25 MM) DE PROJECTION SUPPLÉMENTAIRE.

5.4 INSTALLATION EN ALCÔVE



NOTE : Les zones encastrées ou les alcôves au dessus de l'appareil peuvent être aussi profondes que désiré tant que les dégagements minimaux aux matériaux combustibles sont respectés.

Vous pouvez utiliser un matériau incombustible, pourvu que les dégagements minimaux aux matériaux combustibles soient appliqués.

Le volume minimal de l'enceinte doit être augmenté d'au moins la valeur du volume de la zone encastrée. Cet ajustement peut être réalisé en augmentant une ou toutes les dimensions de l'enceinte.

5.5 DÉGAGEMENTS MINIMAUX DE LA TABLETTE

! AVERTISSEMENT

RISQUE D'INCENDIE. CONSERVEZ TOUS LES DÉGAGEMENTS AUX MATÉRIAUX COMBUSTIBLES SPÉCIFIÉS. NE PAS RESPECTER CES INSTRUCTIONS PEUT CAUSER UN INCENDIE OU UNE SURCHAUFFE. ASSUREZ-VOUS QUE TOUS LES DÉGAGEMENTS (ARRIÈRE, CÔTÉS, DESSUS, ÉVENTS, TABLETTE, FAÇADE, ETC.) SONT RESPECTÉS À LA LETTRE.

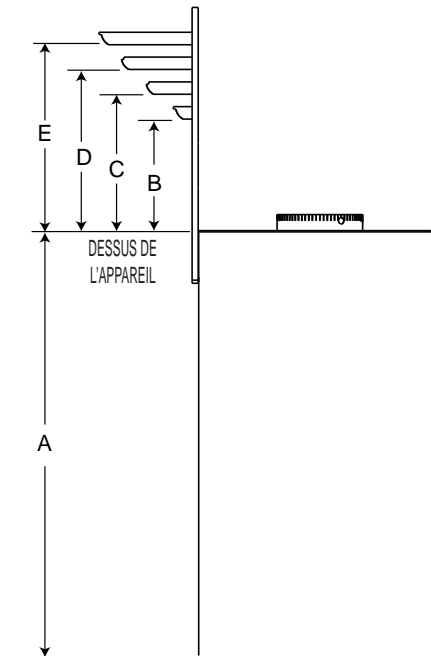
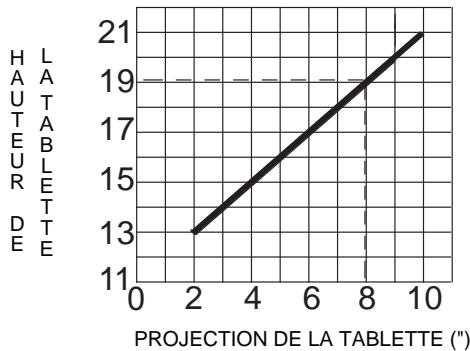
LORSQUE VOUS UTILISEZ DE LA PEINTURE OU DU VERNIS COMME FINITION POUR VOTRE TABLETTE, ASSUREZ-VOUS QU'ILS SOIENT RÉSISTANTS À LA CHALEUR AFIN DE PRÉVENIR LA DÉCOLORATION.

FR

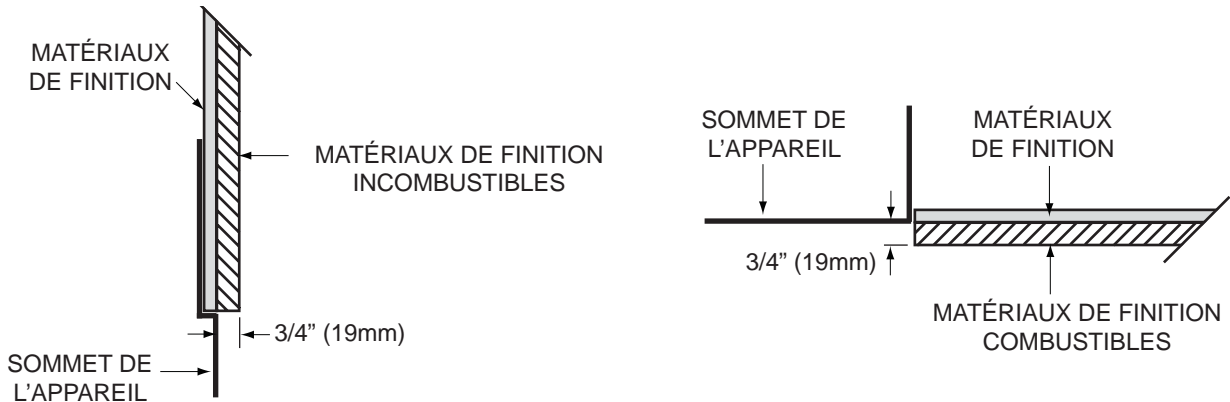
73.1

Le dégagement d'une tablette combustible à l'appareil peut varier selon la profondeur de la tablette. Utilisez le graphique pour vous aider à déterminer le dégagement nécessaire.

DIMENSIONS DE LA TABLETTE		
Ref	Hauteur	Profondeur
A	38" (965mm)	
B	13" (330mm)	2" (51mm)
C	15" (381mm)	4" (102mm)
D	17" (432mm)	6" (152mm)
E	19" (483mm)	8" (203mm)



5.6 MATÉRIAU DE FINITION INCOMBUSTIBLE



AVERTISSEMENT: Les matériaux de finition incombustibles ne doivent pas dépasser de la sommet, du fond ou des côtés de l'appareil, comme illustrée (pour une projection maximale de 3/4" (19mm)). Les projections plus grandes sont considérés une tablette et doivent suivre les conditions incombustibles des tablettes.

71.3A

6.0 FINITIONS

FR

! AVERTISSEMENT	
RISQUE D'INCENDIE!	
N'OBSTRUEZ JAMAIS L'OUVERTURE SUR LE DEVANT DE L'APPAREIL.	
SI LA FINITION DE LA FAÇADE DE L'APPAREIL EST FAIT, ELLE DOIT ÊTRE FAITE DE MATÉRIAU INCOMBUSTIBLE COMME DE LA BRIQUE, DU MARBRE, DU GRANITE, ETC.	
NE FRAPPEZ PAS, NE CLAQUEZ PAS ET N'ÉGRATIGNEZ PAS LA PORTE VITRÉE. NE FAITES PAS FONCTIONNER L'APPAREIL LORSQUE LA PORTE VITRÉE EST ENLEVÉE, FISSURÉE, BRISÉE OU ÉGRATIGNÉE.	
LES MATÉRIAUX DE FAÇADE OU DE FINITION NE DOIVENT JAMAIS EMPIÉTER SUR L'OUVERTURE DE L'APPAREIL.	

72.1B

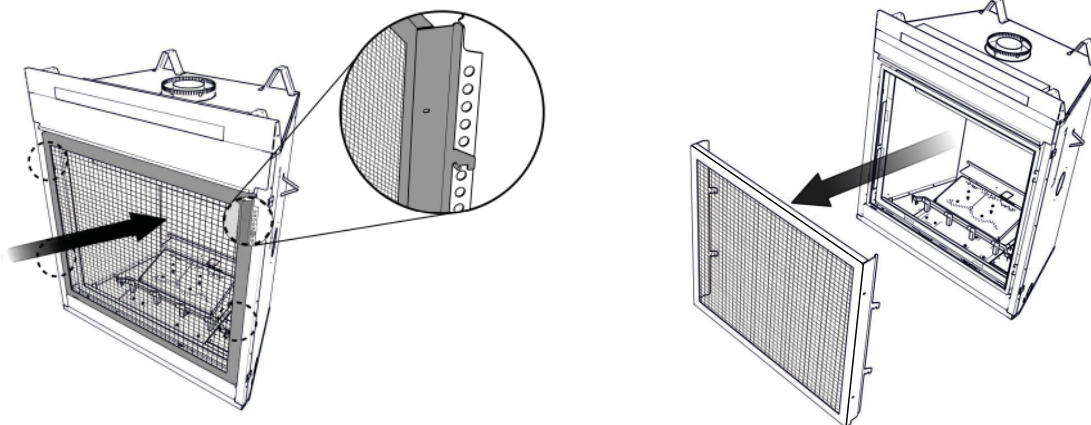
6.1 ENLÈVEMENT ET INSTALLATION DE L'ÉCRAN DE PROTECTION

! AVERTISSEMENT	
LA VITRE PEUT ÊTRE CHAUDE, NE TOUCHEZ PAS LA VITRE JUSQU'À CE QU'ELLE AIT REFROIDI.	
LES LOQUETS DE PORTE FONT PARTIE D'UN DISPOSITIF DE SÉCURITÉ ET DOIVENT ÊTRE ADÉQUATEMENT VERROUILLÉS. NE FAITES PAS FONCTIONNER L'APPAREIL LORSQUE LES LOQUETS SONT DÉVERROUILLÉS.	
LES MATÉRIAUX DE FAÇADE ET DE FINITION NE DOIVENT PAS NUIRE À LA CIRCULATION DE L'AIR DANS LES OUVERTURES D'AIR ET LES PERSIENNES, NI AU FONCTIONNEMENT DES PERSIENNES OU DES PORTES. ILS NE DOIVENT PAS NON PLUS ENTRAVER L'ACCÈS POUR L'ENTRETIEN. RESPECTEZ TOUS LES DÉGAGEMENTS AUX MATÉRIAUX COMBUSTIBLES.	
AVANT D'ENLEVER LA PORTE, ÉTEIGNEZ L'APPAREIL ET ATTENDEZ QUE CE DERNIER SOIT FROID AU TOUCHER. LES PORTES SONT LOURDES ET FRAGILES; MANIPULEZ AVEC SOIN.	

75.1

Une barrière conçu à réduire le risque de brûlures à partir de la chaude la vitre est à condition que avec l'appareil et sera être installés.

Avant d'enlever la porte vitrée, l'écran de protection doit être enlever. Soulevez l'écran de protection hors des 4 goupilles et enlever de l'appareil, puis inclinez la partie haut du porte vitrée puis enlever de l'appareil.



Faites le processus inverse pour réinstaller l'écran de protection et la porte. Assurez-vous que l'écran de protection est installé correctement.

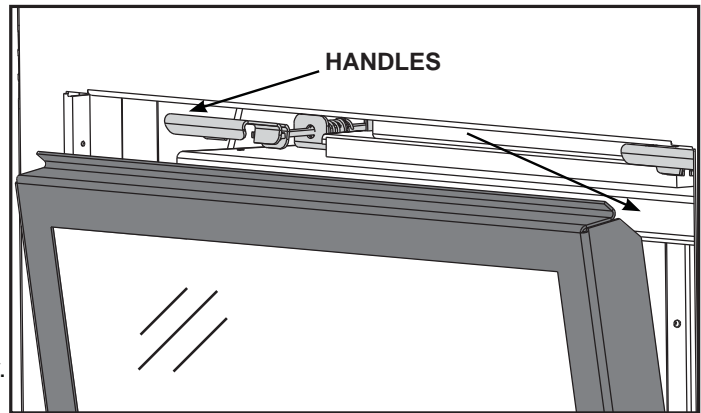
6.2 ENLÈVEMENT ET INSTALLATION DE LA PORTE VITRÉE

Avant de pouvoir retirer la porte vitrée, le contour avec écran de protection doit être retiré. Consultez la section « RETRAIT ET INSTALLATION DE L'ÉCRAN DE PROTECTION ».

La porte vitrée est maintenue en place par deux loquets situés en haut sur le devant de l'appareil. Tirez les poignées des loquets vers l'avant, puis retirez les loquets du cadre de porte afin de libérer le haut de la porte. Pivotez ensuite le haut de la porte vers l'avant jusqu'à ce que vous puissiez saisir les côtés. Soulevez la porte hors du dispositif de retenue inférieur.

REMARQUE : Ces loquets servent de système de décompression à ressorts pour l'appareil. Assurez-vous qu'ils ouvrent sans restriction et qu'ils ferment de façon étanche.

Faites le processus inverse pour réinstaller la porte et le contour avec écran de protection. Assurez-vous que le contour avec écran de protection est installé correctement.



FR

6.3 DISPOSITION DES BÛCHES

! AVERTISSEMENT

OMETTRE DE POSITIONNER LES BÛCHES CONFORMÉMENT AUX SCHÉMAS OU OMETTRE D'UTILISER UNIQUEMENT DES BÛCHES SPÉCIFIQUEMENT APPROUVÉES POUR CET APPAREIL PEUT CAUSER DES DOMMAGES MATÉRIELS OU DES BLESSURES CORPORELLES.

LES BÛCHES DOIVENT ÊTRE PLACÉES CORRECTEMENT À L'INTÉRIEUR DE L'APPAREIL. NE CHANGEZ PAS LA POSITION DES BÛCHES CAR L'APPAREIL RISQUE DE NE PAS FONCTIONNER ADÉQUATEMENT ET UN RETARD D'ALLUMAGE RISQUE DE SE PRODUIRE.

LES BÛCHES SONT FRAGILES ET DEVRAIENT ÊTRE MANIPULÉES AVEC SOIN.

76.1A

Chacune des bûches est facilement identifiable par son numéro moulé en dessous.

Les bûches PhazerMD et les braises incandescentes exclusives à Wolf Steel Itée créent un effet incandescent réaliste et unique qui est différent dans chaque installation. Prenez le temps de bien installer les braises incandescentes pour obtenir le meilleur effet possible. La couleur des bûches peut varier. Lors de la première utilisation de l'appareil, les couleurs deviendront plus uniformes à mesure que leurs pigments seront « absorbés » pendant le procédé de « cuisson ».

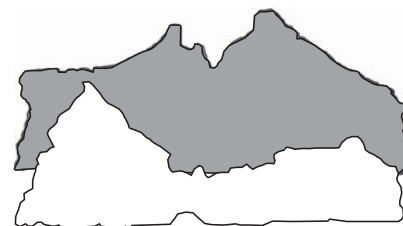
LOG IDENTIFICATION CHART

BÛCHE	HD35-1	HD40-1	HD46-1
BÛCHE ARRIÈRE	W135-0339	W135-0339	W135-0339
BÛCHE CENTRALE	W135-0409	W135-0409	W135-0409
BÛCHE GAUCHE	W135-0406	W135-0406	W135-0406
BÛCHE DROITE	W135-0407	W135-0407	W135-0407
BANDE DE CHARBON DE BOITE	W135-0408	W135-0408	W135-0408
BÛCHE DE BASE GAUCHE	N/A	N/A	W135-0392
BÛCHE DE BASE DROITE	N/A	N/A	W135-0393

- A.** Sur le support à l'arrière, placez la bûche arrière (W135-0339). Assurez-vous que la bûche est bien appuyée sur le support arrière et insérée sur la tige centrale.

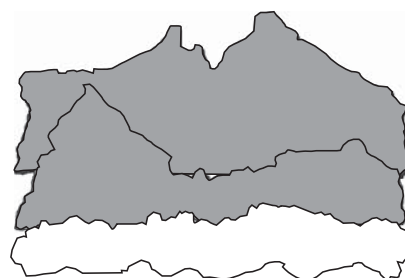


- B.** Placez la bûche centrale (W135-0409) sur le dessus du plateau du brûleur. Utilisez les deux ouvertures au bas de la bûche pour la placer sur les deux tiges du plateau du brûleur.

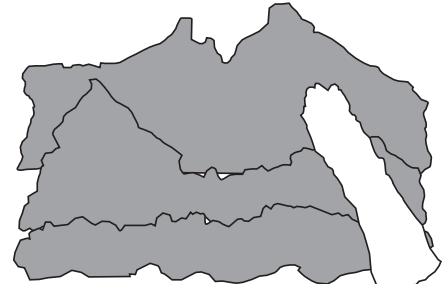


- C.** **HD35-1/HD40-1:** Placez la bande de charbon de bois (W135-0408) sur le dessus de la grille avant. Emboîtez les deux entailles découpées sur les deux tiges centrales de la grille avant.

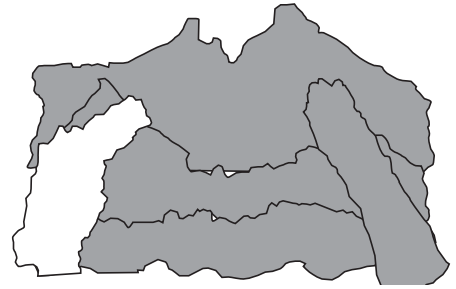
HD46-1: Placez la bande de charbon de bois (W135-0408) sur le support de la bande simili-braises.



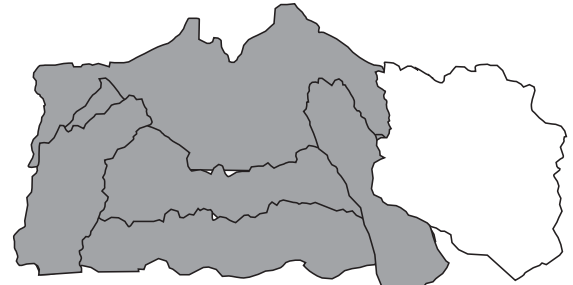
- D.** Placez la bûche droite (W135-0407) sur le dessus de la bûche centrale en plaçant les ouvertures rectangulaires au bas de la bûche droite sur le bouton de la bûche centrale. L'extrémité de la bûche avec une entaille sera déposée contre la tige située à l'arrière et à droite de la grille avant.



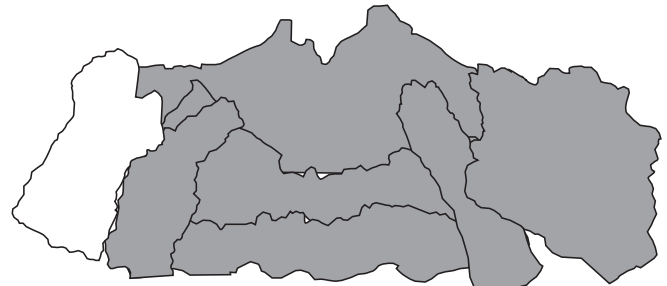
- E.** Placez la bûche gauche (W135-0406) en plaçant les ouvertures rectangulaires au bas pour positionner la bûche gauche sur le bouton situé à gauche sur la bûche centrale. L'entaille sur l'extrémité inférieure de la bûche vient s'emboîter sur la grille (extrémité avant gauche).



- F. HD46-1 SEULEMENT:** Placez la bûche de base de droite (W135-0393). Insérez les deux tiges sur la droite dans l'ouverture rectangulaire du bas, comme illustré.



- G. HD46-1 SEULEMENT:** Placez la bûche de base de gauche (W135-0392). Insérez la tige à la gauche du support dans l'ouverture rectangulaire du bas de la bûche de gauche.



6.4 BRAISES INCANDESCENTES

Déchirez les braises incandescentes en morceaux et placez-les le long de la première rangée des orifices du brûleur en couvrant toute la surface à l'avant des petites bûches. Les braises devraient être déchirées très soigneusement en petits morceaux minces irréguliers, car seuls les côtés exposés des fibres deviendront incandescentes. **Les braises seront incandescentes seulement lorsqu'elles sont exposées à une flamme directe; cependant, prenez bien garde de ne pas boucher les orifices du brûleur.**

Le blocage des orifices du brûleur peut créer une flamme irrégulière, des dépôts de carbone et un retard d'allumage. Les bûches **PHAZER^{MD}** rougeoient lorsqu'elles sont exposées à une flamme directe. N'utilisez que des braises incandescentes et des bûches certifiées **PHAZER^{MD}**, disponibles chez votre détaillant autorisé.



6.5 LES BRAISES DE CHARBON

Éparpillez les braises à l'avant et sur les côtés du support à bûches de façon à créer un effet réaliste. **N'utilisez pas la fine poussière qui reste au fond du sac.**

NOTE : Les braises de charbon de bois ne doivent pas être placées sur le brûleur.

32.1

6.6 VERMICULITE OPTIONNELLE

Éparpillez la vermiculite autour des braises de charbon de bois.

NOTE : La vermiculite ne doit pas être placée sur le brûleur.

33.1

6.7 PIERRE DE LAVE

Pierre de lave doit être répartie uniformément autour du brûleur sur la base du foyer.

NOTE: Pierre de lave est de ne pas être placé sur le brûleur.

6.8 MORCEAUX DE CHARBON DE BOIS OPTIONNELS (INCLUS AVEC LE HD46-1)

! AVERTISSEMENT

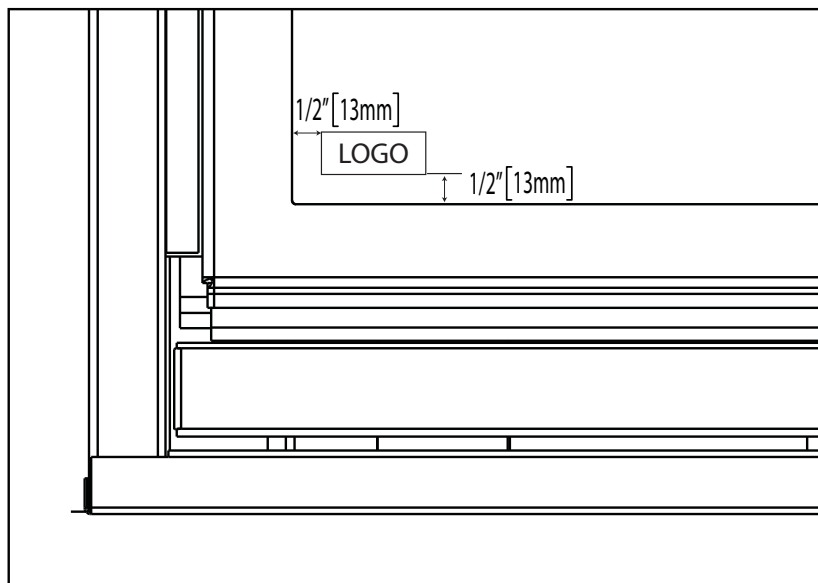
LES BRAISES DE CHARBON DE BOIS, LA VERMICULITE ET LES MORCEAUX DE CHARBON NE DOIVENT PAS ÊTRE PLACÉS SUR LE BRÛLEUR.

Placez les morceaux de charbon devant les bûches de façon réaliste. Prenez garde de ne pas bloquer les orifices du brûleur.

34.1

6.9 MISE EN PLACE DU LOGO

Retirez le papier dorsal du logo et placez-le sur la porte vitrée ou le panneau d'accès inférieur tel qu'indiqué.



7.0 INSTALLATION DU SOUFFLERIE OPTIONNELLE

! AVERTISSEMENT
RISQUE D'INCENDIE ET DE CHOC ÉLECTRIQUE.
COUPEZ L'ALIMENTATION EN GAZ ET L'ALIMENTATION ÉLECTRIQUE AVANT DE PROCÉDER À L'ENTRETIEN DE L'APPAREIL.
N'UTILISEZ QUE LES ACCESSOIRES OPTIONNELS ET LES PIÈCES DE RECHANGE APPROUVÉS PAR WOLF STEEL POUR CET APPAREIL. L'UTILISATION D'ACCESSOIRES NON LISTÉS (SOUFFLERIE, PORTES, PERSIENNES, MOULURES, COMPOSANTS DE GAZ, COMPOSANTS D'ÉVACUATION, ETC.) POURRAIT ÊTRE NON SÉCURITAIRE ET ANNULERA LA GARANTIE ET LA CERTIFICATION.
AFIN DE PRÉVENIR LES CHOCS ÉLECTRIQUES ET LES DOMMAGES CAUSÉS PAR LE FEU, ASSUREZ-VOUS QUE LE CORDON D'ALIMENTATION DU VENTILATEUR N'ENTRE PAS EN CONTACT AVEC QUELCONQUE SURFACE DE L'APPAREIL. NE FAITES PAS PASSER LE CORDON D'ALIMENTATION SOUS L'APPAREIL.
LE HARNAIS DE FILS FOURNI DANS L'ENSEMBLE DE SOUFFLERIE EST UN HARNAIS UNIVERSEL. LORS DE SON INSTALLATION, ASSUREZ-VOUS QUE TOUT EXCÈS DE FIL EST CONFINÉ, L'EMPÊCHANT AINSI D'ENTRER EN CONTACT AVEC DES OBJETS CHAUDS OU MOBILES.

51.5

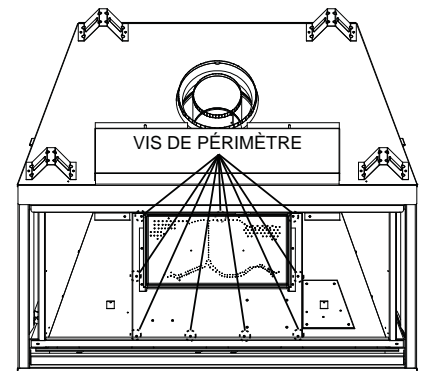
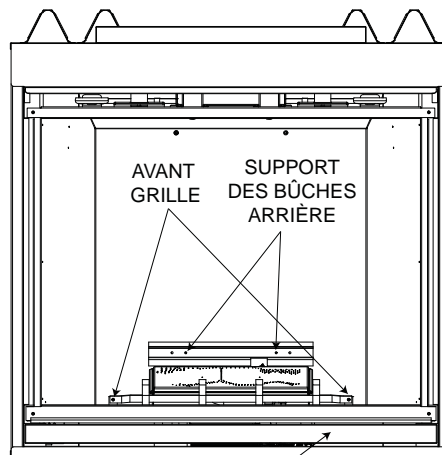
FR

6.10 ACCÈS À LA SOUFFLERIE

! WARNING
FAITES BIEN ATTENTION À NE PAS ENDOMMAGER LE JOINT D'ÉTANCHÉITÉ DU BRÛLEUR. UN JOINT D'ÉTANCHÉITÉ DE RECHANGE PEUT ÊTRE COMMANDÉ CHEZ VOTRE DÉTAILLANT/ DISTRIBUTEUR AUTORISÉ.

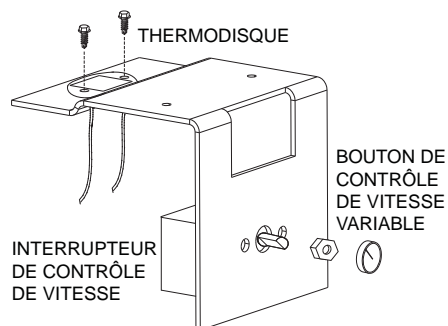
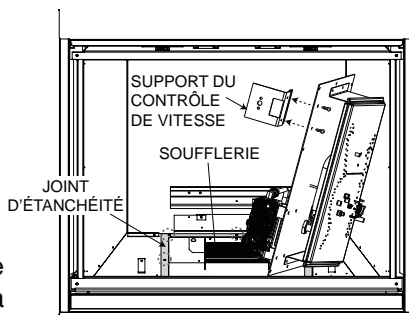
REMARQUE : Si des panneaux de briques optionnels ont été installés, ils devront être enlevés avant de procéder.

- A.** Retirez le panneau d'accès aux commandes.
- B.** Pour retirer la porte, consultez la section « RETRAIT ET INSTALLATION DE LA PORTE ».
- C.** Retirez délicatement l'ensemble de bûches et les panneaux de briques optionnels (si installés). Consultez la section « DISPOSITION DES BÛCHES ».
- D.** Enlevez les deux vis servant à fixer la grille avant.
- E.** Retirez les deux vis servant à fixer le support à bûche arrière.
- F.** Enlevez les neuf vis sur le pourtour, comme illustré, puis retirez l'assemblage de la base du brûleur et le joint. (Le raccord flexible de l'alimentation en gaz devrait être suffisamment mobile pour permettre de déplacer l'assemblage vers le côté.)



7.1 INSTALLATION DE LA SOUFFLERIE

- A. Ouvrez l'ensemble de soufflerie et retirez le thermodisque du support. Retirez le support de commande de la vitesse de la base du brûleur. Installez le thermodisque et le commutateur de commande sur le support de commande de vitesse et fixez le tout à la base du brûleur.
- B. Inversez la procédure pour réassembler.



L'INSTALLATION DOIT ÊTRE FAITE PAR UN INSTALLATEUR QUALIFIÉ et doit être raccordée électriquement et mise à la terre conformément aux codes locaux. En l'absence de codes locaux, utilisez la version courante du Code canadien de l'électricité CSA C22 .1 au Canada ou le National Electrical Code ANSI/NFPA 70 aux États-Unis.

La poussière de gypse pénétrera dans le roulement à billes de la soufflerie causant ainsi des dommages irréparables. Vous devez éviter que cette poussière n'entre en contact avec la soufflerie ou son compartiment. Tout dommage causé par ce problème ne sera pas couvert par la garantie. Pour installer la soufflerie de façon sécuritaire, commencez par débrancher le courant.

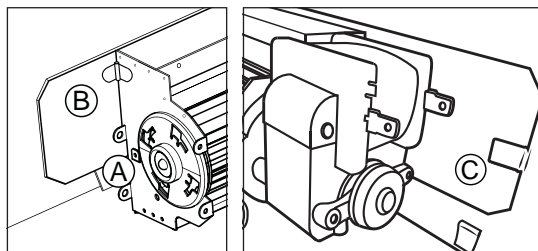
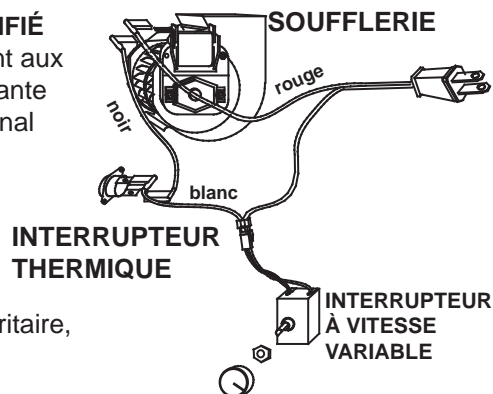
Insérez le coussinet amortisseur (A) dans la pince (C) et glissez-le jusqu'à la tige filetée (B) à l'autre extrémité. La soufflerie doit pouvoir être entièrement placée sur le coussinet.

Reliez les raccords des fils noir et blanc au thermodisque.

Reliez les raccords des fils noir et rouge à la soufflerie.

Branchez le cordon d'alimentation dans le réceptacle.

La soufflerie étant actionnée par la chaleur lorsque l'interrupteur est à « ON », elle se mettra automatiquement en marche, environ 10 minutes après l'allumage du foyer et fonctionnera de 30 à 45 minutes environ après l'arrêt du foyer. L'utilisation de la soufflerie accroît le débit de chaleur.



8.0 SCHÉMA DE CÂBLAGE / INFORMATION ÉLECTRIQUE

! AVERTISSEMENT
N'UTILISEZ PAS CE FOYER SI UNE PARTIE QUELCONQUE A ÉTÉ SUBMERGÉE. CONTACTEZ IMMÉDIATEMENT UN TECHNICIEN DE SERVICE QUALIFIÉ POUR INSPECTER L'APPAREIL POUR DES DOMMAGES AU CIRCUIT ÉLECTRIQUE.
RISQUE DE CHOCS ÉLECTRIQUES OU D'EXPLOSION. NE BRANCHEZ PAS LE 110 V À LA SOUPAPE OU À L'INTERRUPTEUR MURAL DE L'APPAREIL. UN BRANCHEMENT ÉLECTRIQUE INCORRECT ENDOMMAGERA LES CONTRÔLES.
CET APPAREIL DOIT ÊTRE RACCORDÉ ÉLECTRIQUEMENT PAR UN ÉLECTRICIEN QUALIFIÉ CONFORMÉMENT AUX CODES LOCAUX. EN L'ABSENCE DE CODES LOCAUX, UTILISEZ LA VERSION COURANTE DU CODE CANADIEN DE L'ÉLECTRICITÉ CSA C22.1 AU CANADA OU LE NATIONAL ELECTRICAL CODE ANSI/NFPA 70 AUX ÉTATS-UNIS.
ALLUMEZ TOUJOURS LA VEILLEUSE, QUE CE SOIT POUR LA PREMIÈRE FOIS OU LORSQUE L'APPROVISIONNEMENT EN GAZ EST ÉPUISÉ, AVEC LA PORTE VITRÉE OUVERTE OU RETIRÉE.

69.2

8.1 LES EXIGENCES DE CÂBLAGE

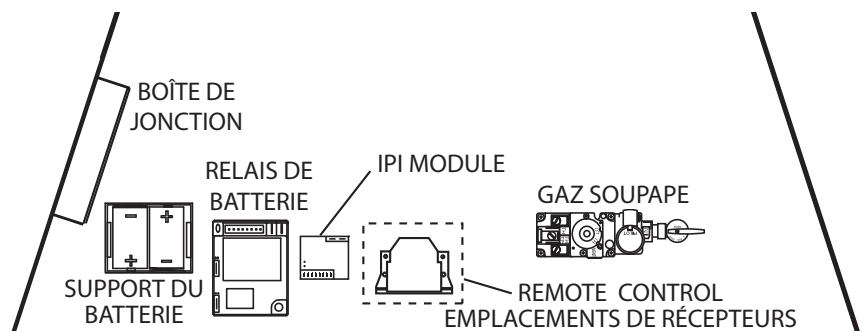
- A. Cet appareil doit être raccordé électriquement et mis à la terre conformément aux codes locaux. En l'absence de codes locaux, utilisez la version courante du CODE CANADIEN DE L'ÉLECTRICITÉ CSA C22.1 au Canada ou du NATIONAL ELECTRICAL CODE ANSI/NFPA 70-1996 aux États-Unis.
- B. Une basse tension et une tension de 110 V c.a. ne peuvent pas être partagées au sein de la même boîte murale.
- C. Branchez les fils de la boîte de dérivation de l'appareil à une source d'alimentation de 110 V c.a. pour assurer le bon fonctionnement de l'appareil.
- D. Reportez-vous à la section « SCHÉMA DE CÂBLAGE ».
- E. Cet appareil est muni d'une soupape de contrôle électronique qui fonctionne avec une alimentation de 3 V.
- F. Branchez le transformateur pour 3 V c.a. dans la boîte de dérivation de l'appareil pour l'alimenter. Installez deux piles de format D (non incluses) dans le compartiment à piles avant d'utiliser l'appareil (nécessaire seulement si l'appareil doit fonctionner pendant une panne de courant).

8.2 EXIGENCES POUR LES ACCESSOIRES OPTIONNELS

- A. Cet appareil peut être utilisé avec un interrupteur mural ou une télécommande.
- B. Le câblage requis pour les accessoires optionnels approuvés par Wolf Steel devrait être fait maintenant pour vous éviter des travaux de reconstruction. Suivez les instructions fournies avec ces accessoires.
- C. Le compartiment à piles, le module de contrôle IPI et le récepteur de la télécommande peuvent être accessibles en passant par l'avant, entre la chambre de combustion et le bas du panneau de finition.
- D. Le compartiment à piles, le module de contrôle IPI et le récepteur de la télécommande doivent être fixés à l'intérieur du panneau de finition avec du Velcro.

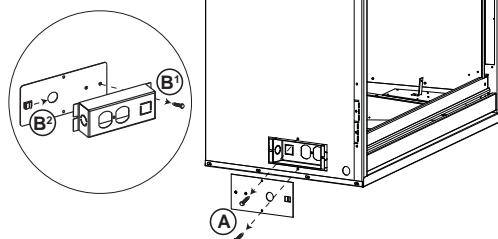
EMPLACEMENT OPTIONNEL DU RÉCEPTEUR DE LA TÉLÉCOMMANDE

- E. Différentes possibilités sont suggérées pour l'emplacement du récepteur de la télécommande, comme cela est indiqué dans cette illustration.



8.3 INSTALLATION DE LA BOÎTE DE DÉRIVATION

- A. Retirez les deux vis qui fixent l'assemblage de la boîte de dérivation à la paroi extérieure sur le côté gauche du foyer et retirez l'ensemble de la boîte de dérivation.
- B. Retirez la vis qui fixe la boîte de dérivation à la plaque de la boîte de dérivation et faites glisser de l'attache.
- C. En passant à travers l'ouverture de la plaque de la boîte de dérivation de 7/8 po (22 mm), acheminez le fil d'alimentation dans un connecteur de boîte (non fourni).
- D. Branchez le fil d'alimentation de 120 volts au réceptacle conformément au Code canadien de l'électricité CSA C22.1 (au Canada) ou au National Electrical Code ANSI / NFPA 70-1996 (aux États-Unis).
- E. Une fois le câblage terminé, réinstallez la boîte de dérivation à la plaque de la boîte de dérivation et reposez la vis qui a été retirée à l'étape B.
- F. Réinstallez l'assemblage de la boîte de dérivation en refaisant l'étape A en sens inverse et faites en sorte que toutes les fiches sont bien attachées dans la boîte de dérivation.



REMARQUE : Si l'appareil est déjà installé à l'intérieur de l'enceinte, vous pouvez accéder à la boîte de dérivation depuis l'intérieur de l'appareil en retirant l'ensemble de la base du brûleur. Consultez la section « ACCÈS À LA SOUFFLERIE ».

8.4 SCHÉMA DE CÂBLAGE

! AVERTISSEMENT

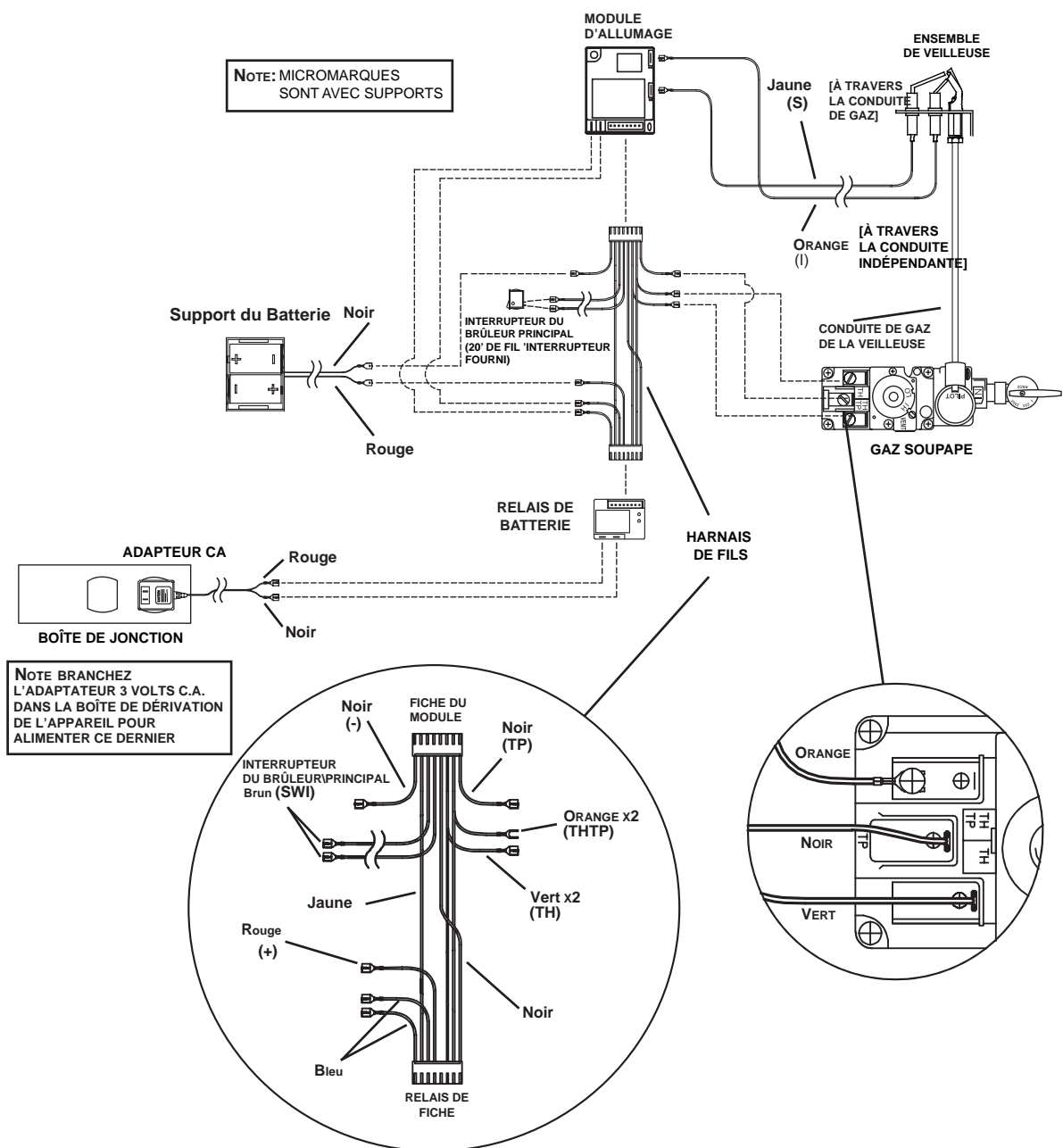
NE CONNECTEZ PAS LA SOUPE ou L'INTERRUPTEUR MURAL À UNE ALIMENTATION DE 100 VOLTS.

Pour faire fonctionner le brûleur, un interrupteur mural doit être installé dans un endroit pratique.

La longueur maximale dépend du calibre du fil :

<u>CALIBRE DE FIL</u>	<u>MAX. LONGUEUR</u>
14 gauge	100 feet (30m)
16 gauge	60 feet (18m)
18 gauge	40 feet (12m)

Un fil de 20 pi (6 m) de longueur est relié aux broches de raccordement du brûleur principal. Connectez ce fil à l'interrupteur mural. Cependant, si un fil plus grand est requis, passez un fil à deux brins (noyau solide) dans l'ouverture électrique située dans le bas, du côté gauche de l'appareil.



9.0 OPÉRATION

FR

! AVERTISSEMENT

SI CES INSTRUCTIONS NE SONT PAS SUIVIES À LA LETTRE, UN INCENDIE OU UNE EXPLOSION POURRAIENT S'ENSUIVRE, CAUSANT DES DOMMAGES MATÉRIELS, DES BLESSURES CORPORELLES OU DES PERTES DE VIE.

ALLUMEZ TOUJOURS LA VEILLEUSE, QUE CE SOIT POUR LA PREMIÈRE FOIS OU LORSQUE L'APPROVISIONNEMENT EN GAZ EST ÉPUISÉ, AVEC LA PORTE VITRÉE OUVERTE OU RETIRÉE.

Assurez-vous que l'arrivée de gaz au brûleur est continue avant d'installer la porte. Lorsqu'il est allumé pour la première fois, l'appareil dégagera une légère odeur pendant quelques heures dans les appareils plus grands, cela peut être plus long dépendant au taille. Cela est une condition normale temporaire causée par le conditionnement des bûches et l'évaporation des peintures et lubrifiants internes utilisés dans le processus de fabrication; elle ne se reproduira plus. Après de longues périodes sans utiliser l'appareil, comme à la suite de vacances ou à la fin de l'été, il se peut qu'une légère odeur se dégage pendant quelques heures. Ceci est causé par des particules de poussière brûlant dans l'échangeur de chaleur. Dans les deux cas, ouvrez une fenêtre pour aérer la pièce.

POUR VOTRE SÉCURITÉ, LISEZ CE QUI SUIT AVANT D'ALLUMER L'APPAREIL :

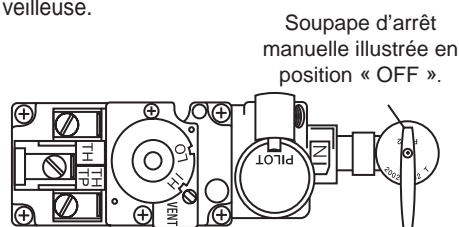
- Cet appareil est équipé d'un dispositif d'allumage qui allume automatiquement la veilleuse. N'essayez pas de l'allumer manuellement.
- Avant d'allumer, sentez autour de l'appareil et près du plancher afin de vous assurer qu'il n'y a pas de fuite de gaz. Certains gaz sont plus lourds que l'air et se déposeront au niveau du plancher.
- N'utilisez que votre main pour tourner le bouton de contrôle du gaz. N'utilisez jamais d'outils. Si le bouton ne tourne pas manuellement, n'essayez pas de le réparer. Contactez un technicien de service qualifié. Forcer le bouton ou tenter de réparer le mécanisme pourrait causer un feu ou une explosion.
- N'utilisez pas cet appareil si une partie quelconque a été submergée. Appelez un technicien qualifié immédiatement pour inspecter l'appareil et pour remplacer toute pièce du système de contrôle et du contrôle du gaz qui aurait été submergée.

QUE FAIRE SI VOUS DÉTECTEZ UNE ODEUR DE GAZ :

- Coupez l'alimentation en gaz à l'appareil.
- Ouvrez les fenêtres.
- N'allumez aucun appareil.
- Ne touchez à aucun interrupteur électrique; n'utilisez aucun téléphone dans votre immeuble.
- De la maison d'un voisin, appelez immédiatement votre fournisseur de gaz et suivez ses instructions.
- Si vous ne pouvez pas joindre votre fournisseur de gaz, appelez le service des incendies.

INSTRUCTIONS D'ALLUMAGE :

- ARRÊTEZ! Lisez les consignes de sécurité sur l'étiquette de fonctionnement.
- Mettez l'interrupteur mural à la position « OFF ».
- Coupez l'alimentation électrique à l'appareil et enlevez les piles.
- Cet appareil est équipé d'un dispositif d'allumage qui allume automatiquement la veilleuse. N'essayez pas de l'allumer manuellement.
- Tournez le bouton de contrôle du gaz vers la droite à « OFF ».
- Ouvrez la porte vitrée.
- Attendez 5 minutes pour que le gaz puisse s'échapper. Si vous détectez une odeur de gaz, incluant au niveau du plancher, ARRÊTEZ! Suivez la section « B » sur l'étiquette de fonctionnement. Continuez à l'étape suivante si vous ne sentez pas de gaz.
- Fermez la porte vitrée.
- Tournez le bouton de contrôle du gaz vers la gauche à « ON ».
- Rétablissez l'alimentation électrique à l'appareil, et réinstallez les piles.
- Remettez l'interrupteur mural à la position « ON ».
- Si l'appareil ne fonctionne pas, suivez les INSTRUCTIONS POUR COUPER LE GAZ, puis téléphonez à votre technicien de service ou votre fournisseur de gaz.



INSTRUCTIONS POUR COUPER LE GAZ :

- Mettez l'interrupteur mural de l'appareil à la position « OFF ».
- Coupez l'alimentation électrique à l'appareil si un travail d'entretien doit se faire.
- Tournez la soupape d'arrêt manuelle vers la droite à « OFF ». Ne forcez pas.

47.6A

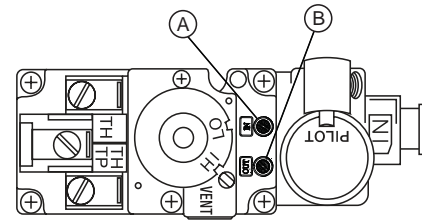
10.0 RÉGLAGES

10.1 RÉGLAGE DE LA VEILLEUSE

Lecture des pressions :

Pour vérifier la pression d'arrivée, tournez deux ou trois fois la vis (A) vers la gauche, puis emboîtez le tube du manomètre sur la pointe d'essai. Le manomètre doit indiquer la pression comme décrit sur le diagramme ci-dessous. Assurez-vous que le brûleur principal fonctionne à « HI ».

La pression de sortie peut être vérifiée de la même façon en utilisant la vis (B). Le manomètre doit indiquer la pression comme décrit sur le diagramme ci-dessous. Assurez-vous que le brûleur principal fonctionne à « HI ».



APRÈS AVOIR PRIS LA LECTURE DES PRESSIONS, ASSUREZ-VOUS DE TOURNER FERMEMENT LA VIS VERS LA DROITE POUR SCELLER. NE SERREZ PAS TROP FORT.

Vérifiez pour des fuites en appliquant une solution d'eau savonneuse.

Avant d'effectuer le réglage de la veilleuse, assurez-vous que l'assemblage de la veilleuse n'a pas été peint. S'il y a des traces de peinture ou de surpulpvrisation, enlevez-les de l'assemblage de la veilleuse ou remplacez-le. Une toile d'émeri ou du papier sablé fins peut être utilisé pour enlever la peinture sur la hotte de la veilleuse, sur l'électrode et sur le capteur de flamme.

*Pression d'alimentation maximale ne devant pas dépasser 13"

Pression	Gaz Naturel (pouces)	Gaz Naturel (millibars)	Propane (pouces)	Propane (millibars)
Arrivée	7" (min.4,5")*	17,4 mb (min.11,2mb)	13" (min.11")	32,4 mb (min.27,4mb)
Sortie	3,5"	8,7 mb	10"	24,9 mb

39.5C

10.2 RÉGLAGE DU VENTURI

L'ouverture du volet d'air a été pré-réglée en usine selon le tableau ci-dessous :

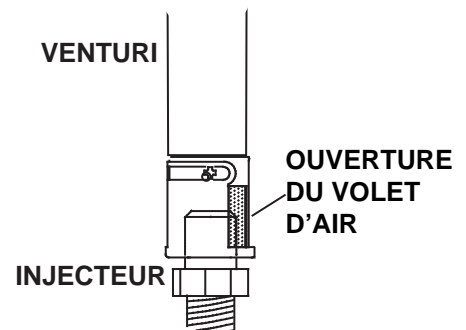
Indépendamment de l'orientation du venturi, plus le volet est fermé, plus la flamme est jaune et aura tendance à causer des dépôts de carbone. Plus le volet est ouvert, plus la flamme est bleue et plus elle a tendance à se détacher des orifices du brûleur. La flamme peut ne pas être jaune immédiatement; allouez de 15 à 30 minutes pour que la couleur finale de la flamme se stabilise.

LE RÉGLAGE DU VOLET D'AIR DOIT ÊTRE EXÉCUTÉ PAR UN TECHNICIEN OU INSTALLATEUR QUALIFIÉ!

Pour accéder au volet d'air, retirez le panneau d'accès, retirez la porte vitrée et retirez soigneusement l'ensemble de bûches. Retirez les quatre vis fixées au plateau du brûleur. Faites glisser le plateau du brûleur vers la gauche (plus ou moins 1 po [25 mm]), puis soulevez-le.

Les volets d'air ont été pré-réglés en usine selon le tableau de réglage du venturi.

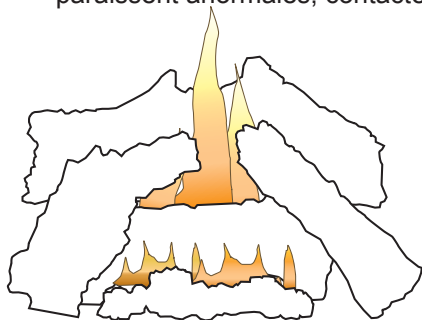
Tableau de réglages. Ces réglages sont pour une course maximale avec terminaison horizontale. D'autres réglages peuvent être nécessaires selon le type de gaz utilisé, la configuration d'évacuation et l'altitude.



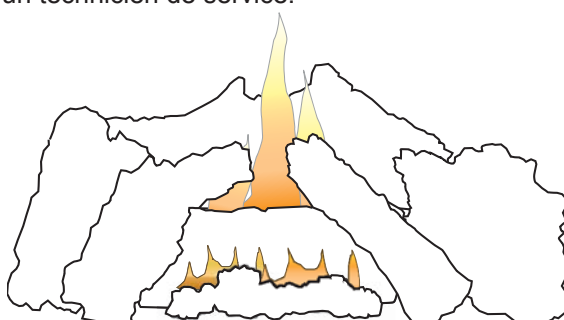
VENTURI TABLEAU DE RÉGLAGE			
FUEL	HD35-1	HD40-1	HD46-1
NG	1/8" (3mm)	1/8" (3mm)	1/8" (3mm)
LP	3/8" (10mm)	7/16" (11mm)	7/16" (11mm)

10.3 CARACTÉRISTIQUES DE LA FLAMME

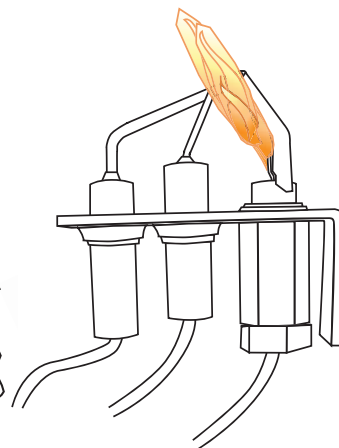
Il est important d'effectuer périodiquement une inspection visuelle de la flamme de la veilleuse et du brûleur. Comparez-les à ces illustrations. Si des flammes paraissent anormales, contactez un technicien de service.



HD35-1 / HD40-1



HD46-1



54.3

FR

11.0 ENTRETIEN

⚠ AVERTISSEMENT

COUPEZ L'ALIMENTATION EN GAZ ET L'ALIMENTATION ÉLECTRIQUE AVANT DE PROCÉDER À L'ENTRETIEN DE L'APPAREIL.

L'APPAREIL PEUT ÊTRE CHAUD. ATTENDEZ QU'IL SOIT REFROIDI AVANT D'EN FAIRE L'ENTRETIEN.

N'UTILISEZ PAS DE PRODUITS ABRASIFS.

NE PEINTURE PAS L'ASSEMBLAGE DU VEILLEUSE.

Assurez-vous que l'appareil fonctionne adéquatement une fois l'entretien terminé. Cet appareil et son système d'évacuation devraient être inspectés avant la première utilisation et au moins une fois l'an par un technicien de service qualifié. Les vérifications suggérées doivent être effectuées par un technicien qualifié. L'espace entourant l'appareil doit être gardé propre et libre de matériaux combustibles, d'essence ou autres liquides et vapeurs inflammables. Les apports d'air comburant et d'air de convection ne doivent pas être obstrués.

ATTENTION : Lors de l'entretien des contrôles, assurez-vous d'identifier chacun des fils avant de les débrancher. Une réinstallation incorrecte des fils peut occasionner un mauvais fonctionnement et être dangereuse.

- A. Pour nettoyer le brûleur principal et la veilleuse adéquatement, il faut retirer les bûches, les roches ou la vitre afin de dégager les deux ensembles.
- B. Gardez le compartiment des contrôles, les composants décoratifs, le brûleur, le volet d'air et l'espace entourant les bûches propres en brossant ou en passant l'aspirateur au moins une fois l'an.
- C. Assurez-vous que tous les orifices des brûleurs produisent des flammes. Nettoyez tous les orifices qui n'ont pas de flamme ou dont la flamme ne brûle pas adéquatement.
- D. Assurez-vous que la flamme de la veilleuse est assez puissante pour envelopper la sonde de flamme et/ou le thermocouple/thermopile et qu'elle atteigne le brûleur.
- E. Remettez en place les bûches, les roches ou la vitre nettoyées, si équipé. Omettre de positionner les composants décoratifs adéquatement peut causer des dépôts de carbone qui peuvent se déposer à l'intérieure de la chambre de combustion et sur les surfaces extérieures entourant d'évent.
- F. Vérifiez si le brûleur principal allume sur tous les orifices lorsque le bouton de contrôle du gaz est à « ON ». Un temps d'allumage total de 5 à 10 secondes est satisfaisant. Service selon les besoins.
- G. Vérifiez si les joints d'étanchéité sur les côtés, le haut et le bas de la porte ne sont pas brisés ou manquants. Remplacez si nécessaire.
- H. Si pour une raison quelconque le système d'évents de prise d'air est démonté, réinstallez et rescellez-le selon les instructions fournies dans l'installation initiale.
- I. Il est possible que l'écran de protection (pare-étincelles) nécessite un nettoyage occasionnel en raison des peluches/poussières provenant des tapis, des animaux, etc. il suffit de passer l'aspirateur à l'aide de l'embout avec une brosse.
- J. Vérifiez si le système de décharge effectue efficacement. Vérifiez si les joints d'étanchéité ne sont pas brisés ou manquants. Remplacez si nécessaire.

40.1E

11.1 ENTRETIEN ANNUEL

 AVERTISSEMENT
LE CAISSON DEVIENT TRÈS CHAUD LORS DU FONCTIONNEMENT. LAISSEZ L'APPAREIL SE REFROIDIR COMPLÈTEMENT OU PORTEZ DES GANTS ANTICHALEUR AVANT D'EFFECTUER L'ENTRETIEN.
NE JAMAIS ASPIRER DES BRAISES QUI SONT CHAUDES.
NE PEINTUREZ PAS L'ASSEMBLAGE DE LA VEILLEUSE.

FR

- Cet appareil nécessite un entretien qui devra être effectué sur une base annuelle.
- L'entretien devrait inclure un nettoyage, le remplacement des piles, une inspection du système d'évent, du brûleur, des éléments décoratifs internes et de la chambre de combustion. Consultez la section pour l'enlèvement de la porte et retirez la porte comme indiqué.
- Enlevez soigneusement les éléments décoratifs internes s'il y a lieu (bûches, braises de verre, panneaux de brique, etc.)
- À l'aide d'un aspirateur muni d'une brosse souple, aspirez les saletés, les débris et les dépôts de carbone sur les bûches, la chambre de combustion et le brûleur. Pour les braises de verre, suivez les instructions de prénettoyage.
- Enlevez aussi tout dépôt se trouvant sur l'assemblage de la veilleuse et aussi, s'il y a lieu, sur la thermopile, le thermocouple, le capteur de flamme et l'allumeur. **NOTE: Vous devez nettoyer le capteur de flamme à l'aide d'un morceau de laine d'acier ou un tampon récurage (Scotch-Brite™) afin de retirer toute trace d'oxydation. Nettoyez l'assemblage du pilote à l'aide d'un aspirateur muni d'une brosse souple. Il est important de ne pas peindre l'assemblage de la veilleuse.**
- Inspectez tous les joints d'étanchéité accessibles et remplacez-les au besoin.
- Accédez à la soufflerie, s'il y a lieu, puis nettoyez à l'aide d'une brosse souple et d'un aspirateur.
- Réinstallez tous les composants dans l'ordre inverse.
- Inspectez le système de surpression. L'appareil dissipe la pression par la porte vitrée ou par les clapets sur le dessus du caisson. Assurez-vous qu'ils ouvrent sans restriction et qu'ils ferment de façon étanche.
- Vérifiez si la soupape de gaz de la veilleuse et les boutons Hi / Lo bougent librement (s'il y a lieu) - remplacez si vous constatez de la rigidité dans le mouvement.
- Vérifiez tous les branchements du gaz pour des fuites de gaz, en amont et en aval de la soupape de gaz incluant les connexions du tube de la veilleuse.

37.1E

11.2 CHANGEMENT DU VERRE DE LA PORTE

! AVERTISSEMENT

N'UTILISEZ PAS DE MATÉRIAUX DE SUBSTITUTION.

LA VITRE PEUT ÊTRE CHAUDE, NE TOUCHEZ PAS LA VITRE JUSQU'À CE QU'ELLE AIT REFROIDI.

USEZ DE PRUDENCE LORSQUE VOUS ENLEVEZ ET JETEZ DES DÉBRIS DE VERRE OU DES COMPOSANTS ENDOMMAGÉS. ASSUREZ-VOUS D'ASPIRER TOUS LES DÉBRIS DE VERRE À L'INTÉRIEUR DE L'APPAREIL AVANT DE LE FAIRE FONCTIONNER.

NE FRAPPEZ PAS, NE CLAQUEZ PAS ET N'ÉGRATIGNEZ PAS LA PORTE VITRÉE. NE FAITES PAS FONCTIONNER L'APPAREIL LORSQUE LA PORTE VITRÉE EST ENLEVÉE, FISSURÉE, BRISÉE OU ÉGRATIGNÉE.

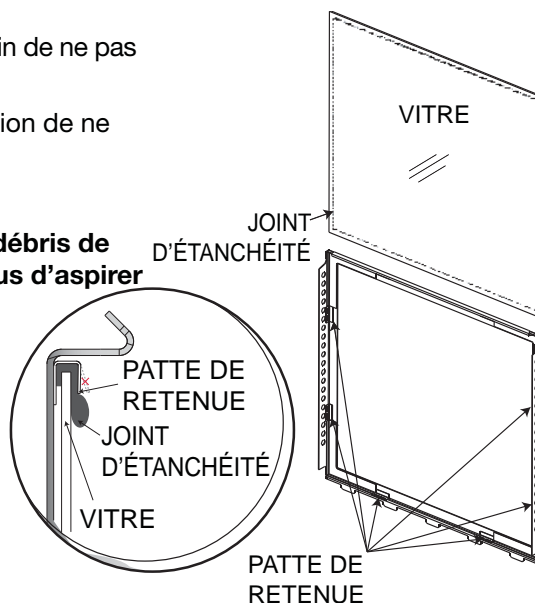
56.2

Offert uniquement en ensemble complet avec joint. La vitre n'est pas offerte séparément.

- Placez le cadre de la porte, face vers le bas, en prenant soin de ne pas égratigner la peinture.
- Dépliez les pattes de retenue de la vitre en faisant attention de ne pas les casser.
- Remove the glass from the frame.

NOTE: Usez de prudence lorsque vous enlevez et jetez des débris de verre ou des composants endommagés. Assurez-vous d'aspirer tous les débris de verre à l'intérieur de l'appareil avant de le faire fonctionner.

- Centrez la vitre jointée dans le cadre de la porte en plaçant le côté épais du joint vers le haut.
- Pliez les pattes de retenue de la vitre, situées le long du cadre de la porte, par-dessus le joint retenant la vitre. Assurez-vous que la partie épaisse dépasse la patte de retenue. Prenez garde de ne pas briser la vitre.



11.3 SOINS DE LA VITRE

NE PAS NETTOYER LA VITRE LORSQU'ELLE EST CHAUDE! N'EMPLOYEZ PAS DE DÉTERGENTS ABRASIFS POUR NETTOYER LA VITRE.

Polissez légèrement à l'aide d'un linge propre et sec. Nettoyez les deux côtés de la vitre avec un nettoyeur recommandé après les dix premières heures de fonctionnement. Ne pas utiliser un nettoyant pour vitre du foyer à base d'ammoniaque. Par la suite, nettoyez aussi souvent qu'il le faudra, sinon la vitre risque de rester marquée en permanence.

5.1A



L'appareil est muni d'une 4mm vitre en verre trempé. Remplacez uniquement avec une vitre certifiée pour le foyer disponible chez votre détaillant Napoléon. N'UTILISEZ PAS DE MATÉRIAUX SUBSTITUTS.

5.5

11.4 SOIN DE PIÈCES PLAQUÉES

Si l'appareil est muni de pièces plaquées, vous devez enlever toutes traces de doigts ou autres marques des surfaces plaquées avant d'allumer l'appareil pour la première fois. Utilisez un nettoyant à vitres ou du vinaigre et un linge pour nettoyer. Si la surface plaquée n'est pas bien nettoyée avant le premier allumage de l'appareil, elle risque de rester marquée en permanence. Une fois que la surface plaquée aura chauffé, les traces de doigts et le gras n'affecteront plus la surface et très peu d'entretien sera requis; vous n'aurez qu'à l'essuyer au besoin. Une combustion prolongée à haute température avec la porte ouverte peut causer une décoloration des pièces plaquées.

NOTE: L'emballage de protection sur les pièces plaquées s'enlève mieux lorsque l'assemblage est à température ambiante ou lorsqu'il est chauffé avec un séchoir à cheveux ou une autre source de chaleur similaire.

6.1

FR

12.0 RECHANGES

AVERTISSEMENT

OMETTRE DE POSITIONNER LES PIÈCES CONFORMÉMENT À CE MANUEL OU D'UTILISER UNIQUEMENT DES PIÈCES SPÉCIFIQUEMENT APPROUVÉES POUR CET APPAREIL PEUT CAUSER DES DOMMAGES MATÉRIELS OU DES BLESSURES CORPORELLES.

Contactez votre détaillant pour les questions concernant les prix et la disponibilité des pièces de rechange. Normalement, toutes les pièces peuvent être commandées chez votre détaillant autorisé. **POUR UN REMPLACEMENT DE PIÈCE SOUS GARANTIE, UNE PHOTOCOPIE DE LA FACTURE ORIGINALE SERA REQUISE AFIN DE POUVOIR HONORER LA DEMANDE.**

Lorsque vous commandez des pièces, donnez toujours l'information suivante :

- Modèle et numéro de série de l'appareil
- Date d'installation de l'appareil
- Numéro de la pièce
- Description de la pièce
- Fini

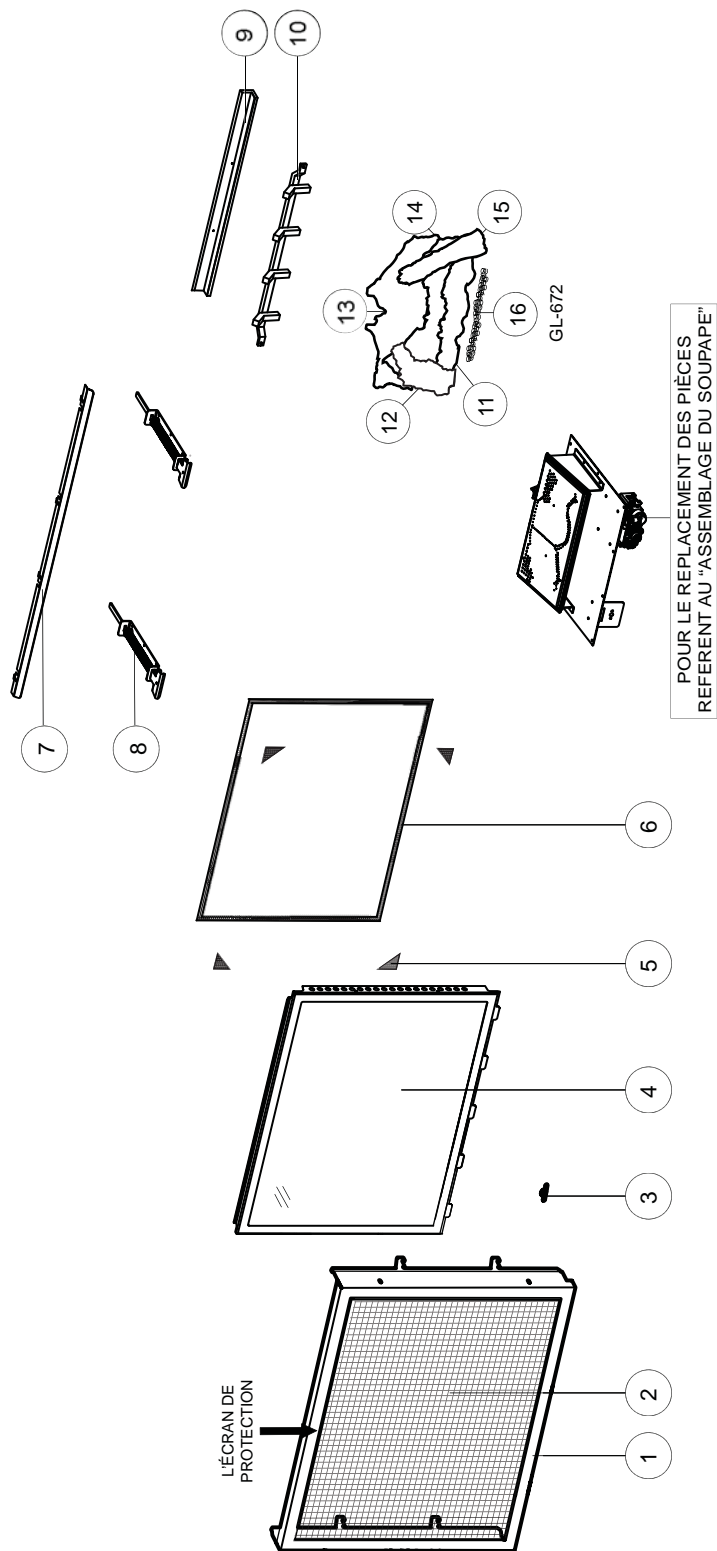
PIÈCES, NUMÉRO DES PIÈCES ET SI'IL SOIT DISPONIBILITÉ PEUT CHANGER SANS PRÉAVIS.

PARTIES IDENTIFIÉES COMME GARNIE SERONT LIVRÉS DANS 2 À 5 JOURS POUR LA PLUPART DES DESTINATIONS DE LIVRAISON.

PIÈCES NON IDENTIFIÉES QUE STOCKÉS SERONT LIVRÉS DANS UN DÉLAI DE 2 À 4 SEMAINES.

41.1B

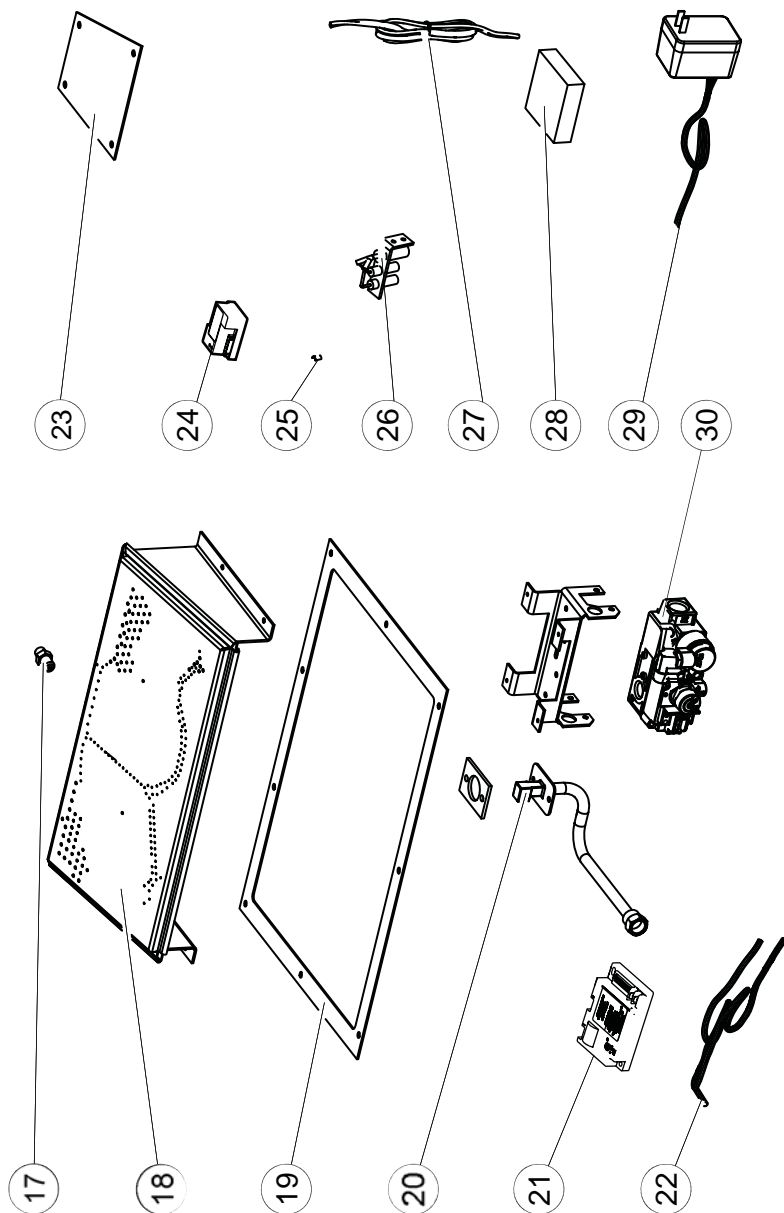
12.1 VUE D'ENSEMBLE DU HD35-1



CES ARTICLES PEUT DIFFÉRER DE CELLE ILLUSTRÉ

RÉF.	PART NO.	DESCRIPTION	EN STOCK	RÉF.	PART NO.	DESCRIPTION	EN STOCK
1	W010-3641	ASSEMBLAGE DE L'ÉCRAN DE PROTECTION		9	W655-0454	RAIDISSEUR BÛCHES (GL-672)	
2	W565-0211-SER	L'ÉCRAN DE PROTECTION	OUI	10	W185-0020	GRILLAGE EN FONTE	
3	W385-2010	LOGO NAPOLEÓN	OUI	11	W135-0408	BANDE DE CHARBON DE BOIS (GL-672)	OUI
4	W010-2123	L'ASSEMBLAGE DE LA PORTE		12	W135-0406	BÛCHE GAUCHE (GL-672)	OUI
5	W667-0018	JOINT D'ÉTANCHÉITÉ (X4)	OUI	13	W135-0339	BÛCHE ARRIÈRE (GL-672)	OUI
6	W562-0060	JOINT D'ÉTANCHÉITÉ DE PORTE	OUI	14	W135-0409	BÛCHE CENTRALE (GL-672)	OUI
7	W335-0051	HOTTE		15	W135-0407	BÛCHE DROITE (GL-672)	OUI
8	W010-3293	LOQUET DE PORTE (X2)		16	W361-0016	BRAISES INCANDESCENTES (GL-672)	OUI

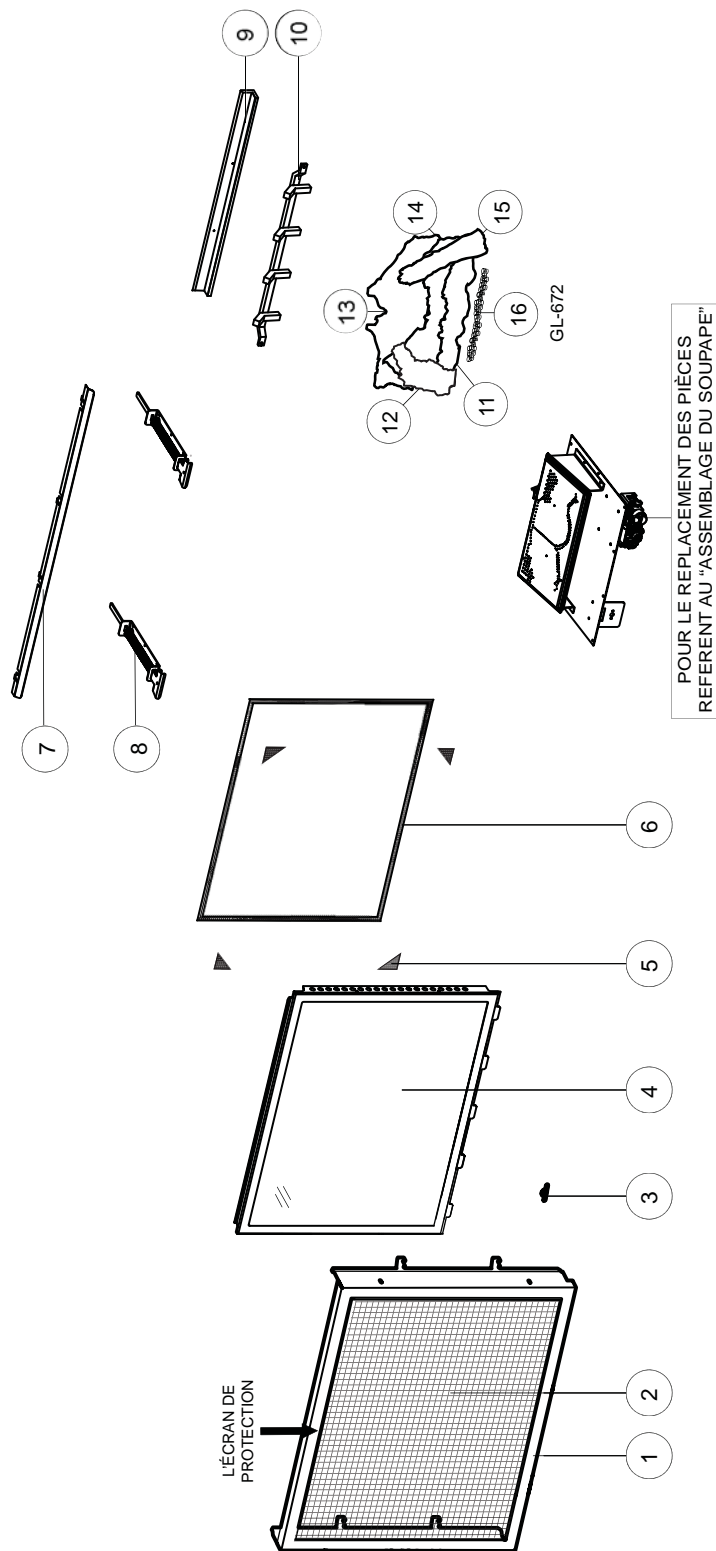
12.2 L'ASSEMBLAGE DU SOUPAPE HD35-1



CES ARTICLES PEUT DIFFÉRER DE CELLE ILLUSTRÉ

RÉF.	PART NO.	DESCRIPTION	EN STOCK	RÉF.	PART NO.	DESCRIPTION	EN STOCK
17	W456-0042	INJECTEUR DE VEILLEUSE #42 (GN)	OUI	25	W455-0049	INJECTEUR DE VEILLEUSE (GN)	OUI
17	W456-0054	INJECTEUR DE VEILLEUSE #54 (LP)	OUI	25	W455-0071	INJECTEUR DE VEILLEUSE (PL)	OUI
18	W010-2312	ASSEMBLAGE DE BRÛLEUR	OUI	26	W100-0069	ASSEMBLAGE DE VEILLEUSE (NG)	OUI
19	W290-0139	JOINT D'ÉTANCHÉITÉ DE SOUPAPE	OUI	26	W100-0093	ASSEMBLAGE DE VEILLEUSE (LP)	
20	W432-0103	CONNECTEUR FLEXIBLE DU COLLECTEUR	OUI	27	W750-0193	HARNAIS DE FILS «ON/OFF»	
21	W190-0022	MODULE DE CONTRÔLE	OUI	28	W350-0342	BOÎTIER DE PILES	OUI
22	W750-0250	HARNAIS DE FILS	OUI	29	W707-0002	TRANSFORMATEUR (3V)	OUI
23	W290-0140	JOINT D'ÉTANCHÉITÉ DU PANNEAU D'ACCÈS	OUI	30	W725-0032	SOUPAPE (GN)	
24	W190-0044	RELAIS DE LA BATTERIE	OUI	30	W725-0049	SOUPAPE (PL)	

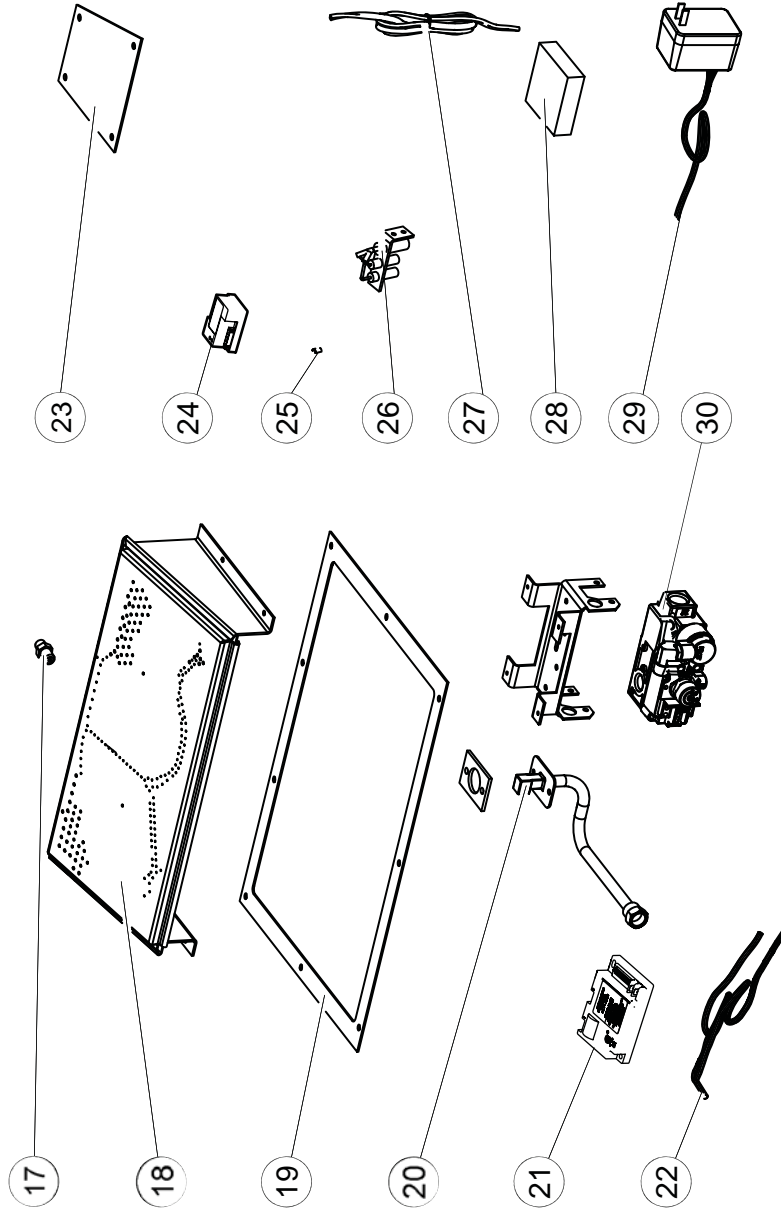
12.3 VUE D'ENSEMBLE DU HD40-1



CES ARTICLES PEUT DIFFÉRER DE CELLE ILLUSTRÉ

RÉF.	PART NO.	DESCRIPTION	EN STOCK	RÉF.	PART NO.	DESCRIPTION	EN STOCK
1	W010-3718	ASSEMBLAGE DE L'ÉCRAN DE PROTECTION		9	W655-0454	RAIDISSEUR BÛCHES (GL-672)	
2	W565-0219-SER	L'ÉCRAN DE PROTECTION	OUI	10	W185-0020	GRILLAGE EN FONTE	
3	W385-2010	LOGO NAPOLEON	OUI	11	W135-0408	BANDE DE CHARBON DE BOIS (GL-672)	OUI
4	W010-1856	L'ASSEMBLAGE DE LA PORTE		12	W135-0406	BÛCHE GAUCHE (GL-672)	OUI
5	W667-0018	JOINT D'ÉTANCHÉITÉ (X4)	OUI	13	W135-0339	BÛCHE ARRIÈRE (GL-672)	OUI
6	W562-0060	JOINT D'ÉTANCHÉITÉ DE PORTE	OUI	14	W135-0409	BÛCHE CENTRALE (GL-672)	OUI
7	W335-0052	HOTTE		15	W135-0407	BÛCHE DROITE (GL-672)	OUI
8	W010-3293	LOQUET DE PORTE (X2)		16	W361-0016	BRAISES INCANDESCENTES (GL-672)	OUI

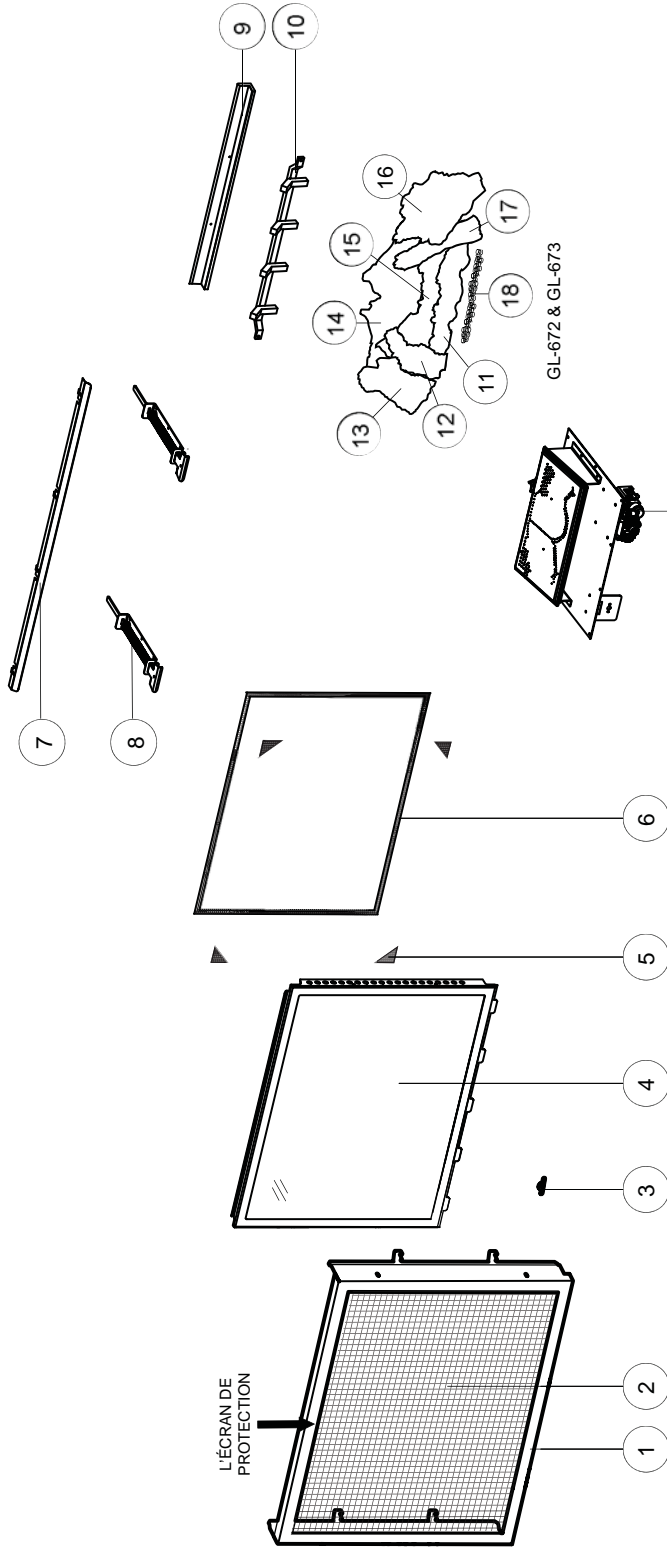
12.4 L'ASSEMBLAGE DU SOUPAPE HD40-1



CES ARTICLES PEUT DIFFÉRER DE CELLE ILLUSTRÉ

RÉF.	PART NO.	DESCRIPTION	EN STOCK	RÉF.	PART NO.	DESCRIPTION	EN STOCK
17	W456-0037	INJECTEUR DE VEILLEUSE #38 (GN)	OUI	25	W455-0049	INJECTEUR DE VEILLEUSE (GN)	OUI
17	W456-0052	INJECTEUR DE VEILLEUSE #53 (LP)	OUI	25	W455-0071	INJECTEUR DE VEILLEUSE (PL)	OUI
18	W010-2312	ASSEMBLAGE DE BRÛLEUR	OUI	26	W100-0069	ASSEMBLAGE DE VEILLEUSE (NG)	OUI
19	W290-0139	JOINT D'ÉTANCHÉITÉ DE SOUPAPE	OUI	26	W100-0093	ASSEMBLAGE DE VEILLEUSE (LP)	
20	W432-0103	CONNECTEUR FLEXIBLE DU COLLECTEUR	OUI	27	W750-0193	HARNAIS DE FILS «ON/OFF»	
21	W190-0022	MODULE DE CONTRÔLE	OUI	28	W350-0342	BOÎTIER DE PILES	OUI
22	W750-0250	HARNAIS DE FILS	OUI	29	W707-0002	TRANSFORMATEUR (3V)	OUI
23	W290-0140	JOINT D'ÉTANCHÉITÉ DU PANNEAU D'ACCÈS	OUI	30	W725-0032	SOUPAPE (GN)	
24	W190-0044	RELAIS DE LA BATTERIE	OUI	30	W725-0049	SOUPAPE (PL)	

12.5 VUE D'ENSEMBLE DU HD46-1

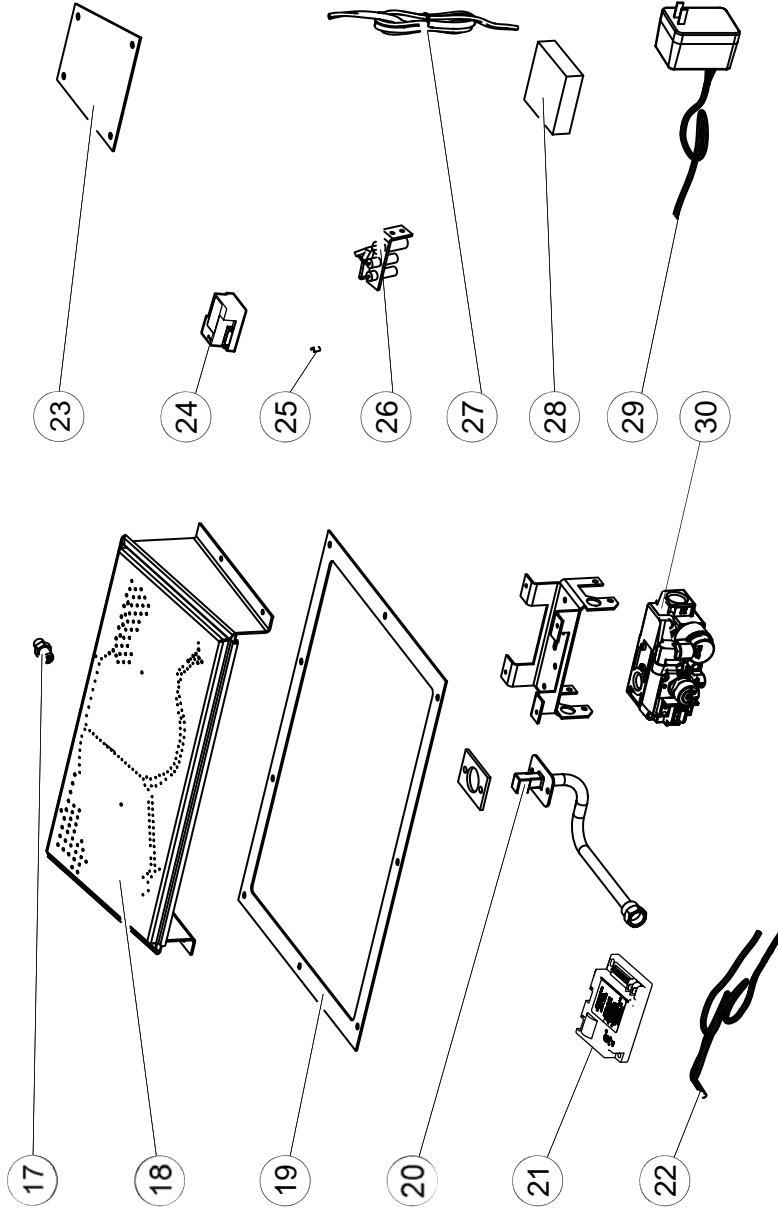


POUR LE REMPLACEMENT DES PIÈCES
REFERENT AU "ASSEMBLAGE DU SOUPAPE"

CES ARTICLES PEUT DIFFÉRER DE CELLE ILLUSTRÉ

RÉF.	PART NO.	DESCRIPTION	EN STOCK	RÉF.	PART NO.	DESCRIPTION	EN STOCK
1	W010-3795	ASSEMBLAGE DE L'ÉCRAN DE PROTECTION		10	W185-0020	GRILLAGE EN FONTE	
2	W565-0223-SER	L'ÉCRAN DE PROTECTION	OUI	11	W135-0408	BANDE DE CHARBON DE BOIS (GL-672)	OUI
3	W385-2010	LOGO NAPOLEON	OUI	12	W135-0406	BÛCHE GAUCHE (GL-672)	OUI
4	W010-1857	L'ASSEMBLAGE DE LA PORTE		13	W135-0392	CÔTÉ GAUCHE EXTERIEUR LOG (GL-673)	OUI
5	W667-0018	JOINT D'ÉTANCHÉITÉ (X4)	OUI	14	W135-0339	BÛCHE ARRIÈRE (GL-672)	OUI
6	W562-0060	JOINT D'ÉTANCHÉITÉ DE PORTE	OUI	15	W135-0409	BÛCHE CENTRALE (GL-672)	OUI
7	W335-0052	HOTTE		16	W135-0393	CÔTÉ DROITE EXTERIEUR LOG (GL-673)	OUI
8	W010-3293	LOQUET DE PORTE (X2)		17	W135-0407	BÛCHE DROITE (GL-672)	OUI
9	W655-0454	RAIDISSEUR BÛCHES (GL-672)		18	W361-0016	BRAISES INCANDESCENTES (GL-672)	OUI

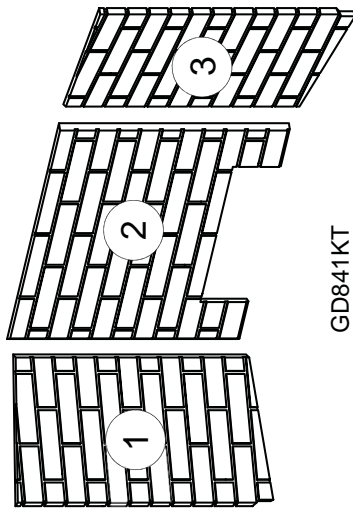
12.6 L'ASSEMBLAGE DU SOUPAPE HD46-1



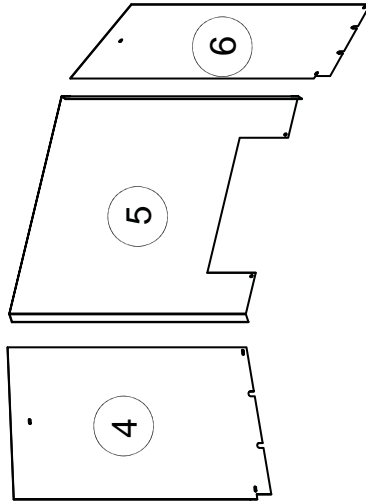
CES ARTICLES PEUT DIFFÉRER DE CELLE ILLUSTRÉ

RÉF.	PART NO.	DESCRIPTION	EN STOCK	RÉF.	PART NO.	DESCRIPTION	EN STOCK
17	W456-0042	INJECTEUR DE VEILLEUSE #42 (GN)	OUI	25	W455-0049	INJECTEUR DE VEILLEUSE (GN)	OUI
17	W456-0054	INJECTEUR DE VEILLEUSE #54 (LP)	OUI	25	W455-0071	INJECTEUR DE VEILLEUSE (PL)	OUI
18	W010-2312	ASSEMBLAGE DE BRÛLEUR	OUI	26	W100-0069	ASSEMBLAGE DE VEILLEUSE (NG)	OUI
19	W290-0139	JOINT D'ÉTANCHÉITÉ DE SOUPAPE	OUI	26	W100-0093	ASSEMBLAGE DE VEILLEUSE (LP)	
20	W432-0103	CONNECTEUR FLEXIBLE DU COLLECTEUR	OUI	27	W750-0193	HARNAIS DE FILS «ON/OFF»	
21	W190-0022	MODULE DE CONTRÔLE	OUI	28	W350-0342	BOÎTIER DE PILES	OUI
22	W750-0250	HARNAIS DE FILS	OUI	29	W707-0002	TRANSFORMATEUR (3V)	OUI
23	W290-0140	JOINT D'ÉTANCHÉITÉ DU PANNEAU D'ACCÈS	OUI	30	W725-0032	SOUPAPE (GN)	
24	W190-0044	RELAIS DE LA BATTERIE	OUI	30	W725-0049	SOUPAPE (PL)	

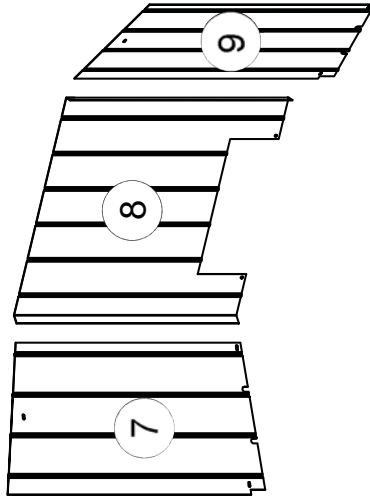
13.0 ACCESSORIES DU HD35-1



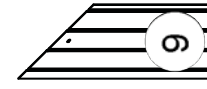
GD841KT



PRPH35



PRPHR35

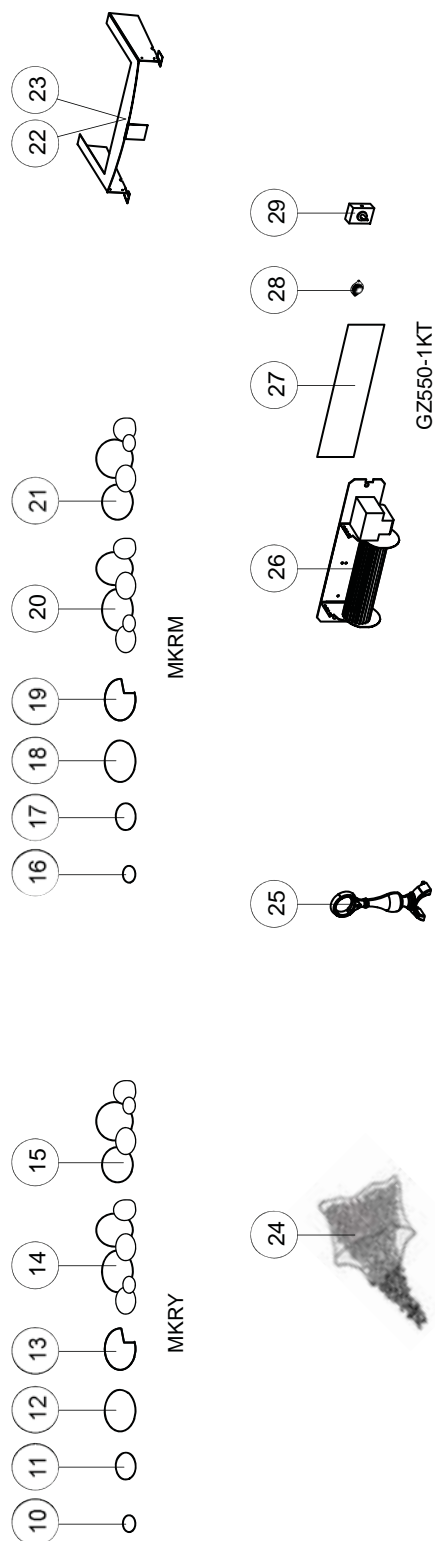


CES ARTICLES PEUT DIFFÉRER DE CELLE ILLUSTRÉ

RÉF.	PART NO.	DESCRIPTION	EN STOCK
1	W475-0703	PANNEAU DE BRIQUE, GAUCHE (GD841KT)	
2	W475-0689	PANNEAU DE BRIQUE, ARRIÈRE (GD841KT)	
3	W475-0692	PANNEAU DE BRIQUE, DROITE (GD841KT)	
4	W090-0161	PANNEAU DE PORCELAINE, GAUCHE (PRPH35)	
5	W090-0160	PANNEAU DE PORCELAINE, ARRIÈRE (PRPH35)	

RÉF.	PART NO.	DESCRIPTION	EN STOCK
6	W090-0162	PANNEAU DE PORCELAINE, DROITE (PRPH35)	
7	W090-0173	PANNEAU DE PORCELAINE, GAUCHE (PRPHR35)	
8	W090-0175	PANNEAU DE PORCELAINE, ARRIÈRE (PRPHR35)	
9	W090-0174	PANNEAU DE PORCELAINE, DROITE (PRPHR35)	

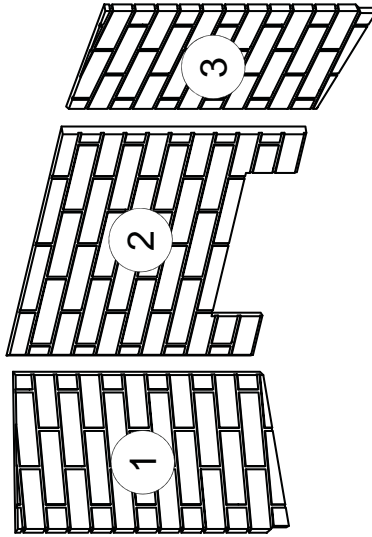
ACCESSOIRES DU HD35-1 (PAGE 2)



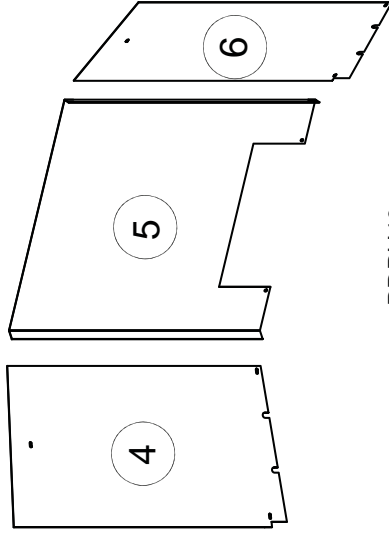
CES ARTICLES PEUT DIFFÉRER DE CELLE ILLUSTRÉ

RÉF.	PART NO.	DESCRIPTION	EN STOCK	RÉF.	PART NO.	DESCRIPTION	EN STOCK
10	W135-0424	ROCHES GRIS PETIT (MKRY/MKRM)		19	W135-0434	ROCHE BRUN DE ENTAILLÉE GRAND (MKRM)	
11	W135-0428	ROCHES GRIS MOYEN (MKRY/MKRM)		19	W135-0435	ROCHE NOIR DE ENTAILLÉE GRAND (MKRM)	
12	W135-0432	ROCHES GRIS GRAND (MKRY/MKRM)		20	W135-0437	ROCHES DIVERSES COULEURS CÔTÉ DROITE(MKRM)	
13	W135-0436	ROCHE GRIS DE ENTAILLÉE GRAND(MKRY/MKRM)		21	W135-0438	ROCHES DIVERSES COULEURS CÔTÉ GAUCHE(MKRM)	
14	W135-0439	ROCHES GRIS DE CÔTÉ DROITE (MKRY)		22	W655-0335	PLATEAU DE ROCHES (RAK35/40)	
15	W135-0440	ROCHES GRIS DE CÔTÉ GAUCHE (MKRY)		23	W655-0365	PLATEAU DE ROCHES (RAK46)	
16	W135-0421	ROCHES TANNÉ PETIT (MKRM)		24	MEGK	BRAISES VITRIFIÉES NOIR (1lb)	
16	W135-0422	ROCHE BRUN PETITE (MKRM)		24	MEGB	BRAISES VITRIFIÉES BLEU (1lb)	
16	W135-0423	ROCHE NOIR PETITE (MKRM)		24	MEGR	BRAISES VITRIFIÉES ROUGE (1lb)	
17	W135-0425	ROCHES TANNÉ MOYEN(MKRM)		24	MEGA	BRAISES VITRIFIÉES JAUNE (1lb)	
17	W135-0426	ROCHES BRUN MOYEN(MKRM)		24	MEGT	EMBRES VERRE TOPAZE (1lb)	
17	W135-0427	ROCHES NOIR MOYEN(MKRM)		25	W715-0629	CHENETS (X2) (ANIH)	
18	W135-0429	ROCHE TANNÉ GRAND (MKRM)		26	GZ552	SOUFFLERIE (GZ550-1KT)	OUI
18	W135-0430	ROCHE BRUN GRAND (MKRM)		27	W361-0037	JOINT D'ÉTANCHÉITÉ DU VENTILATEUR (GZ550-1KT)	OUI
18	W135-0431	ROCHE NOIR GRAND (MKRM)		28	W690-0002	THERMODISQUE (GZ550-1KT)	OUI
19	W135-0433	ROCHE TANNÉ DE ENTAILLÉE GRAND (MKRM)		29	KB35	INTERRUPTEUR À VITESSE VARIABLE(GZ550-1KT)	OUI

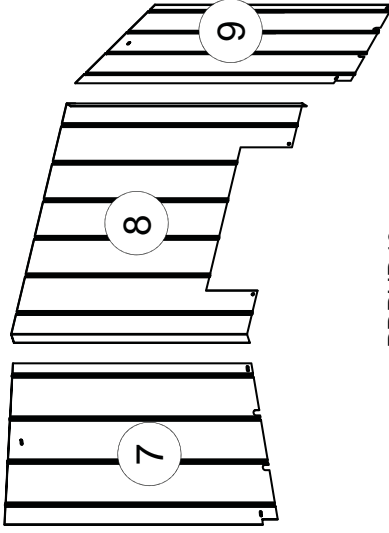
14.0 ACCESSORIES DU HD40-1



GD842-1KT



PRPH40



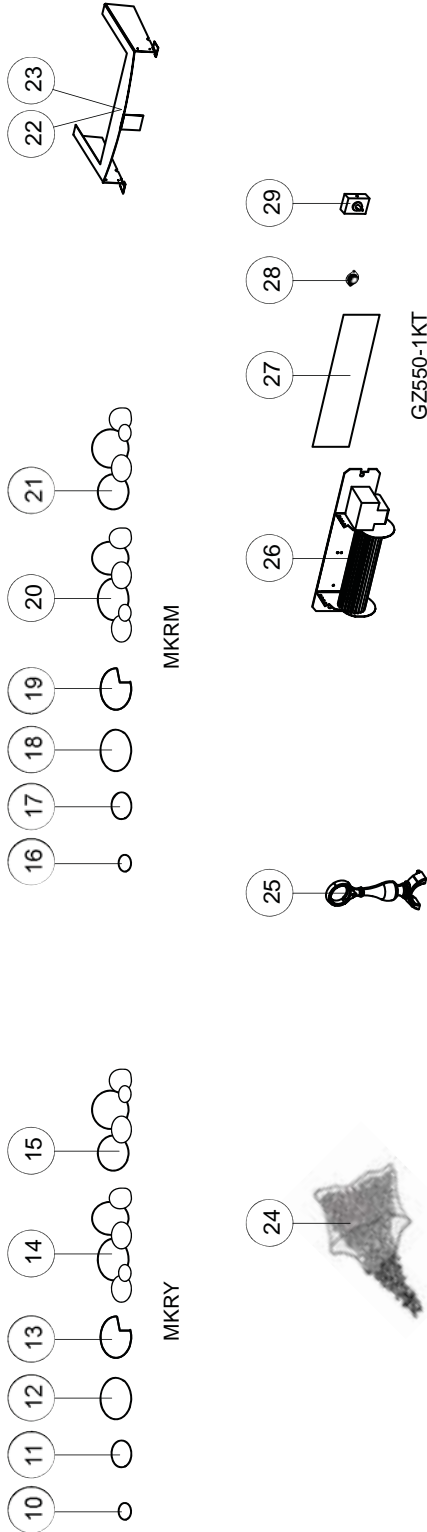
PRPHR40

ITEMS MAY NOT APPEAR EXACTLY AS ILLUSTRATED

REF NO.	PART NUMBER	DESCRIPTION	STOCKED
1	W475-0703	LEFT SIDE BRICK PANEL (GD842-1KT)	
2	W475-0690	REAR BRICK PANEL (GD842-1KT)	
3	W475-0692	RIGHT SIDE BRICK PANEL (GD842-1KT)	
4	W090-0161	LEFT SIDE PORCELAIN PANEL (PRPH40)	
5	W090-0164	REAR PORCELAIN PANEL (PRPH40)	

REF NO.	PART NUMBER	DESCRIPTION	STOCKED
6	W090-0162	RIGHT SIDE PORCELAIN PANEL (PRPH40)	
7	W090-0173	LEFT SIDE PORCELAIN PANEL (PRPHR40)	
8	W090-0176	REAR PORCELAIN PANEL (PRPHR40)	
9	W090-0174	RIGHT SIDE PORCELAIN PANEL (PRPHR40)	

ACCESSORIES DU HD40-1 (PAGE 2)

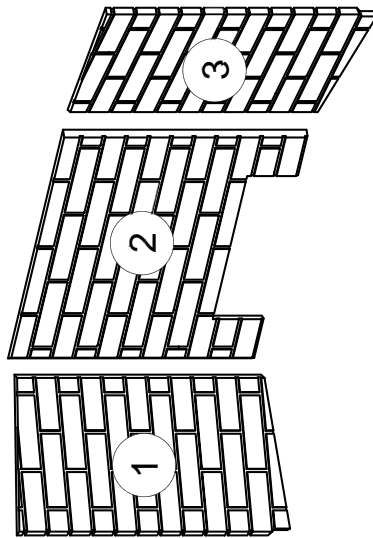


ITEMS MAY NOT APPEAR EXACTLY AS ILLUSTRATED

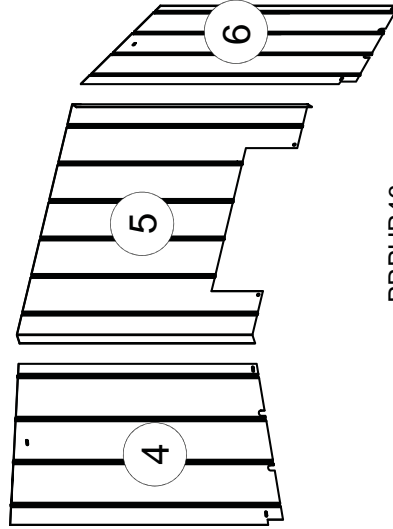
REF. NO.	PART NUMBER	DESCRIPTION	STOCKED
10	W135-0424	SMALL GREY ROCK (MKRY/MKRM)	
11	W135-0428	MEDIUM GREY ROCK (MKRY/MKRM)	
12	W135-0432	LARGE GREY ROCK (MKRY/MKRM)	
13	W135-0436	LARGE CUT OUT GREY ROCK (MKRY/MKRM)	
14	W135-0439	RIGHT SIDE GREY ROCK CLUSTER (MKRY)	
15	W135-0440	LEFT SIDE GREY ROCK CLUSTER (MKRY)	
16	W135-0421	SMALL TAN ROCK (MKRM)	
16	W135-0422	SMALL BROWN ROCK (MKRM)	
16	W135-0423	SMALL BLACK ROCK (MKRM)	
17	W135-0425	MEDIUM TAN ROCK (MKRM)	
17	W135-0426	MEDIUM BROWN ROCK (MKRM)	
17	W135-0427	MEDIUM BLACK ROCK (MKRM)	
18	W135-0429	LARGE TAN ROCK (MKRM)	
18	W135-0430	LARGE BROWN ROCK (MKRM)	
18	W135-0431	LARGE BLACK ROCK (MKRM)	
19	W135-0433	LARGE CUT OUT TAN ROCK (MKRM)	

REF. NO.	PART NUMBER	DESCRIPTION	STOCKED
19	W135-0434	LARGE CUT OUT BROWN ROCK (MKRM)	
19	W135-0435	LARGE CUT OUT BLACK ROCK (MKRM)	
20	W135-0437	RS MULTI-COLOR ROCK CLUSTER (MKRM)	
21	W135-0438	LS MULTI-COLOR ROCK CLUSTER (MKRM)	
22	W655-0335	ROCK MEDIA TRAY (RAK35/40)	
23	W655-0365	ROCK MEDIA TRAY (RAK46)	
24	MEGK	BLACK GLASS EMBERS (1lb)	
24	MEGB	BLUE GLASS EMBERS (1lb)	
24	MEGR	RED GLASS EMBERS (1lb)	
24	MEGA	AMBER GLASS EMBERS (1lb)	
24	MEGT	TOPAZ GLASS EMBERS (1lb)	
25	W715-0629	ANDIRON (X2) (ANIH)	
26	GZ552	BLOWER (GZ550-1KT)	YES
27	W361-0037	BLOWER GASKET (GZ550-1KT)	YES
28	W690-0002	THERMODISC (GZ550-1KT)	YES
29	KB35	VARIABLE SPEED SWITCH (GZ550-1KT)	YES

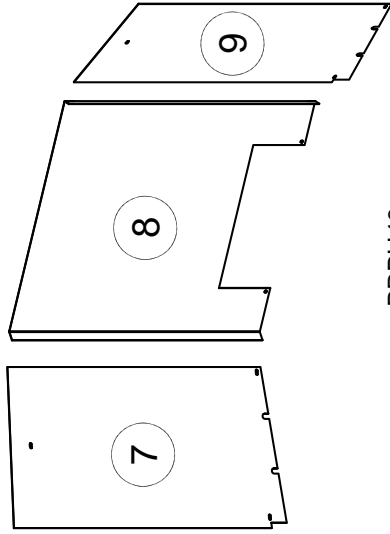
15.0 ACCESSORIES DU HD46-1



GD843KT



PRPHR46



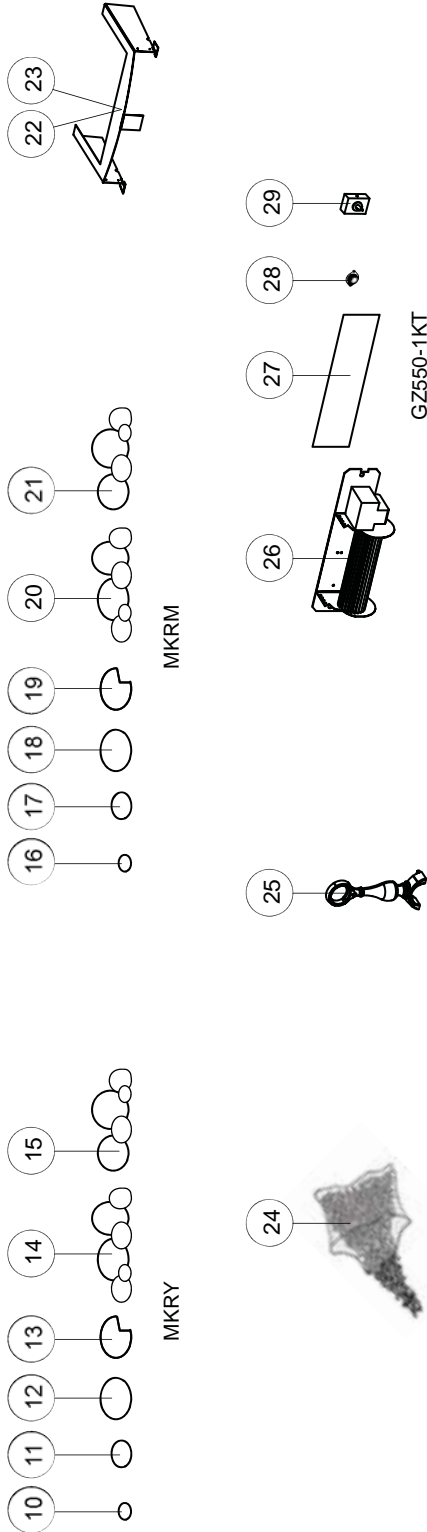
PRPH46

ITEMS MAY NOT APPEAR EXACTLY AS ILLUSTRATED

REF NO.	PART NUMBER	DESCRIPTION	STOCKED
1	W475-0703	LEFT SIDE BRICK PANEL (GD843KT)	
2	W475-0691	REAR BRICK PANEL (GD843KT)	
3	W475-0692	RIGHT SIDE BRICK PANEL (GD843KT)	
4	W090-0161	LEFT SIDE PORCELAIN PANEL (PRPH46)	
5	W090-0165	REAR PORCELAIN PANEL (PRPH46)	

REF NO.	PART NUMBER	DESCRIPTION	STOCKED
6	W090-0162	RIGHT SIDE PORCELAIN PANEL (PRPH46)	
7	W090-0173	LEFT SIDE PORCELAIN PANEL (PRPHR46)	
8	W090-0177	REAR PORCELAIN PANEL (PRPHR46)	
9	W090-0174	RIGHT SIDE PORCELAIN PANEL (PRPHR46)	

ACCESSOIRES DU HD46-1 (PAGE 2)



ITEMS MAY NOT APPEAR EXACTLY AS ILLUSTRATED

REF. NO.	PART NUMBER	DESCRIPTION	STOCKED
10	W135-0424	SMALL GREY ROCK (MKRY/MKRM)	
11	W135-0428	MEDIUM GREY ROCK (MKRY/MKRM)	
12	W135-0432	LARGE GREY ROCK (MKRY/MKRM)	
13	W135-0436	LARGE CUT OUT GREY ROCK (MKRY/MKRM)	
14	W135-0439	RIGHT SIDE GREY ROCK CLUSTER (MKRY)	
15	W135-0440	LEFT SIDE GREY ROCK CLUSTER (MKRY)	
16	W135-0421	SMALL TAN ROCK (MKRM)	
16	W135-0422	SMALL BROWN ROCK (MKRM)	
16	W135-0423	SMALL BLACK ROCK (MKRM)	
17	W135-0425	MEDIUM TAN ROCK (MKRM)	
17	W135-0426	MEDIUM BROWN ROCK (MKRM)	
17	W135-0427	MEDIUM BLACK ROCK (MKRM)	
18	W135-0429	LARGE TAN ROCK (MKRM)	
18	W135-0430	LARGE BROWN ROCK (MKRM)	
18	W135-0431	LARGE BLACK ROCK (MKRM)	
19	W135-0433	LARGE CUT OUT TAN ROCK (MKRM)	

REF. NO.	PART NUMBER	DESCRIPTION	STOCKED
19	W135-0434	LARGE CUT OUT BROWN ROCK (MKRM)	
19	W135-0435	LARGE CUT OUT BLACK ROCK (MKRM)	
20	W135-0437	RS MULTI-COLOR ROCK CLUSTER (MKRM)	
21	W135-0438	LS MULTI-COLOR ROCK CLUSTER (MKRM)	
22	W655-0335	ROCK MEDIA TRAY (RAK35/40)	
23	W655-0365	ROCK MEDIA TRAY (RAK46)	
24	MEGK	BLACK GLASS EMBERS (1lb)	
24	MEGB	BLUE GLASS EMBERS (1lb)	
24	MEGR	RED GLASS EMBERS (1lb)	
24	MEGA	AMBER GLASS EMBERS (1lb)	
24	MEGT	TOPAZ GLASS EMBERS (1lb)	
25	W715-0629	ANDIRON (X2) (ANIH)	
26	GZ552	BLOWER (GZ550-1KT)	YES
27	W361-0037	BLOWER GASKET (GZ550-1KT)	YES
28	W690-0002	THERMODISC (GZ550-1KT)	YES
29	KB35	VARIABLE SPEED SWITCH (GZ550-1KT)	YES

16.0 GUIDE DE DÉPANNAGE

FR

! AVERTISSEMENT

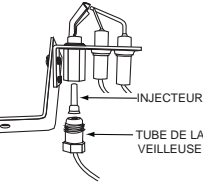
ALLUMEZ TOUJOURS LA VEILLEUSE, QUE CE SOIT POUR LA PREMIÈRE FOIS OU LORSQUE L'APPROVISIONNEMENT EN GAZ EST ÉPUISÉ, AVEC LA PORTE VITRÉE OUVERTE OU RETIRÉE.

COUPEZ L'ALIMENTATION EN GAZ ET L'ALIMENTATION ÉLECTRIQUE AVANT DE PROCÉDER À L'ENTRETIEN DE L'APPAREIL.

L'APPAREIL PEUT ÊTRE CHAUD. N'EFFECTUEZ AUCUN ENTRETIEN JUSQU'À CE QUE L'APPAREIL SOIT REFROIDI.

N'UTILISEZ PAS DE NETTOYANTS ABRASIFS.

SYMPTÔME PROBLÈME SOLUTIONS

La veilleuse ne s'allume pas.	Filage.	- Vérifiez si le fil « S » pour la sonde et le fil « I » pour l'allumeur sont raccordés aux bornes sur le module d'allumage et l'assemblage de la veilleuse.
	Connexion desserrée.	- Vérifiez qu'il n'y ait pas de connexions desserrées, de courts-circuits dans le filage ou des contacts avec des objets métalliques.
Il y a du bruit, mais aucune étincelle au brûleur de la veilleuse.	Module d'allumage.	- Mettez l'interrupteur MARCHE/ARRÊT à « OFF ». Retirez le fil d'allumage « I » du module. Mettez l'interrupteur MARCHE/ ARRÊT à « ON ». Tenez un fil mis à la terre à environ 3/16" (4.8mm) de la borne « I » sur le module. S'il n'y pas d'étincelle, la borne « I » du module doit être remplacée. S'il y a une étincelle, le module fonctionne bien. Inspectez l'assemblage de la veilleuse pour un fil causant un court-circuit ou un isolateur craqué autour de l'électrode.
	La longueur de l'étincelle est incorrecte.	- La longueur de l'étincelle de l'allumeur à la veilleuse devrait être de 0,125" (3.2mm).
	Transformateur.	- Vérifiez si le transformateur est installé et branché dans la boîte à relais. Vérifiez le voltage du transformateur sous tension aux connexions sur la boîte à relais avec l'interrupteur MARCHE/ARRÊT à « ON ». Les lectures acceptables d'un bon transformateur se situent entre 2,8 et 3,4 volts C.A.
	Une connexion desserrée ou causant un court-circuit.	- Retirez et réinstallez le harnais de fils qui se branche dans le module. Retirez et vérifiez la continuité de chaque fil dans le harnais de fils.
	Pile de secours.	- Vérifiez les piles.
	Filage d'interrupteur inapproprié.	- Réparez le système avec un simple interrupteur MARCHE/ARRÊT.
Étincelle à la veilleuse, mais celle-ci ne s'allume pas.	Alimentation en gaz.	- Vérifiez si la soupape à bille de la conduite d'arrivée du gaz est « Ouverte ». Vérifiez si la pression d'arrivée est dans les limites acceptables. La pression d'arrivée ne doit pas excéder 7" de colonne d'eau (17.4mb) pour le GN et 13" de colonne d'eau (32.4mb) pour le PL.
	Plus de propane.	- Remplissez le réservoir.
Du carbone se dépose sur la vitre, les bûches, les roches, les composants décoratifs ou les parois de la chambre de combustion.	Le volet d'air est bloqué.	- Assurez-vous que l'ouverture du volet d'air n'est pas bloquée par des fibres ou autres obstructions. - Assurez-vous que le volet d'air est bien réglé.
	La flamme effleure la vitre, les bûches, les roches, les composants décoratifs ou les parois de la chambre de combustion.	- Vérifiez si la vitre, les bûches, les roches ou les composants décoratifs sont positionnés correctement. - Augmentez l'ouverture du volet d'air pour augmenter le volume d'air primaire. - Vérifiez le débit d'alimentation : vérifiez que la pression du collecteur et la grandeur de l'injecteur soient telles que spécifiées sur la plaque d'homologation. - Vérifiez si les joints de la porte ne sont pas brisés ou manquants et qu'ils sont étanches. - Vérifiez si les deux conduits d'évent ne sont pas troués et qu'ils sont bien scellés à tous les joints. - Vérifiez si l'élévation minimale par pied est conforme pour toute évacuation horizontale.

SYMPTÔME	PROBLÈME	SOLUTIONS
Continue de produire des étincelles et la veilleuse s'allume, mais le brûleur principal ne s'allume pas.	Court-circuit ou connexion desserrée dans la tige de la sonde.	- Vérifiez toutes les connexions. Vérifiez si les connexions de l'assemblage de la veilleuse sont serrées; vérifiez aussi si ces connexions ne causent pas de mise à la terre au niveau du métal. - Vérifiez si les fils TH sont branchés à la soupape.
	THTP	- Vérifiez si les fils THTP sont branchés à la soupape.
	Mauvais redressement du courant de la flamme ou tige de sonde contaminée.	- Vérifiez si la flamme enveloppe la tige de la sonde. Ceci augmentera le redressement du courant de la flamme. Vérifiez si le bon injecteur de veilleuse est installé et que l'alimentation en gaz est conforme aux spécifications du manuel. (Souvenez-vous que la flamme transporte le courant redresseur et non le gaz. Si la flamme se détache de la hotte, le circuit est rompu. Un mauvais injecteur ou une pression d'arrivée trop élevée peut causer la flamme de la veilleuse à se détacher.) La tige de la sonde a possiblement besoin d'être nettoyée.
La veilleuse s'allume. Arrête de produire des étincelles/la veilleuse reste allumée, mais le brûleur ne s'allume pas	La veilleuse a été peint	- Utilisant une pièce de papier de verre ou du tissu d'émeri pour enlever le peinture du capuchon du veilleuse, l'allumeur et le sonde de flamme.
	Filage/connexion.	- Inspectez tous les fils, assurez-vous que les connexions sont bien serrées. Vérifiez si tout le filage est installé exactement tel que spécifié.
	Harnais de fils.	- Inspectez le harnais de fils et vérifiez qu'il soit solidement branché au module. Vérifiez si tous les fils sont branchés et qu'ils sont dans le bon ordre.
	Module ou soupape.	- Effectuez le test suivant pour vérifier si le problème provient du module ou de la soupape. Pour mesurer la tension, tournez le multimètre à « CC », placez le fil rouge du multimètre sur la vis du bloc de branchement associé au fil que vous voulez vérifier, créez un contact entre le fil noir et la mise à la terre (corps de la soupape). Note importante, une lecture de « zéro » volt ne signifie pas automatiquement que le module n'est pas bon, il se peut qu'il y ait trop peu de résistance dans le solénoïde de la soupape. Vérifiez si le fil vert est débranché de la soupape. La tension provenant du module devrait être entre 1,5 et 3 volts.
On détecte l'odeur des gaz de combustion dans la pièce; maux de tête.	La veilleuse a été peint	- Utilisant une pièce de papier de verre ou du tissu d'émeri pour enlever le peinture du capuchon du veilleuse, l'allumeur et le sonde de flamme.
	L'appareil refoule les gaz de combustion dans la pièce.	- Vérifiez tous les joints scellés.
Les flammes sont très actives.	La porte est entrouverte.	- Assurez-vous que la porte est bien fermée.
	Forte action de ventilation.	- Assurez-vous que l'évacuation est adéquatement scellée ou étranglez la sortie de l'évacuation avec la plaque de restriction. La plaque de restriction n'est pas disponible pour certains modèles.

La flamme du brûleur principal est bleue, paresseuse et transparente	Système d'évacuation bloqué.	- Enlever l'obstruction. Dans les conditions vraiment froides, l'accumulation de glace peut arriver sur terminaison et devrait être enlevée lorsque nécessaire. Pour minimiser ceci d'arriver encore, il est recommandé que les longueurs de conduit qui passent par les espaces non chauffés (les greniers, les garages, rampent des espaces) est emballé avec une manche de mylar isolée. Empêcher la manche de fléchir. Contacter votre détaillant autorisé local pour plus d'information.
Une pellicule blanche ou grise se forme.	Le soufre du combustible se dépose sur la vitre, les bûches ou les parois de la chambre de combustion.	- Nettoyez la vitre avec un nettoyeur recommandé. NE PAS NETTOYER LORSQU'ELLE EST CHAUDE. Si vous ne nettoyez pas les dépôts régulièrement, la vitre risque de rester marquée en permanence.

17.0 GARANTIE

Les produits NAPOLÉON sont fabriqués conformément aux normes strictes du Certificat d'Assurance de la Qualité mondialement reconnu ISO 9001 : 2008.

Les produits NAPOLÉON sont conçus avec des composants et des matériaux de qualité supérieure, assemblés par des artisans qualifiés qui sont fiers de leur travail. Le brûleur et le montage de la soupape subissent un test de détection de fuite et d'allumage à une station de test de qualité. Une fois assemblé, chaque appareil est soigneusement inspecté par un technicien qualifié avant d'être emballé pour garantir que vous, le client, recevez le produit de qualité dont vous vous attendez de NAPOLÉON.

GARANTIE À VIE LIMITÉE DU PRÉSIDENT DES APPAREILS AU GAZ NAPOLÉON

Les matériaux suivants et la fabrication de votre nouveau appareil au gaz NAPOLÉON sont garantis contre les défauts tant que vous en êtes le propriétaire. Ceci couvre : la chambre de combustion, l'échangeur de chaleur, le brûleur en acier inoxydable, les bûches phazer™ et les braises, les roches, la vitre en céramique (cassure thermique seulement), les pièces plaquées or contre le ternissement, les composants en porcelaine émaillée et les moulures d'extrusion en aluminium.*

Les composants électriques (110V et millivolt) et les pièces soumises à l'usure sont couverts et NAPOLÉON fournira gratuitement les pièces de rechange durant la première année de la garantie limitée. Tels que les souffleries, les soupapes de gaz, l'interrupteur thermique, les interrupteurs, l'installation électrique, les télécommandes, l'allumeur, les joints d'étanchéité et l'assemblage de la veilleuse.*

Les coûts de main-d'œuvre relatifs aux réparations garanties sont couverts gratuitement durant la première année. Cependant, les travaux de réparation nécessitent l'approbation préalable d'un représentant autorisé de la compagnie. Les coûts de main-d'œuvre à la charge de Napoléon® sont basés sur un programme de tarifs prédéterminé et tout travail de réparation doit être accompli par l'entremise d'un représentant autorisé NAPOLÉON.

* La fabrication de chaque modèle varie. La garantie s'applique uniquement aux composants disponibles avec votre appareil.

CONDITIONS ET LIMITATIONS

NAPOLÉON garantit ses produits contre les défauts de fabrication à l'acheteur d'origine seulement. L'enregistrement de la garantie n'est pas nécessaire. Fournissez simplement une preuve d'achat ainsi que le modèle et le numéro de série afin d'effectuer une réclamation de garantie. NAPOLÉON se réserve le droit de demander à son représentant d'inspecter tous produits ou pièces avant d'honorer toute réclamation. L'achat doit avoir été fait par l'entremise d'un détaillant NAPOLÉON autorisé et sous réserve des conditions et limitations suivantes :

La couverture de la garantie débute à partir de la date d'installation originale.

Cette garantie du fabricant n'est pas transférable et ne peut être prolongée ou étendue par aucun de nos représentants quelle qu'en soit la raison.

L'appareil au gaz doit être installé par un installateur ou entrepreneur qualifié. L'installation doit être faite conformément aux instructions d'installation incluses avec le produit et à tous les codes d'incendie et de construction locaux et nationaux.

Cette garantie limitée ne couvre pas les dommages causés par un mauvais usage, un manque d'entretien, un accident, des altérations, des abus ou de la négligence et l'installation de pièces d'autres fabricants annulera cette garantie.

Cette garantie limitée ne couvre pas non plus les égratignures, les bossellements, la corrosion ou la décoloration causés par une chaleur excessive, des produits d'entretien chimiques et abrasifs ou l'écaillage des pièces en porcelaine émaillée, le bris par manipulation des bûches PHAZER™ et des braises.

NAPOLÉON garantit à vie ses brûleurs en acier inoxydable contre les défauts de fabrication et de matériau sous réserve des conditions suivantes : durant les dix premières années, NAPOLÉON remplacera ou réparera selon notre option les pièces défectueuses gratuitement. Après les dix premières années, NAPOLÉON fournira les brûleurs de rechange à 50 % du prix de détail courant.

Au cours de la première année seulement, cette garantie s'applique à la réparation ou au remplacement des pièces garanties dont les matériaux ou la fabrication sont défectueux à la condition que le produit ait été utilisé conformément aux instructions de fonctionnement et dans des conditions normales.

Après la première année, concernant cette Garantie à Vie Limitée du Président, NAPOLÉON peut, à sa discrétion, se libérer entièrement de toutes obligations en ce qui concerne cette garantie en remboursant à l'acheteur d'origine le prix de gros de toute pièce garantie qui est défectueuse.

NAPOLÉON ne sera pas responsable de l'installation, de la main-d'œuvre ou autres dépenses relatives à la réinstallation d'une pièce garantie et de telles dépenses ne sont pas couvertes par cette garantie.

Nonobstant toutes les dispositions contenues dans cette Garantie à Vie Limitée du Président, la responsabilité de NAPOLÉON sous cette garantie est définie comme ci-dessus et elle ne s'appliquera à aucun dommage accidentel, consécutif ou indirect.

Cette garantie définit l'obligation et la responsabilité de NAPOLÉON en ce qui concerne l'appareil au gaz Napoléon®. Toute autre garantie énoncée ou implicite en ce qui concerne ce produit, ses composants ou accessoires est exclue.

NAPOLÉON n'endosse ni n'autorise aucun tiers à assumer en son nom, toute autre responsabilité concernant la vente de ce produit. NAPOLÉON ne sera pas responsable d'une surchauffe, des refoulements, des déversements causés par des conditions environnementales telles que des toits, des bâtiments, la proximité d'arbres, de collines, de montagnes, une ventilation ou des événements inadéquats, une configuration d'évacuation excessive, un apport d'air insuffisant ou des pressions négatives qui peuvent ou non être causés par des systèmes mécaniques tels que les ventilateurs d'évacuation, les fournaies, les sècheuses de linge, etc.

Tout dommage causé à l'appareil, à la chambre de combustion, à l'échangeur de chaleur, aux garnitures plaquées ou autres composants par l'eau, les dommages causés par les intempéries, de longues périodes d'humidité, la condensation, des produits chimiques ou produits d'entretien nuisibles ne seront pas la responsabilité de NAPOLÉON.

Toutes les pièces remplacées en vertu de la politique de Garantie à vie limitée du Président ne peuvent faire l'objet que d'une seule réclamation.

Durant les dix premières années, NAPOLÉON remplacera ou réparera les pièces défectueuses qui sont couvertes par la garantie à vie limitée à sa discrétion gratuitement. Après les dix premières années, NAPOLÉON fournira les pièces de rechange à 50 % du prix de détail courant.

Toutes les pièces remplacées au titre de la garantie seront couvertes pour une période de 90 jours à partir de leur date d'installation.

Le fabricant peut exiger que les pièces défectueuses ou les produits soient retournés ou que des photos numériques soient fournies pour valider la réclamation. Les produits retournés doivent être expédiés port payé au fabricant pour une inspection en usine. Si un produit est déclaré défectueux, le fabricant le réparera ou le remplacera.

Avant d'expédier votre appareil ou les pièces défectueuses, votre détaillant doit obtenir un numéro d'autorisation. Toute marchandise expédiée à notre usine sans autorisation sera refusée et retournée à l'expéditeur.

Les coûts d'expédition ne sont pas couverts par cette garantie.

Des frais de service supplémentaires peuvent être appliqués si vous cherchez à obtenir des services au titre de la garantie auprès d'un détaillant. Les indemnités de main-d'œuvre au titre de la garantie s'appliquent uniquement pour le remplacement d'une pièce garantie. Les frais de déplacement, de tests de diagnostic, d'expédition et autres frais afférents ne sont pas couverts par cette garantie.

TOUTES LES SPÉCIFICATIONS ET LES CONCEPTIONS SONT SUJETTES À MODIFICATIONS SANS PRÉAVIS EN RAISON DES AMÉLIORATIONS CONSTANTES APPORTÉES AUX PRODUITS. NAPOLÉON EST UNE MARQUE DE COMMERCE DÉPOSÉE DE WOLF STEEL LTÉE.

Autres produits Napoléon®



Foyers encastrés • Grils au charbon de bois • Foyers au gaz • Cascades d'eau
Poêles à bois • Produits HVAC • Foyers électriques • Foyers extérieurs • Grils à gaz de qualité



7200, Route Transcanadienne, Montréal, Québec H4T 1A3
24 Napoleon Road, Barrie, Ontario, Canada L4M 0G8
214 Bayview Drive, Barrie, Ontario, Canada L4N 4Y8
103 Miller Drive, Crittenden, Kentucky, USA 41030

Foyers / Chauffage et Climatisation / Grils composez : 514-737-6294
napoleonproducts.com