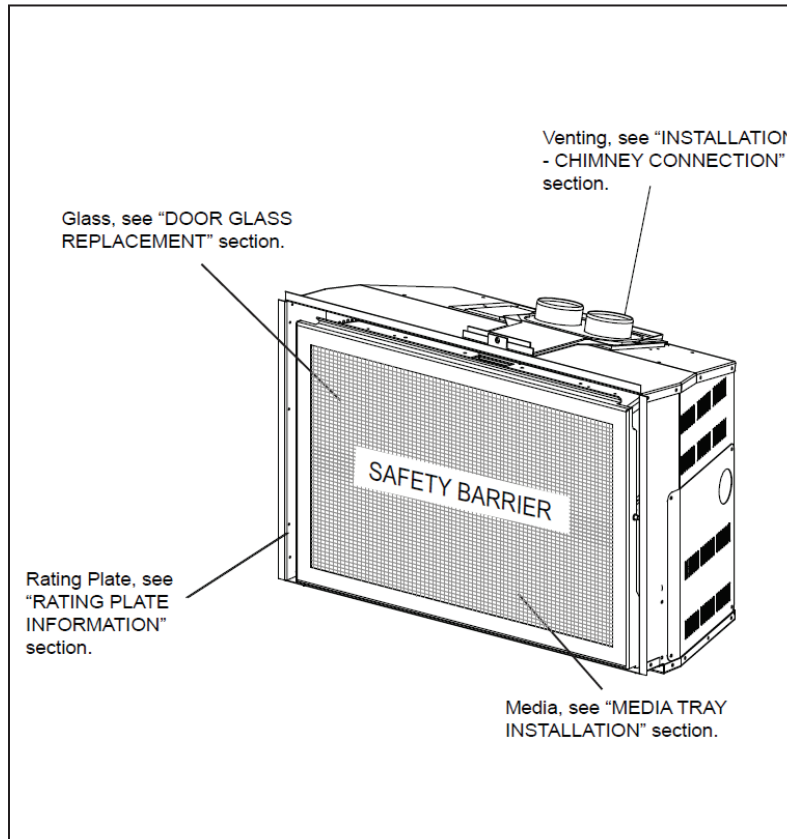


# INFRARED™ 3G GAS INSERT

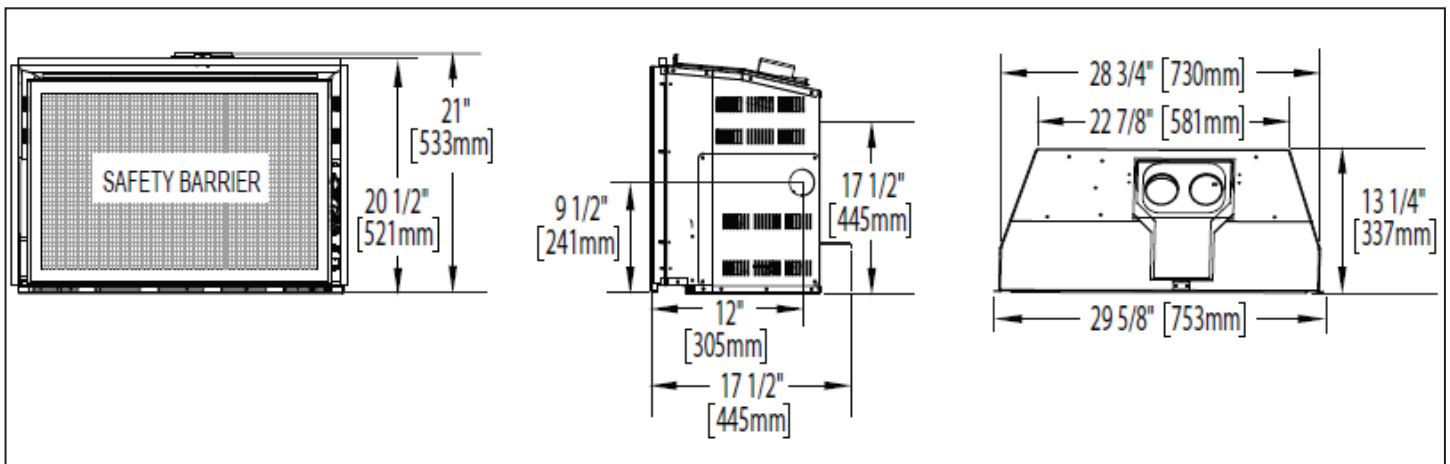
## Specifications

Model	BTU	Width		Height		Depth		Glass
		Minimum	Actual	Minimum	Actual	Minimum	Actual	
IR3G	24,000	29	29 5/8	21 1/2	21	13 1/2	17 1/2	17 X 25 9/16

## Overview



## Dimensions



# INFRARED™ 3G GAS INSERT

## Framing & Clearances

### Minimum Fireplace Clearances

This appliance must be recessed into a vented noncombustible wood-burning appliance (prefabricated or masonry) only. The minimum appliance opening size in which the appliance is to be installed is:

**HEIGHT 21½" (546mm) WIDTH 29" (737mm) DEPTH 13½" (343mm)**  
**The minimum allowable chimney flue size is 7" (178mm) round.**

**\*Add 4" (102mm) for optional blower.**

The minimum distance, from the bottom of a combustible mantle projecting 3" (76mm) maximum from the wall to the top of the appliance, is 14" (356mm) (see Minimum Mantel Clearances section).

### General Information

IR3G	IR3G	
	NG	LP
Altitude (FT)	0-4,500	0-4,500
Max. Input (BTU/HR)	24,000	24,000
Max. Output (BTU/HR)	19,200	19,200
Efficiency (w/the fan on)	80%	80%
A.F.U.E. (maximum value)	77%	77%
Min. Inlet Gas Supply Pressure	4.5" (11mb) Water Column	11" (27mb) Water Column
Max. Inlet Gas Supply Pressure	7" (17mb) Water Column	13" (32mb) Water Column
Manifold Pressure (Under Flow Conditions)	3.5" (9mb) Water Column	10" (25mb) Water Column

### Safety Screen & Door Installation

The optional front must be removed to allow the door to be opened or closed. Release the top left and right door latches, located at the top of the door. Tilt forward and lift from slots.

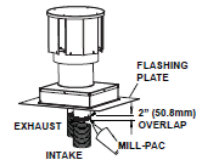
Reverse these steps to re-install the safety screen and door. Ensure safety screen is installed correctly.

Product information provided is not complete and is subject to change without notice. Please consult the installation manual for the most up to date installation information.

### Chimney Connection

**2-3" (51-76mm) DOUBLE PLY ALUMINUM LINER-INLET AND EXHAUST:**  
 GDI-320KT VENT KIT 20FT  
 GDI-325KT VENT KIT 25 FT  
 GDI-335KT VENT KIT 35 FT

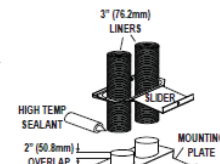
While the liners must be continuous from the appliance to the chimney cap, to achieve the needed length, they may be coupled, using an approved coupler. We recommend that exhaust vents that pass through unheated spaces, such as tall exterior chimneys, be wrapped in a protective sleeve to minimize condensation and reverse flow symptoms. See Trouble Shooting for details. This appliance is approved for use with a 3" (76mm) exhaust and air intake.



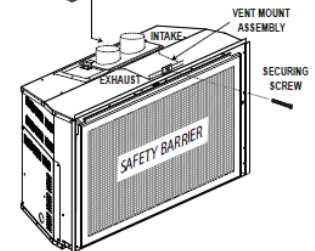
A. **OUTSIDE:** Slip the one end of a liner a minimum of 2" (51mm) over the sleeve of the air terminal. Secure using 3 screws. Then seal the joint and screw heads with high temperature sealant. Repeat with the other liner.

**NOTE:** We recommend that the other end of the exhaust liner be marked to eliminate the exhaust liner being connected to the intake collar at the appliance.

B. Gently stretch the liners to the required lengths and insert into the chimney. Trim and fit the flashing plate to suit the chimney termination. Place the air terminal onto the top of the chimney. Make weather tight by sealing with caulking (not supplied). Fasten to the chimney with screws and plugs (not supplied).



C. **INSIDE:** Remove the securing screw from the front of the vent mounting assembly. Slide the vent mount assembly from the track. Route the flex liners through the slider. Attach and secure the liners to the vent mounting plate, ensuring that the marked exhaust liner is attached to the exhaust collar.



D. The appliance may now be pushed into the opening and the mounting plate assembly slid back into the track, and the securing screw started. Once the appliance is in its final position tighten the securing screw until the slider makes contact with the front stop.

### Combustible Mantel Clearances