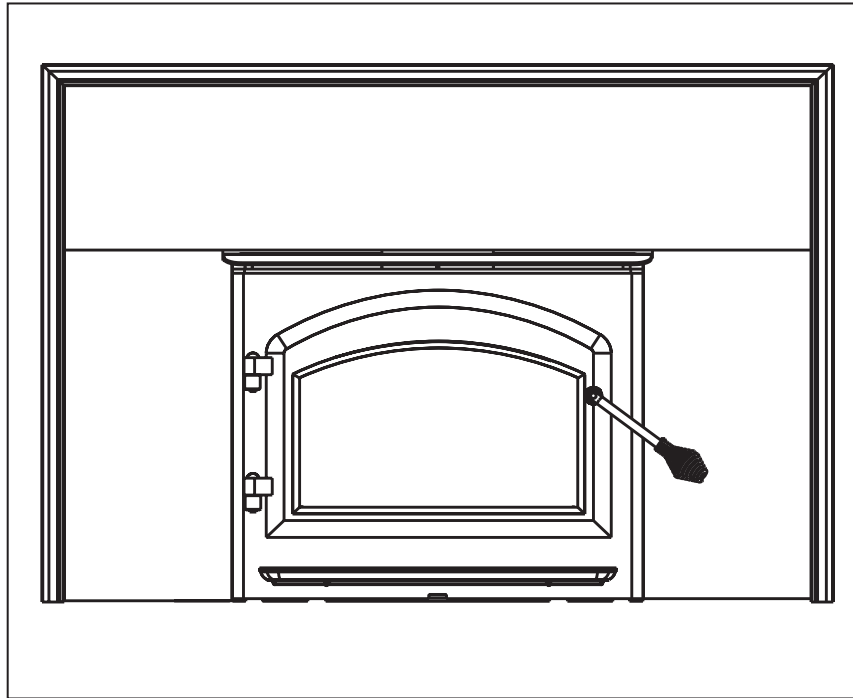


OAKDALE™ 1101 WOOD BURNING INSERT

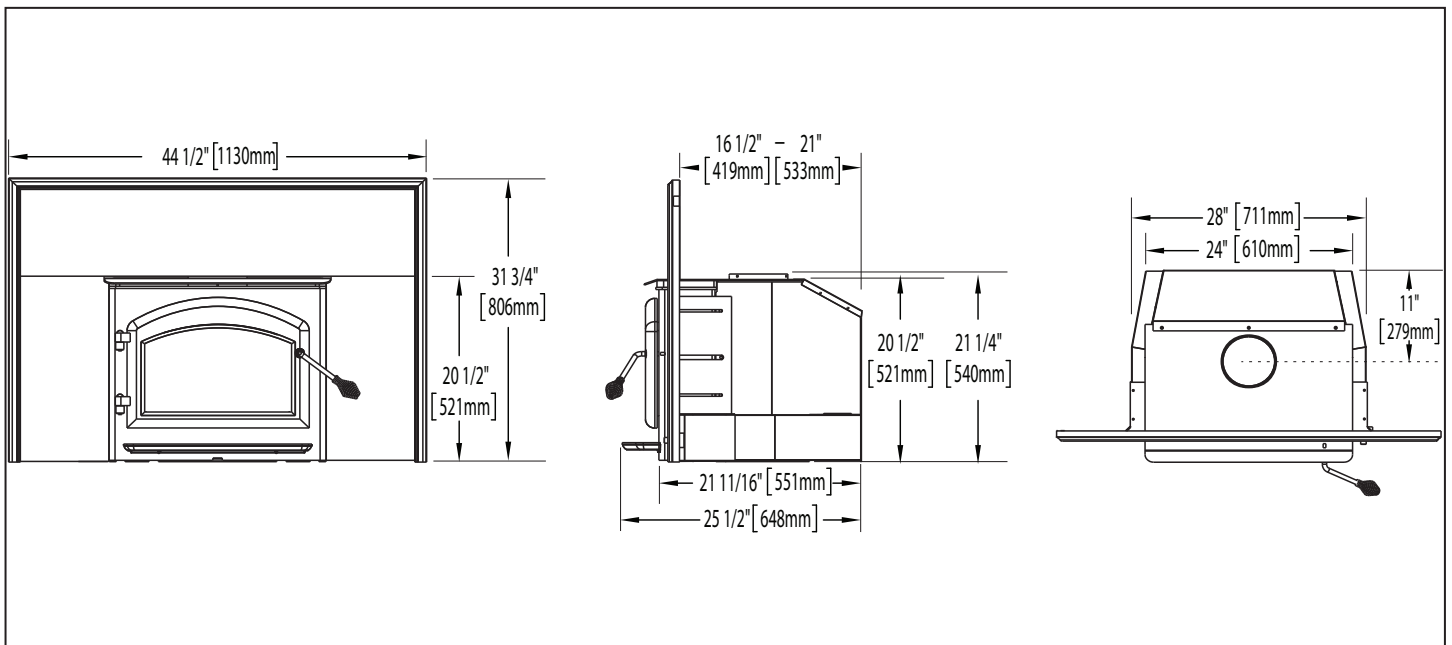
Specifications

Model	BTU	Width		Height		Depth		Capacity	Glass
		Unit	Chamber	Unit	Chamber	Unit	Chamber		
EPI-1101	55,000	44 1/2	18	31 3/4	12	13 1/2	18	1.7 Cubic Feet	10 1/2 X 16 1/4

Overview



Dimensions



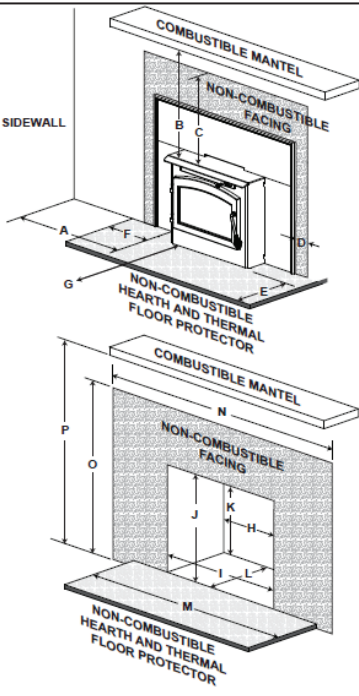
OAKDALE™ 1101 WOOD BURNING INSERT

Framing & Clearances

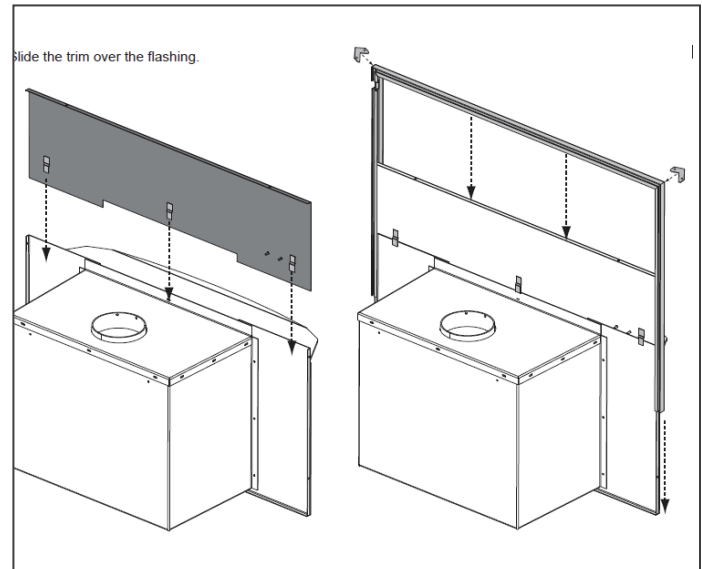
Minimum Clearances to Combustibles

MINIMUM CLEARANCES			
	1101	1402	
A	Sidewall	17" (432mm)	17" (432mm)
B	Mantel	28" (711mm)	28" (711mm)
C	Top facing	28" (711mm)	28" (711mm)
D	Side facing	1" (25mm)	1" (25mm)
E	Hearth (front)	16" (406mm)	16" (406mm)
F	Hearth (side)	8" (203mm)	8" (203mm)
G	Objects in front of insert	48" (1219mm)	48" (1219mm)
MINIMUM FIREPLACE SIZE			
H	Width (rear)	24" (610mm)	24 1/2" (622mm)
I	Width (front)	28.5" (724mm)	26" (660mm)
J	Height (front)	22" (558mm)	22" (558mm)
K	Height (rear)	22" (558mm)	22" (558mm)
L	Depth	16 1/2" (419mm) to 21" (533mm)	14 1/2" (368mm)
M	Hearth width	39" (990mm)	39" (990mm)
N	Facing width	46 1/2" (1181mm)	46 1/2" (1181mm)
O	Facing height	48 1/2" (1232mm)	47 3/4" (1213mm)
P	Mantel	48 1/2" (1232mm)	47 3/4" (1213mm)

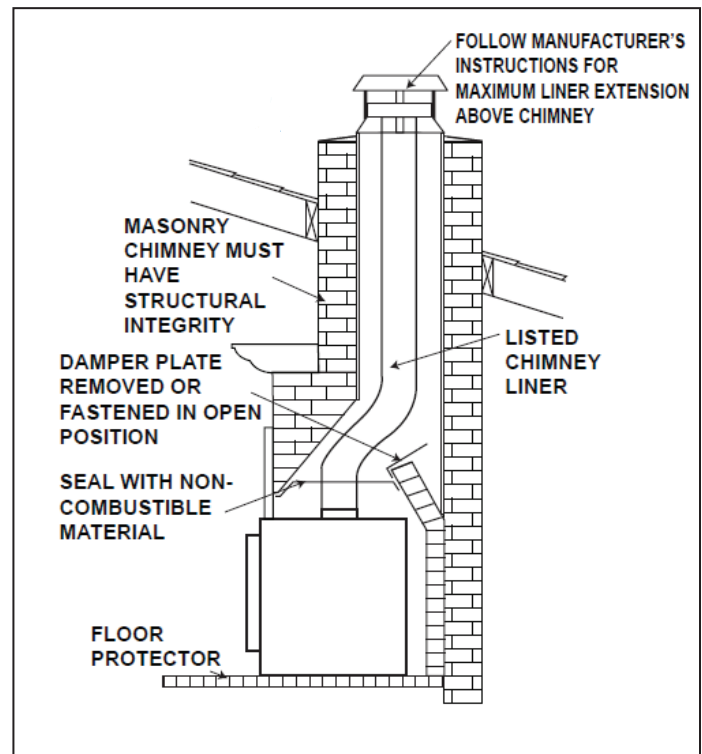
HEARTH EXTENSION / FLOOR PROTECTION:
Must be non-combustible and extend in front of the insert and 8" (203mm) on both sides with a minimum thickness of 1/2" (13mm) and a thermal conductivity factor (K) 0.84.



Flashing Installation



Typical Existing Masonry



Product information provided is not complete and is subject to change without notice. Please consult the installation manual for the most up to date installation information.