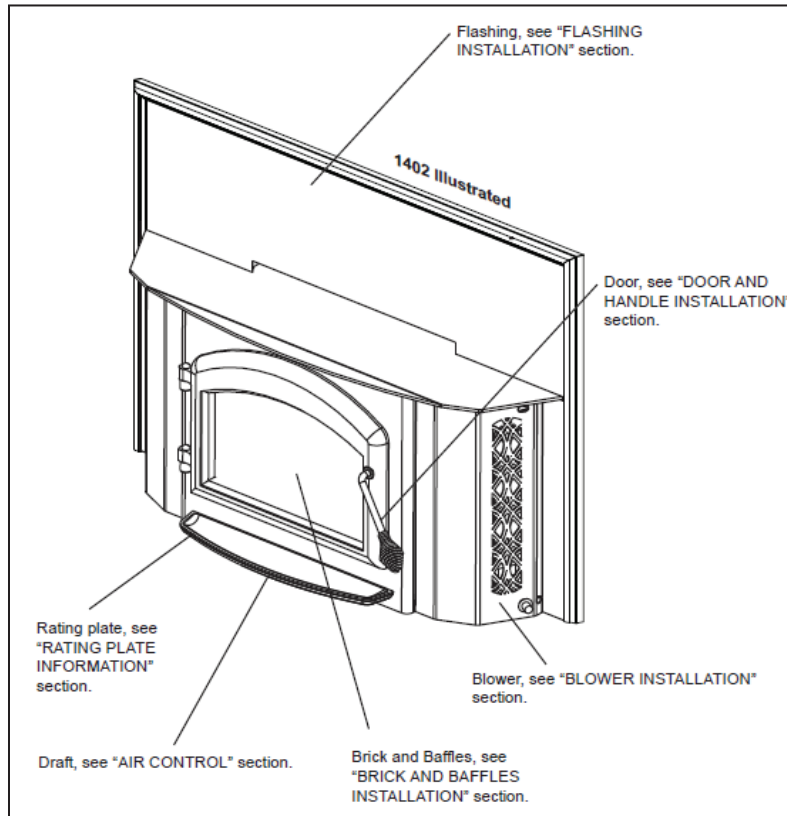


# OAKDALE™ 1402 WOOD BURNING INSERT

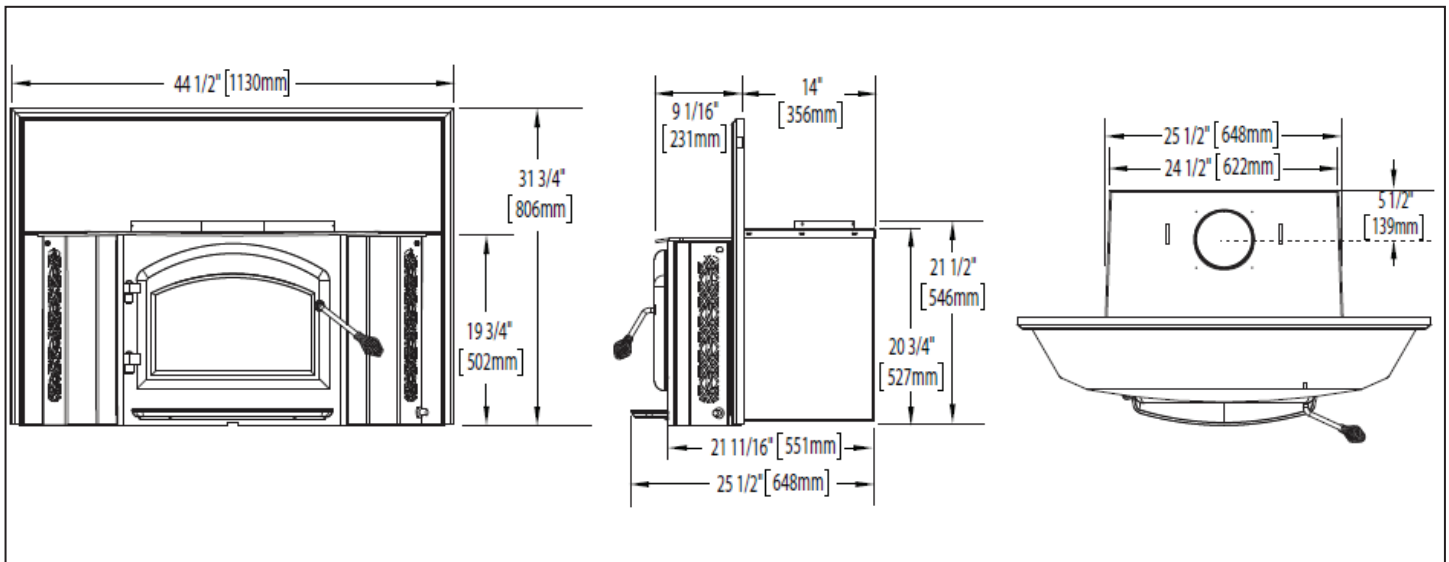
## Specifications

Model	BTU	Width		Height		Depth		Capacity	Glass
		Unit	Chamber	Unit	Chamber	Unit	Chamber		
EPI-1402	70,000	25 1/2"	18"	21 1/2"	12"	25 1/2"	18"	2.25 Cubic Feet	10 1/2" X 16 1/4"

## Overview



## Dimensions

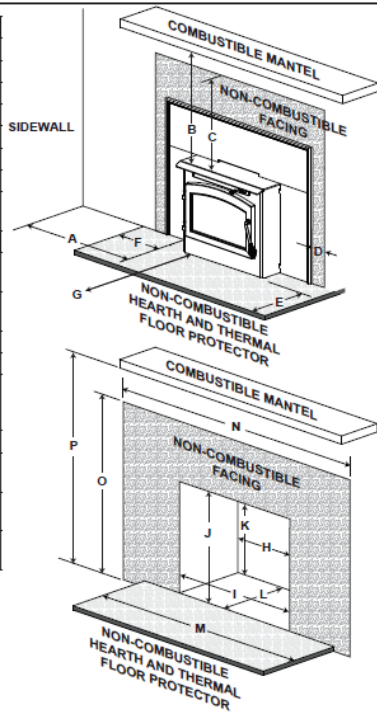


# OAKDALE™ 1402 WOOD BURNING INSERT

## Clearances

### Minimum Clearances to Combustibles

MINIMUM CLEARANCES		
	1101	1402
A Sidewall	17" (432mm)	17" (432mm)
B Mantel	28" (711mm)	28" (711mm)
C Top facing	28" (711mm)	28" (711mm)
D Side facing	1" (25mm)	1" (25mm)
E Hearth (front)	16" (406mm)	16" (406mm)
F Hearth (side)	8" (203mm)	8" (203mm)
G Objects in front of insert	48" (1219mm)	48" (1219mm)
MINIMUM FIREPLACE SIZE		
H Width (rear)	24" (610mm)	24 1/2" (622mm)
I Width (front)	28.5" (724mm)	26" (660mm)
J Height (front)	22" (558mm)	22" (558mm)
K Height (rear)	22" (558mm)	22" (558mm)
L Depth	16 1/2" (419mm) to 21" (533mm)	14 1/2" (368mm)
M Hearth width	39" (990mm)	39" (990mm)
N Facing width	46 1/2" (1181mm)	46 1/2" (1181mm)
O Facing height	48 1/2" (1232mm)	47 3/4" (1213mm)
P Mantel	48 1/2" (1232mm)	47 3/4" (1213mm)



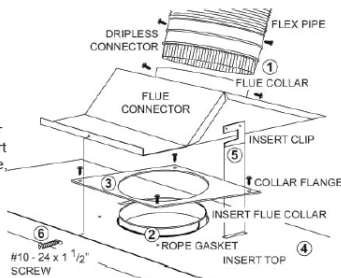
**HEARTH EXTENSION / FLOOR PROTECTION:** Must be non-combustible and extend in front of the insert and 8" (203mm) on both sides with a minimum thickness of 1/2" (13mm) and a thermal conductivity factor (K) 0.84.

### Low Clearance Flue Connector

An optional low clearance flue connector is available to facilitate hook up into a tight fitting fireplace. Consult your local dealer for details.

**NOTE:** This kit should be used in conjunction with a dripless connector between the flue collar and flex liner.

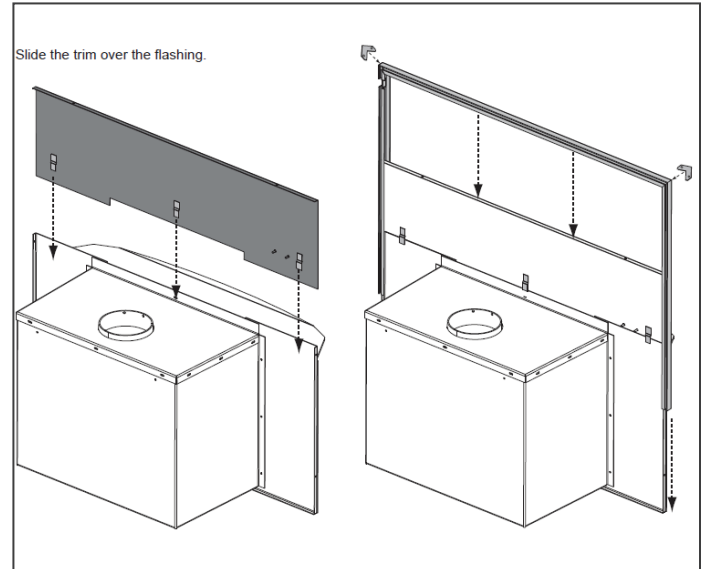
- 4.1.1 Having ensured that the chimney is thoroughly clean, install the flex liner. Insert a dripless connector into the flue collar. Attach the flex liner to other end of the adapter. Secure using 6 - #8 screws.
- 4.1.2-3 Coil the rope gasket around the insert flue collar sealing the gap between the collar and the insert top. Using 4 - #8 screws, attach the collar flange, squeezing the gasket tightly into place.
- 4.1.4-5 Move the insert into place in the fireplace. Maneuver the insert clips into the two slots located on the insert top by reaching through the insert flue collar from inside the insert.
- 4.1.6 Thread the #10 - 24 screw through the slot located on the insert top and into the threaded hole on the flue connector, allowing the flue connector to be drawn forward into place.



**NOTE:** Check for a good seal between the insert top and the flue connector (by holding a flashlight up through the insert collar, etc.).

Product information provided is not complete and is subject to change without notice. Please consult the installation manual for the most up to date installation information.

### Flashing Installation



### Typical Existing Masonry

