



# INSTALLATION AND OPERATION MANUAL

Bayfield™

**SAFETY INFORMATION**

**! WARNING**

**FIRE OR EXPLOSION HAZARD**

Failure to follow safety warnings exactly could result in serious injury, death, or property damage.

- Do not store or use gasoline or other flammable vapors and liquids in the vicinity of this or any other appliance.

**- WHAT TO DO IF YOU SMELL GAS:**

- Do not try to light any appliance.
- Do not touch any electrical switch; do not use any phone in your building.
- Immediately call your gas supplier from a neighbour's phone. Follow the gas supplier's instructions.
- If you cannot reach your gas supplier, call the fire department.

**- Installation and service must be performed by a qualified installer, service agency, or the supplier.**

This appliance may be installed in an aftermarket, permanently located, manufactured home (USA only) or mobile home, where not prohibited by local codes.

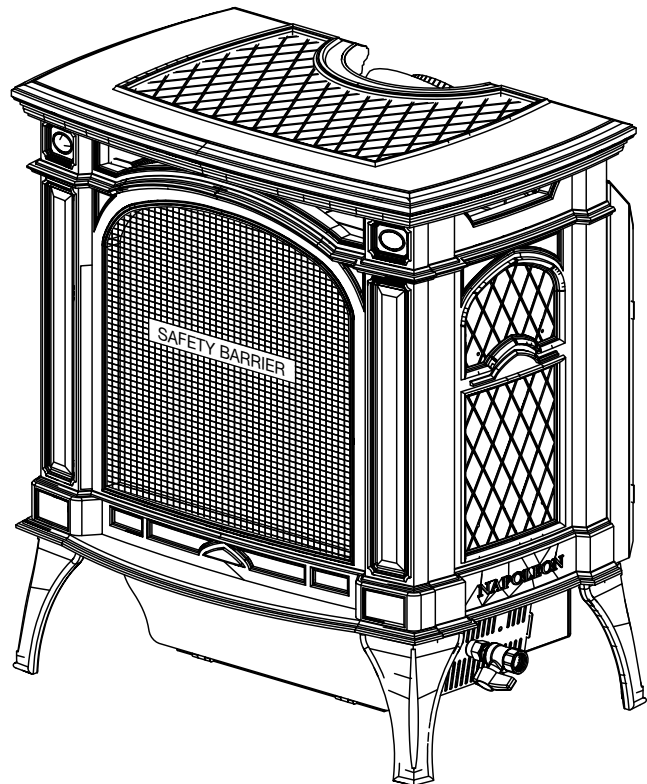
This appliance is only for use with the type of gas indicated on the rating plate. This appliance is not convertible for use with other gases, unless a certified kit is used.

**INSTALLER:**

Leave this manual with the appliance

**CONSUMER:**

Retain this manual for future reference



**FOR INDOOR USE ONLY**

**CERTIFIED TO THE CANADIAN AND AMERICAN NATIONAL STANDARDS: CSA 2.22 AND ANSI Z21.50 FOR VENTED DECORATIVE GAS APPLIANCES**

APPLY SERIAL NUMBER LABEL FROM CARTON



Wolf Steel Ltd., 24 Napoleon Rd., Barrie, ON, L4M 0G8 Canada / 103 Miller Drive, Crittenden, Kentucky, USA, 41030  
 Phone 1 (866) 820-8686 • www.napoleonfireplaces.com • hearth@napoleonproducts.com

## ! WARNING

- ◆ **This appliance is hot when operated and can cause severe burns if contacted.**
- **Any changes or alterations to this appliance or its controls can be dangerous and is prohibited.**
- Do not operate appliance before reading and understanding operating instructions. Failure to operate appliance according to operating instructions could cause fire or injury.
- Ensure the glass door is opened or removed when lighting the pilot for the first time and when the gas supply has run out.
- Risk of fire or asphyxiation do not operate appliance with fixed glass removed and never obstruct the front opening of the appliance.
- Objects placed in front of the appliance must be kept a minimum of 4 feet (1.22m) from the front face of the appliance.
- Do not connect 110 volts to the control valve, with the exception of models; GSST8 and GT8.
- Risk of burns. The appliance should be turned off and cooled before servicing.
- Do not install damaged, incomplete or substitute components.
- Risk of cuts and abrasions. Wear protective gloves, protective footwear, and safety glasses during installation. Sheet metal edges may be sharp.
- Do not burn wood or other materials in this appliance.
- Provide adequate ventilation and combustion air. Provide adequate accessibility clearance for servicing and operating the appliance. Never obstruct the front opening of the appliance.
- The appliance area must be kept clear and free from combustible materials, gasoline and other flammable vapors and liquids.
- High pressure will damage valve. Disconnect gas supply piping before pressure testing gas line at test pressures above 1/2 psig. Close the manual shut-off valve before pressure testing gas line at test pressures equal to or less than 1/2 psig (35mb).
- The appliance must not be operated at temperatures below freezing (32°F / 0°C). Allow the appliance to warm to above freezing prior to operation, with the exception of models; GSS36, GSS42; these appliances are suitable for 0°F / -18°C.
- **Children and adults should be alerted to hazards of high surface temperature and should stay away to avoid burns or clothing ignition.**
- **Young children should be carefully supervised when they are in the same room as the appliance. Toddlers, young children and others may be susceptible to accidental contact burns. A physical barrier is recommended if there are at risk individuals in the house. To restrict access to an appliance or stove, install an adjustable safety gate to keep toddlers, young children and other at risk individuals out of the room and away from hot surfaces.**
- **Clothing or other flammable material should not be placed on or near the appliance.**
- **Due to high temperatures, the appliance should be located out of traffic and away from furniture and draperies.**
- Furniture or other objects must be kept a minimum of 4 feet (1.22m) away from the front of the appliance.
- Ensure you have incorporated adequate safety measure to protect infants/toddlers from touching hot surfaces.
- Even after the appliance is off, it will remain hot for an extended period of time.
- Check with your local hearth specialty dealer for safety screens and hearth guards to protect children from hot surfaces. These screens and guards must be fastened to the floor.
- **Any safety screen, guard or barrier removed for servicing the appliance, must be replaced prior to operating the appliance.**
- It is imperative that the control compartments, burners and circulating blower and its passageway in the appliance and venting system are kept clean. The appliance and its venting system should be inspected before use and at least annually by a qualified service person. More frequent cleaning may be required due to excessive lint from carpeting, bedding material, etc. The appliance area must be kept clear and free from combustible materials, gasoline and other flammable vapors and liquids.
- If the appliance shuts off, do not re-light until you provide fresh air. If appliance keeps shutting off, have it serviced. Keep burner and control compartment clean.
- Under no circumstances should this appliance be modified.

# DANGER

**HOT GLASS WILL CAUSE BURNS.**


**DO NOT TOUCH GLASS UNTIL COOLED.**

**NEVER ALLOW CHILDREN TO TOUCH GLASS.**


A barrier designed to reduce the risk of burns from the hot viewing glass is provided with this appliance and shall be installed for the protection of children and other at-risk individuals.

## WARNING

- Do not allow wind or fans to blow directly into the appliance. Avoid any drafts that alter burner flame patterns.
- Do not use a blower insert, heat exchanger insert or other accessory not approved for use with this appliance.
- This appliance must not be connected to a chimney flue pipe serving a separate solid fuel burning appliance.
- Do not use this appliance if any part has been under water. Immediately call a qualified service technician to inspect the appliance and to replace any part of the control system and any gas control which has been under water.
- Do not operate the appliance with the glass door removed, cracked or broken. Replacement of the glass should be done by a licensed or qualified service person, if equipped.
- Do not strike or slam shut the appliance glass door, if equipped.
- **Only doors / optional fronts certified with the appliance are to be installed on the appliance.**
- Keep the packaging material out of reach of children and dispose of the material in a safe manner. As with all plastic bags, these are not toys and should be kept away from children and infants.
- Carbon or soot should not occur in a vent free appliance as it can distribute into the living area of your home. If you notice any signs of carbon or soot, immediately turn off your appliance and arrange to have it serviced by a qualified technician before operating it again.
- If equipped, the screen must be in place (closed) when the appliance is in operation.
- When equipped with pressure relief doors, they must be kept closed while the appliance is operating to prevent exhaust fumes containing carbon monoxide, from entering into the home. Temperatures of the exhaust escaping through these openings can also cause the surrounding combustible materials to overheat and catch fire.
- Carbon monoxide poisoning may lead to death; early signs of carbon monoxide poisoning resemble the flu, with headache, dizziness and/or nausea. If you have these signs, the heater may not be working properly. Get fresh air at once! Have heater serviced. Some people; pregnant women, persons with heart or lung disease, anemia, those under the influence of alcohol, those at high altitudes are more affected by carbon monoxide than others. Failure to keep the primary air opening(s) of the burner(s) clean may result in sooting and property damage.
- As with any combustion appliance, we recommend having your appliance regularly inspected and serviced as well as having a Carbon Monoxide Detector installed in the same area to defend you and your family against Carbon Monoxide. (Not applicable for outdoor appliances).
- Ensure clearances to combustibles are maintained when building a mantel or shelves above the appliance. Elevated temperatures on the wall or in the air above the appliance can cause melting, discolouration or damage to decorations, a T.V. or other electronic components.
- **For appliances equipped with a safety barrier; the barrier is designed to reduce the risk of burns from the hot viewing glass is provided with this appliance and shall be installed. If the barrier becomes damaged, the barrier shall be replaced with the manufacturer's barrier for this appliance.**
- **Installation and repair should be done by a qualified service person. The appliance should be inspected before use and at least annually by a professional service person. More frequent cleaning may be required due to excessive lint from carpeting, bedding material, etc. It is imperative that control compartments, burners and circulating air passageways of the appliance be kept clean.**
- For outdoor products only: this appliance must not be installed indoors or within any structure that prevents or inhibits the exhaust gases from dissipating in the outside atmosphere.
- If applicable, the millivolt version of this appliance uses and requires a fast acting thermocouple. Replace only with a fast acting thermocouple supplied by Wolf Steel Ltd.




## WARNING



### FIRE RISK HAZARD / DELAYED IGNITION

**High supply pressure will damage the valve / controls.**



Disconnect the appliance main gas valve/control from the supply piping when pressure testing that system at pressures in excess of 1/2 psi (3.5 kPa).

Isolate the appliance with it's shut off valve during any pressure testing of the supply piping at pressures equal to or less than 1/2 psi (3.5 kPa).

# table of contents

<b>1.0</b>	<b>general information</b>	<b>5</b>	<b>6.0</b>	<b>wiring diagram</b>	<b>31</b>
1.1	rates and efficiencies	5	<b>7.0</b>	<b>operation</b>	<b>32</b>
1.2	installation overview	6	7.1	general transmitter layout	33
1.3	rating plate information	8	7.2	initializing the transmitter / battery holder for the first time	33
1.4	mobile home installation	8	7.3	temperature display	34
1.5	hardware list	9	7.4	flame height	34
1.6	dimensions	10	7.5	blower speed	34
<b>2.0</b>	<b>venting requirements</b>	<b>11</b>	7.6	night light dimmer control	34
2.1	typical venting installation	13	7.7	continuous pilot / intermittent pilot (CPI / IPI) selection	34
2.2	special vent installations	14	7.8	key lock	35
2.2.1	periscope termination	14	7.9	low battery / manual bypass	35
2.2.2	corner termination	14	<b>8.0</b>	<b>adjustment</b>	<b>36</b>
2.3	vent terminal clearances	15	8.1	restricting vertical vents	36
2.4	horizontal termination	16	8.2	venturi adjustment	36
2.5	vertical termination	17	8.3	pilot burner adjustment	36
2.6	vertical through existing chimney	18	8.4	flame characteristics	37
<b>3.0</b>	<b>installation</b>	<b>19</b>	<b>9.0</b>	<b>maintenance</b>	<b>38</b>
3.1	horizontal installation	20	9.1	annual maintenance	39
3.2	vertical installation	20	9.2	night light replacement	40
3.3	horizontal air terminal installation	21	9.3	pilot injector and orifice replacement	40
3.4	extended horizontal and corner air terminal installation	21	9.4	care of glass	41
3.5	vertical air terminal installation	22	9.5	care of plated parts	41
3.6	appliance vent connection	23	<b>10.0</b>	<b>replacements</b>	<b>42</b>
3.7	gas installation	23	10.1	overview	43
3.8	minimum clearance to combustibles	24	10.2	valve train assembly	44
3.9	minimum mantel or shelf clearances	25	<b>11.0</b>	<b>accessories</b>	<b>45</b>
<b>4.0</b>	<b>finishing</b>	<b>26</b>	<b>12.0</b>	<b>troubleshooting</b>	<b>46</b>
4.1	cast front installation and removal	26	<b>13.0</b>	<b>warranty</b>	<b>49</b>
4.2	safety barrier installation and removal	26			
4.3	glass door installation and removal	27			
4.4	log placement	27			
4.5	logo placement	28			
<b>5.0</b>	<b>optional blower installation</b>	<b>29</b>			

## note:

The information throughout this manual is believed to be correct at the time of printing. Wolf Steel Ltd. reserves the right to change or modify any information within this manual at any time without notice. Changes, other than editorial, are denoted by a vertical line in the margin.



The camera icon indicates video tutorials are available as additional reference, visit <http://www.napoleonfireplaces.com/category/product-support/support-centre/>

**Installer, please fill out the following information:**

Customer: \_\_\_\_\_  
 Address: \_\_\_\_\_  
 Date of Installation: \_\_\_\_\_  
 Location of appliance: \_\_\_\_\_  
 Installer: \_\_\_\_\_  
 Dealer/Distributor contact number: \_\_\_\_\_  
 Serial #: \_\_\_\_\_

Model:

**Natural Gas:**  GDS25N-1

**Propane:**  GDS25P-1

## 1.0 general information

For elevations between 2,000ft (610m) and 4,500ft (1372m) above sea level, this appliance must be de-rated by 10% using the certified high altitude kit. When the appliance is installed at elevations above 4,500ft (1372m), and in the absence of specific recommendations from the local authority having jurisdiction, the certified high altitude input rating shall be reduced at the rate of 4% for each additional 1,000ft (305m).

Expansion / contraction noises during heating up and cooling down cycles are normal and to be expected.

This appliance is only for use with the type of gas indicated on the rating plate. This appliance is not convertible for use with other gases, unless a certified kit is used.

The blower power cord must be connected into a properly grounded receptacle. The grounding prong must not be removed from the cord plug.

This appliance is approved for closet or recessed installations, as well as for bathroom, bedroom and bed-sitting room installations and is suitable for mobile home installations. The natural gas model can be installed in a mobile home that is permanently positioned on its site and fueled with natural gas.

**note:**

A barrier designed to reduce the risk of burns from the hot viewing glass is provided with the appliance and must be installed.

**The protective wrap on plated parts is best removed when the assembly is at room temperature but this can be improved if the assembly is warmed, using a hair dryer or similar heat source.**

**This appliance is a decorative product. It is not a source of heat and not intended to burn solid fuel.**

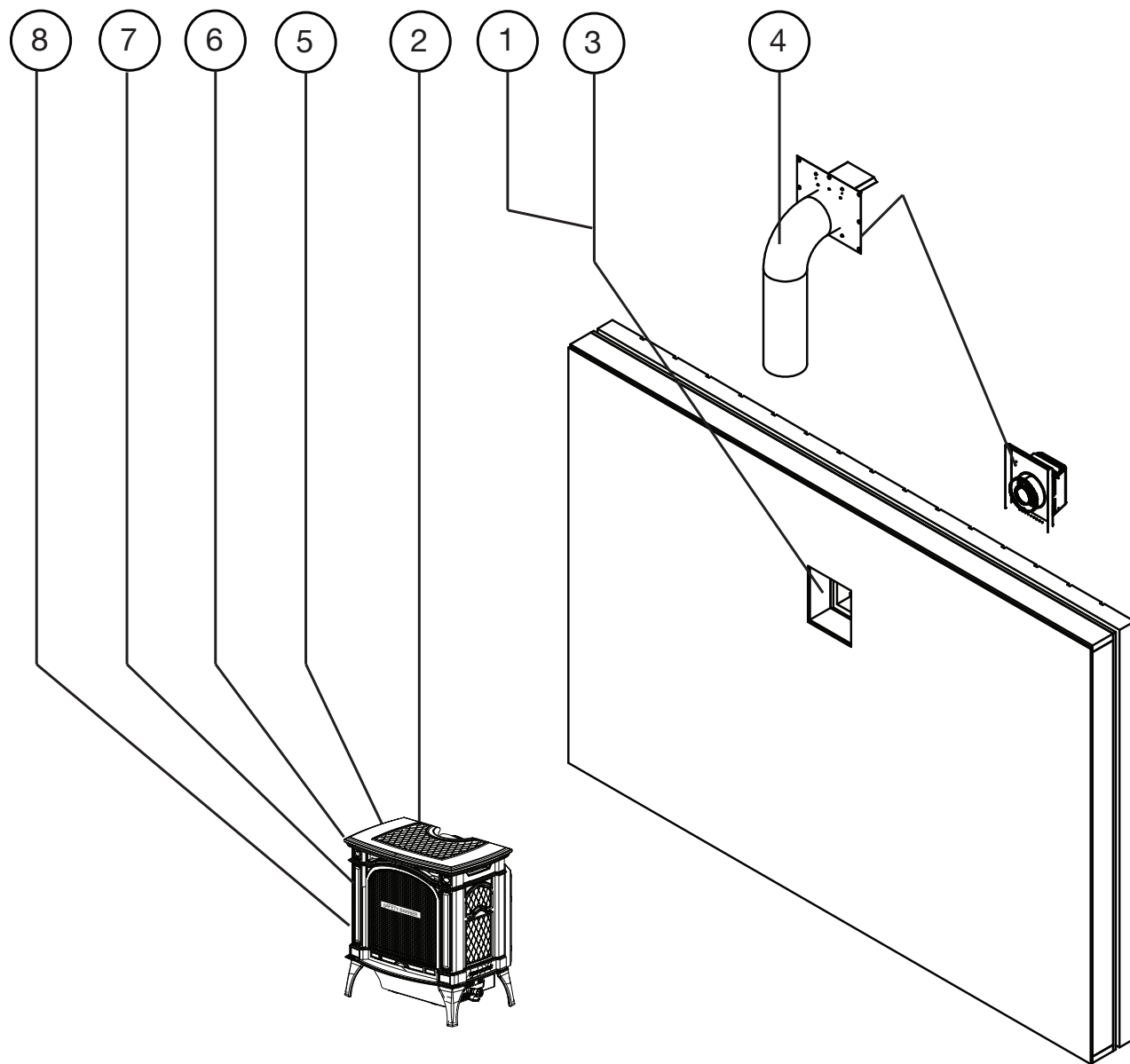


Batteries must be disposed of according to the local laws and regulations. Some batteries may be recycled, and may be accepted for disposal at your local recycling center. Check with your municipality for recycling instructions.

### 1.1 rates and efficiencies

GDS25-1		
	NG	P
Altitude (FT)	0-2,000	0-2,000
Max. Input (BTU/HR)	24,500	23,000
Max. Output (BTU/HR)	19,000	16,000
Efficiency (w/the fan on)	80%	80%
Min. Inlet Gas Supply Pressure	4.5" Water Column (11mb)	11" Water Column (27mb)
Max. Inlet Gas Supply Pressure	13" Water Column (17mb)	13" Water Column (32mb)
Manifold Pressure (Under Flow Conditions)	3.5" Water Column (9mb)	10" Water Column (25mb)

## 1.2 installation overview

**Recommended installation steps:**

1. Determine venting requirements before deciding the final location of the appliance.
2. Place the appliance in its final position.
3. Create hole for appliance venting.
4. Install appliance venting (refer to “venting requirements” and “installation” sections).
5. Install all electrical wirings (refer to “wiring diagram” section).
6. Install gas lines (refer to “gas installation” section).
7. Complete finishing (refer to “finishing” section).
8. Test appliance (refer to “gas installation” section).

**! WARNING**

- Always light the pilot whether for the first time or if the gas supply has run out, with the glass door opened or removed.
- Provide adequate clearance for servicing and operating the appliance.
- Provide adequate ventilation.
- Never obstruct the front opening of the appliance.
- Objects placed in front of the appliance must be kept a minimum of 48" (121.9cm) from the front face of the appliance.
- Surfaces around and especially above the appliance can become hot. Avoid contact when appliance is operating.
- Fire risk. Explosion hazard.
- High pressure will damage valve. Disconnect gas supply piping before pressure testing gas line at test pressures above 1/2 PISG (35mb). Close the manual shut-off valve before pressure testing gas line at test pressures equal to or less than 1/2 PISG (35mb).
- Use only Wolf Steel approved optional accessories and replacement parts with this appliance using non-listed accessories (blowers, doors, louvres, trims, gas components, venting components, etc.) could result in a safety hazard and will void the warranty and certification.
- The appliance must not be operated at temperatures below freezing (32°F/0°C). Allow the appliance to warm to above freezing prior to operation.

**THIS GAS APPLIANCE MUST BE INSTALLED AND SERVICED BY A QUALIFIED INSTALLER** to conform with local codes. Installation practices vary from region to region and it is important to know the specifics that apply to your area, for example in Massachusetts State:

- This product must be installed by a licensed plumber or gas fitter when installed within the commonwealth of Massachusetts.
- The appliance damper must be removed or welded in the open position prior to installation of an appliance insert or gas log.
- The appliance off valve must be a "T" handle gas cock.
- The flexible connector must not be longer than 36 inches (0.9m).
- A carbon monoxide detector is required in all rooms containing gas fired appliances.
- The appliance is not approved for installation in a bedroom or bathroom unless the unit is a direct vent sealed combustion product.

The installation must conform with local codes or, in absence of local codes, the National Gas and Propane Installation Code CSA B149.1 in Canada, or the National Fuel Gas Code, ANSI Z223.1 / NFPA 54 in the United States. Suitable for mobile home installation if installed in accordance with the current standard CAN/CSA Z240MH Series, for gas equipped mobile homes, in Canada or ANSI Z223.1 and NFPA 54 in the United States.

The appliance and its individual shutoff valve must be disconnected from the gas supply piping system during any pressure testing of that system at test pressures in excess of 1/2 psig (35 mb).

The appliance must be isolated from the gas supply piping system by closing its individual manual shutoff valve during any pressure testing of the gas supply piping system at test pressures equal to or less than 1/2 psig (35 mb). When installed with a blower or fan, the junction box must be electrically connected and grounded in accordance with local codes. In the absence of local codes, use the current CSA C22.1 Canadian Electrical Code in Canada or the ANSI / NFPA 70 National Electric Code in the United States. In the case where the blower is equipped with a power cord, it must be connected into a properly grounded receptacle. The grounding prong must not be removed from the cord plug.

The following does not apply to inserts; as long as the required clearance to combustibles is maintained, the most desirable and beneficial location for an appliance is in the center of a building, thereby allowing the most efficient use of the heat created. The location of windows, doors and, the traffic flow in the room where the appliance is to be located should be considered. If possible, you should choose a location where the vent will pass through the house without cutting a floor or roof joist. If the appliance is installed directly on carpeting, vinyl tile or other combustible material other than wood flooring, the appliance shall be installed on a metal or wood panel extending the full width and depth, unless otherwise tested.



We suggest that our gas hearth products be installed and serviced by professionals who are certified in the U.S. by the National Fireplace Institute® (NFI) as NFI Gas Specialists

## 1.3 rating plate information

CONFORMS TO / CONFORME AUX: ANSI Z21.50-2016, CERTIFIED TO / CERTIFIE CSA 2.22-2016 VENTED DECORATIVE GAS APPLIANCE / FOYER À GAZ VENTILÉ.

APPROVED FOR BEDROOM, BATHROOM & BEDSITTING ROOM INSTALLATION. SUITABLE FOR MOBILE HOME INSTALLATION IF INSTALLED IN ACCORDANCE WITH THE CURRENT STANDARD CAN/CSA Z240MH SERIES GAS EQUIPPED MOBILE HOMES, IN CANADA OR IN THE UNITED STATES THE MANUFACTURED HOME CONSTRUCTION AND SAFETY STANDARD, TITLE 24 CFR, PART 3280. WHEN THIS US STANDARD IS NOT APPLICABLE USE THE STANDARD FOR FIRE SAFETY CRITERIA FOR MANUFACTURED HOME INSTALLATIONS, SITES AND COMMUNITIES, ANSI / NFPA 501A. FOR USE WITH BARRIER W010-3295. FOLLOW THE INSTALLATION INSTRUCTIONS LOCATED IN THE INSTALLATION MANUAL.

HOMOLOGUE POUR INSTALLATION DANS UNE CHAMBRE A COUCHER, UNE SALLE DE BAIN ET UN STUDIO. APPROPRIE POUR INSTALLATION DANS UNE MAISON MOBILE SI SON INSTALLATION CONFORME AUX EXIGENCES DE LA NORME CAN/CSA Z240MH SERIE DE MAISONS MOBILES EQUIPEES AU GAZ, EN VIGUEUR AU CANADA OU AUX ETATS-UNIS DE LA NORME DE SECURITE ET DE CONSTRUCTION DE MAISONS MANUFACTUREES, TITRE 24 CFR, SECTION 3280. DANS LE CAS OU CETTE NORME D'ETATS-UNIS NE PEUT ETRE APPLIQUEE, SE REFERER A LA NORME RELATIVE AU CRITERE DE MESURES DE SECURITE CONTRE L'INCENDIE POUR LES INSTALLATIONS DANS LES MAISONS MANUFACTUREES, LES SITES ET LES COMMUNAUTES, ANS/NFPA 501A. POUR UNE UTILISER AVEC BARRIERE W010-3295. SUIVEZ LES INSTRUCTIONS D'INSTALLATION SE TROUVENT DANS LE MANUEL D'INSTALLATION.

**ETL** LISTED  
Intertek

9700539 (WSL)  4001658 (NAC)  4001657 (NGZ)  4001659 (WUSA)

MANIFOLD PRESSURE: 3.5" W.C. (NG)  
PRESSION AU COLLECTEUR: 3.5" D'UNE COLONNE D'EAU (GN)

MIN SUPPLY PRESSURE: 4.5" W.C. (NG)  
PRESSION D'ALIMENTATION MIN: 4.5" D'UNE COLONNE D'EAU (GN)

MAX. SUPPLY PRESSURE: 7" W.C. (NG)  
PRESSION D'ALIMENTATION MAX: 7" D'UNE COLONNE D'EAU (GN)

AFUE: 64%

0-2000ft  2000-4500ft  ALTITUDE / ELEVATION INPUT / ALIMENTATION 0-2000ft  2000-4500ft

24,500 BTU/h 22,000 BTU/h 19,000 BTU/h 16,000 BTU/h 23,000 BTU/h 20,000 BTU/h 16,000 BTU/h 14,000 BTU/h

MODEL GDS25N  GDS25P

UN COMBUSTIBLE SOLIDE NE DOIT PAS ETRE UTILISE AVEC CET APPAREIL

MANIFOLD PRESSURE: 10" W.C. (LP)  
PRESSION AU COLLECTEUR: 10" D'UNE COLONNE D'EAU (P)

MIN SUPPLY PRESSURE: 11" W.C. (LP)  
PRESSION D'ALIMENTATION MIN: 11" D'UNE COLONNE D'EAU (P)

MAX. SUPPLY PRESSURE: 13" W.C. (LP)  
PRESSION D'ALIMENTATION MAX: 13" D'UNE COLONNE D'EAU (P)

AFUE: 64%

**NOT FOR USE WITH SOLID FUEL**  
FOR USE WITH GLASS DOORS CERTIFIED WITH THIS UNIT ONLY.  
**WARNING:** DO NOT ADD ANY MATERIAL TO THE APPLIANCE, WHICH WILL COME IN CONTACT WITH THE FLAMES, OTHER THAN THAT SUPPLIED BY THE MANUFACTURER WITH THE APPLIANCE.  
ELECTRICAL RATING: 115V 1.5AMP 60HZ THE APPLIANCE MUST BE VENTED USING THE APPROPRIATE WOLF STEEL VENT KITS. SEE OWNERS INSTALLATION MANUAL FOR VENTING SPECIFICS. MINIMUM AND MAXIMUM VERTICAL VENT LENGTHS ARE 3 FEET AND 40 FEET RESPECTIVELY.

MINIMUM AND MAXIMUM HORIZONTAL VENT LENGTHS ARE 10 INCHES AND 20 FEET RESPECTIVELY. PROPER REINSTALLATION AND RESEALING IS NECESSARY AFTER SERVICING THE VENT-AIR INTAKE SYSTEM.

UTILISER AVEC LES PORTES VITREES HOMOLOGUEES SEULEMENT AVEC CETTE UNITE.  
**AVERTISSEMENT:** N'AJOUTEZ PAS A CET APPAREIL AUCUN MATERIAU DEVANT ENTRER EN CONTACT AVEC LES FLAMMES AUTRE QUE CELUI QUI EST FOURNI AVEC CET APPAREIL PAR LE FABRICANT.  
CLASS.: 115V 1.5AMP 60HZ L'APPAREIL DOIT EVACUER SES GAZ EN UTILISANT L'ENSEMBLE D'EVACUATION PROPRE A WOLF STEEL. REFERER AU MANUEL D'INSTALLATION DE PROPRIETAIRE POUR L'EVACUATION PRECISE. LES LONGUEURS VERTICALES MINIMALES ET MAXIMALES SONT 3 PIEDS ET 40 PIEDS RESPECTIVEMENT.

LES LONGUEURS HORIZONTALES MINIMALES ET MAXIMALES SONT 10 POUCHES ET 20 PIEDS RESPECTIVEMENT.  
IL EST IMPORTANT DE BIEN REINSTALLER ET RESELLER L'EVENET APRES AVOIR ASSURE LE MAINTIEN DU SYSTEME DE PRISE D'AIR.  
**DEGAGEMENTS MINIMAUX DES MATERIAUX COMBUSTIBLES:**

A 4" B/W (M/A) B 2" C 2" VENT TOP 2" VENT BOTTOM 1" VENT SIDES 1"

A 4" B/W (M/A) B 2" C 2" TO CEILING FROM STOVE TOP 48" 1"

A 4" B/W (M/A) B 2" C 2" EVENT SUPERIEUR 2" EVENT INFERIEUR 1" COTES DE L'EVENET 1"

A 4" B/W (M/A) B 2" C 2" ENTRE LE DESSUS DU FOYER ET LE PLAFOND 48"

WOLF STEEL LTD.  
24 NAPOLEON ROAD, BARRIE, ONTARIO L4M 0G8 CANADA

SERIAL NUMBER / NO. DESERIE **GDS25**

W385-1962 / A

This illustration is for reference only. Refer to the rating plate on the appliance for accurate information.

**note:**

The rating plate must remain with the appliance at all times. It must not be removed.

## 1.4 mobile home installation

This appliance must be installed in accordance with the manufacturer's instructions and the Manufactured Home Construction and Safety Standard, Title 24 CFR, Part 3280, in the United States or the Mobile Home Standard, CAN/CSA Z240 MH Series, in Canada. This appliance is only for use with the type(s) of gas indicated on the rating plate.

This mobile/manufactured home listed appliance comes factory equipped with a means to secure the appliance. Built in appliances are equipped with 1/4" (6.4mm) diameter holes located in the front left and right corners of the base. Use appropriate fasteners, inserted through the holes in the base to secure. For free standing products contact your local authorized dealer / distributor for the appropriate securing kit. For mobile home installations, the appliance must be fastened in place. It is recommended that the appliance be secured in all installations. Always turn off the pilot and the fuel supply at the source, prior to moving the mobile home. After moving the mobile home and prior to lighting the appliance, ensure that the logs are positioned correctly.

This appliance is certified to be installed in an aftermarket permanently located, manufactured (mobile) home, where not prohibited by local codes.

This appliance is only for use with the type of gas indicated on the rating plate. This appliance is not convertible for use with other gases, unless a certified kit is used.

**Conversion Kits**

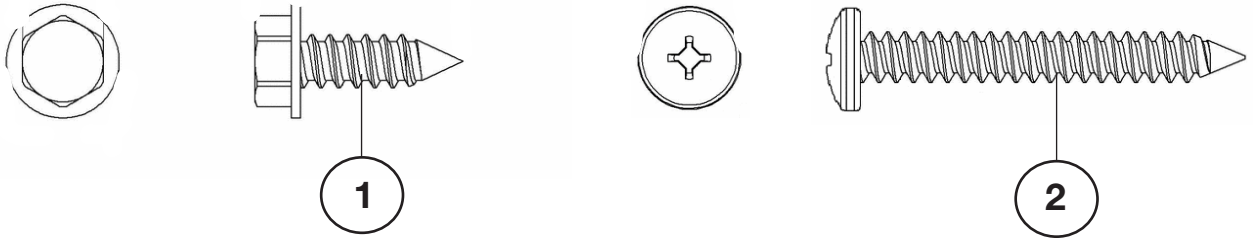
This appliance is field convertible between Natural Gas (NG) and Propane (P). To convert from one gas to another, consult your Authorized dealer/distributor.

**note:**

Conversion kits are not available for Vent Free appliances.



1.5 hardware list

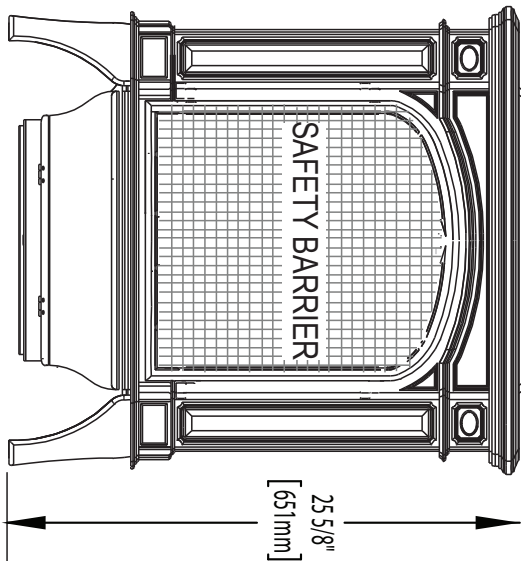


	Description	Quantity
1	1/4" Hex Head Screw	3
2	1 3/4" Pan Head Screw	4

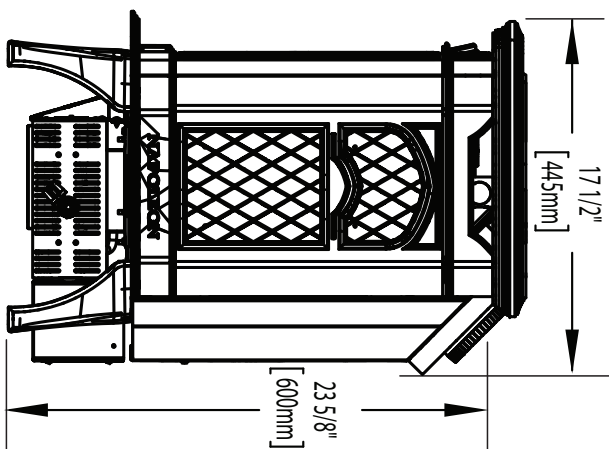
**note:**

Only fasteners supplied with the appliance are illustrated.

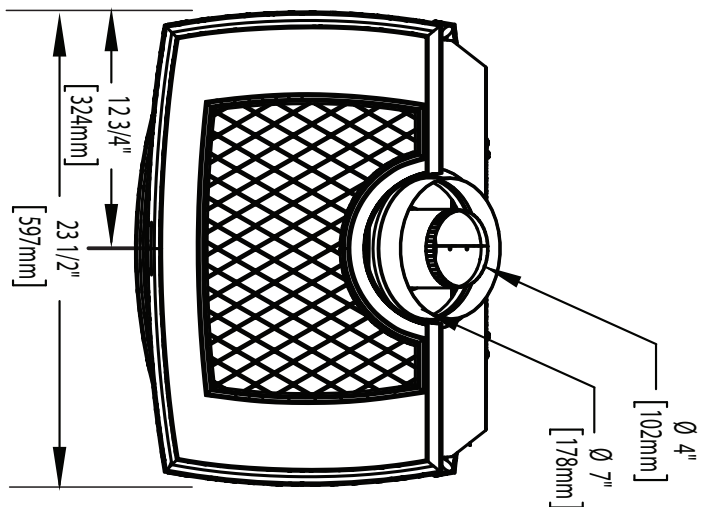
**FRONT VIEW**



**RIGHT SIDE VIEW**



**TOP VIEW**



### **WARNING**

- Risk of fire. Maintain specified air space clearances to vent pipe and appliance.
- If venting is included with spacers, the vent system must be supported every 3'(0.9m) for both vertical and horizontal runs. Use support ring assembly W010-0067 or equivalent non-combustible strapping to maintain the minimum clearance to combustibles for both vertical and horizontal runs. Spacers are attached to the inner pipe at predetermined intervals to maintain an even air gap to the outer pipe. This gap is required for safe operation. A spacer is required at the start, middle, and end of each elbow to ensure this gap is maintained. These spaces must not be removed.

**This appliance uses a 4" (102mm) exhaust / 7" (178mm) air intake vent pipe system. Refer to the section applicable to your installation.**

For safe and proper operation of the appliance, follow the venting instructions exactly. Deviation from the minimum vertical vent length can create difficulty in burner start-up and/or carboning. Under extreme vent configurations, allow several minutes (5-15) for the flame to stabilize after ignition. Although not a requirement, it is recommended for vent lengths that pass through unheated spaces (attics, garages, crawl spaces) be insulated with the insulation wrapped in a protective sleeve to minimize condensation. Provide a means for visually checking the vent connection to the appliance after the appliance is installed. Use a firestop, vent pipe shield or attic insulation shield when penetrating interior walls, floor or ceiling.

The vent terminal may be painted with a high temperature paint to match exterior colours. Use an outdoor paint suitable for 400°F (200°C). Application and performance of paint is the consumer's responsibility. Spot testing is recommended.

**note:**

If for any reason the vent air intake system is disassembled, re-install per the instructions provided for the initial installation.

**note:**

This appliance must be installed with a continuous connection of exhaust and air intake vent pipes. Utilizing alternate constructions such as a chimney as part of the vent system is not permitted.

Use only Wolf Steel, Simpson Dura-Vent, Selkirk Direct Temp, American Metal Amerivent or Metal-Fab venting components. Minimum and maximum vent lengths, for both horizontal and vertical installations, clearances from vent pipes to combustibles and air terminal locations as set out in this manual apply to all vent systems and must be adhered to. For Simpson Dura-Vent, Selkirk Direct Temp, American Metal Amerivent and Metal-Fab, follow the installation procedure provided with the venting components or on the website for your venting supplier. A starter adaptor must be used with the following vent systems and may be purchased from the corresponding supplier:

Vent Manufacturer	Starter Adapter Part Number	Supplier	Website
Duravent	W175-0053	Wolf Steel	www.duravent.com
Amerivent	4DSC-N2	American Metal	www.americanmetalproducts.com
Direct Temp	4DT-AAN	Selkirk	www.selkirkcorp.com
SuperSeal	4DNA	Metal-Fab	www.mtlfab.com

For vent systems that provide seals on the inner exhaust flue, only the outer air intake joints must be sealed using a red high temperature silicone (RTV). This same sealant may be used on both the inner exhaust and outer intake vent pipe joints of all other approved vent systems except for the exhaust vent pipe connection to the appliance flue collar which must be sealed using the black high temperature sealant Mill Pac. High temperature sealant must be ordered separately.

When using Wolf Steel venting components, use only approved Wolf Steel rigid / flexible components with the following termination kits: wall terminal kit **GD-222**, **GD-222R**, or 1/12 to 7/12 pitch roof terminal kit **GD-110**, 8/12 to 12/12 roof terminal kit **GD-111**, flat roof terminal kit **GD-112** or periscope kit **GD-201** (for wall penetration below grade). With flexible venting, in conjunction with the various terminations, use either the 5 foot (1.5m) vent kit **GD-220** or the 10 foot (3.1m) vent kit **GD-330**. For stoves only: wall terminal kit **GD-175** (venting included).

## venting requirements

**For optimum flame appearance and appliance performance, keep the vent length and number of elbows to a minimum.**

**The air terminal must remain unobstructed at all times. Examine the air terminal at least once a year to verify that it is unobstructed and undamaged.**

**Rigid and flexible venting systems must not be combined. Different venting manufacturer components must not be combined.**

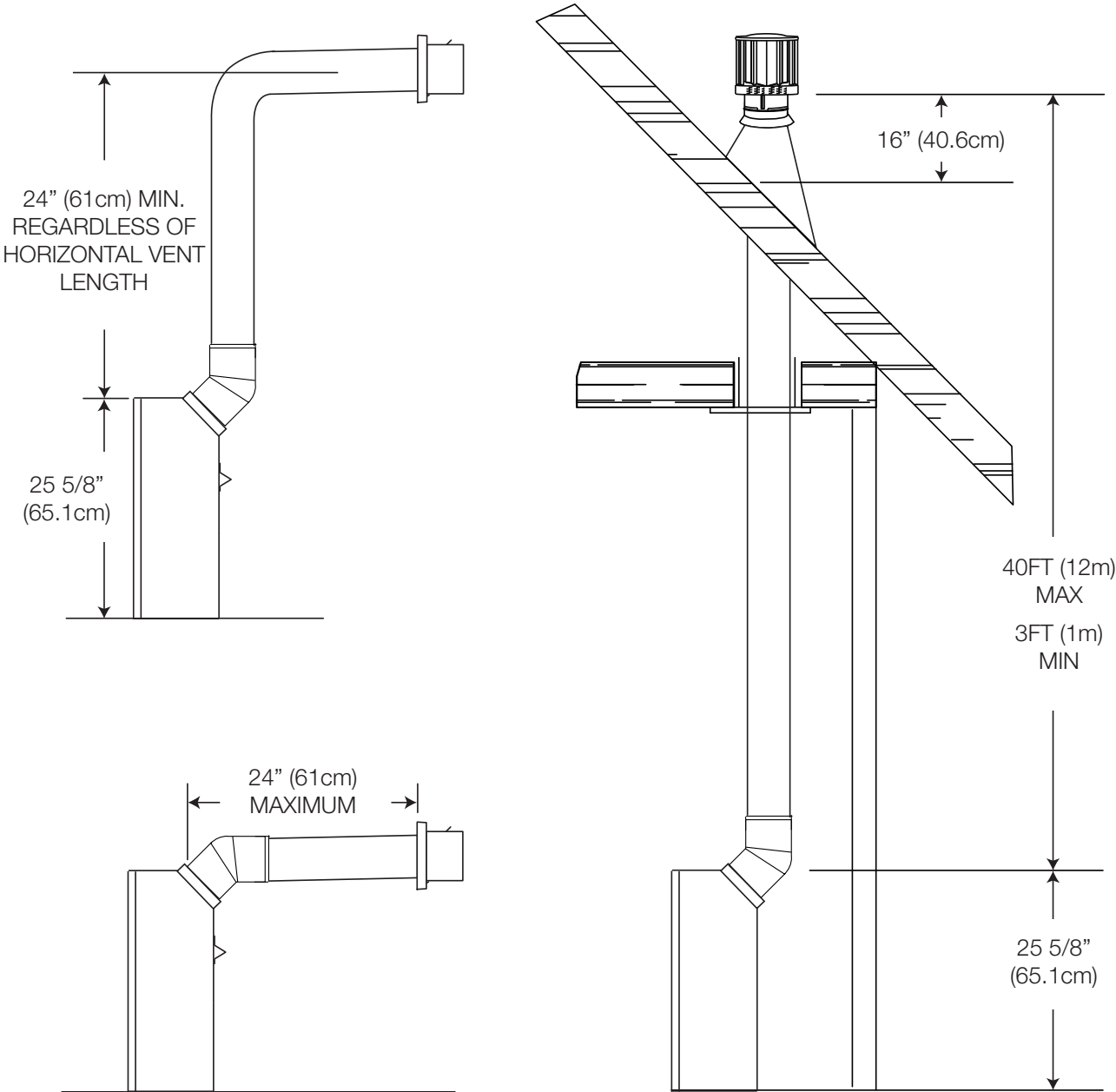
These vent kits allow for either horizontal or vertical venting of the appliance. The maximum allowable horizontal run is 20 feet (6.1m). The maximum allowable vertical vent length is 40 feet (12.2m). The maximum number of vent connections is two horizontally or three vertically (excluding the appliance and the air terminal connections) when using flexible venting.

Horizontal runs may have a 0" rise per foot or 0mm rise per meter however for optimum performance it is recommended that all horizontal runs have a minimum 1/4" rise per foot or 21mm rise per meter using flexible venting. For safe and proper operation of the appliance, follow the venting instructions exactly.

A terminal shall not terminate directly above a sidewalk or paved driveway which is located between two single family dwellings and serves both dwellings. Local codes or regulations may require different clearances.

Do not allow the inside liner to bunch up on horizontal or vertical runs and elbows. Keep it pulled tight. A 1/4" (31.8mm) air gap all around between the inner liner and outer liner is required for safe operation.

2.1 typical venting installation



**! WARNING**

- The maximum horizontal run with a 57" (1.45m) vertical rise immediately above the appliance is 20 feet (6.1m).

## venting requirements

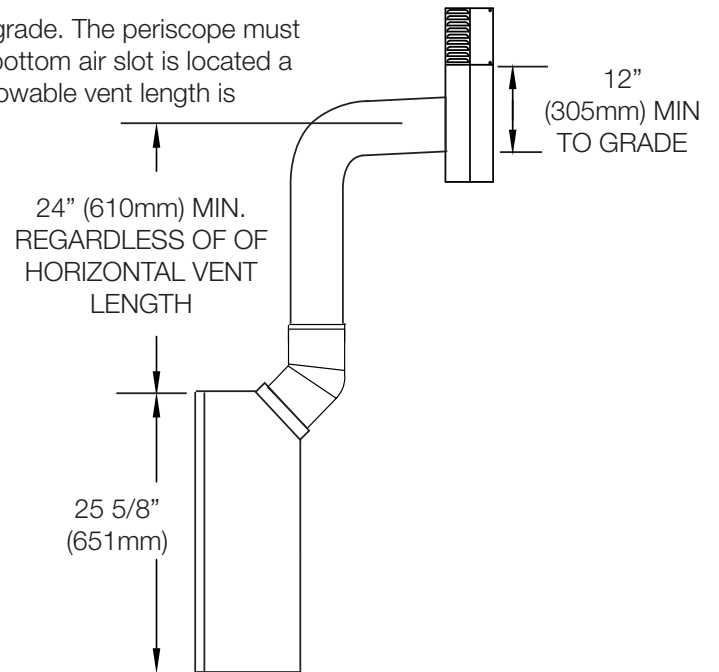
### 2.2 special vent installations

#### 2.2.1 periscope termination

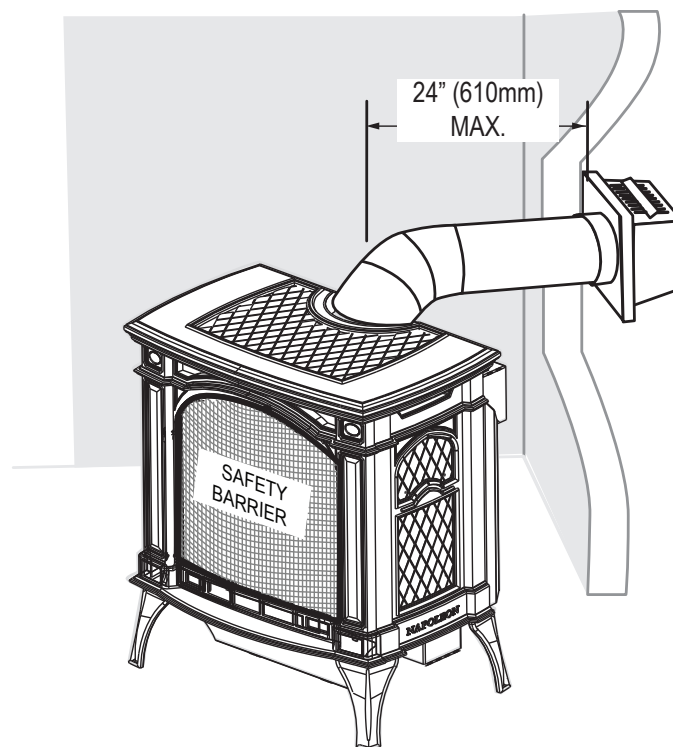
Use the periscope kit to locate the air termination above grade. The periscope must be installed so that when final grading is completed, the bottom air slot is located a minimum of 12" (305mm) above grade. The maximum allowable vent length is 10' (3.1m) for a fireplace and 8' (2.4m) for a stove.

#### **!** WARNING

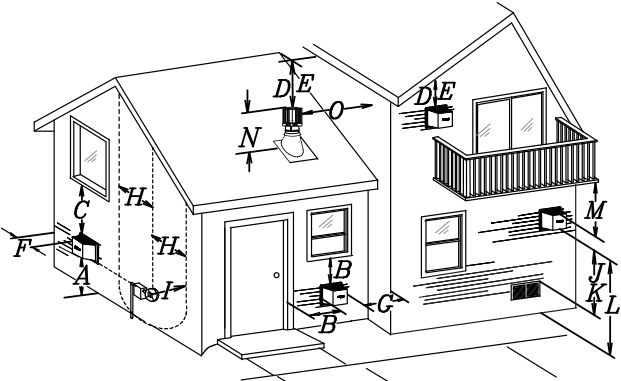
- Below grade installation maximum 8ft (2.4m) vent length.
- Use GD201 periscope kit.
- Horizontal run not to exceed vertical rise.



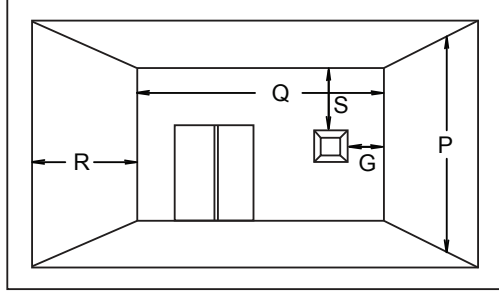
#### 2.2.2 corner termination



2.3 vent terminal clearances



Covered balcony applications ††\*



$Q_{MIN} = 3 \text{ feet}$ (0.9m)	$R_{MAX} = 2 \times Q_{ACTUAL}$	$R_{MAX} \leq 15 \text{ feet}$ (4.6m)
--------------------------------------	---------------------------------	--

**note:**  
Wall terminals are for illustration purposes only. Size and shapes may vary.

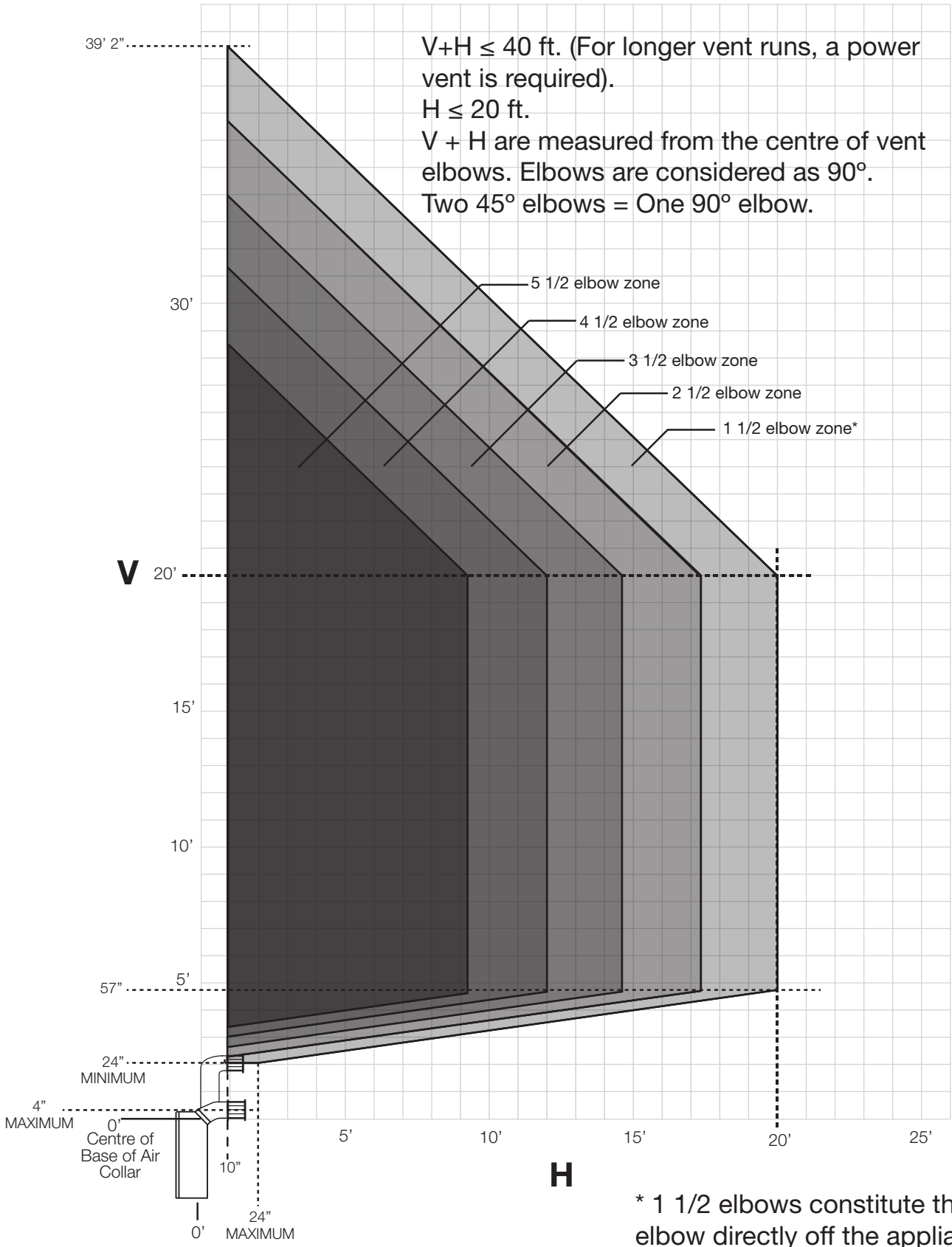
	INSTALLATIONS		
	CANADA	U.S.A.	
<b>A</b>	12" (30.5cm)	12" (30.5cm)	Clearance above grade, veranda porch, deck or balcony.
<b>B</b>	12" (30.5cm) <sup>Δ</sup>	9" (229mm) <sup>Δ</sup>	Clearance to windows or doors that open.
<b>C</b>	12" (30.5cm)*	12" (30.5cm)*	Clearance to permanently closed windows.
<b>D</b>	18" (45.7cm)**	18" (45.7cm)**	Vertical clearance to ventilated soffits located above the terminal within a horizontal distance of 2' (0.6m) from the center line of the terminal.
<b>E</b>	12" (30.5cm)**	12" (30.5cm)**	Clearance to unventilated soffit.
<b>F</b>	0" (0mm)	0" (0mm)	Clearance to an outside corner wall.
<b>G</b>	0" (0mm)***	0" (0mm)***	Clearance to an inside <b>non-combustible</b> corner wall or protruding <b>non-combustible</b> obstructions (chimney, etc.).
	2" (51mm)***	2" (51mm)***	Clearance to an inside <b>combustible</b> corner wall or protruding <b>combustible</b> obstructions (vent chase, etc.).
<b>H</b>	3' (0.9m)	3' (0.9m)****	Clearance to each side of the center line extended above the meter / regulator assembly to a maximum vertical distance of 15' (4.6m).
<b>I</b>	3' (0.9m)	3' (0.9m)****	Clearance to a service regulator vent outlet.
<b>J</b>	12" (30.5cm)	9" (229mm)	Clearance to a non-mechanical air supply inlet to the building or a combustion air inlet to any other appliance.
<b>K</b>	6' (1.8m)	3' (0.9m) †	Clearance to a mechanical air supply inlet.
<b>L</b>	7' (2.1m) ‡	7' (2.1m) ****	Clearance above a paved sidewalk or paved driveway located on public property.
<b>M</b>	12" (30.5cm)††	12" (30.5cm)****	Clearance under a veranda, porch or deck.
<b>N</b>	16" (40.6cm)	16" (40.6cm)	Clearance above the roof.
<b>O</b>	2' (0.6m)†*	2' (0.6m) †*	Clearance from an adjacent wall including neighbouring buildings.
<b>P</b>	8' (2.4m)	8' (2.4m)	Roof must be <b>non-combustible</b> without openings.
<b>Q</b>	3' (0.9m)	3' (0.9m)	See chart for wider wall dimensions.
<b>R</b>	6' (1.8m)	6' (1.8m)	See chart for deeper wall dimensions. The terminal shall not be installed on any wall that has an opening between the terminal and the open side of the structure.
<b>S</b>	12" (30.5cm)	12" (30.5cm)	Clearance under a covered balcony

- Δ The terminal shall not be located less than 6 feet under a window that opens on a horizontal plane in a structure with three walls and a roof.
- \* Recommended to prevent condensation on windows and thermal breakage
- \*\* It is recommended to use a heat shield and to maximize the distance to vinyl clad soffits.
- \*\*\* The periscope requires a minimum 18 inches clearance from an inside corner.
- \*\*\*\* This is a recommended distance. For additional requirements, check local codes.
- † 3 feet above if within 10 feet horizontally.
- ‡ A vent shall not terminate where it may cause hazardous frost or ice accumulations on adjacent property surfaces.
- †† Permitted only if the veranda, porch, or deck is fully open on a minimum of two sides beneath the floor.
- †\* Recommended to prevent recirculation of exhaust products. For additional requirements, check local codes.
- ††\* Permitted only if the balcony is fully open on a minimum of one side.

**note:**  
Clearances are to be in accordance with local installation codes and the requirements of the gas supplier. In their absence, clearances are to be as listed above and are based on national codes.

# venting requirements

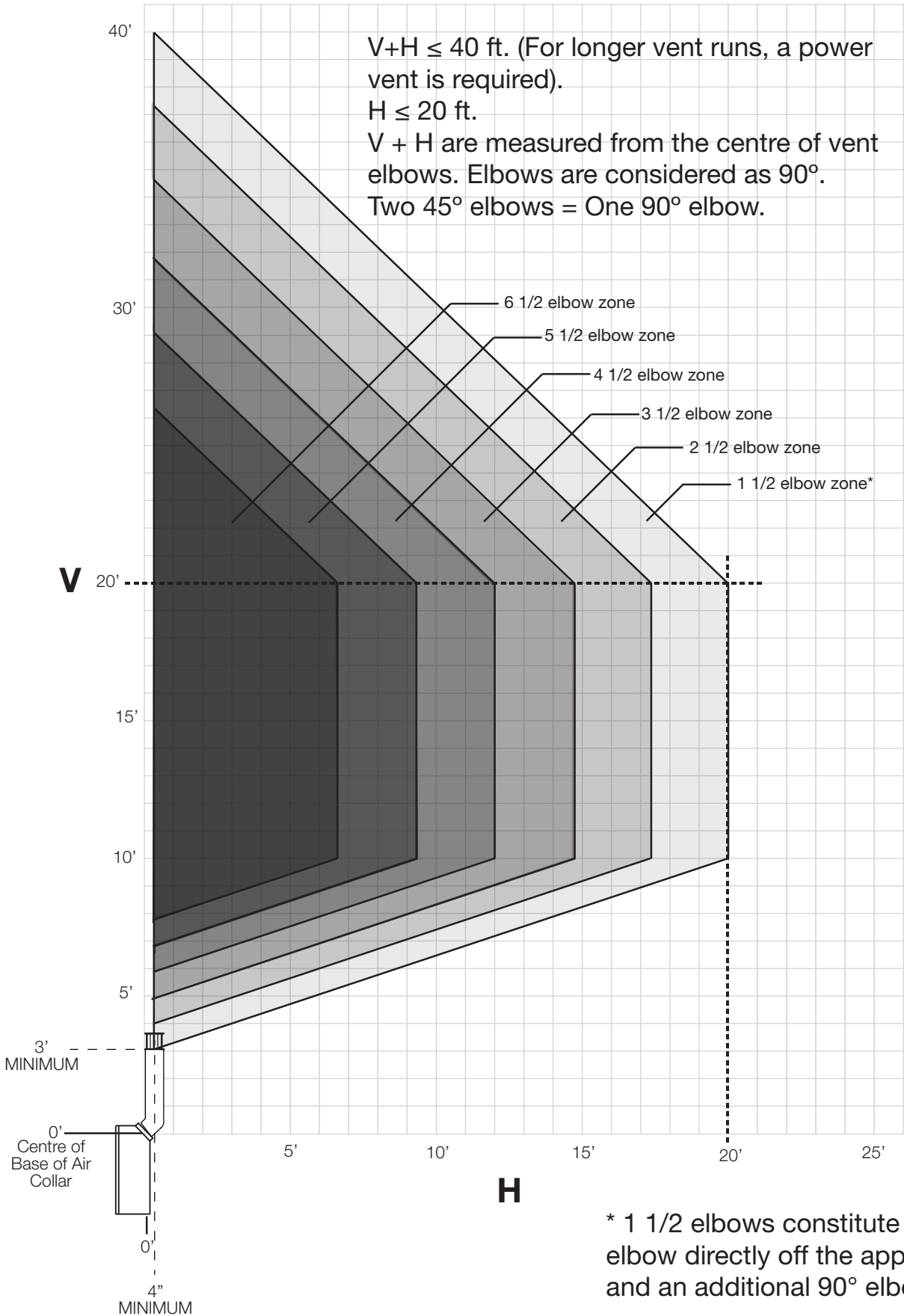
## 2.4 horizontal termination



\* 1 1/2 elbows constitute the  $45^\circ$  elbow directly off the appliance and an additional  $90^\circ$  elbow.



2.5 vertical termination



# venting requirements

## 2.6 vertical through existing chimney

### ⚠ WARNING

- Risk of fire.
- Co-axial to co-linear venting configurations must only be used in a non-combustible chimney or enclosure. Installation in a combustible enclosure could result in a fire.

This appliance is designed to be attached to a 3" (76.2mm) co-linear aluminum flex vent system running the full length of a masonry chimney.

The flex liners accommodate any contours of a masonry chimney, however, it is necessary to keep the flexible liners as straight as possible. The inlet air collar of the termination cap must be connected to the air intake flex liner and the exhaust collar must be connected to the exhaust flexible liner.

Both Simpson Duravent and Selkirk co-linear to co-axial adaptors have been approved on this appliance

#### note:

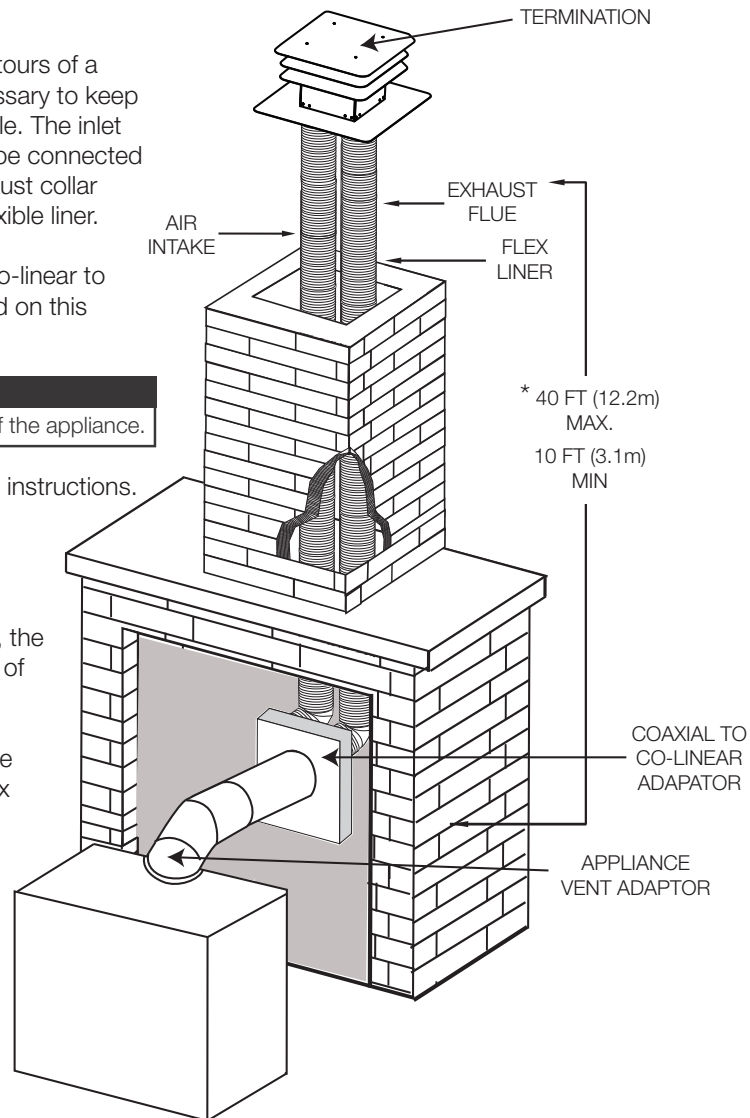
A vent adaptor will be required directly off the appliance.

Follow vent manufacturer's installation instructions.

Different manufacturer's venting components must not be combined. Once the preferred manufacturer's appliance adaptor has been attached, the remainder of the system must be that of the same manufacturer.

The only exception to this rule is to use Wolf Steel's approved 3" (76.2mm) flex liner and co-linear termination.

\* Measured from appliance flue collar to termination flue collar



 **WARNING**

- Ensure to unpack all loose materials from inside the firebox prior to connecting the gas and electrical supply
- **If your appliance is supplied with a remote, ensure the remote receiver is in the “OFF” position prior to connecting the gas and electrical supply to the appliance.**
- For safe and proper operation of the appliance, follow the venting instructions exactly.
- **The appliance exhaust flue collar must be sealed using Mill Pac.** All exhaust and intake vent pipe joints must be sealed using red RTV high temp silicone sealant (W573-0002) (not supplied) or black high temp Mill Pac (W573-0007) (not supplied).
- If using pipe clamps to connect rigid vent components, a minimum of 3 screws must also be used to ensure the connection cannot slip off.
- Do not clamp the flexible vent pipe.
- Risk of fire, explosion, or asphyxiation. Improper support of the entire venting system may allow vent to sag and separate. Use vent run supports and connect vent sections per installation instructions.
- Risk of fire, do not allow loose materials or insulation to touch the vent pipe. Remove insulation to allow for the installation of the attic shield and to maintain clearances to combustibles.
- Do not fill the space between the vent pipe and enclosure with any type of material. Do not pack insulation or combustibles between ceiling firestops. Always maintain specified clearances around venting and firestop systems. Install wall shields and firestops as specified. Failure to keep insulation or other materials away from vent pipe may cause fire.

### 3.1 horizontal installation

#### ! WARNING

- The firestop assembly must be installed with the vent shield to the top.
- Terminals must not be recessed into a wall or siding more than the depth of the return flange of the mounting plate.

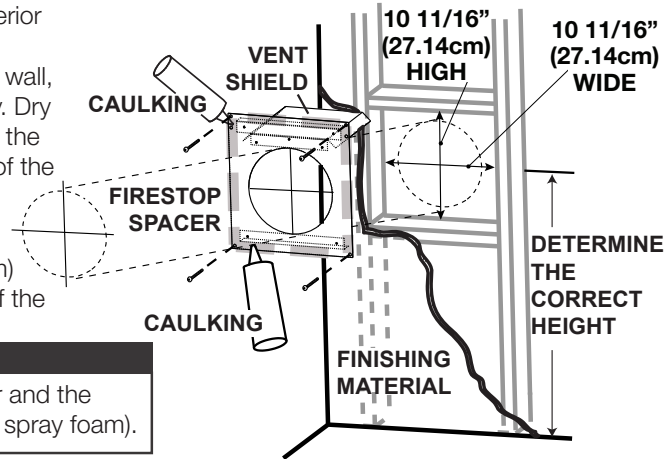
This application occurs when venting through an exterior wall. Having determined the correct height for the air terminal location, cut and frame a hole in the exterior wall, as illustrated, to accommodate the firestop assembly. Dry fit the firestop assembly before proceeding to ensure the brackets on the rear surface fit to the inside surface of the horizontal framing.

The length of the vent shield may be cut shorter for combustible walls that are less than 8 1/2" (215.9mm) thick but the vent shield must extend the full depth of the combustible wall.

#### note:

Do not fill the air space between the firestop spacer and the exterior wall with any type of insulating material (i.e. spray foam).

- Assemble the shield to the spacer as shown, using the 3 shorter screws supplied.
- Place the firestop top so that the vent shield covers the top of the vent within the opening. Ensure that both spacer and shield maintain the required clearance to combustibles.
- Secure the spacer in place using the 4 longer screws supplied. Once the vent pipe is installed in its final position, apply sealant between the pipe and the firestop spacer.



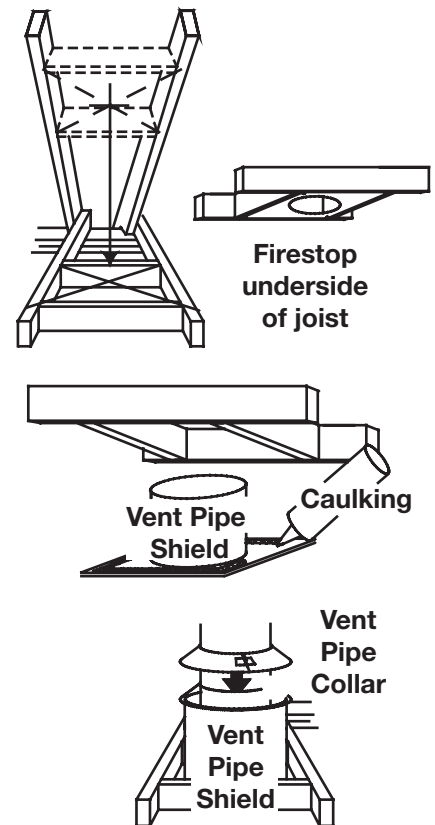
#### note:

The above is for illustration purposes only. Vents do not always pass through center of frame.

### 3.2 vertical installation

This application occurs when venting through a roof. Installation kits for various roof pitches are available from your authorized dealer / distributor. See the "accessories" section to order specific kits required.

- Determine the air terminal location, cut and frame a square opening, as illustrated, in the ceiling and the roof to provide the minimum 1" (25mm) clearance between the vent pipe and any combustible material. Try to center the vent pipe location midway between two joists to prevent having to cut them. Use a plumb bob to line up the center of the openings. A vent pipe shield will prevent any materials such as insulation, from filling up the 1" (25mm) air space around the pipe. Nail headers between the joist for extra support.
- Apply a bead of caulking (not supplied) to the framework or to the Wolf Steel vent pipe shield plate or equivalent (in the case of a finished ceiling), and secure over the opening in the ceiling. A firestop must be placed on the bottom of each framed opening in a roof or ceiling that the venting system passes through. Apply a bead of caulking all around and place a firestop spacer over the vent shield to restrict cold air from being drawn into the room or around the fireplace. Ensure that both spacer and shield maintain the required clearance to combustibles. Once the vent pipe is installed in its final position, apply Mill Pac sealant (W573-0007) (not supplied) or red RTV silicone (W573-0002) (not supplied) between the pipe and the firestop assembly.
- In the attic, slide the vent pipe collar down to cover up the open end of the shield and tighten. This will prevent any materials, such as insulation, from filling up the 1" (25mm) air space around the pipe.

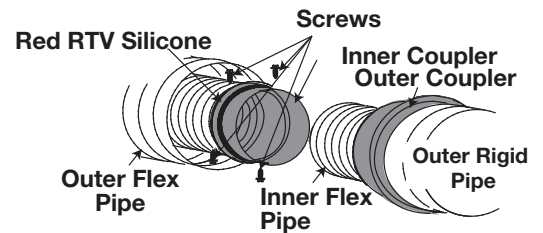
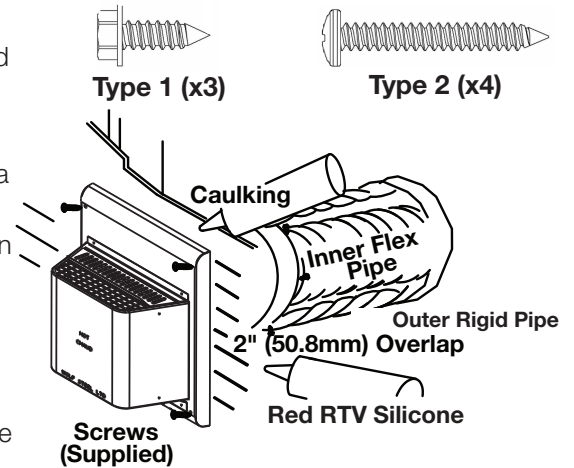


### 3.3 horizontal air terminal installation

#### **! WARNING**

- Terminals must not be recessed into a wall or siding more than the depth of the return flange of the mounting plate.
- Do not allow the inner flex pipe to bunch up on horizontal or vertical runs and elbows. Keep it pulled tight.

- Stretch the inner flex pipe to the required length taking into account the additional length needed for the finished wall surface. Apply a heavy bead of the red RTV silicone (W573-0002) (not supplied) to the inner sleeve of the air terminal. Slip the vent pipe a minimum of 2" (50.8mm) over the inner sleeve of the air terminal and secure with a minimum of 3 screws.
- Using the outer flex pipe, slide over the outer combustion air sleeve of the air terminal and secure with a minimum of 3 screws. Seal using red RTV silicone (W573-0002) (not supplied).
- Insert the vent pipes through the firestop maintaining the required clearance to combustibles. Holding the air terminal (lettering in an upright, readable position), secure to the exterior wall and make weather tight by sealing with caulking (not supplied).
- If more vent pipe needs to be used to reach the fireplace, couple them together, as illustrated. The vent system must be supported approximately every 3 feet (0.9m) for both vertical and horizontal runs. Use non-combustible strapping to maintain the minimum clearance to combustibles.
- Stove Appliances Only:** From inside the house, using Red RTV Silicone (W573-0002) (not supplied), seal between the vent pipe and the firestop. Then slide the black trim collar over the vent pipe up to the firestop.

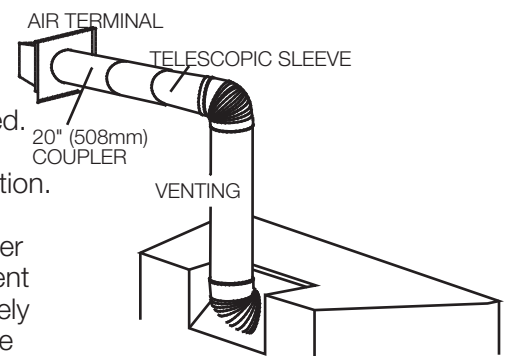


**The air terminal mounting plate may be recessed into the exterior wall or siding no greater than the depth of its return flange.**

### 3.4 extended horizontal and corner air terminal installation

**FOR REAR VENT ONLY:** A 45° corner installation can have 0" (0mm) rise between the appliance combustion air collar and the air terminal. In this case, vent lengths must be kept to a maximum of 24" (61cm). For longer vent lengths, a minimum vertical rise of 24" (61cm) is required.

- Follow the instructions for "horizontal air terminal installation" section.
- Continue adding components alternating inner rigid pipe and outer rigid pipe. Ensure that all inner rigid pipe and elbows have sufficient vent spacers attached and each component is sealed and securely fastened to the one prior. Attach the inner telescopic sleeve to the vent run. Repeat using the outer telescopic sleeve. Seal and secure as before. To facilitate completion, attach inner and outer couplers to the air terminal.
- Install the air terminal. See "horizontal air terminal installation" section. Extend the outer telescopic sleeve; connect to the air terminal assembly. Fasten with self tapping screws and seal.



## 3.5 vertical air terminal Installation

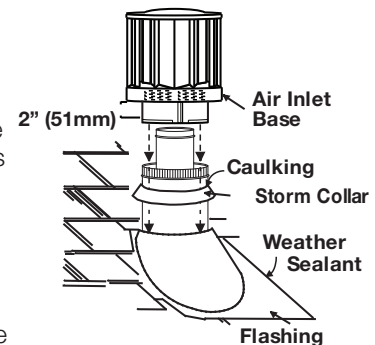
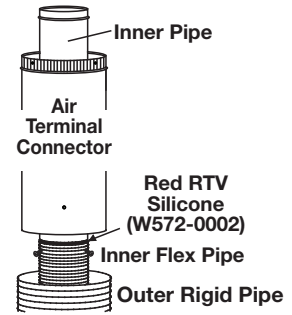
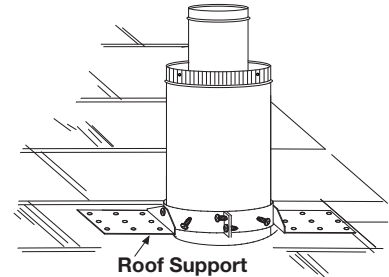
**! WARNING**

- Maintain a minimum 2" (51mm) space between the air inlet base and the storm collar.

**note:**

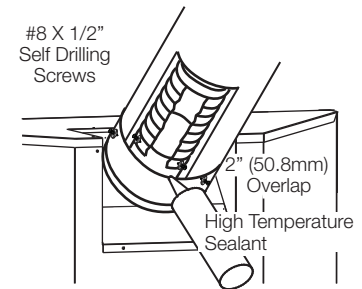
Fastening hardware provided with appropriate roof terminal and liner kits.

- Fasten the roof support to the roof using 6 screws. The roof support is optional. In this case, the venting is to be adequately supported using either an alternate method suitable to the authority having jurisdiction or the optional roof support.
- Stretch the inner flex pipe to the required length. Slip the inner flex pipe a minimum of 2" (51mm) over the inner pipe of the air terminal connector and secure with a minimum of three screws, when 4/7, 5/8 and 3/5 venting is used and a minimum of six screws when using 8/10 or 8/11 venting. Seal using a heavy bead of red RTV silicone (W573-0002) (not supplied).
- Repeat using the outer flex pipe, using a heavy bead of red RTV silicone (W573-0002) (not supplied) and a minimum of three screws, when 4/7, 5/8 and 3/5 venting is used and a minimum of six screws when using 8/10 or 8/11 venting.
- Thread the air terminal connector / vent pipe assembly down through the roof. The air terminal must be positioned vertically and plumb. Attach the air terminal connector to the roof support, ensuring that the top of the air terminal is 16" (40.6cm) above the highest point that it penetrates the roof.
- Remove nails from the shingles, above and to the sides of the air terminal connector. Place the flashing over the air terminal connector leaving a min. 3/4" (19mm) of the air terminal connector showing above the top of the flashing. Slide the flashing underneath the sides and upper edge of the shingles. Ensure that the air terminal connector is properly centered within the flashing, giving a 3/4" (19mm) margin all around. Fasten to the roof. Do not nail through the lower portion of the flashing. Make weather-tight by sealing with caulking. Where possible, cover the sides and top edges of the flashing with roofing material.
- Aligning the seams of the terminal and air terminal connector, place the terminal over the air terminal connector making sure the vent pipe goes into the hole in the terminal. Secure with a minimum of three screws, when 4/7, 5/8 and 3/5 venting is used and a minimum of six screws when using 8/10 or 8/11 venting.
- Apply a heavy bead of weatherproof caulking 2" (51mm) above the flashing. Install the storm collar around the air terminal and slide down to the caulking. Tighten to ensure that a weather-tight seal between the air terminal and the collar is achieved.
- If more vent pipe needs to be used to reach the appliance, see "**horizontal air terminal installation**" section.



### 3.6 appliance vent connection

- A. Attach the adjustable pipe to the last section of rigid pipe. Secure with screws and seal.
- B. Install the inner flex pipe to the appliance. Secure with a minimum of three screws and flat washers when installing 3”/5”, 4”/7” or 5”/8” venting, or six screws and flat washers when installing 8”/10” or 8”/11” venting. Seal the joint and screw holes using Mill Pac sealant (W573-0007) (not supplied).
- C. Run a bead of high temperature red RTV silicone (W573-0002) (not supplied) around the inside of the air intake collar. Pull the adjustable pipe a minimum 2” (50.8mm) into the air intake collar.



**note:**

Always finish vent system installation with the appliance vent connection. Ensure that the sealant is not visible on the exterior pipes once installation is completed. An optional decorative black band may be available with this appliance. In the event that the venting must be disassembled, care must be taken to reseal the venting.

### 3.7 gas installation

**! WARNING**

- Risk of fire, explosion, or asphyxiation. Ensure there are no ignition sources such as sparks or open flames.
- Support gas control when attaching gas supply pipe to prevent damaging gas line.
- Always light the pilot whether for the first time or if the gas supply has run out with the glass door opened or removed. Purging of the gas supply line should be performed by a qualified service technician. Ensure that a continuous gas flow is at the burner before closing the door. Ensure adequate ventilation. For gas and electrical locations, see “dimensions” section.
- All gas connections must be contained within the appliance when complete (**gas fireplaces only**).
- High pressure will damage valve. Disconnect gas supply piping before testing gas line at test pressures above 1/2 PSIG.
- Valve settings have been factory set, do not change.

**Installation and servicing to be done by a qualified installer.**

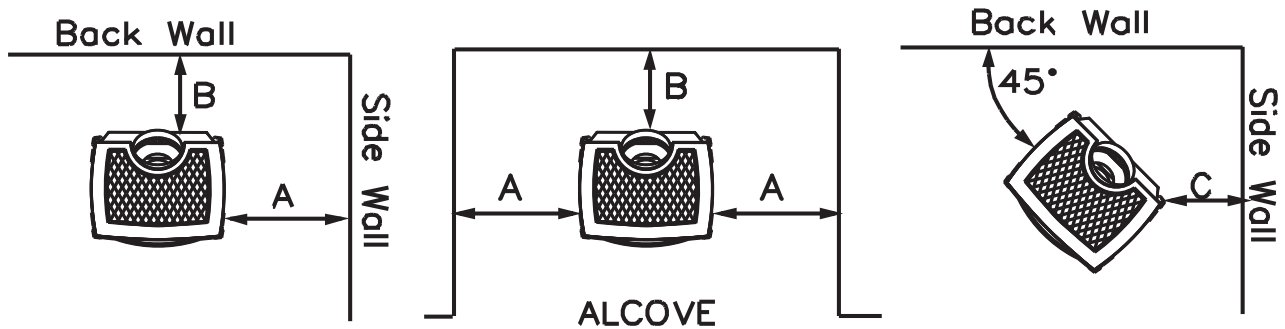
- Move the appliance into position and secure.
- If equipped with a flex connector, the appliance is designed to accept a 1/2” (13mm) gas supply. Without the connector, it is designed to accept a 3/8” (9.5mm) gas supply. The appliance is equipped with a manual shut off valve to turn off the gas supply to the appliance.
- Connect the gas supply in accordance to local codes. In the absence of local codes, install to the current CAN/CSA-B149.1 Installation Code in Canada or to the current National Fuel Gas Code, ANSI Z223.1 / NFPA 54 in the United States.
- When flexing any gas line, support the gas valve so that the lines are not bent or kinked.
- The gas line flex-connector should be installed to provide sufficient movement for shifting the burner assembly on its side to aid with servicing components.
- Check for gas leaks by brushing on a soap and water solution. **Do not use open flame.**

## 3.8 minimum clearance to combustibles

**! WARNING**

- Minimum clearance to combustibles must be maintained or a serious fire hazard could result.
- Framing or finishing materials closer than the minimums listed must be constructed entirely of non-combustible materials (i.e. steel studs, cement board, etc.).
- Never obstruct the front opening of the appliance.

As long as clearance to combustibles is kept within the required distances, the most desirable and beneficial location for a Napoleon® appliance is in the centre of a building, thereby allowing the most efficient use of the heat created. The location of windows, doors and the traffic flow in the room where the appliance is to be located should be considered. If possible, you should choose a location where the vent will pass through the house without cutting a floor or roof joist.



**A.** 4" (102mm)    **B.** 2" (51mm)\*    **C.** 2" (51mm)

To ceiling from appliance top                      48" (1219mm)

**Horizontal vent:**

Sides and bottom                                      1" (25mm)  
Top    2" (51mm)

**Vertical vent:**

All sides    1" (25mm)

\*At a distance of 2" (51mm) from the wall, installation or service to the blower may not be practical. A minimum of 5" (127mm) will be required in order to install the blower.

If less than 5" (127mm) clearance is maintained between the back of the appliance and the back wall, it will be necessary to disconnect the venting and gas pipe to move the appliance out for installation or service of the blower.

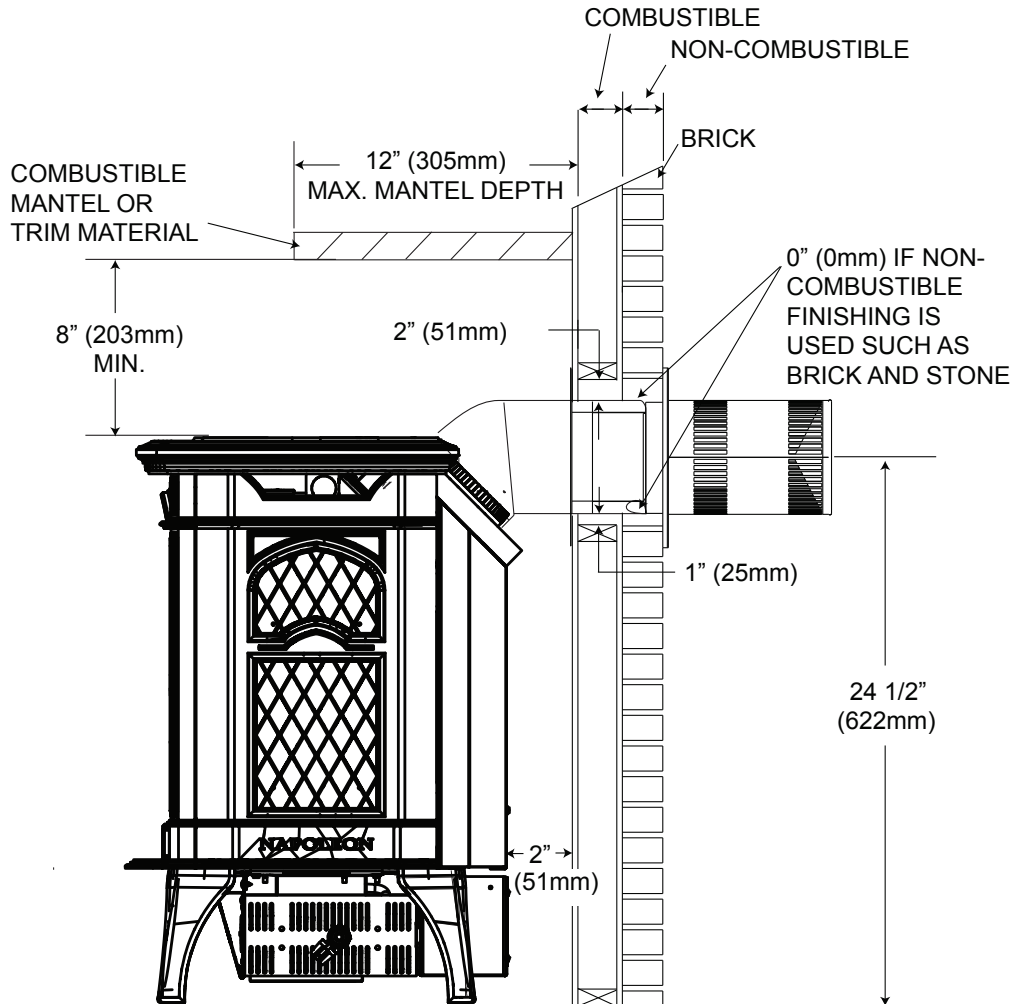


3.9 minimum mantel or shelf clearances

**! WARNING**

- Risk of fire!
- Maintain all specified air space clearances to combustibles.
- Failure to comply with these instructions may cause a fire or cause the appliance to overheat.
- Ensure all clearances (i.e. back, side, top, vent, hearth, mantel, front, etc.) are clearly maintained.

When the appliance is rear vented, a mantel or shelf may be installed above the GDS25-1 at a minimum distance of 8" (203mm).



## 4.0 finishing

### ! WARNING

- Risk of fire!
- Never obstruct the front opening of the appliance.
- Do not strike, slam, or scratch. Do not operate appliance with glass removed, cracked, or scratched.

### 4.1 cast front installation and removal

### ! WARNING

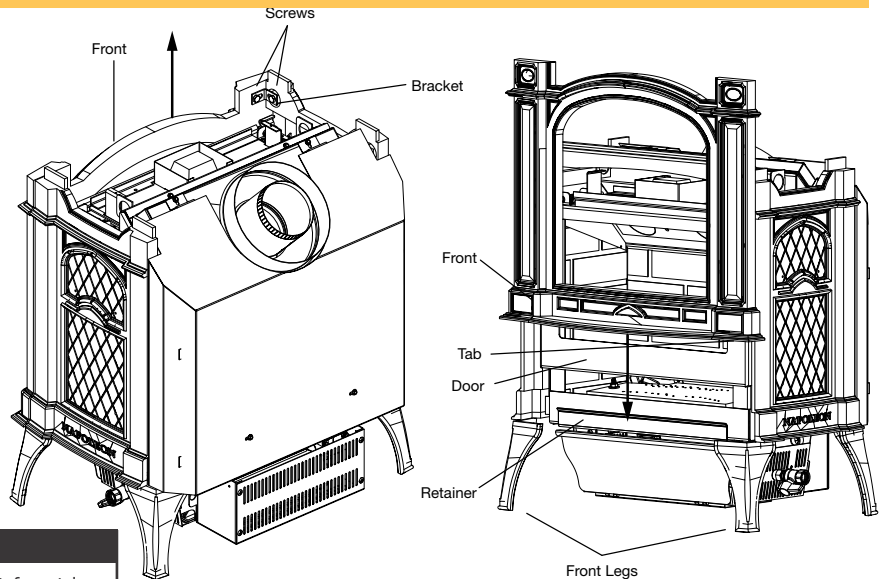
- Glass may be hot.
- Do not touch glass until cooled.

- Remove safety barrier.
- Lift the top cast piece off of the appliance.
- Detach the front cast piece from the side pieces by removing the screws from the brackets located in the upper inside corners.
- Slide the front straight up to remove.

Follow the above steps in reverse in order to reinstall the cast front. Ensure that the tabs on the underside of the front fit behind the front legs.

#### note:

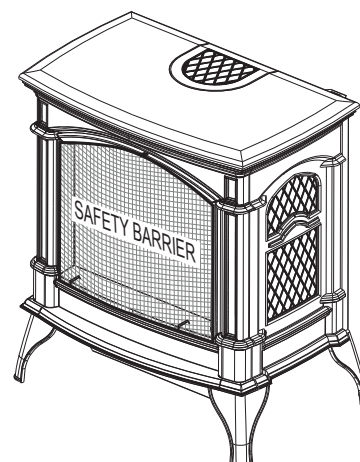
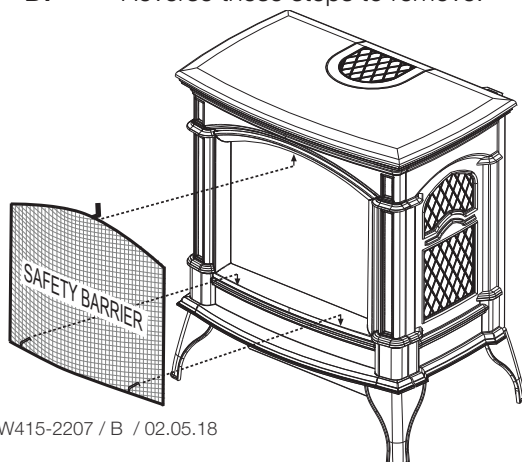
It is not necessary to remove the cast front in order to remove the door.



### 4.2 safety barrier installation and removal

**A barrier designed to reduce the risk of burns from the hot viewing glass is provided with the appliance and shall be installed.**

- Lift the top casting up and remove the safety barrier. Remove and discard plastic.
- Tilt the top of the safety barrier and hook under the top casting, make sure to hold the safety barrier.
- Slightly lift the bottom of the safety barrier and push onto the appliance. Careful not to scratch the bottom casting.
- Reverse these steps to remove.



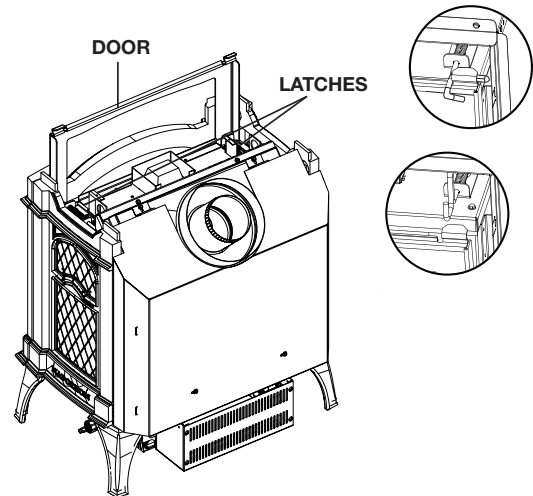
## 4.3 glass door installation and removal

### ! WARNING

- Do not substitute materials.

- Remove safety barrier.
- Lift the top cast piece off of the appliance.
- Pull handle and rotate 90°.
- Slide the door straight up to remove.

Follow the above steps in reverse in order to reinstall the door. Ensure that the bottom of the door engages the door retainer before closing the latches.



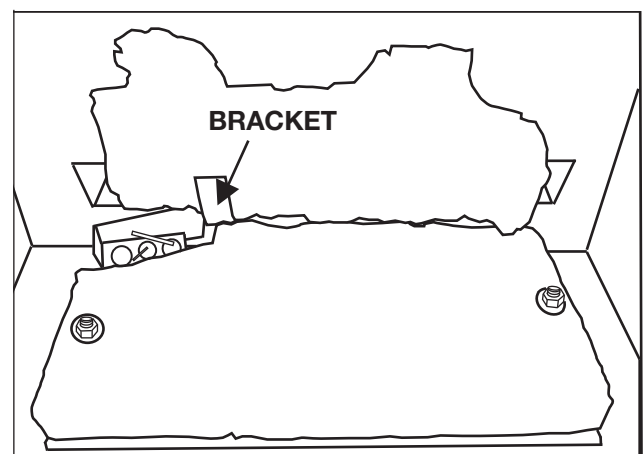
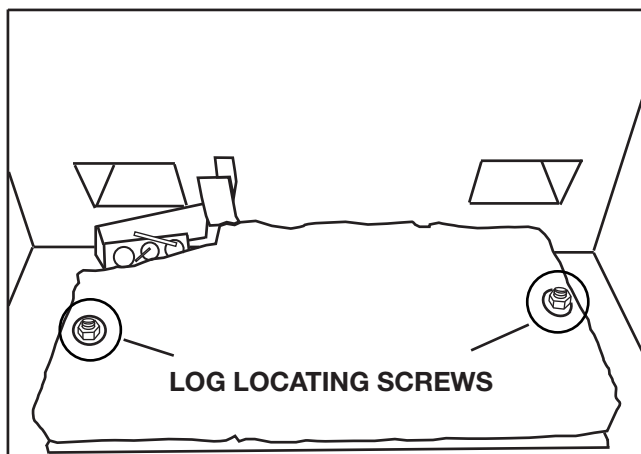
## 4.4 log placement

### ! WARNING

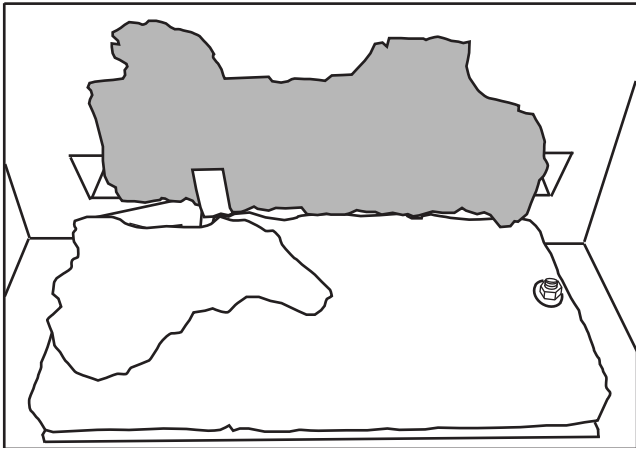
- Logs must be placed in the exact location in appliance. Do not change from the proper log positions, as appliance may not function properly.
- The logs are fragile and should be handled with care.

It is not necessary to remove the cast front, however, this will make for a more simple log installation.

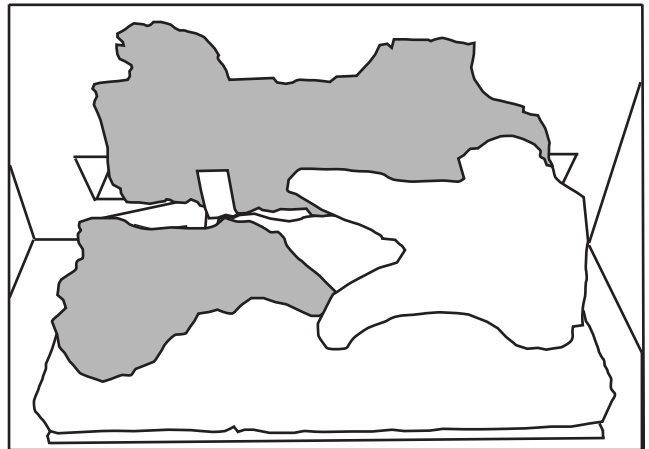
In order to assemble the log set, the glass door must be removed, see “cast front / glass door installation and removal” section.



- Place the rear log, as shown, onto the rear log support brackets. Ensure the cutout on the left underside of the log, fits over the pilot assembly. Bend the bracket on the left side to help retain the rear log.



**B.** Place the hole in the underside of log #2 onto the locating screw, on the left side of the burner. The fibre burner is formed to cradle the centre of the log.

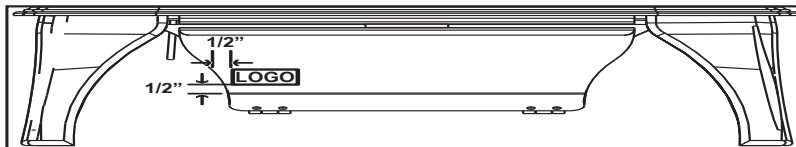


**C.** Place the hole in the underside of log #3 onto the locating screw, on the right side of the burner. The bottom branch of log #3 sits in front of, and against, the right end of log #2.

**D.** Reinstall the glass door & front.

#### 4.5 logo placement

Remove the backing from the logo and position onto the control door as shown.



### WARNING

- Ensure the appliance is completely cool before starting installation.
- To avoid danger of suffocation, keep the packaging bag away from babies and children. Do not use in cribs, beds, carriages, or play pens. This bag is not a toy. Knot before throwing away.

- A. Disconnect power supply from the appliance.
- B. Open the control door located at the bottom front of the appliance (FIG. 1).
- C. Remove the 2 screws holding the left control box cover (FIG. 2).
- D. Slide the control box cover forward and remove from the appliance (FIG. 3 and 4).

FIG. 1

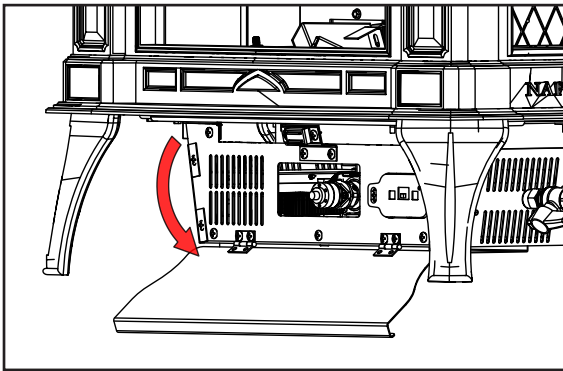


FIG. 2

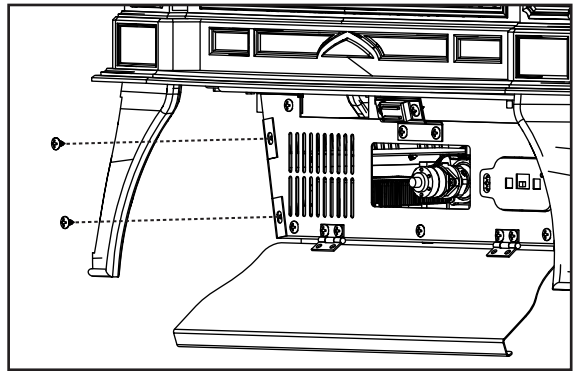


FIG. 3

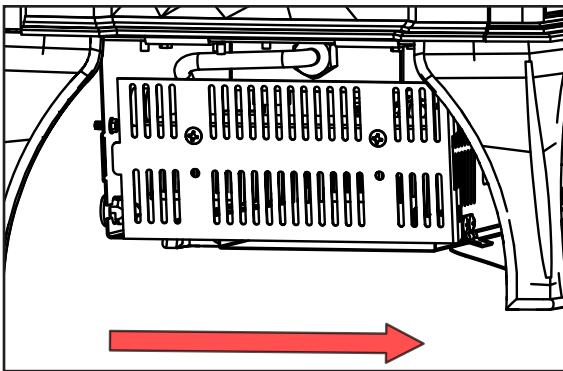
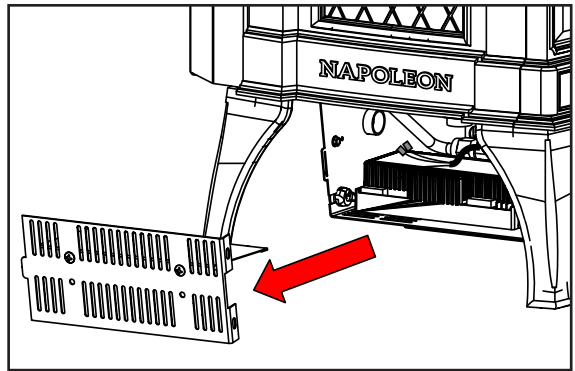


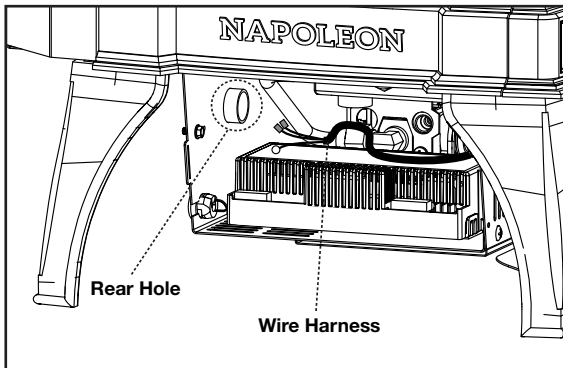
FIG. 4



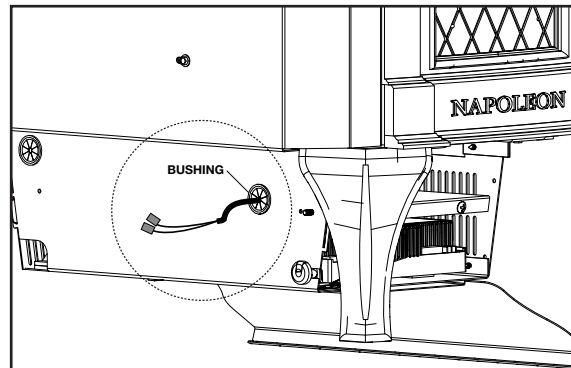
## optional blower installation

- E. Access blower wire leads. Remove 2 insulation connectors from blower wire leads.
- F. Route the blower wire through the rear hole of the housing (FIG. 5 and 6).
- G. Snap bushing over blower wire and press into rear hole of housing.
- H. Place blower housing close to the rear of the appliance. Route wire through hole in blower housing and connect the spade connectors to blower (FIG. 7).
- I. Align the blower to the rear side of the control box and fasten it with 2 screws included with the kit (FIG. 8).
- J. Re-install control box side cover to the control box using the 2 screws previously removed in Step C.
- K. Close the control door (FIG. 9).
- L. Reconnect power supply to the appliance.

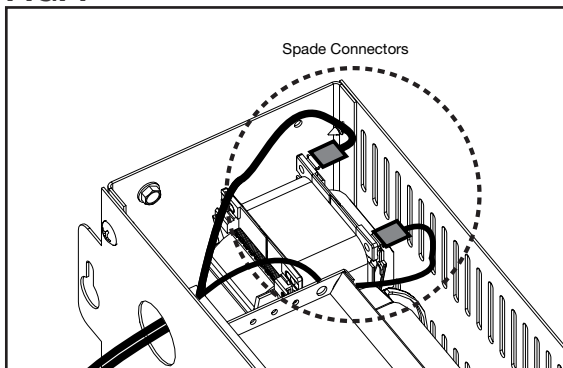
**FIG. 5**



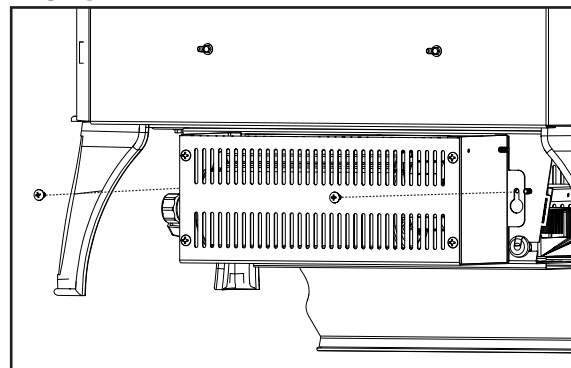
**FIG. 6**



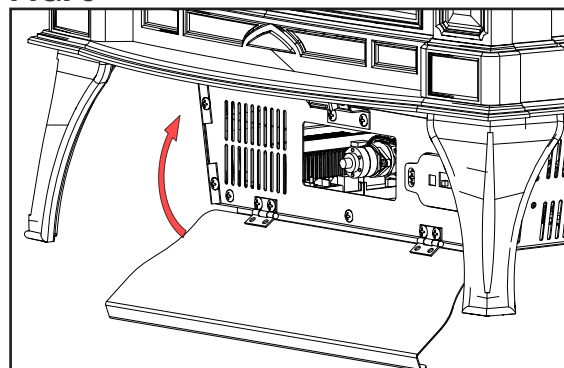
**FIG. 7**



**FIG. 8**



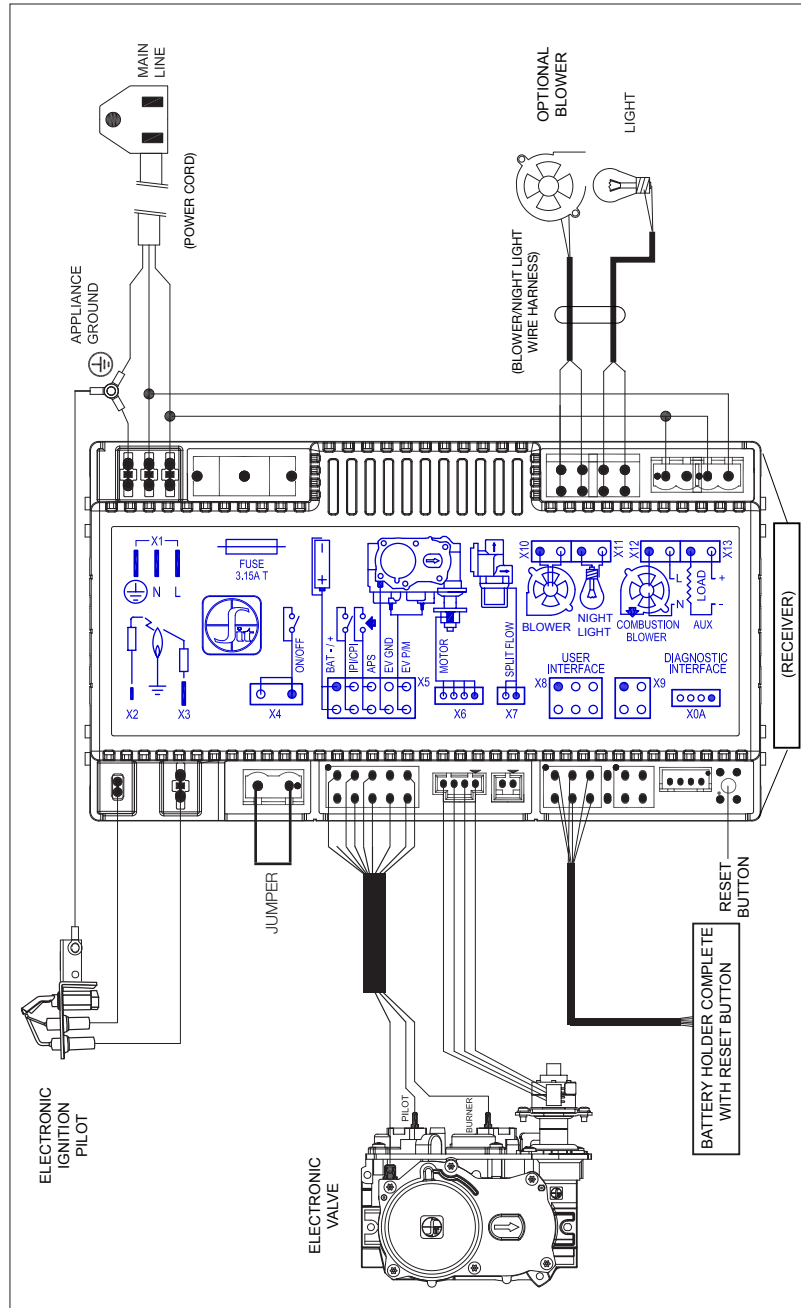
**FIG. 9**



## **! WARNING**

- Do not wire 110 volts to the valve or wall switch.

This appliance must be electrically connected and grounded in accordance with local codes. In the absence of local codes, use the current CSA C22.1 Canadian electrical code in Canada or the ANSI/NFPA national electrical code in the United States.



**note:**

Jumper is only present when appliance is equipped and operated with remote control.

**note:**

This appliance is equipped with a three-prong (grounding) plug for protection against shock hazard and should be connected into a properly grounded circuit. Do not cut or remove the grounding prong from the plug.

## 7.0 operation

### **! WARNING**

- If you do not follow these instructions exactly, a fire or explosion may result causing property damage, personal injury, or loss of life.
- If applicable, always light the pilot whether for the first time or if the gas supply has run out with the glass door opened or removed.

Ensure that a continuous gas flow is at the burner before installing the door. When lit for the first time, the appliance will emit an odor for a few hours. This is a normal temporary condition caused by the “burn-in” of paints and lubricants used in the manufacturing process and will not occur again. After extended periods of non-operation, such as, following a vacation or warm weather season, the appliance may emit a slight odor for a few hours. This is caused by dust particules in the heat exchanger burning off. In both cases, open a window to sufficiently ventilate the room.

#### **FOR YOUR SAFETY READ BEFORE LIGHTING**

- Do not turn on if children or other at risk individuals are near the appliance.
- This appliance is equipped with an ignition device which automatically lights the pilot. Do not try to light the pilot by hand.
- Before operating, smell all around the appliance area for gas and next to the floor because some gas is heavier than air and will settle on the floor.
- Do not use this appliance if any part has been under water. Immediately call a qualified service technician to inspect the appliance and replace any part of the control system and any gas control which has been underwater.

#### **WHAT TO DO IF YOU SMELL GAS**

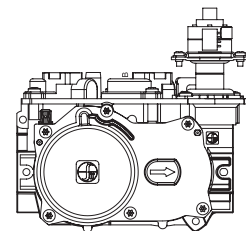
- Turn off all gas to the appliance.
- Open windows.
- Do not try to light any appliance.
- Do not touch any electric switch; do not use any phone in your building
- Immediately call your gas supplier from a neighbour's phone. Follow the gas supplier's instructions.
- If you cannot reach your gas supplier, call the fire department.

#### **LIGHTING INSTRUCTIONS**

##### **note:**

This appliance is equipped with an ignition device which automatically lights the pilot. Do not try to light the pilot by hand.

- Stop! Read the above safety information on this label.
- Remove batteries from the transmitter and set thermostat to lowest setting, if equipped.
- Turn off all electrical power to the appliance.
- Open the glass door, if equipped.
- Turn the manual shut-off valve clockwise to the “OFF” position. (Shut-off valve is located on the flex connector).
- Wait five (5) minutes to clear out any gas. If you smell gas including near the floor, **STOP!** Follow the instructions above in the “WHAT TO DO IF YOU SMELL GAS” section. If you don't smell gas; close the glass door and go to the next step.
- Turn the manual shut-off valve counter clockwise to the “ON” position.
- Turn on all electrical power to the appliance and re-install the batteries into the transmitter. Set thermostat to desired setting, if equipped.
- Turn on the remote wall switch to the appliance.
- If the appliance will not operate, follow instructions “TO TURN OFF GAS” and call your service technician or gas supplier.

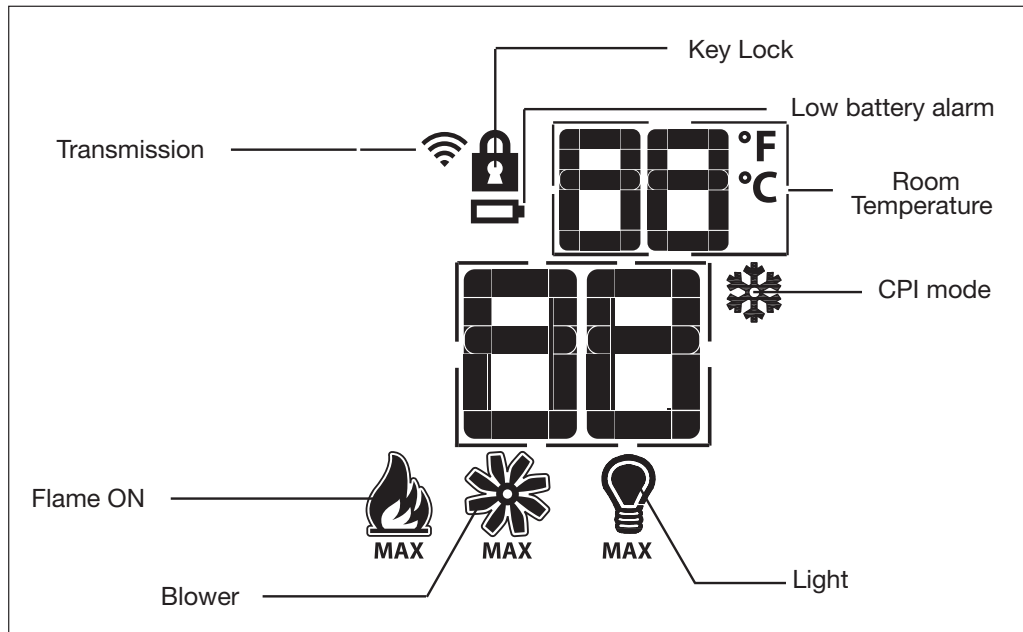


#### **TO TURN OFF GAS**

- Set thermostat to lowest setting, if equipped.
- Turn off the remote wall switch to the appliance.
- Turn off all electric power to the appliance if service is to be performed.
- Turn manual shutoff valve clockwise to the “OFF” position. Do not force.



## 7.1 general transmitter layout



**note:**

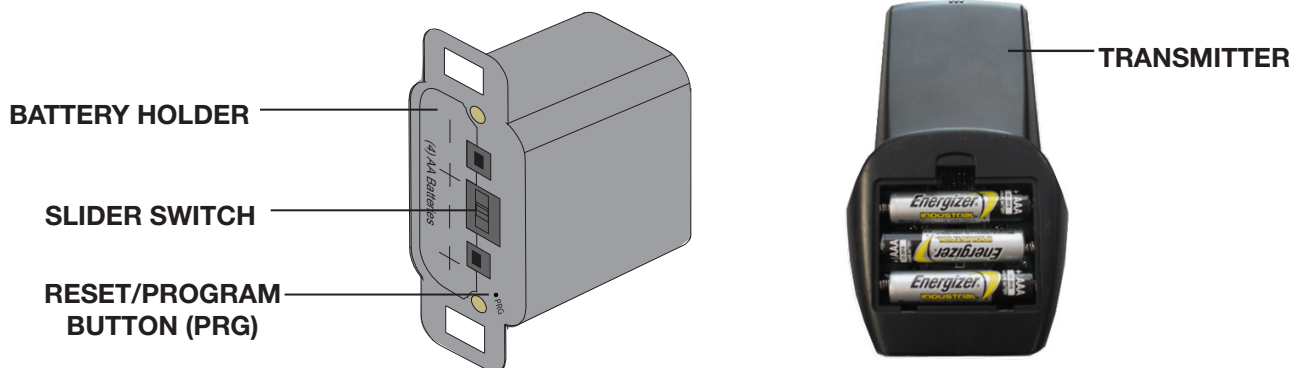
Transmitter is optional with this model.

## 7.2 initializing the transmitter / battery holder for the first time

- A. Install the 4 AA batteries into the Proflame 2 battery holder, note the polarity of the batteries and insert as indicated on the cover (+/-).
- B. Ensure the 3 position slider switch is switched to the "REMOTE" position (middle position).
- C. Press the reset/programming button, use a small object such as a paper clip in order to reach the button marked PRG, as shown in the illustration below.
- D. The battery holder will beep 3 times to indicate that it's ready to synchronize with the transmitter.
- E. Install the 3 AAA batteries into the transmitter, as shown in the photograph below, then press the ON button, The battery holder will beep 4 times to indicate that the transmitter's command is accepted.

**note:**

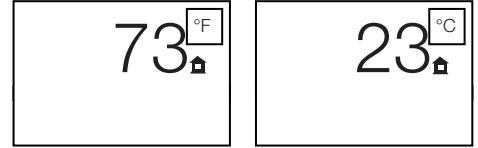
The initializing process must be completed within 10 seconds of pressing the reset / program button (PRG).



# operation

## 7.3 temperature display

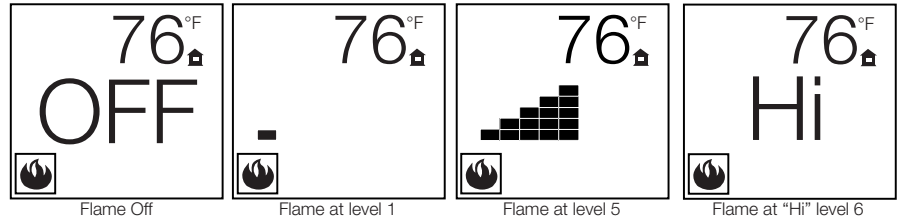
- With the system in the **off** position, press the Temperature Key and the **mode key** at the same time to change from degrees F to C.
- Look at the LCD screen on the transmitter to verify that a C or F is visible to the right of the Room Temperature display.



## 7.4 flame height

The remote control has six (6) flame levels. With the system on and the flame level at the maximum, press the **Down** arrow key once and it will reduce the flame height by one step until the flame is turned off.

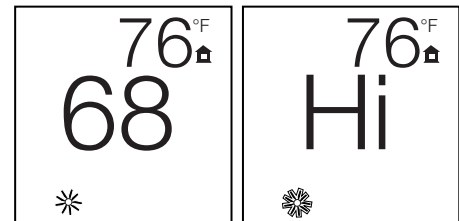
The Up Arrow Key will increase the flame height each time it is pressed. If the **Up** arrow key is pressed while the system is on but the flame is off, the flame will come on at the high position. A single “beep” will confirm reception of the command.



## 7.5 blower speed

If the appliance is equipped with a hot air circulating fan, the speed of the fan can be controlled by the remote system. The fan speed can be adjusted through six (6) speeds.

- Use the **mode key** to guide you to the fan control icon.
- Use the **mode key** to turn **on/off** or adjust the fan speed. A single “beep” will confirm reception of the command.



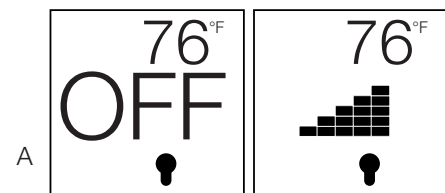
### note:

When the desired blower speed is selected, the blower will automatically come on 5 minutes after the main burner has been turned on and remain on twelve minutes after it has been turned off.

## 7.6 night light dimmer control

The auxiliary function controls the Night Light™ with dimmable control.

- Use the Mode Key to guide you to the Night Light icon.
- The intensity of the output can be adjusted through 6 levels. Use the UP/DOWN arrow keys to adjust the output level. single beep will confirm reception of the command.

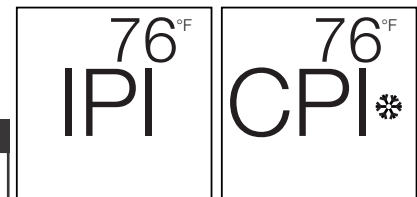


## 7.7 continuous pilot / intermittent pilot (CPI / IPI) selection

- When the transmitter is in the “OFF” position, use the Mode Key to guide you to the CPI mode icon.
- Press the UP/DOWN to switch between IPI and CPI modes. A single BEEP will confirm reception of the command.

### note:

If the appliance is equipped with a CPI/IPI toggle switch, set the CPI/IPI to CPI position to enable remote CPI operation. If the switch is set to IPI then it will only work in IPI regardless of what is set on the remote control handset.



## 7.8 key lock

This function will lock the keys to avoid unsupervised operation.

- A. Press the MODE and UP keys at the same time.
- B. To de-activate this function, press the MODE and UP keys at the same time.



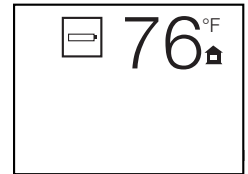
## 7.9 low battery / manual bypass

The life span of the remote batteries depends on various factors: quality of the batteries, the number of ignitions, etc.

When the transmitter batteries are low, a Battery Icon will appear on the LCD display before all battery power is lost. When the batteries are replaced this icon will disappear.

When the receiver batteries are low, no “beep” will be emitted from the receiver when it receives an ON/OFF command. This is an alert for the receiver that there’s low battery. When the batteries are replaced the “beep” will be emitted from the receiver when the ON/OFF key is pressed.

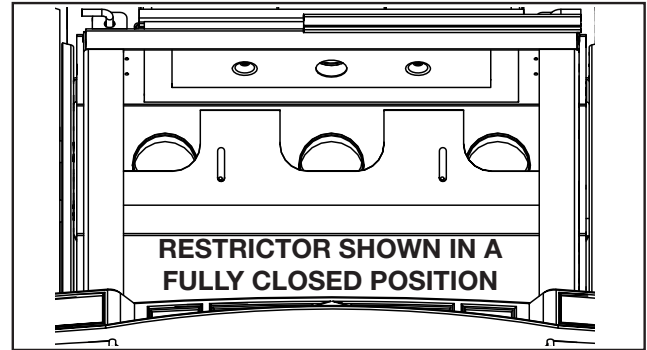
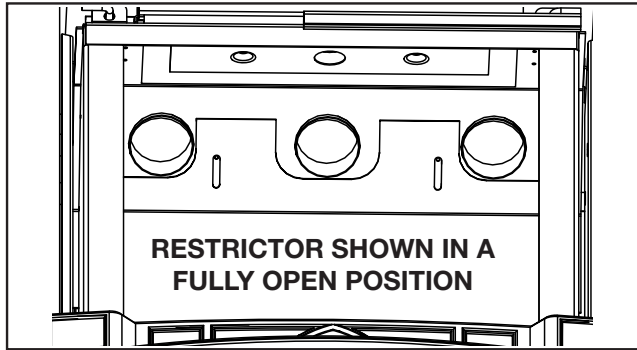
If the batteries of the receiver or transmitter are low, the appliance can be turned on manually by sliding the three position slider switch on the receiver to the “ON” position. This will bypass the remote control feature and the appliance main burner will come on if the gas valve is in the “ON” position.



## 8.0 adjustment

### 8.1 restricting vertical vents

Vertical installations may display a very active flame. Loosen the two screws and slide the restrictor plate blocking the exhaust path. This reduces the velocity of the exhaust gases, slowing down the flame pattern and creating a more traditional flame appearance. For vertical vents greater than 15 ft (5m), this restrictor must be fully closed.



### 8.2 venturi adjustment

This appliance has an air shutter that has been factory set open according to the chart below:

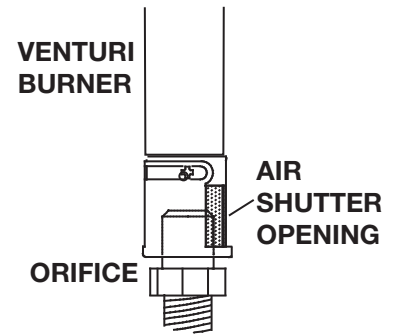
Regardless of venturi orientation, closing the air shutter will cause a more yellow flame, but can lead to carbonization. Opening the air shutter will cause a more blue flame, but can cause flame lifting from the burner ports. The flame may not appear yellow immediately; allow 15 to 30 minutes for the final flame colour to be established.

**AIR SHUTTER ADJUSTMENT MUST ONLY BE DONE BY A QUALIFIED INSTALLER!**

**note:**

It is important that the orifice is securely inserted into the venturi.

Remove the 2 screws securing the burner. Air shutters have been factory set open according to the Venturi Adjustment Chart. These settings are for (maximum) horizontal termination. Adjustment may be required depending on fuel type, vent configuration and altitude. After making adjustments replace the burner ensuring that the venturi tube fits over the orifice and replace the screws.



#### VENTURI ADJUSTMENT CHART

FUEL	GDS25-1
NG	5/16" (8mm)
P	7/16" (11mm)

### 8.3 pilot burner adjustment

Adjust the pilot screw to provide properly sized flame. Turn in a clockwise direction to reduce the gas flow.

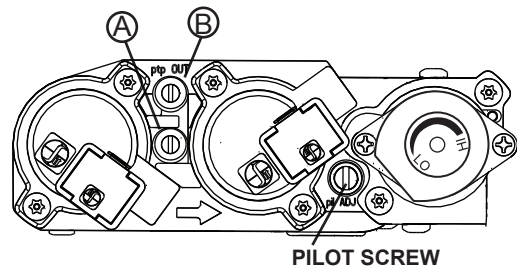
#### Check Pressure Readings:

Inlet pressure can be checked by turning screw (A) counter-clockwise 2 or 3 turns and then placing pressure gauge tubing over the test point. Gauge should read as described on the chart below. Check pressure with main burner operating on "HI".

Outlet pressure can be checked the same as above using screw (B). Gauge should read as described on the chart below. Check pressure with main burner operating on "HI".

**After taking pressure readings, be sure to turn screws clockwise firmly to reseal. Do not overtorque.**

Leak test with a soap and water solution.



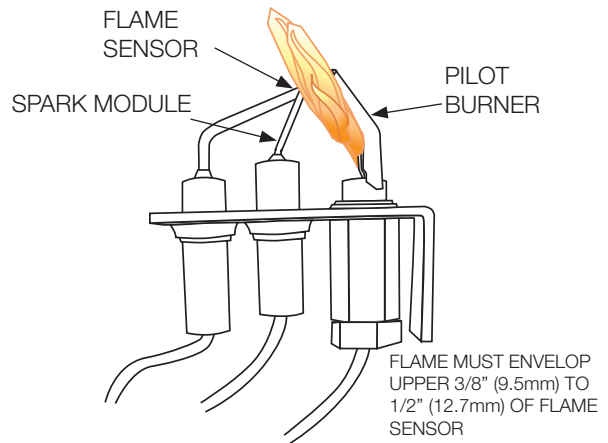
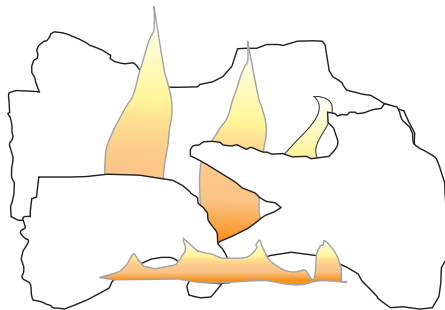
Prior to pilot adjustment, ensure that the pilot assembly has not been painted. If overspray or painting of the pilot assembly has occurred remove the paint from the pilot assembly, or replace. Fine emery cloth or a synthetic scrub pad (such as Scotch-Brite™) can be used to remove the paint from the pilot hood, electrode and flame sensor.

Pressure	Natural Gas (inches)	Natural Gas (millibars)	Propane (inches)	Propane (millibars)
Inlet	*7" (minimum 4.5")	17.4mb (minimum 11.2mb)	13" (minimum 11")	32.4mb (minimum 27.4mb)
Outlet	3.5"	8.7mb	10"	24.9mb

**\*Maximum inlet pressure not to exceed 13"**

### 8.4 flame characteristics

It's important to periodically perform a visual check of the pilot and burner flames. Compare them to the illustration provided. If any flames appear abnormal, call a service person.



### **WARNING**

- Turn off the gas and electrical power before servicing the appliance.
- Appliance may be hot. Do not service until appliance has cooled.
- Do not use abrasive cleaners on glass.
- Do not paint the pilot assembly.

This appliance and its venting system should be inspected before use and at least annually by a qualified service person. The following suggested checks should be performed by a qualified technician. The appliance area must be kept clear and free of combustible materials, gasoline, or other flammable vapors and liquids. The flow of combustion and ventilation air must not be obstructed.

#### **note:**

Caution: Label all wires prior to disconnection when servicing controls. Wiring errors can cause improper and dangerous operation. Verify proper operation after servicing.

1. In order to properly clean the burner and pilot assembly, remove the logs, rocks and/or glass to expose both assemblies.
2. Keep the control compartment, media, burner, air shutter opening and the area surrounding the appliance clean by vacuuming or brushing, at least once a year.
3. Check to see that all burner ports are burning. Clean out any of the ports which may not be burning or are not burning properly.
4. Check to see that the pilot flame is large enough to engulf the flame sensor and/or thermocouple / thermopile as well as it reaches the burner.
5. If your appliance is equipped with a safety barrier, cleaning may be necessary due to excessive lint / dust from carpeting, pets, etc. simply vacuum using the brush attachment.
6. If your appliance is equipped with relief doors, ensure the system performs effectively. Check that the gasket is not worn or damaged. Replace if necessary.
7. Replace the cleaned logs, rocks or glass. Failure to properly position the media may cause carboning which can be distributed in the surrounding living area, inside the firebox and on exterior surfaces surrounding vent termination.
8. Check to see that the main burner ignites completely on all ports when turned on. A 5 to 10 second total light-up period is satisfactory. If ignition takes longer, consult your local authorized dealer / distributor.
9. Visually inspect the appliance for carbon build up. Using a small whisk or brush, brush off the carbon and vacuum up or sweep into garbage.
10. **This step is not applicable for Vent Free appliances:** Check to see that the appliance is venting correctly. Ensure chimney system is safe and unobstructed. (If for any reason the vent air intake system is disassembled, re-install and re-seal per the instructions provided for the initial installation).



## 9.1 annual maintenance

### WARNING

- Annual maintenance should be performed by a qualified service technician
- The firebox becomes very hot during operation. Let the appliance cool completely or wear heat resistant gloves before conducting service.
- Never vacuum hot embers.
- Do not paint the pilot assembly

- This appliance will require maintenance which should be planned on an annual basis.
- Service should include cleaning, battery replacement, venting inspection and inspection of the burner, media, and firebox. Refer to the door removal section and remove the door as instructed.
- Carefully remove media if necessary (logs, glass, brick panels, etc.).
- Using a vacuum with soft brush attachment, gently remove any dirt, debris, or carbon build up from the logs, firebox, and burner. For glass media, follow the installation instructions for pre-cleaning.
- Gently remove any build-up on the pilot assembly including thermopile, thermocouple, flame sensor, and igniter (if equipped).

#### **note:**

Clean flame sensor using a fine emery cloth or a synthetic scrub pad (such as Scotch-Brite™) to remove any oxides. Clean the pilot assembly using a vacuum with a soft brush attachment. It is important that the pilot assembly is not painted.

- Inspect all accessible gaskets and replace as required.
- If equipped with a blower, access the blower and clean using a soft brush and vacuum.
- Re-assemble the various components in reverse order.
- Inspect the relief system. The appliance relieves through the main glass door or through the flaps on the firebox top. Ensure they open freely, and close sealed.
- Check the gas control valve pilot and Hi / Lo knobs move freely, if equipped. Replace if any stiffness in movement is experienced.
- Check for gas leaks on all gas connections up and downstream from the gas valve including pilot tube connections.

## 9.2 night light replacement

This appliance comes equipped with our “Night Light”. If in the event the lamp or lens needs to be replaced, follow these instructions. Disconnect the two wire leads at the wire nut. Remove the four screws securing the accent light assembly from the relief door. Disassemble the light and the lamp now can be accessed

### note:

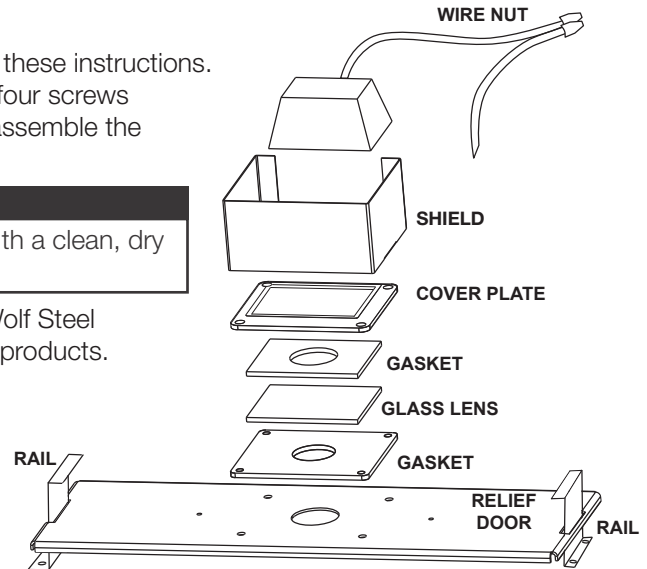
Do not handle the lamp (bulb) with bare fingers. Protect with a clean, dry cloth.

The lamp will pull straight out of the socket. Replace with Wolf Steel parts only, as lamp and lens are special “high temperature” products. When re-installing, ensure integrity of gasket seal.

### THE FIREBOX MUST BE SEALED.

When re-assembling the light assembly, care must be taken with all gaskets.

“Light Leakage” from above the cast doors may be noticed. The holes in the lamp housing are necessary for ventilation and must not be covered.



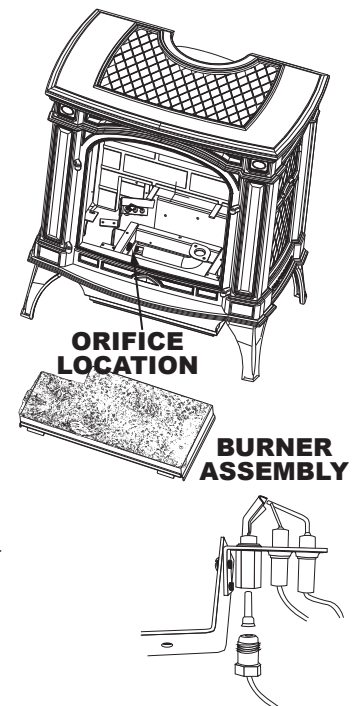
## 9.3 pilot injector and orifice replacement

### ! WARNING

- Always light the pilot whether for the first time or if the gas supply has run out with the glass door open or removed.

This must be carried out by an AUTHORIZED REPRESENTATIVE OF WOLF STEEL LTD. or a QUALIFIED GAS INSTALLER in accordance with local codes or in the absence of local codes with the requirements of the provincial / state authorities having jurisdiction and in accordance with the requirements of the CAN1-B149 Installation Code in Canada and the ANSI Z223.1 National Fuel Gas Code in the United States.

- Turn off the electrical and gas supply to the appliance.
- Remove the cast front, glass viewing door and log set.
- Remove the 2 securing screws. Slide the burner assembly to the right and lift out.
- Using a deep socket wrench, remove the main burner orifice. A back-up wrench must be used on the manifold, located below the housing to ensure that the aluminum tubing does not twist or kink. Replace the correct burner orifice using pipe thread compound.
- Loosen nut and replace with appropriate injector
- Reinstall the burner ensuring that the Venturi tube fits over the orifice.
- Turn on the gas supply and check for gas leaks by brushing on a soap and water solution. **Do not use open flame.**
- Replace the log set. Then light the pilot and main burner to ensure that the gas lines have been purged.
- Replace the glass viewing door and cast front. Turn on the electrical supply to the appliance.





## 9.4 care of glass

### WARNING

- Do not clean glass when hot! Do not use abrasive cleaners to clean glass.

Buff lightly with a clean dry soft cloth to remove accumulated dust or fingerprints. Clean both sides of the glass after the first 10 hours of operation with an ammonia-free glass cleaner.

#### **note:**

Vinegar-based glass cleaners have demonstrated an ability to provide a clean, streak free glass surface.

Thereafter, clean as required. If the glass is not kept clean permanent discoloration and / or blemishes may result. Contact you local authorized dealer / distributor for complete cleaning instructions.

Razor blades, steel wool, or other metallic objects must not be used on both surfaces of the glass. Doing so can remove a thin layer of metal from the razor blades, steel wool, or other metallic objects that may then be deposited onto the coating. This can result in a discoloured stain or scratch-like mark. More importantly, this can scratch the glass surface, thereby reducing its strength.

Do not operate the appliance with broken glass, as leakage of flue gases may result.

Contact your local authorized dealer / distributor for complete cleaning instructions.

If the glass should ever crack or break while the fire is burning, do not open the door until the fire is out. Do not operate the appliance until the glass has been replaced. Contact you local authorized dealer / distributor for replacement parts. **DO NOT SUBSTITUTE MATERIALS.**

This appliance is factory equipped with 5mm ceramic glass. Use only replacement parts as supplied by the appliance manufacturer. **DO NOT SUBSTITUTE MATERIALS.**

## 9.5 care of plated parts

If the appliance is equipped with plated parts, you must clean fingerprints or other marks from the plated surfaces before operating the appliance for the first time. Use an ammonia-free or vinegar-based cleaner and a towel to clean. If not cleaned properly before operating for the first time, the marks can cause permanent blemishes on the plating. After the plating is cured, the fingerprints and oils will not affect the finish and little maintenance is required, just wipe clean as needed. Prolonged high temperature burning with the door ajar may cause discoloration on plated parts.

#### **note:**

The protective wrap on plated parts is best removed when the assembly is at room temperature but this can be improved if the assembly is warmed (i.e. using a hair dryer or similar heat source).

## 10.0 replacements

### **WARNING**

- Failure to position the parts in accordance with this manual or failure to use only parts specifically approved with this appliance may result in property damage or personal injury.

Contact your dealer for questions concerning prices and policies on replacement parts. Normally, all parts can be ordered through your Authorized dealer / distributor.

**For warranty replacement parts, a photocopy of the original invoice will be required to honour the claim.**

When ordering replacement parts always give the following information:

- Model & Serial Number of appliance
- Installation date of appliance
- Part number
- Description of part
- Finish

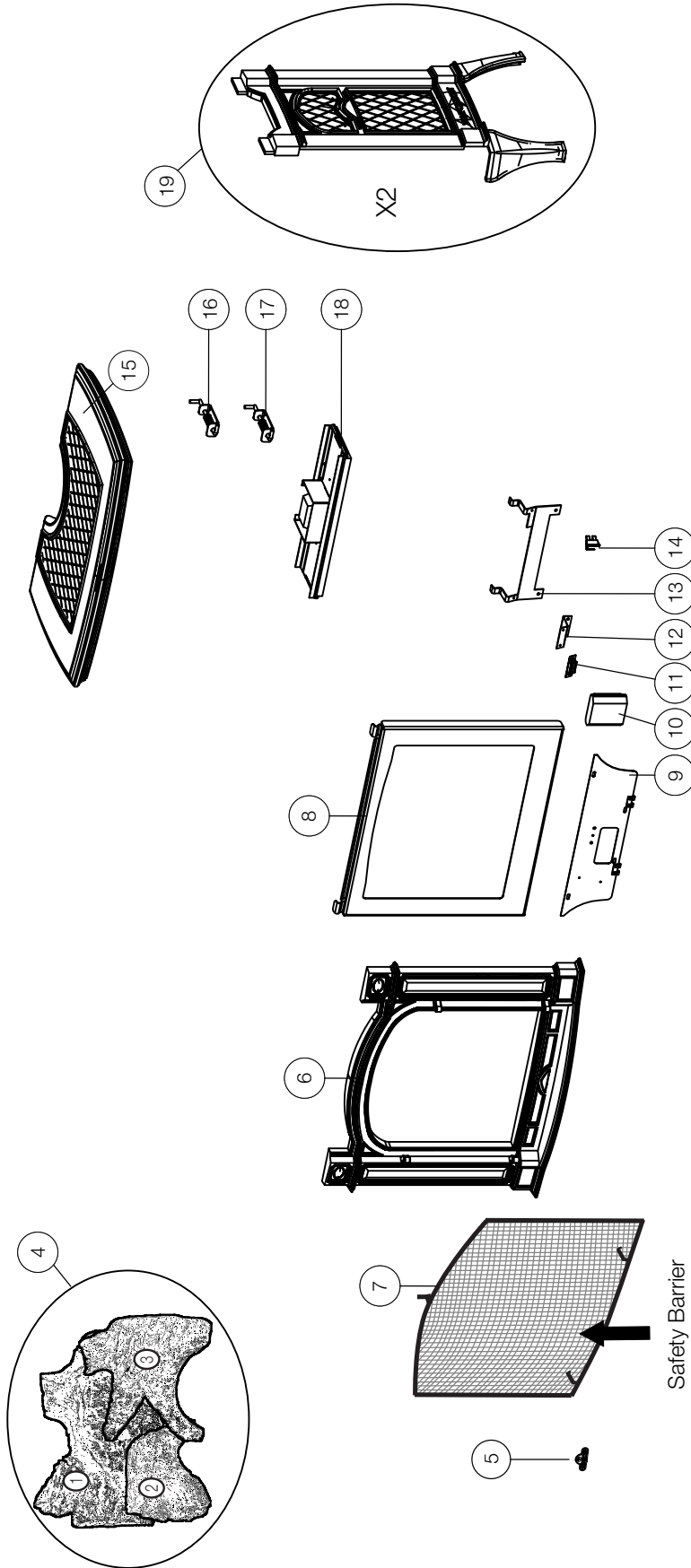
**Parts, part numbers, and availability are subject to change without notice.**

**Parts identified as stocked will be delivered within 2 to 5 business days for most delivery destinations.**

**Parts not identified as stocked will be delivered within a 2 to 4 week period, for most cases.**

**Parts identified as 'SO' are special order and can take up to 90 days for delivery**

10.1 overview

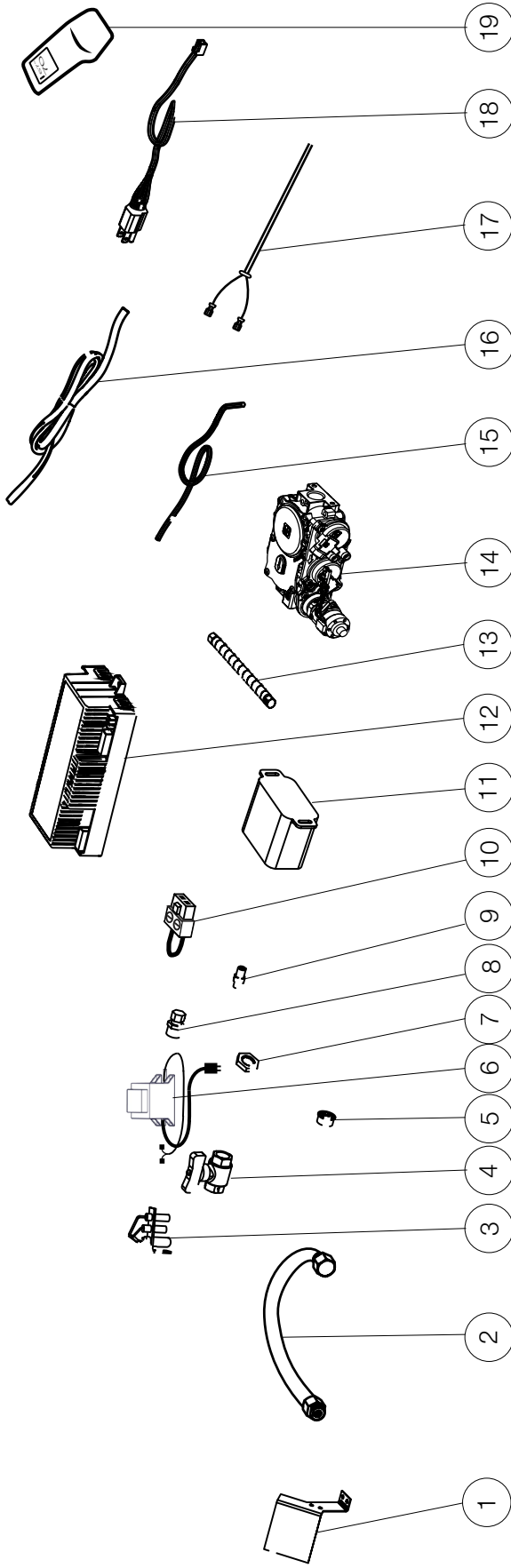


Items may not appear exactly as illustrated.

Ref. No.	Part No.	Description	Stocked
1	W135-0254	Rear log (GL-651)	Yes
2	W135-0249	Left log (GL-651)	Yes
3	W135-0250	Right log (GL-651)	Yes
4	GL-651	Log set	
5	W385-2010	Napoleon logo	Yes
6	W135-0580	Front casting	Yes
7	W010-3295	Safety barrier	
8	W010-1379	Door assembly	Yes
9	W010-4177	Control cover assembly	
10	W350-0655	Battery housing	Yes

Ref. No.	Part No.	Description	Stocked
11	W430-0013	Door catch magnet assembly	
12	W080-1786	Magnet bracket	
13	W655-0239	Rear log support	Yes
14	W660-0009	On/off switch	Yes
15	W135-0257	Top casting	Yes
16	W010-3685	Right door latch	
17	W010-3686	Left door latch	
18	W010-2020	Light assembly	
19	W135-0232	Side casting (X2)	Yes

### 10.2 valve train assembly

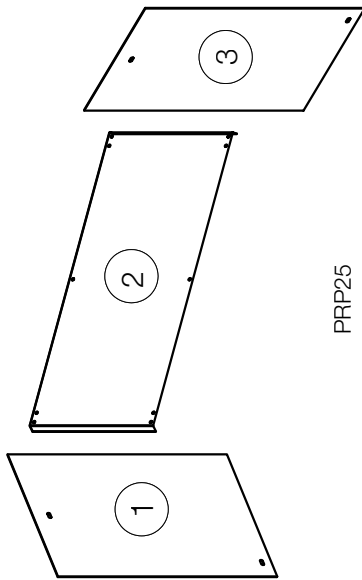


Items may not appear exactly as illustrated.

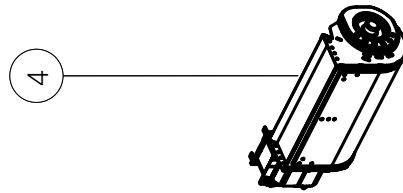
Ref. No.	Part No.	Description	Stocked
1	W080-1299	Pilot bracket	
2	W432-0078	3/8" manifold	Yes
3	W010-3968	Pilot assembly (NG)	Yes
4	W010-3969	Pilot assembly (P)	Yes
4	W725-0046	Gas valve shut-off	
5	W105-0001	7/8" bushing	
6	W707-0019	Transformer	Yes
7	W450-0036	Pal nut	Yes
8	W445-0038	3/8" connector	Yes
9	W456-0043	Burner orifice #43 (NG) (low altitude)	Yes
9	W456-0054	Burner orifice #54 (P) (low altitude)	Yes
9	W456-0044	Burner orifice #44 (NG) (high altitude)	Yes
9	W456-0055	Burner orifice #55 (P) (high altitude)	Yes

Ref. No.	Part No.	Description	Stocked
10	W175-0355	Female x4 on/off jumper	Yes
11	W350-0655	Battery housing	Yes
12	W190-0105	Control board	Yes
13	W175-0227	Flex connector	Yes
14	W725-0056	Valve (NG)	Yes
15	W725-0057	Valve (P)	Yes
15	W750-0276	Pro 2 wire harness	Yes
16	W750-0268	Battery housing wire harness	Yes
17	W750-0412	Blower/light wire harness	
18	W750-0411	Power cord	
19	W660-0126-SER	Pro 2 transmitter	Yes

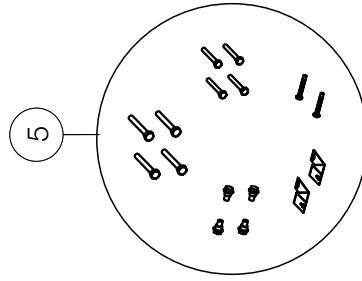
# 11.0 accessories



PRP25

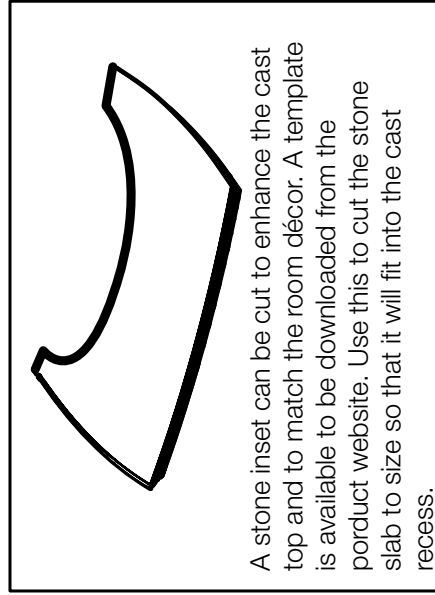


4



5

GDSL-  
-KT



A stone inset can be cut to enhance the cast top and to match the room décor. A template is available to be downloaded from the product website. Use this to cut the stone slab to size so that it will fit into the cast recess.

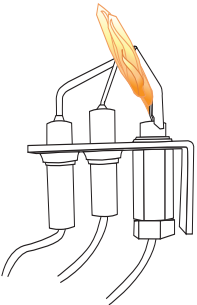
Items may not appear exactly as illustrated.

Ref. No.	Part No.	Description	Stocked
1	W090-0135	(LS) Porcelain panel (PRP25)	
2	W090-0133	Rear porcelain panel (PRP25)	
3	W090-0134	(RS) Porcelain panel (PRP25)	
4	GSB25KT	Blower kit	
5	GDSL-KT	Leg leveling / stove securing kit	

## 12.0 troubleshooting

### WARNING

- Always light the pilot whether for the first time or if the gas supply has run out, with the glass door open or removed.
- Turn off gas and electrical power before servicing the appliance.
- Appliance may be hot. Do not service until appliance has cooled.
- Do not use abrasive cleaners

symptom	problem	test solution															
Main burner flame is a blue, lazy, transparent flame. (This is not applicable in outdoor appliances)	Blockage in vent.  Incorrect installation.	- Remove blockage. In really cold conditions, ice buildup may occur on the terminal and should be removed as required. (To minimize this from reoccurring, the vent lengths that pass through unheated spaces (attics, garages, crawl spaces) be wrapped with an insulated mylar sleeve).  - Refer to "venting" section to ensure correct installation.															
Flames are consistently too large or too small. Carboning occurs.	Appliance is over-fired or under-fired.	- <b>Check pressure readings:</b> Inlet pressure can be checked by turning screw (A) counter-clockwise 2 or 3 turns and then placing pressure gauge tubing over the test point. Gauge should read as described on the chart below. Check that main burner is operating on 'HI'. Outlet pressure can be checked the same as above using screw (B). Gauge should read as described on the chart below. Check that main burner is operating on 'HI'. <b>After taking pressure readings, be sure to turn screws clockwise firmly to reseal. DO NOT OVER TORQUE.</b> Leak test with a soap and water solution.															
																	
<table border="1"> <thead> <tr> <th>Pressure</th> <th>Natural Gas (inches)</th> <th>Natural Gas (millibars)</th> <th>Propane (inches)</th> <th>Propane (millibars)</th> </tr> </thead> <tbody> <tr> <td>Inlet</td> <td>*7" (minimum 4.5")</td> <td>17.4mb (minimum 11.2mb)</td> <td>13" (minimum 11")</td> <td>32.4mb (minimum 27.4mb)</td> </tr> <tr> <td>Outlet</td> <td>3.5"</td> <td>8.7mb</td> <td>10"</td> <td>24.9mb</td> </tr> </tbody> </table> <p style="text-align: center;"><b>*Maximum inlet pressure not to exceed 13"</b></p>			Pressure	Natural Gas (inches)	Natural Gas (millibars)	Propane (inches)	Propane (millibars)	Inlet	*7" (minimum 4.5")	17.4mb (minimum 11.2mb)	13" (minimum 11")	32.4mb (minimum 27.4mb)	Outlet	3.5"	8.7mb	10"	24.9mb
Pressure	Natural Gas (inches)	Natural Gas (millibars)	Propane (inches)	Propane (millibars)													
Inlet	*7" (minimum 4.5")	17.4mb (minimum 11.2mb)	13" (minimum 11")	32.4mb (minimum 27.4mb)													
Outlet	3.5"	8.7mb	10"	24.9mb													
	Air shutter improperly adjusted.	- Return air shutter to specified opening, see "venturi adjustments" section in the installation manual.															
Carbon is being deposited on glass, logs, rocks, media, or combustion chamber surfaces.	Air shutter is blocked.  Flame is impinging on the glass, logs, rocks, media or combustion chamber.	- Ensure air shutter opening is free of lint or other obstructions.  - Ensure the media is positioned correctly in the appliance. - Open air shutter to increase the primary air. - Check the input rate: check the manifold pressure and orifice size as specified by the rating plate. - Ensure door gaskets are not broken or missing and the seal is tight. - Ensure vent liners are free of holes and well sealed at all joints. - Check that minimum rise per foot (meters) has been adhered to for any horizontal venting.															
White / grey film forms.	Sulphur from fuel is being deposited on glass, logs, or combustion chamber surfaces.	- Clean the glass with a recommended gas fireplace glass cleaner. <b>DO NOT CLEAN GLASS WHEN HOT.</b> - If deposits are not cleaned off regularly, the glass may become permanently marked.															
Exhaust fumes smelled in room, headaches.	Appliance is spilling. (This is not applicable in outdoor appliances).	- Check door seal. - Check for exhaust damage. - Check that venting is installed correctly. - Room is in negative pressure; increase fresh air supply.															

symptom	problem	test solution
Pilot will not light. Makes noise with no spark at pilot burner.	Wiring: short, loose, or damaged connections (poor flame rectification).	<ul style="list-style-type: none"> <li>- Verify the thermocouple/sensor is clean and the wiring is undamaged.</li> <li>- Verify the interrupter block is not damaged or too tight. Verify connections from pilot assembly are tight; also verify the connections are not grounding out to any metal. (Remember, the flame carries the rectification current, not the gas. If flame lifts from pilot hood, the circuit is broken. A wrong orifice or too high of an inlet pressure can cause the pilot flame to lift)*. The sensor rod may need cleaning.</li> </ul>
	No signal from remote with no pilot ignition.	<ul style="list-style-type: none"> <li>- Reprogram receiver code.</li> <li>- Replace receiver.</li> </ul>
	Poor grounding.	<ul style="list-style-type: none"> <li>- Verify the valve and pilot assembly is properly grounded</li> </ul>
	Improper switch wiring.	<ul style="list-style-type: none"> <li>- Troubleshoot the system with the simplest <b>on/off</b> switch.</li> </ul>
	Dirty, painted, or damaged pilot and/or dirty sensor rod.	<ul style="list-style-type: none"> <li>- Clean sensor rod with a green Scotch-Brite™ pad to remove any contamination that may have accumulated. Verify continuity with multimeter with ohms set at the lowest range.</li> </ul>
Pilot sparks but will not light.	Gas supply.	<ul style="list-style-type: none"> <li>- Verify that the incoming gas line ball valve is "open".</li> <li>- Verify that the inlet pressure reading is within acceptable limits, inlet pressures must not exceed 14" W.C. (34.9mb).</li> </ul>
	Out of propane gas.	<ul style="list-style-type: none"> <li>- Fill the tank.</li> </ul>
	Pilot supply line may contain air.	<ul style="list-style-type: none"> <li>- Repeat ignition process several times or purge the pilot supply line.</li> </ul>
	Incorrect wiring / grounding.	<ul style="list-style-type: none"> <li>- Ensure correct polarity of wiring of thermocouple (if equipped).</li> <li>- Verify pilot assembly/valve are properly grounded.</li> </ul>
	Receiver (if equipped).	<ul style="list-style-type: none"> <li>- Reset program: hold reset button on receiver and wait for 2 beeps. Release after second beep. Press small flame button on remote within 20 seconds, you will hear an additional beep (this signals a successful reset).</li> <li>- Replace receiver.</li> </ul>
	Valve.	<ul style="list-style-type: none"> <li>- Check valve and replace if necessary (Do not to overtighten thermocouple).</li> </ul>
Burner continues to spark and pilot lights but main burner does not light.	Short or loose connection in sensor rod.	<ul style="list-style-type: none"> <li>- Verify all connections. Verify the connections from the pilot assembly are tight. Also, verify these connections are not grounding out to any metal.</li> </ul>
	Dirty, painted, or damaged pilot assembly components.	<ul style="list-style-type: none"> <li>- Clean using a green Scotch-Brite™ pad to remove any contamination that may have accumulated on the sensor rod, pilot hood, ignitor, or flame sensor. Verify continuity with multimeter with ohms set at the lowest range.</li> </ul>
Remote wall switch is in "off" position; burner comes on.	Wall switch mounted upside down.	<ul style="list-style-type: none"> <li>- Reverse.</li> </ul>
	Remote wall switch and/or wire is grounding.	<ul style="list-style-type: none"> <li>- Replace.</li> <li>- Check for ground (short); repair ground or replace wire.</li> </ul>
	Faulty wire	<ul style="list-style-type: none"> <li>- Replace.</li> </ul>
Remote and / or receiver is not functioning properly.	Remote controls lights but no spark or flame. (Remote is locked out).	<ul style="list-style-type: none"> <li>- Reset by turning power source off then on.</li> </ul> <div style="border: 1px solid black; padding: 5px; margin-top: 5px;"> <p><b>note:</b> If back up batteries are installed, they must also be removed to re-program</p> </div>
	Receiver or remote has low battery.	<ul style="list-style-type: none"> <li>- Replace batteries.</li> </ul>
	Appliance functions but does not respond to receiver / remote	<ul style="list-style-type: none"> <li>- Ensure appliance is being operated by the same device that turned it on. Remote controls functions if appliance was turned on by remote. Receive controls functions if appliance was turned on by receiver.</li> </ul>
	Error with synchronizing.	<ul style="list-style-type: none"> <li>- Reset receiver and remote.</li> </ul>
	Remote too far away from receiver.	<ul style="list-style-type: none"> <li>- Refer to "wiring diagram" section.</li> </ul>
	Wire connector pins are bent.	<ul style="list-style-type: none"> <li>- Straighten pins.</li> </ul>
	Valve wiring is damaged.	<ul style="list-style-type: none"> <li>- Replace valve.</li> </ul>

symptom	problem	test solution
Motor is turning, frequent beeping occurs.	Receiver batteries low.	- Replace batteries.
Lights or blower won't function (if equipped).	Control module switch in wrong position.	- Verify ON/OFF switch is in the "I" position which denotes on.
	COM switch is unplugged.	- Verify "COM" switch is plugged into the front of the control module.
Flames are very aggressive.	Door is ajar.	- Ensure door is secured properly.
	Venting action is too great.	- Check to ensure venting is properly sealed or restrict vent exit with restrictor plate. (Not available in all appliances).
Appliance won't perform any functions.	No power to the system.	- Check breaker to verify it's in the "on" position.
	Receiver switch in wrong position (if equipped).	- Verify that the 3 position switch on the receiver is in the remote position (middle).
	Transmitter isn't operational.	- Check battery power and battery orientation.

symptom	problem	test solution
---------	---------	---------------

**The following applies specifically to the SIT system only:**

Pilot will not light. Makes no noise with no spark at pilot burner. (Lights and blower operate, if equipped).	Ignition box has been locked out.	<p>Choose one of the 4 methods below to reset the system.</p> <ol style="list-style-type: none"> <li>To reset ignition box when locked out. Turn off power supply and remove batteries (if used) from the back up battery pack.</li> <li>To reset the DFC Board when the board goes into a lock out condition and the LED is blinking 3 times using the transmitter <b>on/off</b> button: <ul style="list-style-type: none"> <li><b>Step 1:</b> Turn the system off by pressing the <b>on/off</b> button to turn the system off.</li> <li><b>Step 2:</b> After approximately 2 seconds press the <b>on/off</b> button on the transmitter again. The DFC Board will reset and the ignition sequence will start again.</li> </ul> </li> <li>To reset the DFC Board when the board goes into a lock out condition and the LED is blinking 3 times by cycling flame: <ul style="list-style-type: none"> <li><b>Step 1:</b> In the manual flame control mode, use the down arrow button to reduce the flame to off, indicated by the word OFF displayed on the transmitter LCD screen.</li> <li><b>Step 2:</b> Wait approximately 2 seconds and press the up arrow button, the ignition sequence will start.</li> </ul> </li> </ol>
---	-----------------------------------	--

**note:**

Starting from **off**, press the **on** button on the transmitter. Approximately 4 seconds **on/off** button is pressed, the ignition board will start the spark. The first try for ignition will last approximately 60 seconds. If there is no flame ignition (rectification), the board will stop sparking for approximately 35 seconds. After the wait time, the board will start the second try for ignition by sparking for approximately 60 seconds. If there is still no positive ignition, the board will go into lock out.



## 13.0 warranty

Napoleon products are manufactured under the strict Standard of the world recognized ISO 9001 : 2015 Quality Management System.

Napoleon products are designed with superior components and materials assembled by trained craftsmen who take great pride in their work. The burner and valve assembly are leak and test-fired at a quality test station. The complete appliance is again thoroughly inspected by a qualified technician before packaging to ensure that you, the customer, receives the quality product that you expect from Napoleon.

### Napoleon Gas Appliance President's Lifetime Limited Warranty

The following materials and workmanship in your new Napoleon gas appliance are warranted against defects for as long as you own the appliance. This covers: combustion chamber, heat exchanger, stainless / steel burner, Phazer™ logs and embers, rocks, ceramic glass (thermal breakage only), gold plated parts against tarnishing, porcelainized enameled components and aluminum extrusion trims.\*

Electrical (110V and millivolt) components and wearable parts are covered and Napoleon will provide replacement parts free of charge during the first year of the limited warranty. This covers: blowers, gas valves, thermal switches, switches, wiring, remote controls, ignitors, gaskets and pilot assemblies.\*

Labour related to warranty repair is covered free of charge during the first year (labour warranty is not applicable for the Gas Log Sets). Repair work, however, requires the prior approval of an authorized company official. Labour costs to the account of Napoleon are based on a predetermined rate schedule and any repair work must be done through an authorized Napoleon dealer.

\* Construction of models vary. Warranty applies only to components included with your specific appliance.

### Conditions and Limitations

Napoleon warrants its products against manufacturing defects to the original purchaser only. Registering your warranty is not necessary. Simply provide your proof of purchase along with the model and serial number to make a warranty claim. Napoleon reserves the right to have its representative inspect any product or part thereof prior to honouring any warranty claim. Provided that the purchase was made through an authorized Napoleon dealer your appliance is subject to the following conditions and limitations:

Warranty coverage begins on the date of original installation. This factory warranty is non-transferable and may not be extended whatsoever by any of our representatives. The gas appliance must be installed by a licensed, authorized service technician or contractor qualified and authorized installer, service agency or supplier. Installation must be done in accordance with the installation instructions included with the product and all local and national building and fire codes. This limited warranty does not cover damages caused by misuse, lack of maintenance, accident, alterations, abuse or neglect, and parts installed from other manufacturers will nullify this warranty. This limited warranty further does not cover any scratches, dents, corrosion or discoloring caused by excessive heat, abrasive and chemical cleaners nor chipping on porcelain enamel parts, mechanical breakage of Phazer™ logs and embers. This warranty extends to the repair or replacement of warranted parts which are defective in material or workmanship provided that the product has been operated in accordance with the operation instructions and under normal conditions. After the first year, with respect to this President's Lifetime Limited Warranty, Napoleon may, at its discretion, fully discharge all obligations with respect to this warranty by refunding to the original warranted purchaser the wholesale price of any warranted but defective part(s).

Napoleon will not be responsible for installation, labour, or any other expenses related to the reinstallation of a warranted part and such expenses are not covered by this warranty. Notwithstanding any provisions contained in the President's Lifetime Limited Warranty, Napoleon's responsibility under this warranty is defined as above and it shall not in any event extend to any incidental, consequential or indirect damages. This warranty defines the obligations and liability of Napoleon with respect to the Napoleon gas appliance and any other warranties expressed or implied with respect to this product, its components or accessories are excluded. Napoleon neither assumes, nor authorizes any third party to assume, on its behalf, any other liabilities with respect to the sale of this product. Napoleon will not be responsible for: over-firing, downdrafts, spillage caused by environmental conditions such as rooftops, buildings, nearby trees, hills, mountains, inadequate vents or ventilation, excessive venting configurations, insufficient makeup air, or negative air pressures which may or may not be caused by mechanical systems such as exhaust fans, furnaces, clothes dryers, etc. Any damages to the appliance, combustion chamber, heat exchanger, plated trim or other components due to water, weather damage, long periods of dampness, condensation, damaging chemicals or cleaners will not be the responsibility of Napoleon. All parts replaced under the President's Limited Lifetime Warranty Policy are subject to a single claim.

During the first 10 years Napoleon will replace or repair the defective parts covered by the lifetime warranty at our discretion free of charge. From 10 years to life, Napoleon will provide replacement parts at 50% of the current retail price. All parts replaced under the warranty will be covered for a period of 90 days from the date of their installation. The manufacturer may require that defective parts or products be returned or that digital pictures be provided to support the claim. Returned products are to be shipped prepaid to the manufacturer for investigation. If a product is found to be defective, the manufacturer will repair or replace such defect. Before shipping your appliance or defective components, your dealer must obtain an authorization number. Any merchandise shipped without authorization will be refused and returned to sender. Shipping costs are not covered under this warranty. Additional service fees may apply if you are seeking warranty service from a dealer. Warranty labour allowance is only for the replacement of the warranted part. Travel, diagnostic tests, shipping and other related charges are not covered by this warranty.

All specifications and designed are subject to change without prior notice due to on-going product improvements. Napoleon is a registered trademark of Wolf Steel Ltd.

# NAPOLEON CELEBRATING OVER 40 YEARS OF HOME COMFORT PRODUCTS



7200, Route Transcanadienne, Montréal, Québec H4T 1A3  
24 Napoleon Road, Barrie, Ontario, Canada L4M 0G8  
214 Bayview Drive, Barrie, Ontario, Canada L4N 4Y8  
103 Miller Drive, Crittenden, Kentucky, USA 41030

Phone: 1-866-820-8686  
[napoleonproducts.com](http://napoleonproducts.com)



# MANUEL D'INSTALLATION ET D'OPÉRATION

Bayfield™

## CONSIGNES DE SÉCURITÉ

### **! AVERTISSEMENT**

#### **RISQUE D'INCENDIE OU D'EXPLOSION**

Incapacité à suivre ces avertissements exactement peuvent entraîner de grave blessures, des pertes de vie ou des dommages matériels.

- N'entreposez pas et n'utilisez pas d'essence ou autres liquides et vapeurs inflammables à proximité de cet appareil ou tout autre appareil.

#### **- QUE FAIRE SI VOUS DÉTECTEZ UN ODEUR DE GAZ:**

- N'allumez aucun appareil.
- Ne touchez à aucun interrupteur électrique; n'utilisez aucun téléphone dans votre immeuble.
- Appelez immédiatement votre fournisseur de gaz d'un téléphone voisin. Suivez ses instructions.
- Si vous ne pouvez pas rejoindre votre fournisseur de gaz, appelez le service des incendies.

- L'installation et l'entretien doivent être faits par un installateur qualifié, une agence d'entretien ou le fournisseur.

Cet appareil peut être installé dans une maison préfabriquée (mobile) déjà installée à demeure si les règlements locaux le permettent.

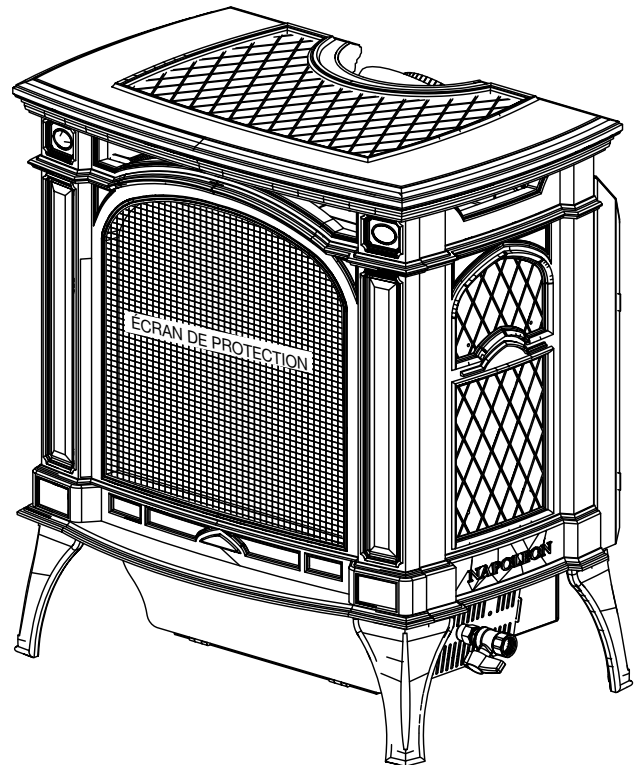
Cet appareil doit être utilisé uniquement avec le type de gaz indiqué sur la plaque d'homologation. Cet appareil ne peut être converti à d'autres gaz, sauf si une trousse de conversion est utilisée.

#### **INSTALLATEUR:**

Laissez ce manuel avec l'appareil

#### **PROPRIÉTAIRE:**

Conservez ce manuel pour consultation ultérieure



## POUR USAGE INTÉRIEUR SEULEMENT

**CERTIFIÉ SELON LES NORMES NATIONALES CANADIENNES ET AMÉRICAINES:  
CSA 2.22 ET ANSI Z21.50 POUR LES APPAREILS À GAZ VENTILES DÉCORATIVES**

APPLY SERIAL NUMBER LABEL FROM CARTON



# consignes de sécurité

FR

## AVERTISSEMENT

- ◆ • **Cet appareil est chaud lorsqu'il fonctionne et peut causer de graves brûlures en cas de contact.**
- **Toute modification apportée à cet appareil ou aux contrôles peut être dangereux et est interdit.**
- Ne faites pas fonctionner l'appareil avant d'avoir lu et compris les instructions d'opération. Omettre d'utiliser l'appareil selon les instructions d'opération pourrait causer un incendie ou des blessures.
- S'assurez que la porte vitrée est ouvert ou retiré de l'appareil lorsque vous allumer le pilote pour la première fois et lorsque le gaz est épuisé
- Risque d'incendie ou d'asphyxie ne faites pas fonctionner l'appareil avec la vitre retirée et jamais obstruer l'ouverture sur le devant de l'appareil.
- Les objets doivent être gardés à une distance d'au moins 4 pieds (1.22m) du devant de l'appareil.
- Ne branchez pas la soupape à du courant 110 volts, avec les exception de modèles; GSST8 et GT8.
- Risque de brûlures. L'appareil doit être éteint et refroidi avant d'effectuer un entretien.
- N'installez pas de composants endommagés ou incomplets ni des composants substitués.
- Risque de coupures et d'éraflures. Portez des gants protecteurs et des lunettes de sécurité lors de l'installation. Les bordures des pièces de métal peuvent être coupantes.
- Ne brûlez pas de bois ou autres matériaux dans cet appareil.
- Assurez-vous d'une quantité suffisante d'air de combustion et de ventilation. Prévoyez un accès suffisant pour entretenir et opérer l'appareil. N'obstruez jamais l'ouverture sur le devant de l'appareil.
- L'appareil doit être gardé libre de tous matériaux combustibles, essence ou autres liquides et vapeurs inflammables.
- Haute pression endommagera la soupape. Débrancher la tuyauterie d'alimentation en gaz avant de tester la pression de ligne de gaz à la pression d'essai au-dessus de 1/2 psig. Fermer l'arrêt manuelle du soupape avant de tester la pression de ligne de gaz à la pression égale ou inférieure à 1/2psig (35mb).
- L'appareil ne doit pas être utilisé au températures au-dessous de zero (32°F / 0°C). Permettre à l'appareil pour réchauffer au-dessus de zero avant le fonctionnement, avec l'exception de modèles; GSS36, GSS42; ces appareil sont adaptés pour 0°F / -18°C.
- **Les enfants et les adultes devraient être informés des dangers que posent les températures de surface élevées et se tenir à distance afin d'éviter des brûlures ou que leurs vêtements ne s'enflamment.**
- **Les jeunes enfants doivent être surveillés attentivement lorsqu'ils sont dans la même pièce que l'appareil. Les jeunes enfants et autres personnes à risque sont sujets aux brûlures accidentelles. Une barrière de protection est recommandée si des individus à risque se trouvent dans la maison. Afin de restreindre l'accès à l'appareil, installez une barrière de protection ajustable pour garder les jeunes enfants ou autres personnes à risque hors de la pièce et loin des surfaces chaudes.**
- **Les vêtements et autres matériaux combustibles ne doivent pas être posés sur l'appareil ou à proximité.**
- **En raison des températures élevées, l'appareil devrait être placé loin des endroits passants et loin des meubles et des rideaux.**
- Les meubles ou autres objets doivent être gardés à une distance d'au moins 4 pieds (1.22m) du devant de l'appareil.
- Assurez-vous de disposer de mesures de sécurité adéquates pour empêcher les jeunes enfants de toucher aux surfaces chaudes.
- Même une fois que l'appareil est éteint, la vitre et/ou le pare-étincelles demeureront chauds pendant un temps prolongé.
- Consultez votre détaillant local de foyer pour connaître les grillages de sécurité et les écrans offerts pour protéger les enfants des surfaces chaudes. Ces grillages de sécurité et ces écrans doivent être fixés au plancher.



## AVERTISSEMENT



**LA VITRE CHAUDE CAUSERA DES BRÛLURES.**

**NE PAS TOUCHER LA VITRE AVANT QU'ELLE AIT REFOIDI.**

**NE JAMAIS LAISSER LES ENFANTS TOUCHER LA VITRE.**

Une barrière conçu à réduire le risque de brûlures causées par le verre chaud est fourni avec l'appareil et sera installé pour la protection des enfants et d'autres personnes à risque.

 **AVERTISSEMENT**

- **Tout écrans de sécurité, écrans ou barrière enlevés pour faire l'entretien devront être remis en place avant d'utiliser l'appareil.**
- Il est primordial de garder propres les compartiments de contrôle, les brûleurs, la soufflerie, les bouches d'air de l'appareil ainsi que le système d'évacuation. L'appareil et son système d'évacuation doivent être inspectés avant la première utilisation et au moins une fois l'an par un spécialiste en entretien. Un entretien plus fréquent pourrait être nécessaire en raison des peluches provenant des tapis, literie, etc. L'emplacement de l'appareil doit être gardé libre de tous matériaux combustibles, essence ou autres liquides et vapeurs inflammables.
- Si l'appareil s'éteint, n'allume pas l'appareil jusqu'à ce que vous donner de l'air frais. Si l'appareil continue de s'éteindre, faire réparer. Garder propres le brûleur et le compartiment de contrôle.
- Cet appareil ne devra être modifié en aucun cas.
- Ne laissez pas les ventilateurs souffler directement sur l'appareil. Empêchez les courants d'air de modifier l'apparence de la flamme.
- N'utilisez pas une soufflerie intégrée, un échangeur de chaleur intégré ni un autre accessoire non approuvé pour cet appareil.
- Cet appareil ne doit pas être raccordé au conduit d'une cheminée desservant un autre appareil de chauffage à combustible solide.
- N'utilisez pas cet appareil si une partie quelconque a été submergée. Contactez immédiatement un technicien de service qualifié pour inspecter l'appareil et pour remplacer toute pièce du système de contrôle et du contrôle du gaz qui aurait été submergée.
- Ne pas opérer l'appareil lorsque la porte vitrée est enlevée, fissurée ou brisée. Le remplacement de la vitre devra être effectué par un technicien de service certifié ou qualifié, si équipé.
- Ne frappez pas et ne claquez pas la porte vitrée de l'appareil, si équipé.
- **Seulement les portes/façades certifiées pour l'appareil peuvent être utilisées avec cet appareil.**
- Gardez les matériaux d'emballage hors de la portée des enfants et mettez ces matériaux au rebut de façon sécuritaire. Comme tous les emballages de plastique, ces matériaux ne sont pas des jouets et doivent demeurer hors de la portée des enfants et des bébés.
- Si équipé, l'écran doivent être fermés en place pendant le fonctionnement de l'appareil.
- Lorsque l'appareil est muni de portes d'évacuation de pression, elles doivent demeurer fermées pendant le fonctionnement de l'appareil afin d'empêcher les gaz de combustion contenant du monoxyde de carbone de s'infiltrer dans la maison. La température des gaz de combustion s'échappant par ces ouvertures peut aussi causer les matériaux combustibles avoisinants à surchauffer et à prendre feu.
- L'empoisonnement au monoxyde de carbone peut conduire à la mort; les premiers signes d'une intoxication au monoxyde de carbone ressemblent à la grippe, avec céphalées, vertiges et/ou des nausées. Si vous présentez ces signes, l'appareil peut ne pas fonctionner correctement. Obtenir l'air frais! Faire réparer l'appareil. Certaines personnes; les femmes enceintes, les personnes ayant une maladie cardiaque ou pulmonaire, anémie, ceux sous l'influence de l'alcool, ceux à haute altitude sont plus touchés par le monoxyde de carbone que d'autres. Défaut de garder l'ouverture d'air primaire(s) du brûleur(s) propre peut entraîner la formation de suies et dommages à la propriété.
- Comme dans le cas de tout appareil à combustion, il est recommandé de faire inspecter et entretenir votre appareil régulièrement. De même, installez un détecteur de monoxyde de carbone dans la pièce pour vous protéger, ainsi que votre famille, contre les intoxications.

# consignes de sécurité

FR

- Assurez-vous que les distances requises pour les dégagements aux matériaux combustibles sont respectées lorsque vous installez une tablette décorative ou des tablettes au-dessus de l'appareil. En raison des températures élevées, un téléviseur ou d'autres composants électroniques pourraient être endommagés prématurément ou ils pourraient fondre, se déformer ou se décolorer.
- **Pour les appareils avec une barrière; le barrière conçu à réduire le risque de brûlures causées par le verre chaud est fourni avec l'appareil et sera installé. Si la barrière est endommagée, elle devra être remplacée par la barrière conçu par le fabricant pour cet appareil.**
- **L'installation et la réparation devraient être effectuées par un technicien qualifié. L'appareil et son système d'évacuation devraient être inspectés avant l'utilisation initiale et au moins une fois l'an par un professionnel qualifié. Un nettoyage plus réquent peut être requis en raison de la poussière excessive laissée par les moquettes, les couvertures, etc. Il est impératif que les compartiments de contrôle, le brûleur et les passages de circulation d'air soient gardés propres afin de fournir une combustion et une circulation d'air adéquates.**
- Produits pour l'extérieur seulement: Cet appareil ne doit pas être installé à l'intérieur ni dans une structure qui empêche la dissipation des gaz de combustion dans l'environnement extérieur.
- S'il y a lieu, la version de millivolt de cet appareil utilise et requiert un thermocouple à action rapide. Remplacez uniquement par un thermocouple à action rapide de Wolf Steel Itée.

<b>! AVERTISSEMENT/ADVERTENCIA !</b>	
<b>RISQUE D'INCENDIE / RETARD D'ALLUMAGE</b>	<b>RIESGO DE INCENDIO/ PELIGRO DE ENCENDIDO DEMORADO</b>
<b>Une pression d'alimentation élevée peut endommager la soupape et ses composants.</b>	<b>El suministro a alta presión dañará la válvula/los controles.</b>
Débrancher la soupape de gaz de la ligne d'alimentation en gaz pendant les essais de pression de ce système lorsque les pressions excèdent 1/2 lb/po2 (3,5 kPa).	Desconectar la válvula/el control principal de gas del aparato del caño de suministro cuando se compruebe la presión del sistema a más de 1/2 psi (3.5 kPa).
Isoler l'appareil en fermant la soupape d'arrêt pendant tout essai de pression du système d'alimentation en gaz lorsque les pressions sont de 1/2 lb/po2 (3,5 kPa) ou moins.	Aislar el aparato con su válvula de cierre durante cualquier comprobación de la presión de la cañería de suministro a una presión igual o inferior a 1/2 psi (3.5 kPa).

<b>1.0</b>	<b>information générales</b>	<b>56</b>	<b>7.0</b>	<b>operation</b>	<b>84</b>
1.1	taux et efficacités	56	7.1	dessin général de la télécommande	85
1.2	vue d'ensemble d'installation	57	7.2	première initialisation de la télécommande / bloc-piles	85
1.3	information sur la plaque d'homologation	59	7.3	afficher de température	86
1.4	installation dans une maison mobile	59	7.4	hauteur de la flamme	86
1.5	liste de pièces	60	7.5	vitesse du ventilateur	86
1.6	dimensions	61	7.6	veilleuse gradateur accès aux contrôles	86
<b>2.0</b>	<b>exigences d'évacuation</b>	<b>62</b>	7.7	la sélection pilote continu / pilote intermittente (CPI / IPI)	87
2.1	installation d'évacuation typique	64	7.8	fonction de sécurité pour enfants	87
2.2	installations particulières d'événements	65	7.9	pires faible	87
2.2.1	ensemble périscopique	65	<b>8.0</b>	<b>réglages</b>	<b>88</b>
2.2.2	terminaison en coin	65	8.1	étranglement des événements verticaux	88
2.3	emplacements et dégagements minimaux de la terminaison	66	8.2	réglage du venturi	88
2.4	terminaison horizontale	67	8.3	réglage de la veilleuse	88
2.5	terminaison verticale	68	8.4	caractéristiques de la flamme	89
2.6	terminaison vertical à travers une cheminée existante	69	<b>9.0</b>	<b>entretien</b>	<b>90</b>
<b>3.0</b>	<b>installation</b>	<b>70</b>	9.1	entretien annuel	91
3.1	installation horizontale	71	9.2	remplacement de la lumière de veille	92
3.2	installation verticale	71	9.3	remplacement de l'injecteur de veilleuse et de l'injecteur de brûleur	92
3.3	installation de la terminaison horizontale	72	9.4	soins de la vitre	93
3.4	installation étendue de la terminaison horizontale en coin	73	9.5	soins des pièces plaquées	93
3.5	installation de la terminaison verticale	74	<b>10.0</b>	<b>rechanges</b>	<b>94</b>
3.6	raccordement des événements à l'appareil	75	10.1	vue d'ensemble	95
3.7	branchement du gaz	75	10.2	l'assemblage de la soupape	96
3.8	dégagements minimaux aux matériaux combustibles	76	<b>11.0</b>	<b>accessoires</b>	<b>97</b>
3.9	dégagements minimaux de la tablette	77	<b>12.0</b>	<b>guide de dépannage</b>	<b>98</b>
<b>4.0</b>	<b>finitions</b>	<b>78</b>	<b>13.0</b>	<b>garantie</b>	<b>102</b>
4.1	installation et enlèvement de la façade en fonte	78	<b>14.0</b>	<b>historique de service</b>	<b>103</b>
4.2	installation et enlèvement de l'écran de protection	78			
4.4	disposition des bûches	79			
4.3	installation et enlèvement de la porte vitrée	79			
4.5	mise en place du logo	80			
<b>5.0</b>	<b>installation de la soufflerie optionnelle</b>	<b>81</b>			
<b>6.0</b>	<b>schéma de câblage</b>	<b>83</b>			

## note:

L'information contenue dans ce manuel est jugée correcte au moment de l'impression. Wolf Steel Ltd. se réserve le droit de modifier ou de modifier toute information contenue dans ce manuel à tout moment sans préavis. Les modifications, autres que les éditoriaux, sont désignées par une ligne verticale dans la marge.



L'icône du camera indique que les vidéos sont disponibles comme une référence supplémentaire. Visitez <http://www.napoleonfireplaces.com/category/product-support/support-centre/>

# liste de verification

FR

**Installateur, veuillez remplir les informations suivants:**

Client: \_\_\_\_\_  
Adresse: \_\_\_\_\_  
Date d'installation: \_\_\_\_\_  
Location de l'appareil: \_\_\_\_\_  
Installateur: \_\_\_\_\_  
Numéro de contact  
du détaillant / distributeur: \_\_\_\_\_  
# de série: \_\_\_\_\_  
Modèle: \_\_\_\_\_

**Gaz Naturel:**  GDS25N-1                      **Propane:**  GDS25P-1

## 1.0 information générales

Lorsque l'appareil est installé à des élévations entre 2 000pi (610m) et 4 500pi (1372m) au-dessus du niveau de la mer, le débit devra être réduit de 10% en utilisant un ensemble de conversion haute altitude certifié. Lorsque l'appareil est installé à des élévations dépassant 4,500 pieds (1372m), et en l'absence de recommandations spécifiques de l'autorité compétente locale, l'indice certifié du débit à haute altitude devra être réduit au taux de 4% pour chaque 1,000pi (305m) supplémentaires.

Les bruits causés par l'expansion et la contraction lors des cycles de chauffage et de refroidissement sont tout à fait normaux et il faut s'y attendre.

Cet appareil ne doit fonctionner qu'avec le gaz spécifié sur la plaque d'homologation. Cet appareil ne peut être converti à un autre type de gaz à moins d'utiliser un ensemble de conversion certifié.

Le cordon d'alimentation de la soufflerie doit être branché dans une prise adéquatement mise à la terre. Ne retirez pas la pointe de mise à la terre de la fiche du cordon d'alimentation.

Cet appareil est approuvé pour installation dans un placard ou en retrait, ainsi que dans les salles de bain, les chambres à coucher et les chambres studio. Il peut aussi être installé dans une maison mobile. Le modèle au gaz naturel peut être installé dans une maison mobile installée en permanence et alimentée au gaz naturel.

### note:

Une barrière conçue à réduire le risque de brûlures à partir de la vitre chaude est à condition que avec l'appareil et sera être installés.

**L'emballage de protection sur les pièces s'enlève mieux lorsque l'assemblage est à température ambiante ou lorsqu'il est chauffé à l'aide d'un séchoir à cheveux ou d'une autre source de chaleur similaire.**

**Cet appareil est un produit décoratif. L'appareil n'est pas une source de chaleur et un combustible solide ne doit pas être utilisé avec cet appareil.**



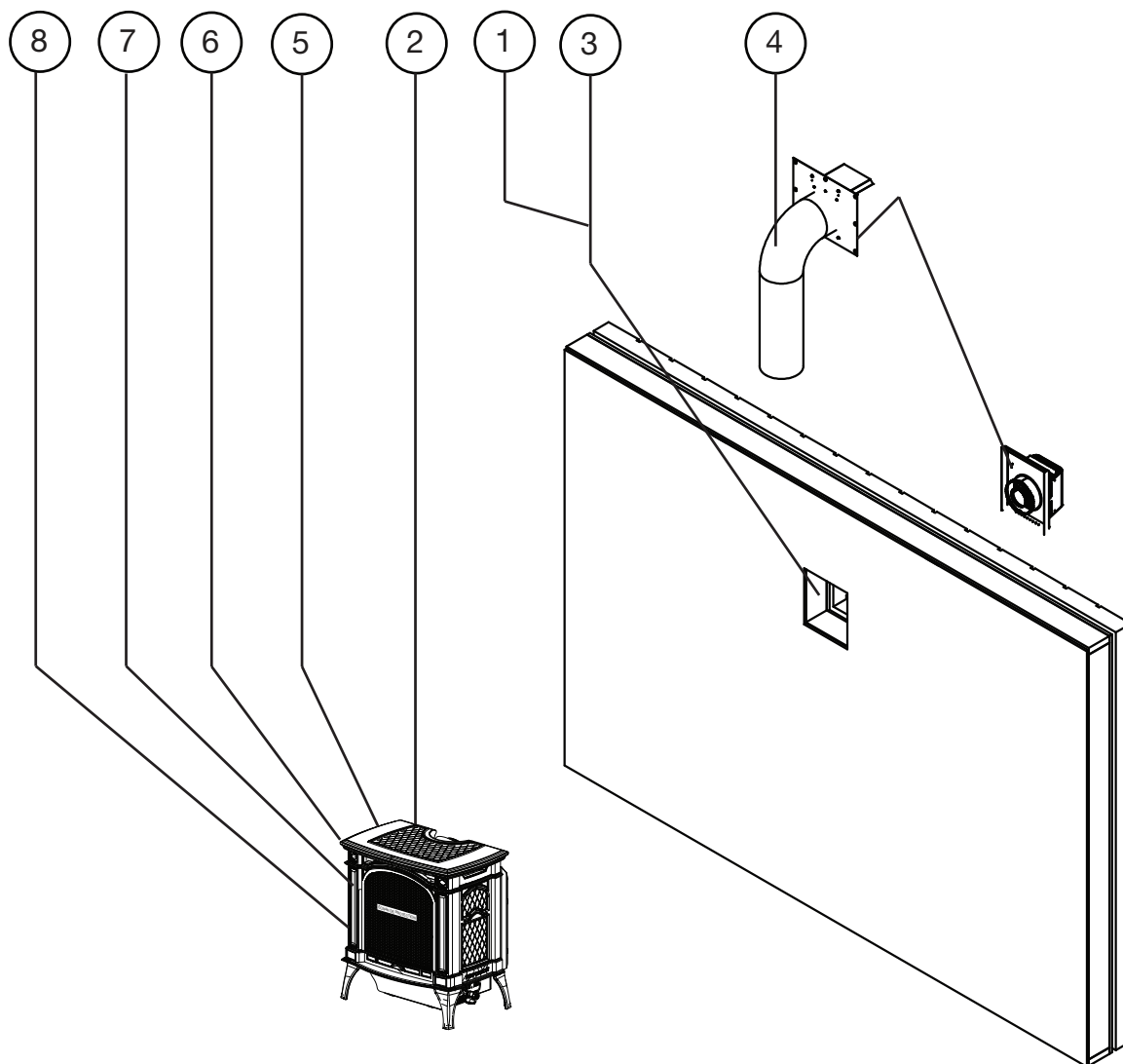
Les piles doivent être mises au rebut conformément aux lois et à la réglementation locales. Certaines piles peuvent être recyclées et acceptées dans votre centre de recyclage local. Renseignez-vous auprès de votre municipalité au sujet des directives de recyclage.

## 1.1 taux et efficacités

	GDS25-1	
	NG	P
Altitude (PI)	0-2,000	0-2,000
Débit max. (BTU/H)	24,500	23,000
Rend. max. (BTU/H)	19,000	16,000
Efficacité (souf. allumée)	80%	80%
Pression minimale d'alimentation en gaz	4,5" de colonne d'eau (11mb)	11" de colonne d'eau (27mb)
Pression maximale d'alimentation en gaz	13" de colonne d'eau (17m)	13" de colonne d'eau (32mb)
Pression au collecteur (lorsque le gaz circule)	3,5" de colonne d'eau (9mb)	10" de colonne d'eau (25mb)



## 1.2 vue d'ensemble d'installation



### Étapes d'installation recommandés:

1. Déterminez les exigences d'évacuation avant de déterminer la position finale de l'appareil.
2. Placez l'appareil dans la position finale.
3. Créez un trou pour l'évacuation de l'appareil.
4. Installez l'évacuation de l'appareil (voir les sections « exigences d'évacuation » et « installation »).
5. Installez toutes les câblages électriques (voir la section « schéma de câblage »).
6. Installez les conduites de gaz (voir la section « branchement du gaz »).
7. Complétez les finitions (voir la section « finitions »).
8. Testez l'appareil (voir la section « branchement du gaz »).

## AVERTISSEMENT

- Allumez toujours la veilleuse, que ce soit pour la première fois ou lorsque l'approvisionnement en gaz est épuisé, avec la porte vitrée ouverte ou retirée.
- Prévoyez un accès suffisant pour entretenir et opérer l'appareil. Assurez-vous d'une quantité suffisante d'air de ventilation.
- N'obstruez jamais l'ouverture de l'appareil.
- Les objets placés devant l'appareil doivent être gardés à une distance d'au moins 48" (121,9cm) de la face vitrée de l'appareil.
- Les surfaces autour et surtout au-dessus de l'appareil peuvent devenir chaudes. Ne touchez pas l'appareil quand il fonctionne.
- Risque d'incendie ou d'explosion.
- Les pressions élevées endommageront la soupape. L'alimentation en gaz doit être débranchée pendant les essais de pression de ce système lorsque les pressions d'essai excèdent 1/2 lb/po<sup>2</sup> (3,5kpa). Fermez la soupape d'arrêt manuelle pendant tout essai de pression du système d'alimentation en gaz lorsque la pression est de 1/2 lb/po<sup>2</sup> (3,5mb) ou moins.
- N'utilisez que les accessoires optionnels et les pièces de rechange approuvés par Wolf Steel pour cet appareil. L'utilisation d'accessoires non listés (soufflerie, portes, persiennes, moulures, composants de gaz, composants d'évacuation, etc.) pourrait être non sécuritaire et annulera la garantie et la certification.
- L'appareil ne doit pas être utilisé aux températures au-dessous de zéro (32°f / 0° c). Permettre à l'appareil pour réchauffer au-dessus de zéro avant le fonctionnement.

**Cet appareil au gaz devrait être installé et entretenu par un installateur qualifié** en se conformant aux codes locaux. Les pratiques d'installation peuvent varier d'une région à l'autre. Il est donc important de connaître les normes spécifiques qui s'appliquent à votre région. Par exemple, dans l'état du Massachusetts:

- Ce produit doit être installé par un plombier certifié ou un installateur pour le gaz lorsque installé dans le Commonwealth du Massachusetts.
- Le registre de l'appareil doit être enlevé ou bloqué en le soudant en position ouverte avant d'installer un encastré ou un ensemble de bûches à gaz.
- La soupape d'arrêt doit être un robinet à gaz avec une poignée en T.
- Le raccord flexible ne doit pas mesurer plus que 36 pouces (914,4mm).
- Un détecteur de monoxyde de carbone est requis dans toutes les pièces contenant des appareils alimentés au gaz.
- L'appareil n'est pas approuvé pour installation dans une chambre à coucher ou une salle de bain à moins d'être un appareil avec une chambre de combustion scellée à évacuation directe.

L'installation doit se conformer aux codes locaux. En l'absence de codes locaux, l'installation doit être conforme au Code d'installation du gaz naturel et du propane CSA B149.1 au Canada ou au National Fuel Gas Code, ANSI Z223.1 / NFPA 54 aux États-Unis. Cet appareil convient pour installation dans une maison mobile si l'installation est conforme aux normes actuelles pour les maisons mobiles équipées au gaz CAN/CSA Z240 SÉRIE MM au Canada ou selon les normes ANSI Z223.1 et NFPA 54 aux États-Unis.

L'alimentation de gaz de l'appareil doit être débranchée pendant les essais de pression de ce système lorsque les pressions d'essai excèdent 1/2 lb/po<sup>2</sup> (3,5 kpa). Fermez la soupape d'arrêt manuelle pendant tout essai de pression du système d'alimentation en gaz lorsque la pression est de 1/2 lb/po<sup>2</sup> (3,5 mb) ou moins. Si la soufflerie ou ventilateur est installer la boîte de dérivation doit être branchée au circuit électrique et mise à la terre conformément aux codes locaux. En l'absence de codes locaux utilisez la version courante du Code Canadien de l'Électricité CSA C22.1 au Canada ou le National Electrical Code ANSI/NFPA 70 aux États-Unis. Dans le cas où le soufflerie est équipé d'un cordon d'alimentation il doit être connecté à une réceptacle correctement mise à la terre. La fiche de mise à la terre ne doit pas être retiré du cordon d'alimentation.

Ce qui suit ne s'applique pas aux foyers encastrés; tant que les distances requises pour les dégagements aux matériaux combustibles sont respectées, le meilleur endroit pour un appareil est le centre de la maison, car ceci permet une meilleure utilisation de la chaleur fournie. L'emplacement des fenêtres, des portes et la circulation dans la pièce où se trouve l'appareil devront être pris en considération. Si possible, vous devriez choisir un emplacement où le système d'évent peut passer à travers la maison sans avoir à découper des solives de plancher ou de toit, sauf indication contraire à l'essai.



Nous suggérons que nos appareils au gaz soient installés et que l'entretien soit effectué par des professionnels certifiés par le National Fireplace Institute® (NFI) comme spécialiste du gaz NFI.

1.3 information sur la plaque d'homologation

CONFORMS TO / CONFORME AUX: ANSI Z21.50-2016, CERTIFIED TO / CERTIFIE CSA 2.22-2016 VENTED DECORATIVE GAS APPLIANCE / FOYER À GAZ VENTILÉ.

APPROVED FOR BEDROOM, BATHROOM & BEDSITTING ROOM INSTALLATION. SUITABLE FOR MOBILE HOME INSTALLATION IF INSTALLED IN ACCORDANCE WITH THE CURRENT STANDARD CAN/CSA Z240MH SERIES GAS EQUIPPED MOBILE HOMES, IN CANADA OR IN THE UNITED STATES THE MANUFACTURED HOME CONSTRUCTION AND SAFETY STANDARD, TITLE 24 CFR, PART 3280. WHEN THIS US STANDARD IS NOT APPLICABLE USE THE STANDARD FOR FIRE SAFETY CRITERIA FOR MANUFACTURED HOME INSTALLATIONS, SITES AND COMMUNITIES, ANSI / NFPA 501A. **FOR USE WITH BARRIER W010-3295. FOLLOW THE INSTALLATION INSTRUCTIONS LOCATED IN THE INSTALLATION MANUAL.**

HOMOLOGUE POUR INSTALLATION DANS UNE CHAMBRE A COUCHER, UNE SALLE DE BAIN ET UN STUDIO. APPROPRIÉ POUR INSTALLATION DANS UNE MAISON MOBILE SI SON INSTALLATION CONFORME AUX EXIGENCES DE LA NORME CAN/CSA Z240MH SERIE DE MAISONS MOBILES EQUIPEES AU GAZ. EN VIGUEUR AU CANADA OU AUX ETATS-UNIS DE LA NORME DE SECURITE ET DE CONSTRUCTION DE MAISONS MANUFACTUREES, TITRE 24 CFR, SECTION 3280. DANS LE CAS OU CETTE NORME D'ETATS-UNIS NE PEUT ETRE APPLIQUEE, SE REFERER A LA NORME RELATIVE AU CRITERE DE MESURES DE SECURITE CONTRE L'INCENDIE POUR LES INSTALLATIONS DANS LES MAISONS MANUFACTUREES, LES SITES ET LES COMMUNAUTES, ANS/NFPA 501A. **POUR UNE UTILISER AVEC BARRIERE W010-3295. SUIVEZ LES INSTRUCTIONS D'INSTALLATION SE TROUVENT DANS LE MANUEL D'INSTALLATION.**

**Intertek**

MANIFOLD PRESSURE: 3.5" W.C. (NG)  
PRESSION AU COLLECTEUR: 3.5" D'UNE COLONNE D'EAU (GN)

MIN SUPPLY PRESSURE: 4.5" W.C. (NG)  
PRESSION D'ALIMENTATION MIN: 4.5" D'UNE COLONNE D'EAU (GN)

MAX. SUPPLY PRESSURE: 7" W.C. (NG)  
PRESSION D'ALIMENTATION MAX: 7" D'UNE COLONNE D'EAU (GN)

AFUE: 64%

9700539 (WSL)   
4001658 (NAC)

GDS25N

0-2000ft  24,500 BTU/h  
2000-4500ft  22,000 BTU/h

ALTIITUDE / ELEVATION INPUT / ALIMENTATION REDUCED INPUT / ALIMENTATION REDUITE

MODEL GDS25P

0-2000ft  23,000 BTU/h  
2000-4500ft  20,000 BTU/h

MANIFOLD PRESSURE: 10" W.C. (LP)  
PRESSION AU COLLECTEUR: 10" D'UNE COLONNE D'EAU (P)

MIN SUPPLY PRESSURE: 11" W.C. (LP)  
PRESSION D'ALIMENTATION MIN: 11" D'UNE COLONNE D'EAU (P)

MAX. SUPPLY PRESSURE: 13" W.C. (LP)  
PRESSION D'ALIMENTATION MAX: 13" D'UNE COLONNE D'EAU (P)

AFUE: 64%

**NOT FOR USE WITH SOLID FUEL**  
FOR USE WITH GLASS DOORS CERTIFIED WITH THIS UNIT ONLY.  
**WARNING:** DO NOT ADD ANY MATERIAL TO THE APPLIANCE, WHICH WILL COME IN CONTACT WITH THE FLAMES, OTHER THAN THAT SUPPLIED BY THE MANUFACTURER WITH THE APPLIANCE.  
**ELECTRICAL RATING:** 115V 1.5AMP 60HZ THE APPLIANCE MUST BE VENTED USING THE APPROPRIATE WOLF STEEL VENT KITS. SEE OWNERS INSTALLATION MANUAL FOR VENTING SPECIFICS. MINIMUM AND MAXIMUM VERTICAL VENT LENGTHS ARE 3 FEET AND 40 FEET RESPECTIVELY.

MINIMUM AND MAXIMUM HORIZONTAL VENT LENGTHS ARE 10 INCHES AND 20 FEET RESPECTIVELY. PROPER REINSTALLATION AND RESEALING IS NECESSARY AFTER SERVICING THE VENT-AIR INTAKE SYSTEM.

**MINIMUM CLEARANCE TO COMBUSTIBLE MATERIAL:**

A 4" B/W (M/A)  
B 2" B/W (M/A)  
C 2" B/W (M/A)

VENT TOP 2" TO CEILING FROM STOVE TOP  
VENT BOTTOM 1"  
VENT SIDES 1"

**UN COMBUSTIBLE SOLIDE NE DOIT PAS ETRE UTILISE AVEC CET APPAREIL**  
UTILISER AVEC LES PORTES VITREES HOMOLOGUEES SEULEMENT AVEC CETTE UNITE.  
**AVERTISSEMENT:** N'AJOUTEZ PAS A CET APPAREIL AUCUN MATERIAU DEVANT ENTRER EN CONTACT AVEC LES FLAMMES AUTRE QUE CELUI QUI EST FOURNI AVEC CET APPAREIL PAR LE FABRICANT.  
**CLASS:** 115V 1.5AMP 60HZ L'APPAREIL DOIT EVACUER SES GAZ EN UTILISANT L'ENSEMBLE D'EVACUATION PROPRE A WOLF STEEL. REFERER AU MANUEL D'INSTALLATION DE PROPRIETAIRE POUR L'EVACUATION PRECISE. LES LONGUEURS VERTICALES MINIMALES ET MAXIMALES SONT 3 PIEDS ET 40 PIEDS RESPECTIVEMENT.

LES LONGUEURS HORIZONTALES MINIMALES ET MAXIMALES SONT 10 POUCHES ET 20 PIEDS RESPECTIVEMENT.  
IL EST IMPORTANT DE BIEN REINSTALLER ET RESCELLER L'EVENT APRES AVOIR ASSURE LE MAINTIEN DU SYSTEME DE PRISE D'AIR.  
**DEGAGEMENTS MINIMAUX DES MATERIAUX COMBUSTIBLES:**

A 4" B/W (M/A)  
B 2" B/W (M/A)  
C 2" B/W (M/A)

EVENT SUPERIEUR 2" ENTRE LE DESSUS DU FOYER  
EVENT INFERIEUR 1" ET LE PLAFOND 48"  
COTES DE L'EVEN 1"

WOLF STEEL LTD.  
24 NAPOLEON ROAD, BARRIE, ONTARIO L4M 0G8 CANADA

SERIAL NUMBER / NO. DESERIE **GDS25**

W385-1962 / A

Cette illustration est à titre de référence seulement. Consultez la plaque d'homologation pour obtenir l'information précise.

**note:**

La plaque d'homologation doit rester avec l'appareil à tout instant. Il ne doit pas être enlevé.

1.4 installation dans une maison mobile

Cet appareil doit être effectuée en respectant les directives du fabricant et le Manufactured Home Construction and Safety Standard, Title 24 CFR, Part 3280, aux États-Unis, ou les normes actuelles pour les maisons mobiles, CAN/CSA Z240 SÉRIE MH au Canada. Cet appareil ne doit être utilisé qu'avec le type de gaz indiqué sur la plaque d'homologation.

Cet appareil homologué pour les maisons mobiles et préfabriquées possède des éléments de fixation. L'appareil est muni de deux trous de 1/4" (6,4mm) de diamètre, situés aux coins avant, gauche et droit de la base. Fixez à l'aide des attaches appropriées, insérées dans les trous de la base. Pour les produits autoportante, contactez votre revendeur agréé / distributeur permettant l'ensemble de sécurisation. Lors d'une installation dans une maison mobile, l'appareil doit être fixé au plancher. Éteignez toujours la veilleuse et l'alimentation en gaz à la source avant de déplacer la maison mobile. Après avoir déplacé la maison mobile et avant d'allumer l'appareil assurez-vous que les bûches sont placées correctement.

Cet appareil est certifié pour être installé dans une maison mobile installée de façon permanente, sauf si les codes locaux l'interdisent.

Cet appareil ne doit être utilisé qu'avec le type de gaz indiqué sr la plaque d'homologation. On ne peut utiliser cet appareil avec d'autres types de gaz, sauf si un ensemble de conversion certifié est utilisé.

**Ensembles de conversion**

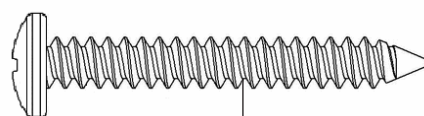
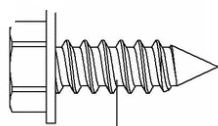
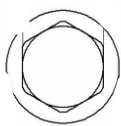
L'appareil pour maison mobile peut être converti au gaz naturel (GN) ou au propane (P). Pour effectuer une conversion, veuillez consulter votre détaillant autorisé.

**note:**

Trousse de conversions ne sont pas disponibles pour les appareils de d'évent libre.

# information générales

## FR 1.5 liste de pièces



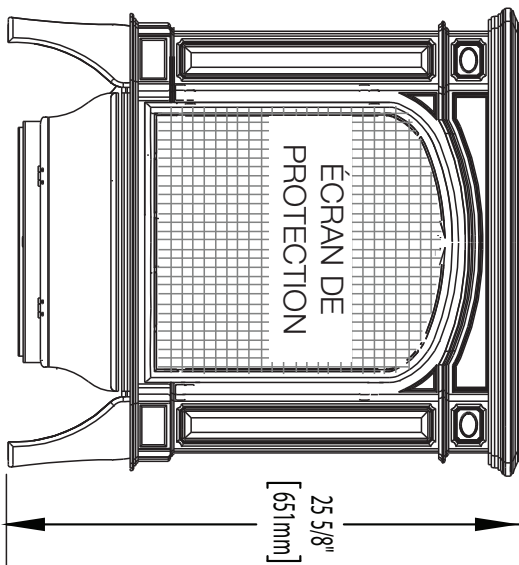
	Description	Quantité
1	Vis à Tête Hexagonale 1/4"	3
2	Vis à Tête Cylindrique 1 3/4"	4

**note:**

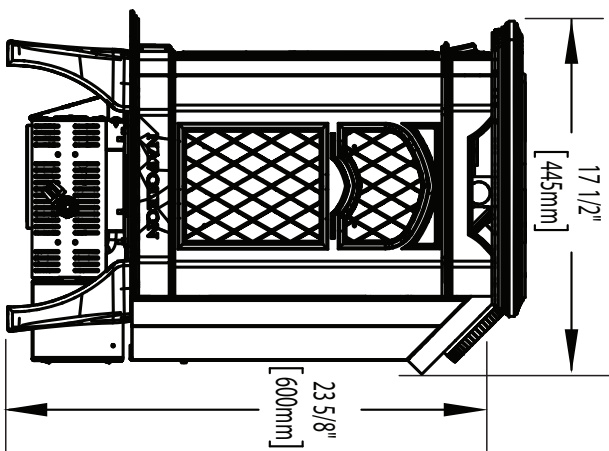
Seulement les attaches fournies avec l'appareil sont illustrées.

1.6 dimensions

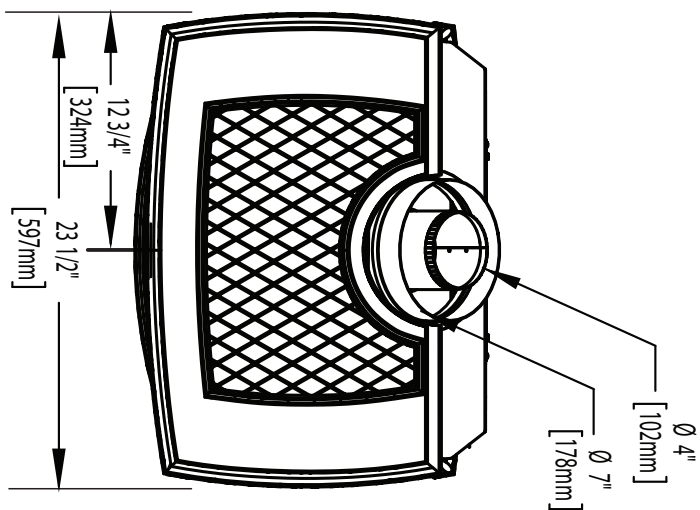
VUE DE FACE



VUE DE CÔTÉ DROIT



VUE DE DESSUS



## 2.0 exigences d'évacuation

FR

### **AVERTISSEMENT**

- Risque d'incendie. Conservez les dégagements nécessaires au conduit d'évent et à l'appareil.
- Si le système d'évent est fourni avec des espaceurs, les courses horizontales et verticales du système doivent être supportées à tous les 3 pi (0,9m). Utilisez des supportes ou des attaches incombustibles équivalents afin de maintenir le dégagement aux matériaux combustibles pour les courses verticales et horizontales. Utilisez l'ensemble de support mural Wolf Steel W010-0067 ou des supports incombustibles équivalents afin de conserver le dégagement minimal aux matériaux combustibles pour les courses verticales et horizontales. Des espaceurs sont fixés au conduit intérieur à intervalles prédéterminé afin de garder un espace vide avec le conduit extérieur. Pour que le fonctionnement soit sécuritaire, un espace vide est requis. Un espaceur est requis au début, au milieu et à la fin de chaque coude afin de maintenir cet espace vide. N'enlevez pas ces espaceurs.

**Cet appareil utilise un système de conduits de 4" (102mm) pour l'évacuation et de 7" (178mm) pour la prise d'air.**

**Veillez consulter la section qui correspond à votre installation.**

Afin d'assurer un fonctionnement sécuritaire et adéquat de l'appareil, vous devez observer les instructions d'évacuation à la lettre. Un changement à la longueur verticale minimale de l'évacuation pourrait entraîner des problèmes d'allumage du brûleur et/ou des accumulations de carbone. Sous des configurations d'évacuation extrêmes, allouez de 5 à 15 minutes pour que la flamme se stabilise après l'allumage. Il est suggérons fortement de les événements qui passent à travers des espaces non chauffés (greniers, garages, espaces réduits) devraient être recouverts d'un manchon isolant pour minimiser la condensation. Prévoyez un moyen d'inspecter visuellement le raccord des événements à l'appareil après que ce dernier a été installé. Utilisez un espaceur coupe-feu, un protecteur de conduit d'évacuation ou un écran thermique de grenier lorsque les murs intérieurs, le plancher ou le plafond sont traversés.

La terminaison peut être peints avec une peinture haute température pour faire correspondre les couleurs extérieures. Utilisez une peinture extérieure pour 400°F (200°C). Application et performance de la peinture est la responsabilité du consommateur. Spot test est recommandé.

#### **note:**

Si pour une raison quelconque le système d'événements de prise d'air est démonté, réinstallez-le selon les instructions fournies dans l'installation initiale.

Cet appareil doit être installé de manière à ce que le conduit d'évacuation et de prise d'air se prolongent sur toute la longueur de la cheminée. Toute autre méthode d'installation telle que d'utiliser la cheminée comme partie du système d'évent est interdite.

Utilisez uniquement des composants d'évacuation Wolf Steel, Simpson Dura-Vent, Selkirk Direct Temp, American Metal Amerivent ou Metal-Fab. Les minimums et maximums des longueurs d'évent, pour les installations verticales et horizontales, et les emplacements des terminaisons pour les deux systèmes sont précisés dans ce manuel et doivent être respectés. Pour le Simpson Duravent, le Selkirk Direct Temp, l'American Metal Amerivent et le Metal-Fab, suivez la procédure d'installation fournie avec les composants d'évacuation.

Un adaptateur de départ est nécessaire et peut être acheté chez le fournisseur correspondant :

<b>Fabricant d'évacuation</b>	<b>No. de pièce de l'adaptateur de départ</b>	<b>Fournisseur</b>	<b>Site Web</b>
Duravent	W175-0170	Wolf Steel	www.duravent.com
Amerivent	5DSC-N2	American Metal	www.americanmetalproducts.com
Direct Temp	5DT-AA	Selkirk	www.selkirkcorp.com
SuperSeal	5DNA	Metal-Fab	www.mtlfab.com

Pour les systèmes d'événements dont le conduit intérieur d'évacuation possède déjà des joints scellés, seuls les joints du conduit extérieur de prise d'air doivent être scellés avec un scellant de silicone rouge à haute température (RTV). Ce même scellant peut être utilisé sur les joints des conduits intérieurs et extérieurs de tous les autres systèmes d'événements approuvés à l'exception du raccordement du conduit d'évacuation à la buse du foyer qui doit être scellé avec le scellant noir à haute température Mill Pac. Le scellant à haute température doit être commandé séparément.

Lorsque vous utilisez des composants d'évacuation de Wolf Steel: n'utilisez que des composants flexibles/rigides d'évacuation Wolf Steel Itée conjointement avec les ensembles de terminaison suivants : les ensembles de terminaison murale **GD222**, **GD222R**, ou l'ensemble de terminaison pour toit de pente 1/12 à 7/12 **GD110**, l'ensemble de terminaison pour toit de pente 8/12 à 12/12 **GD111**, l'ensemble de terminaison pour toit plat **GD112** ou l'ensemble périscopique **GD201** (pour pénétration des murs sous le niveau du sol). Lorsque vous utilisez des conduits flexibles, conjointement avec les différentes terminaisons, utilisez l'ensemble d'événements de 5PI (1,5m) **GD220** ou l'ensemble d'événements de 10PI (3,1m) **GD330**. Pour les poêles seulement: ensembles de terminaison murale **GD175** (systèmes d'événements fourni).

**Pour une performance optimale de l'appareil et une apparence optimale des flammes, gardez la longueur des événements et le nombre de coudes au minimum.**

**La prise d'air de la terminaison extérieure doit demeurer dégagée en tout temps. Vérifiez la prise d'air de la terminaison au moins une fois l'an pour vous assurer qu'elle n'est pas obstruée ni endommagée.**

**Ne combinez pas de composants rigides ou flexibles ni de composants d'évacuation provenant de fabricants différents.**

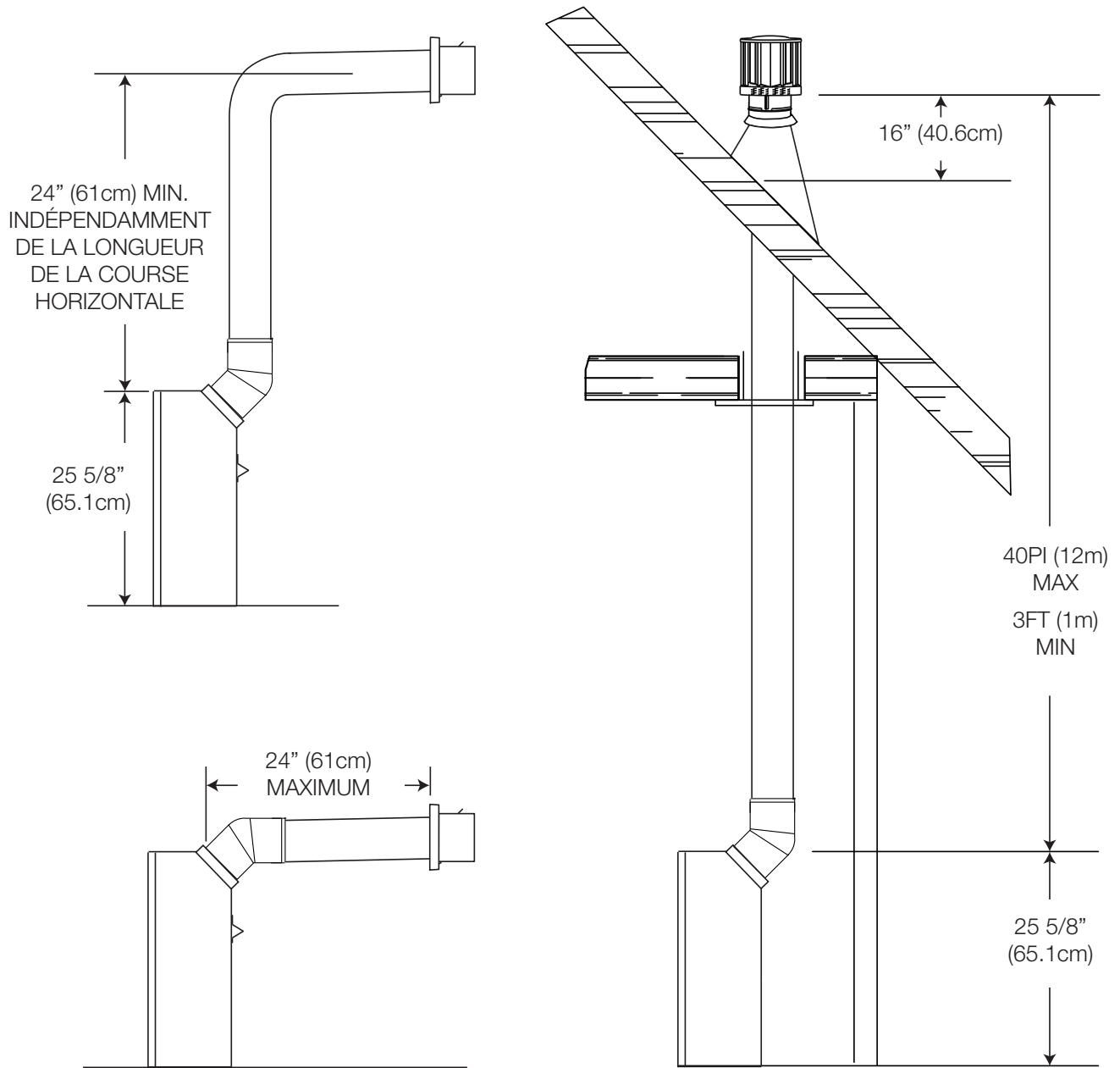
Ces ensembles d'événements permettent soit une évacuation verticale, soit une évacuation horizontale de l'appareil. La course horizontale doit être conservée à un maximum de 20PI (6,1m). La hauteur totale permise pour un événement vertical est de 40PI (12,2m). Lorsque vous utilisez des composants flexibles, le nombre maximal de raccords est de deux horizontalement ou trois verticalement (excluant les raccords à l'appareil et à la section de terminaison).

Une terminaison ne doit pas être installée directement au-dessus d'un trottoir ou d'une entrée pavée, située entre deux maisons unifamiliales et servant aux deux maisons. Les codes ou réglementations locaux peuvent exiger des dégagements différents.

**Pour les poêles seulement: Un changement à la longueur verticale minimale de l'évacuation pourrait entraîner des problèmes d'allumage du brûleur et/ou des accumulations de carbone. Pour faciliter l'installation, utilisez un tuyau ajustable comme dernière pièce de tuyau rigide à l'appareil.**

# exigences d'évacuation

## FR 2.1 installation d'évacuation typique



### ⚠ AVERTISSEMENT

- Lorsque la course verticale, immédiatement à la sortie de l'appareil, est de 57" (1.45m), alors la course horizontale maximale est de 20 pieds (6m).



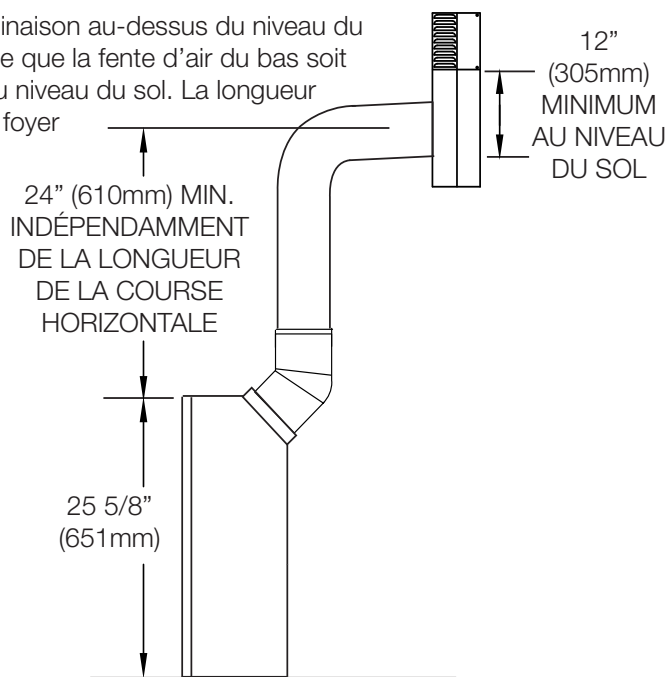
## 2.2 installations particulières d'évents

### 2.2.1 ensemble périscopique

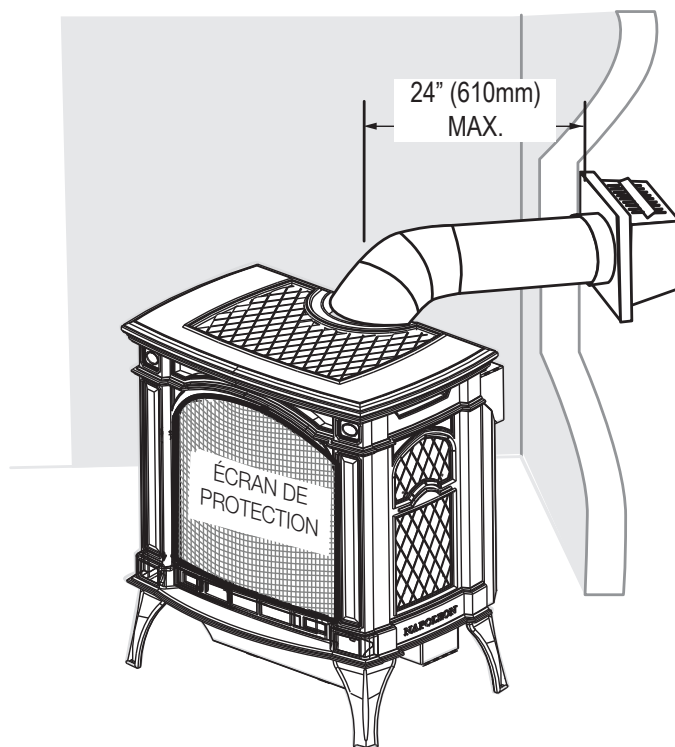
Utilisez l'ensemble périscopique afin de positionner la terminaison au-dessus du niveau du sol. L'ensemble périscopique doit être installé de façon à ce que la fente d'air du bas soit située à un minimum de 12 pouces (305mm) au-dessus du niveau du sol. La longueur maximale permise de l'évent est de 10 pieds (3m) pour un foyer et 8 pieds (2,4m) pour un poêle.

#### **⚠ AVERTISSEMENT**

- Installation sous le niveau du sol longueur d'évacuation maximale de 10 pieds (3m) utilisez l'ensemble périscopique GD201.
- La course horizontale ne doit pas excéder la course verticale.

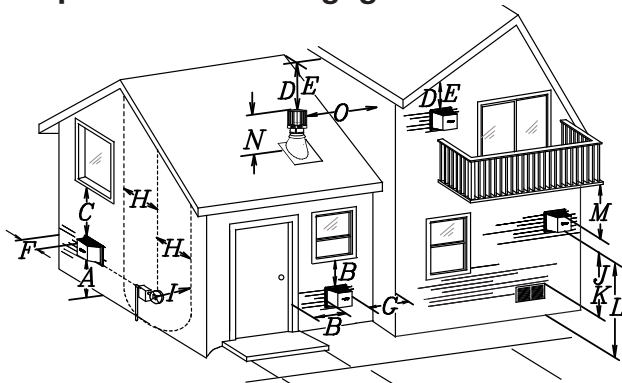


### 2.2.2 terminaison en coin

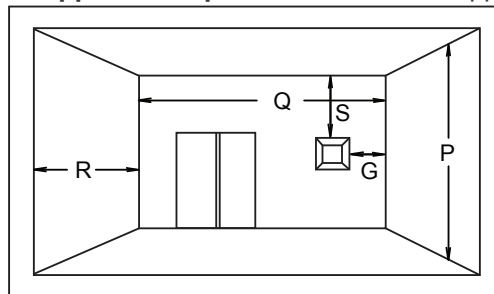


# exigences d'évacuation

## FR 2.3 emplacements et dégagements minimaux de la terminaison



### Applications pour balcon couvert ††\*



$Q_{MIN} = 3 \text{ feet}$ (0.9m)	$R_{MAX} = 2 \times Q_{ACTUAL}$	$R_{MAX} \leq 15 \text{ feet}$ (4.6m)
--------------------------------------	---------------------------------	--

#### note:

Les terminaux du mur sont à des fins d'illustration seulement. La taille et les formes peuvent varier.

	INSTALLATIONS		
	CANADA	É.-U.	
A	12" (30,5cm)	12" (30,5cm)	Dégagement au-dessus du sol, d'une véranda, d'une terrasse en bois ou d'un balcon.
B	12" (30,5cm) <sup>Δ</sup>	9" (229mm) <sup>Δ</sup>	Dégagement des fenêtres ou des portes qui ouvrent.
C	12" (30,5cm)*	12" (30,5cm)*	Dégagement des fenêtres fermées en permanence.
D	18" (45,7cm)**	18" (45,7cm)**	Dégagement verticale d'un soffite ventilé situé au-dessus de la terminaison si la distance horizontale est de moins de 2' (0,6m) de la ligne médiane de la terminaison.
E	12" (30,5cm)**	12" (30,5cm)**	Dégagement d'un soffite non ventilé.
F	0" (0mm)	0" (0mm)	Dégagement des murs faisant coin extérieur.
G	0" (0mm)***	0" (0mm)***	Dégagement des murs extérieurs incombustibles faisant coin intérieur ou aux obstructions incombustibles (cheminée, etc.)
	2" (51mm)***	2" (51mm)***	Dégagement des murs extérieurs combustibles faisant coin intérieur ou aux obstructions combustibles (habillage extérieur, etc.).
H	3' (0,9m)	3' (0,9m)****	Dégagement horizontale de chaque côté depuis la ligne verticale tirée du centre d'un ensemble de régulateur/compteur pour une distance verticale maximale de 15' (4,6m).
I	3' (0,9m)	3' (0,9m)****	Dégagement d l'évent du régulateur.
J	12" (30,5cm)	9" (229mm)	Dégagement d'une prise d'air de ventilation non mécanique de la maison ou d'une prise d'air de combustion de tout autre appareil.
K	6' (1,8m)	3' (0,9m) †	Dégagement d'une prise d'air mécanique.
L	7' (2,1m) ‡	7' (2,1m) ****	Dégagement au-dessus d'un trottoir ou d'une entrée pavée situées sur une propriété publique.
M	12" (30,5cm)††	12" (30,5cm)****	Dégagement sous une véranda ou une terrasse en bois.
N	16" (40,6cm)	16" (40,6cm)	Dégagement au-dessus du toit.
O	2' (0,6m)†*	2' (0,6m) †*	Dégagement des murs adjacents, incluant les maisons voisines.
P	8' (2,4m)	8' (2,4m)	Le toit doit être incombustible et sans ouvertures.
Q	3' (0,9m)	3' (0,9m)	Voir le tableau pour les dimensions d'un mur plus large.
R	6' (1,8m)	6' (1,8m)	Voir la tableau pour les dimensions d'un mur plus profond. La terminaison ne doit pas être installée sur quelconque mur ayant une ouverture entre la terminaison et le côté ouvert de la structure.
S	12" (30,5cm)	12" (30,5cm)	Dégagement sous un balcon ouvert.

Δ Pour les structures comportant trois murs et un toit, la terminaison doit être située à plus de 6 pieds (1,8m) sous une fenêtre s'ouvrant sur un plan horizontal.

\* Recommandé afin de prévenir la formation de buée dans les fenêtres et les cassures thermiques.

\*\* Il est recommandé d'utiliser un protecteur de chaleur et de maximiser la distance au soffite de plastique.

\*\*\* L'ensemble périscopique requiert un dégagement minimal de 18 pouces (45,7cm) d'un mur extérieur faisant coin intérieur.

\*\*\*\* Ceci est une distance recommandée. Vérifiez les codes locaux pour connaître les contraintes additionnelles.

† Trois pieds au-dessus si la distance horizontale est de moins de 10 pieds (3,1m).

‡ Une terminaison d'évacuation ne doit pas être installée à un endroit où elle pourrait causer une formation dangereuse de givre ou de glace sur les surfaces d'une propriété adjacente.

†† Permis seulement si la véranda ou la terrasse en bois sont complètement ouverts sur un minimum de deux côtés sous le plancher.

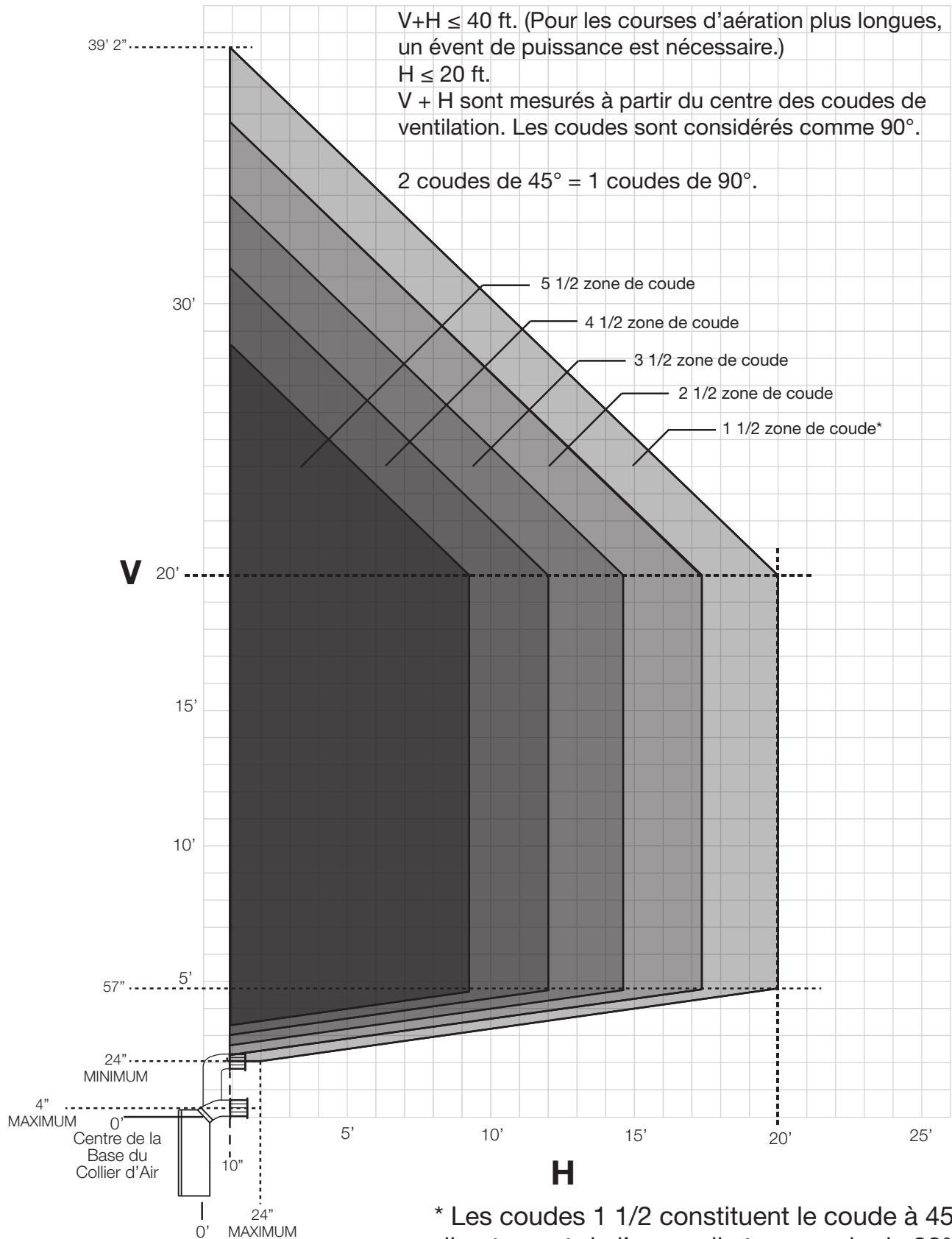
†\* Recommandé afin d'éviter la recirculation des produits d'échappement. Vérifiez les codes locaux pour connaître les contraintes additionnelles.

††\* Permis seulement si le balcon est complètement ouvert sur au moins un côté.

#### note:

Les dégagements doivent être conformes aux codes d'installation locaux et les exigences du fournisseur de gaz. En leur absence, les dégagements doivent être comme indiqué ci-dessous et sont basés sur des codes nationaux.

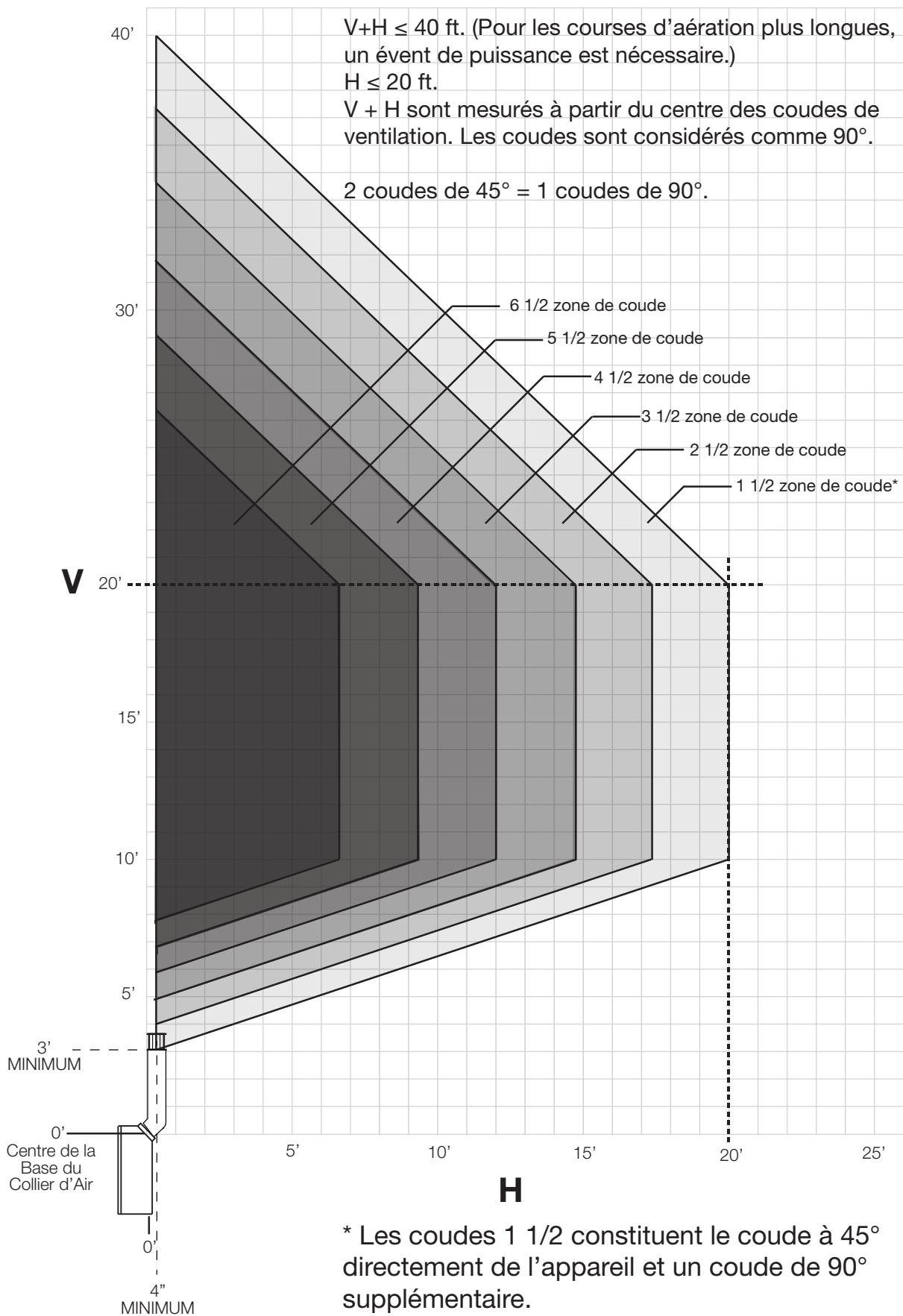
## 2.4 terminaison horizontale



\* Les coudes 1 1/2 constituent le coude à 45° directement de l'appareil et un coude de 90° supplémentaire.

# exigences d'évacuation

## FR 2.5 terminaison verticale



## 2.6 terminaison vertical à travers une cheminée existante

### ! AVERTISSEMENT

- Risque d'incendie
- Les configurations d'évacuation coaxiales à colinéaires ne doivent être utilisées que dans une cheminée ou une enceinte de nature incombustible. Une installation dans une enceinte combustible peut causer un incendie.

Cet appareil est conçu pour être raccordé à un système d'évent flexible colinéaire de 3" (7,6cm) en aluminium se prolongeant sur toute la longueur de la cheminée de maçonnerie.

Les conduits flexibles s'adaptent à tous les contours d'une cheminée de maçonnerie. Néanmoins, vous devez garder les conduits flexibles aussi droit que possible. Le collet de prise d'air de la terminaison doit être raccordé au conduit flexible de prise d'air et le collet d'évacuation de la terminaison au conduit flexible d'évacuation.

Les adaptateurs colinéaire à coaxial Simpson Duravent et Selkirk sont approuvés pour cet appareil.

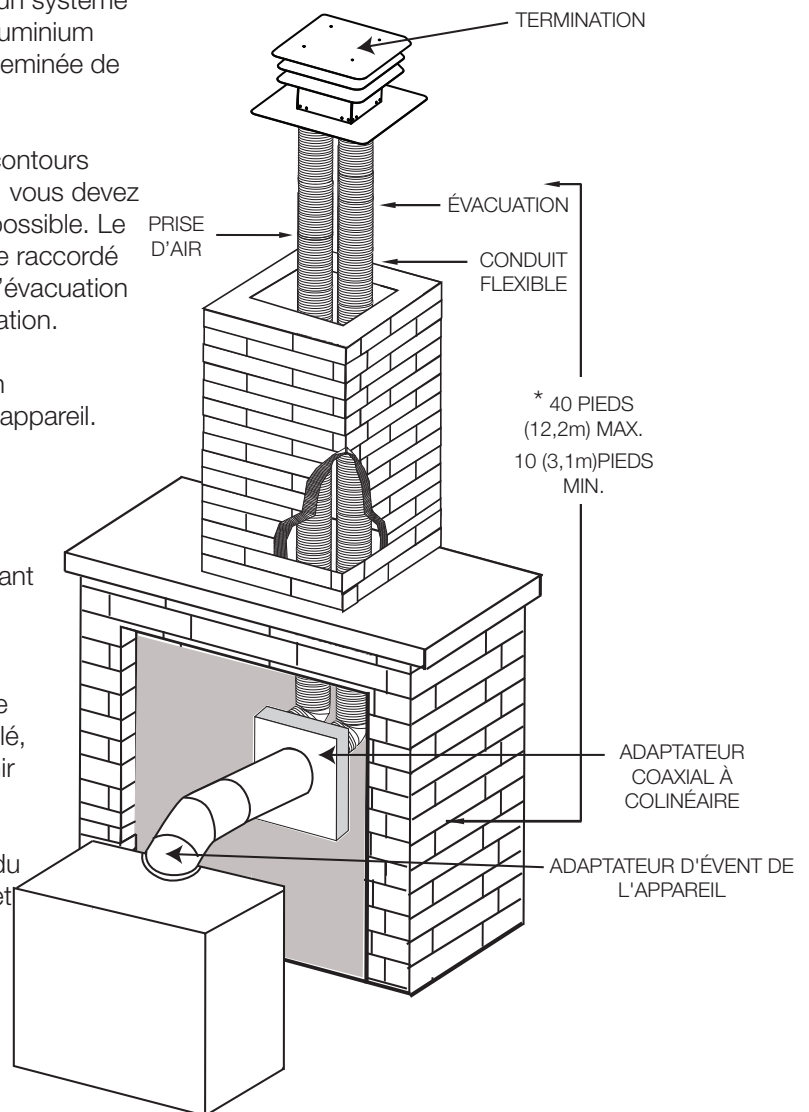
#### note:

Un adaptateur d'évent sera nécessaire directement à partir de l'appareil.

Suivez les instructions d'installation du fabricant du système d'évacuation.

Des composants d'évacuation de différents fabricants ne doivent pas être combinés. Une fois que l'adaptateur de votre choix est installé, le reste du système d'évacuation doit provenir du même fabricant.

La seule exception à cette règle est l'usage du système de conduit flexible de 3" (7,6cm) et de terminaison colinéaire Wolf Steel.



\* Mesurée à partir de la buse de l'appareil jusqu'au collet de la terminaison.

## 3.0 installation

FR

### AVERTISSEMENT

- Avant d'effectuer les branchements pour l'alimentation en gaz et électronique, assurez-vous de retirer toute composante non fixée à l'intérieur de la chambre de combustion.
- Si votre appareil comprend un système de télécommande, assurez-vous que le récepteur est à la position « OFF » avant d'effectuer les branchements pour l'alimentation en gaz et électronique.
- Afin d'assurer un fonctionnement sécuritaire et adéquat de l'appareil, vous devez observer les instructions d'évacuation à la lettre.
- Tous les joints des conduits doivent être scellés avec du scellant de silicone rouge à haute température RTV (W573-0002) (non fourni) ou du scellant noir à haute température Mill Pac (W573-0007) (non fourni) à l'exception du raccordement du conduit d'évacuation à la buse de l'appareil qui doit être scellé avec le scellant Mill Pac.
- Si vous utilisez des colliers pour tuyau pour raccorder les composants d'évacuation, vous devez aussi installer trois vis pour vous assurer que le raccordement ne défasse pas.
- Ne serrez pas la gaine flexible.
- Risque d'incendie, d'explosion ou d'asphyxie. Si l'ensemble du système de conduit d'évent n'est pas adéquatement soutenu, il risque de fléchir ou de se séparer. Utilisez des supports de conduit et raccordez les sections de conduits selon les instructions d'installation.
- Risque d'incendie. Évitez que l'isolant touche au conduit d'évacuation. Retirez l'isolant pour permettre l'installation de l'écran protecteur du grenier et pour maintenir les dégagements aux matériaux combustibles.
- Ne remplissez pas l'espace entre le conduit d'évent et la charpente avec aucun type de matériau. Ne bourrez pas d'isolant ni de matériaux combustibles entre les espaceurs coupe-feu du plafond. Conservez toujours les dégagements requis autour des conduits d'évent et l'assemblage de l'espaceur coupe-feu. Installez les écrans muraux et les espaceurs coupe-feu tel que spécifié. Si vous ne gardez pas l'isolant ou tout autre matériau à l'écart du conduit d'évent, un risque d'incendie pourrait s'ensuivre.

## 3.1 installation horizontale

### ! AVERTISSEMENT

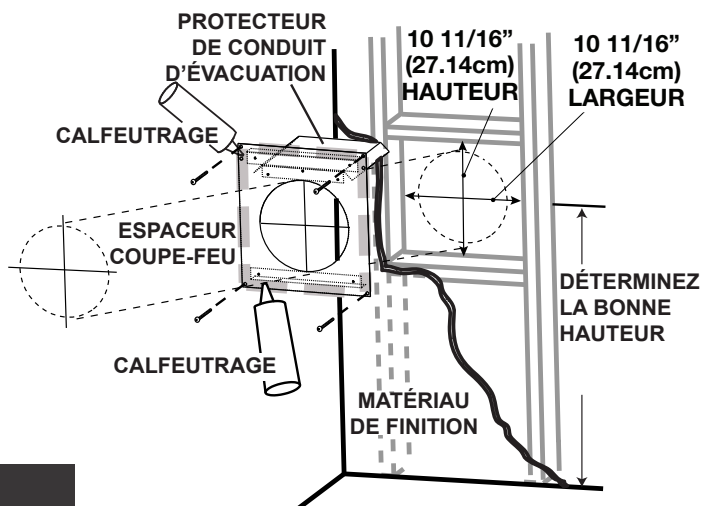
- L'espaceur coupe-feu doit être installé avec l'écran protecteur orienté vers le haut.
- La terminaison ne doit pas être enchâssée dans le mur ou le revêtement extérieur plus que l'épaisseur de la bride de la plaque de montage.

Cette configuration s'applique lorsque le conduit d'évent traverse un mur extérieur. Une fois que vous aurez déterminé la hauteur exacte pour l'emplacement de la terminaison, découpez et charpentez une ouverture dans le mur extérieur, comme illustré, pour permettre l'installation de l'espaceur coupe-feu. Avant de continuer, placez l'espaceur coupe-feu dans l'ouverture pour vous assurer que les supports sur la surface arrière soient placés contre la face intérieure de la pièce charoentre horizontale.

L'écran protecteur peut être taillé pour des murs combustibles qui ont moins de 8 1/2" (215,9mm) de profond, mais doit se prolonger sur toute la profondeur du mur combustible.

#### note:

Ne remplir pas l'espace d'air entre l'espaceur coupe-feu et le mur extérieur avec n'importe quel type de matériaux isolant (e.x., mousse de pulvérisation).



#### note:

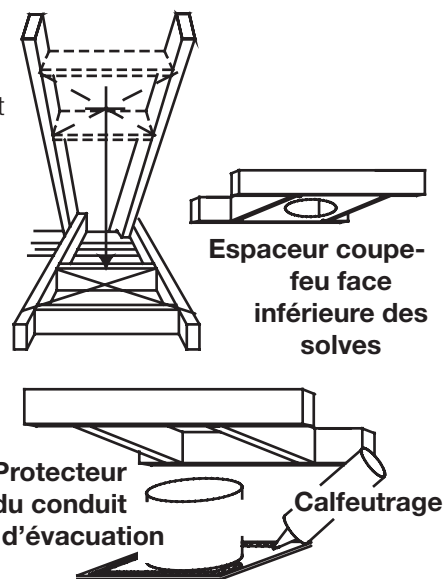
Ce qui précède est uniquement à des fins d'illustration. Les événements ne passent pas toujours par le centre du cadre.

- Fixez l'écran protecteur à l'espaceur coupe-feu tel qu'illustré à l'aide des trois vis courtes fournies.
- Placez la partie supérieure de l'espaceur coupe-feu de façon à ce que l'écran protecteur couvre le haut du conduit d'évent à l'intérieur de l'ouverture. Assurez-vous que l'espaceur coupe-feu et l'écran protecteur conservent le dégagement nécessaire aux matériaux combustibles.
- Fixez en place l'espaceur coupe-feu à l'aide des quatre vis longues fournies. Une fois que le conduit d'évent est en place, appliquez du scellant entre le conduit d'évent et l'espaceur coupe-feu.

## 3.2 installation verticale

Cette configuration s'applique lorsque l'évacuation se fait à travers un toit. Des ensembles d'installation pour les différentes pentes de toit sont disponibles chez votre détaillant autorisé. Voir la section « accessoires » dans le manuel du propriétaire pour commander l'ensemble spécifique dont vous avez besoin.

- Une fois que vous aurez déterminé l'emplacement de la terminaison, découpez et charpentez une ouverture dans le plafond et le toit pour laisser le dégagement minimal de 1" (25,4mm) entre le conduit d'évent et tout matériau combustible. Essayez de positionner le conduit d'évent à mi-chemin entre deux solives pour ne pas être obligé de les couper. Utilisez du fil à plomb pour aligner le centre des ouvertures. Un protecteur de conduit d'évacuation empêchera tout matériau, tel que l'isolant, de remplir l'espace vide de 1" (25,4mm) autour de l'évent. Fixez des entretoises entre les solives pour assurer un support additionnel.
- Appliquez un joint de calfeutrage (non fourni) sur la charpente ou sur le protecteur de conduit d'évacuation Wolf Steel ou l'équivalent (dans le cas d'un plafond fini) et fixez le protecteur de conduit d'évacuation de façon à recouvrir l'ouverture dans le plafond. Un espaceur coupe-feu doit être fixé à la base de chaque ouverture charpente dans un toit ou un plafond par lequel traverse le système d'évacuation.



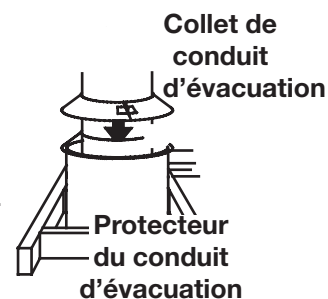
# installation

FR

Appliquez un joint de calfeutrage toute eutour et placez un espaceur coupe-feu par-dessus le protecteur de conduit d'évacuation pour empêcher l'arrivée d'air froid dans la pièce ou autour

de l'appareil. Assurez-vous que l'espaceur coupe-feu et le protecteur de conduit d'évacuation conservent le dégagement nécessaire aux matériaux combustibles. Une fois que le conduit d'évacuation est en place, appliquez une scellant Mill Pac (W573-0007) ou Silicone Rouge (W573-0002) (non fourni) entre le conduit d'évacuation et l'espaceur coupe-feu.

- C. Dans le grenier, faites glisser le collet de conduit d'évacuation vers le bas afin de recouvrir l'extrémité ouverte du protecteur de conduit d'évacuation et serrez. Ceci empêchera tout matériau, tel que l'isolant, de remplir l'espace vide de 1 po (25,4mm) autour de l'évent

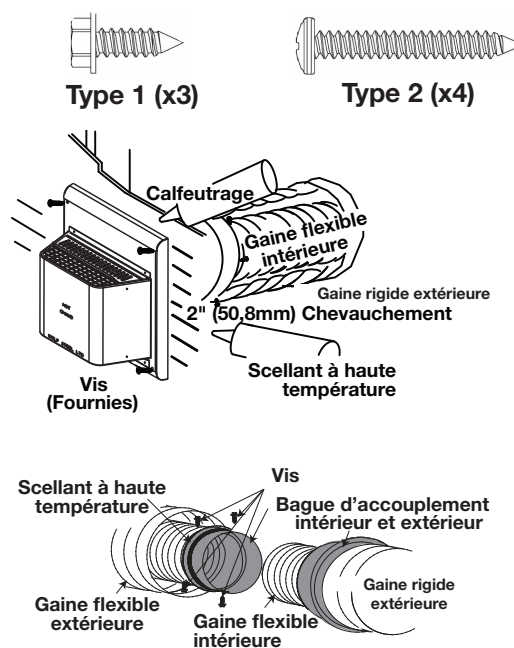


## 3.3 installation de la terminaison horizontale

### ⚠ AVERTISSEMENT

- Les terminaisons ne doivent pas être enchâssées dans un mur ou un revêtement extérieur plus que l'épaisseur de la bride de la plaque de montage.
- Ne laissez pas la gaine flexible se fesser contre les courses horizontales ou verticales et les coudes. Gardez-la tendue.

- A. Étirez la gaine flexible intérieure à la longueur requise en tenant compte de la longueur additionnelle nécessaire pour la surface du mur fini. Appliquez un généreux joint de scellant à haute température Mill Pac (W573-0007) (non fourni). Glissez la gaine flexible sur le manchon intérieur de la terminaison en assurant un chevauchement minimal de 2" (50,8mm) et fixez à l'aide d'une minimum de trois vis.
- B. Installez la gaine flexible extérieure en la glissant sur le manchon extérieur de la terminaison et fixez à l'aide d'une minimum de trois vis. Scellez avec du scellant à haute température RTV rouge (W573-0002) (non fourni).
- C. Insérez les gaines dans le coupe-feu tout en conservant le dégagement nécessaire aux matériaux combustibles. En soutenant la terminaison (les inscriptions étant à l'endroit et lisibles), fixez-la au mur extérieur et rendez-la étanche en la scellant avec du calfeutrage (non fourni).
- D. Si plus de sections de gaine doivent être utilisées pour atteindre l'appareil, raccordez-les ensemble tel qu'illustré. Le système d'évacuation doit être soutenu à environ tous les 3 pieds (0,9m) pour les courses verticales et horizontales. Utilisez des supports incombustibles afin de maintenir le dégagement minimal aux matériaux combustibles.
- E. **Pour les Poêles seulement:** De l'intérieur de la maison, scellez avec du scellant à haute température RTV rouge (W573-0002) (non fourni), entre le conduit d'évent et le coupe-feu. Glissez ensuite le collet de finition noir sur le conduit d'évent jusqu'au coupe-feu.



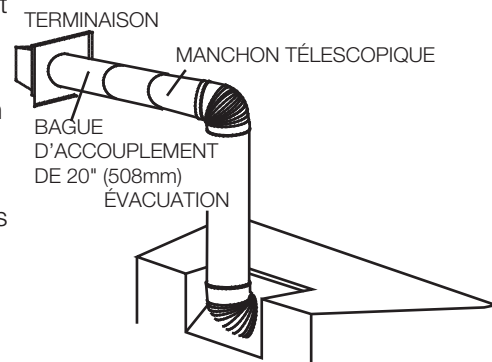
**Les terminaisons ne doivent pas être enchâssées dans un mur ou un revêtement extérieur plus que l'épaisseur de la bride de la plaque de montage.**



## 3.4 installation étendue de la terminaison horizontale en coin

**POUR L'ÉVACUATION DE L'ARRIÈRE SEULEMENT:** Une installation en coin de 45° peut avoir une élévation de 0" (0mm) entre le collet d'air de combustion de l'appareil et la terminaison. Dans ce cas, les longueurs de l'évent ne doivent pas dépasser 24" (61cm). Pour des longueurs d'évent horizontales plus grandes, une élévation verticale d'un minimum de 24" (61cm) est requise.

- A. Suivez les instructions dans le section « installation de la terminaison horizontale ».
- B. Continuez d'ajouter des composants en alternant les conduits intérieurs et les coudes aient suffisamment d'espaceurs et que chaque composant est scellé et fixé solidement à celui qui le précède. Fixez le manchon télescopique à la course de l'évent. Répétez avec le conduits extérieurs. Fixez solidement et scellez. Pour faciliter l'achèvement, fixez des bagues d'accouplement intérieures et extérieures à la terminaison.
- C. Installez la terminaison. Voir le section « installation de la terminaison horizontale ». Étirez le manchon télescopique extérieur et raccordez-le à la terminaison. Fixez le manchon avec des vis autoperceuses et scellez.

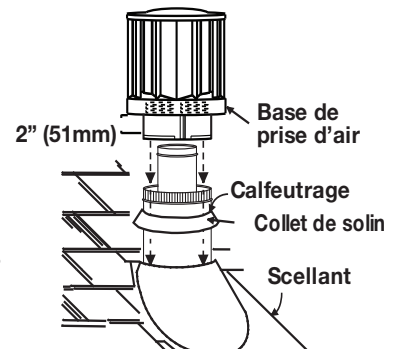
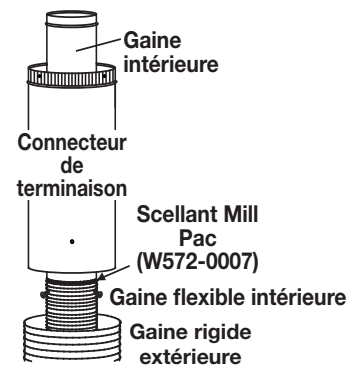
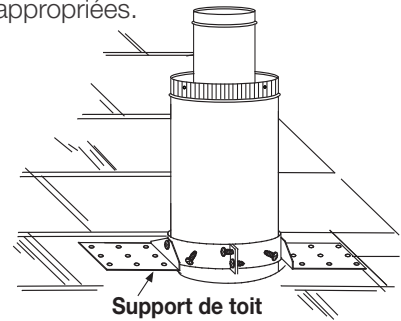


### ! AVERTISSEMENT

- Conservez un espace minimale de 2 po (51mm) entre la base de la prise d'air et le collet de solin.

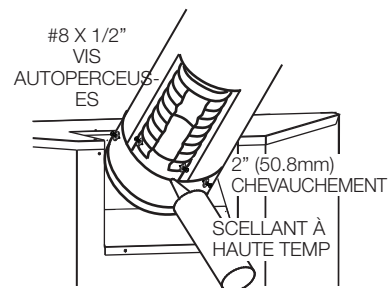
Matériel de fixation fourni avec les ensembles de terminal pour toit et raccord appropriées.

- Fixez le support de toit au toit à l'aide de 6 vis. Le support de toit est optionnel. Dans ce cas, l'évent doit être supporté adéquatement soit en utilisant une méthode alternative se conformant aux normes des autorités compétentes, soit en utilisant le support de toit optionnel.
- Étirez la gaine flexible intérieure à la longueur requise. Glissez la gaine flexible intérieure sur le conduit intérieur du connecteur de terminaison en assurant un chevauchement minimal de 2 po (51mm). Fixez à l'aide d'au moins trois vis, lorsque vous utilisant une évent de 4/7, 5/8 et 3/5 ou une minimum de six vis lorsque vous utilisant une évent de 8/10 ou 8/11. Scellez en appliquant un généreux joint de scellant Mill Pac (W573-0007) (non fourni).
- Répétez avec la gaine flexible extérieure, en appliquant la silicone à haute température rouge (W573-0002) (non fourni) et en utilisant au moins trois vis, lorsque vous utilisant une évent de 4/7, 5/8 et 3/5 ou une minimum de six vis lorsque vous utilisant une évent de 8/10 ou 8/11.
- Faites passer le montage du connecteur de terminaison/gaines flexibles à travers le toit. La terminaison doit être verticale et d'aplomb. Fixez le connecteur de terminaison au support de toit en vous assurant que le dessus de la terminaison excède le côté le plus élevé du toit d'au moins 16" (40,6cm) une fois fixée.
- Enlevez les clous des bardeaux sur le dessus et les côtés du connecteur de terminaison. Placez le solin par-dessus le connecteur de terminaison en laissant un minimum de 3/4" (19,1mm) de connecteur de terminaison visible au-dessus du haut du solin. Glissez le solin sous les côtés et le bord supérieur des bardeaux. Assurez-vous que le connecteur de terminaison est bien centré dans le solin, en laissant une marge de 3/4" (19,1mm) tout autour. Fixez-le au toit. Ne clouez pas à travers la partie inférieure du solin. Imperméabilisez-le en le scellant avec du calfeutrage. Si possible, recouvrez les côtés et le bord supérieur du solin avec des matériaux de couverture.
- Alignez les joints de la terminaison et du connecteur de terminaison et placez la terminaison par-dessus le connecteur de terminaison en vous assurant que le manchon pénètre dans le trou de la terminaison. Fixer avec au moins de trois vis, lorsque vous utilisant une évent de 4/7, 5/8 et 3/5 ou une minimum de six vis lorsque vous utilisant une évent de 8/10 ou 8/11.
- Appliquez un généreux joint de calfeutrage à l'épreuve de l'eau à 2" (51mm) au-dessus du solin. Installez le collet de solin autour de la terminaison et glissez-le jusqu'à la ligne de calfeutrage. Serrez afin d'assurer l'étanchéité entre la terminaison et le collet.
- Si plus de sections de gaine doivent être utilisées pour atteindre l'appareil, voir la section « **installation de la terminaison horizontale** ».



## 3.6 raccordement des événements à l'appareil

- A. Attachez le tuyau télescopique à la dernière section de conduit rigide. Fixez-le avec des vis et scellez.
- B. Fixez-la à l'aide d'au moins trois vis et rondelles lorsque vous utilisant une évent de 3"/5", 4"/7" ou 5"/8" ou une minimum de six vis et rondelles lorsque vous utilisant une évent de 8"/10" ou 8"/11". Scellez le joint et les têtes de vis avec du scellant à haute température W573-0007 (non fourni).
- C. Appliquez un joint de scellant à haute température (non fourni) à l'intérieur de la buse de prise d'air. Glissez le conduit télescopique à l'intérieur de la buse de prise d'air sur une longueur d'au moins 2" (50.8mm).



### note:

Assurez-vous que le scellant n'est pas visible sur les tuyaux extérieurs une fois l'installation terminée. Une bande décorative noire optionnelle est disponible à cet effet. Dans l'éventualité où le système d'évents doit être démonté, il faudra prendre soin de sceller les événements à nouveau.

## 3.7 branchement du gaz

### ! AVERTISSEMENT

- Risque d'incendie, d'explosion, ou d'asphyxie. Assurez-vous qu'il n'y ait aucune source d'allumage comme des étincelles ou une flamme nue.
- Soutenez le contrôle du gaz lorsque vous attachez le tuyau pour éviter de plier la conduite de gaz.
- Allumez toujours la veilleuse, que ce soit pour la première fois ou lorsque l'approvisionnement en gaz est épuisé, avec la porte vitrée ouverte ou retirée. La purge doit être effectuée par un technicien qualifié. Assurez-vous que l'arrivée de gaz au brûleur est continue avant de fermer la porte. Assurez-vous d'une ventilation adéquate pour les emplacements de l'entrée du gaz et de l'entrée électrique, voir la section « dimensions ».
- Lorsque le branchement est terminé, tous les raccords de gaz doivent se trouver à l'intérieur de l'appareil (**foyer de gaz seulement**).
- Les pressions élevées endommageront la soupape. L'alimentation en gaz doit être débranchée pendant les essais de pression de ce système lorsque les pressions d'essai excèdent 1/2 LB/PO<sup>2</sup> (3,5 KPA).
- Les réglages de la soupape ont été faits en usine; ne les modifiez pas.

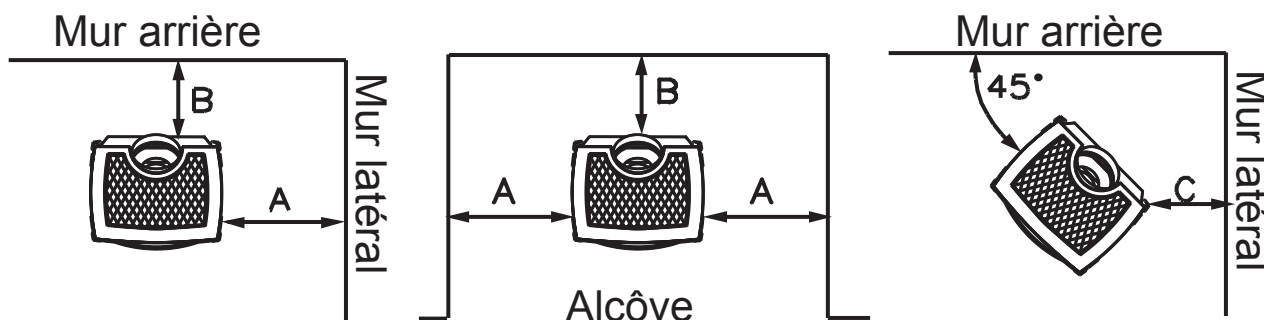
### L'installation et l'entretien doivent être effectuées par un installateur qualifié.

- Mettez l'appareil en place et fixez-le.
- Si l'appareil est muni d'un raccord flexible, celui-ci est conçu pour recevoir une conduite de gaz de 1/2" (13mm). Sans raccord flexible, l'appareil est conçu pour recevoir une conduite de gaz de 3/8" (9,5mm). L'appareil est muni d'une soupape d'arrêt manuelle pour fermer l'alimentation en gaz.
- Branchez le gaz en conformité avec les codes locaux. En l'absence de codes locaux, l'installation doit être conforme au Code d'installation du gaz CAN/CSA-B149.1 dans sa version pour le Canada ou le National Fuel Gas Code, ANSI Z223.1 / NFPA 54 pour les États-Unis.
- Lorsque vous manipulez des conduites de gaz, soutenez la soupape de gaz pour éviter que les conduites ne se plient.
- Le raccord flexible de l'alimentation en gaz devrait être suffisamment mobile pour permettre de placer l'assemblage de brûleur sur le côté pour aider avec l'entretien des composants.
- Vérifiez pour des fuites de gaz en appliquant une solution d'eau savonneuse. **N'utilisez jamais une flamme nue.**

### **! AVERTISSEMENT**

- Afin d'éviter un risque d'incendie, les dégagements minimaux aux matériaux combustibles doivent être maintenus.
- Si l'ossature ou les matériaux de finition se trouvent à une distance inférieure à celle indiquée, ils doivent être faits entièrement de matériaux non-combustibles (c.à.d. poteaux en acier, panneau de ciment, etc.).
- N'obstruez jamais l'ouverture sur le devant de l'appareil.

Tant que les distances requises pour les dégagements aux matériaux combustibles sont respectées, le meilleur endroit pour installer un appareil Napoléon est le centre de la maison, car ceci permet une meilleure utilisation de la chaleur fournie. L'emplacement des fenêtres, des portes et la circulation dans la pièce où se trouve l'appareil devront être pris en considération. Si possible, vous devriez choisir un emplacement où le système d'évacuation peut passer à travers la maison sans avoir à découper les planchers ou les solives du toit.



**A.** 4" (102mm)      **B.** 2" (51mm)      **C.** 2" (51mm)

Du dessus de l'appareil au plafond      48" (1219mm)

#### **Évacuation horizontale:**

Côtés et dessous      1" (25mm)  
 Dessus      2" (51mm)

#### **Évacuation verticale:**

Tous les côtés      1" (25mm)

\*À une distance de 2" (51mm) du mur, il pourrait être difficile d'installer la soufflerie ou d'en faire l'entretien. Un minimum de 5" (127mm) est nécessaire pour installer la soufflerie.

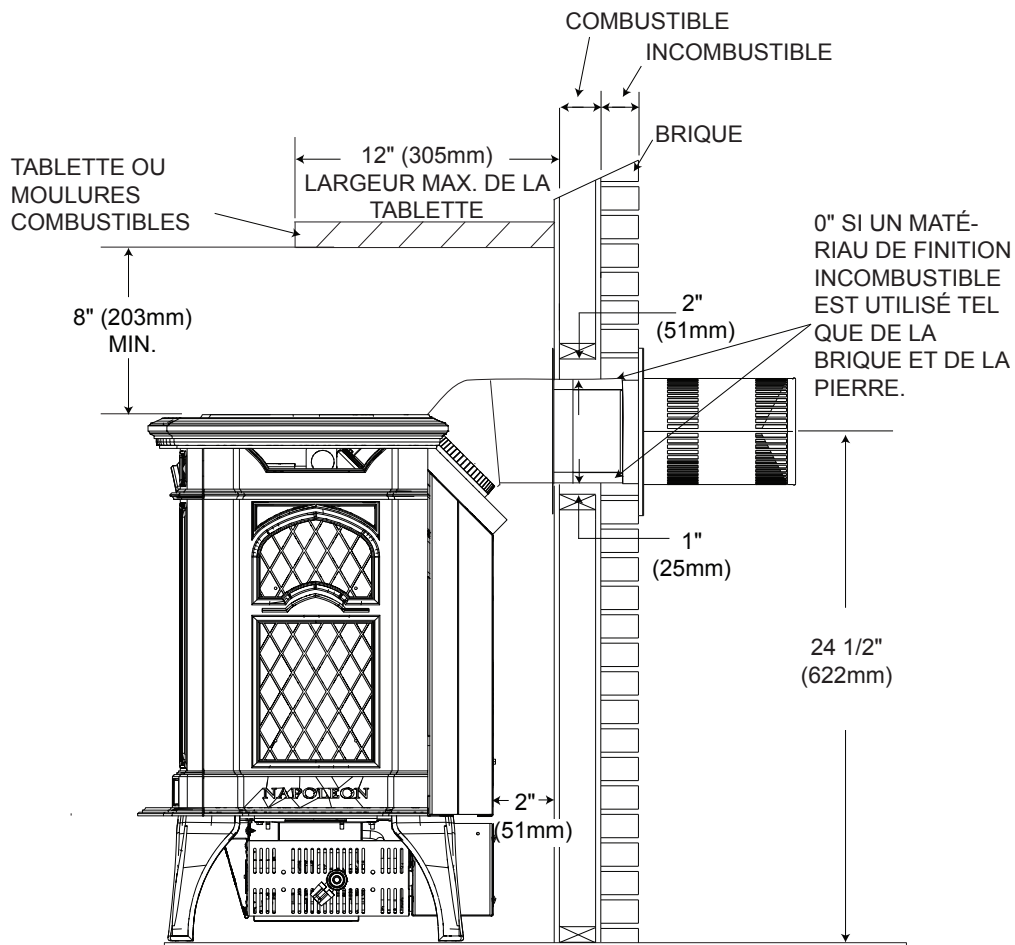
Si le dégagement entre l'arrière de l'appareil et le mur arrière est de moins de 5" (127mm), il sera nécessaire de débrancher les tuyaux d'évent et la conduite de gaz pour déplacer l'appareil lors de l'installation ou de l'entretien de la soufflerie.

### 3.9 dégagements minimaux de la tablette

## ⚠ AVERTISSEMENT

- Risque d'incendie!
- Conservez tous les dégagements aux matériaux combustibles spécifiés.
- Ne pas respecter ces instructions peut causer un incendie ou une surchauffe.
- Assurez-vous que tous les dégagements (c.à.d. arrière, côtés, dessus, événements, tablette, façade, etc.) sont respectés à la lettre.

Lorsque l'évacuation de l'appareil se fait par l'arrière, une tablette peut être installée au-dessus du GDS25 à une distance d'au moins 8" (203mm).



## 4.0 finitions

FR

### **AVERTISSEMENT**

- Risque d'incendie!
- N'obstruez jamais l'ouverture sur le devant de l'appareil.
- Ne frappez pas, ne claquez pas et n'égratignez pas la porte vitrée. Ne faites pas fonctionner l'appareil lorsque la porte vitrée est enlevée, fissurée, brisée ou égratignée.

#### **4.1 installation et enlèvement de la façade en fonte**

### **AVERTISSEMENT**

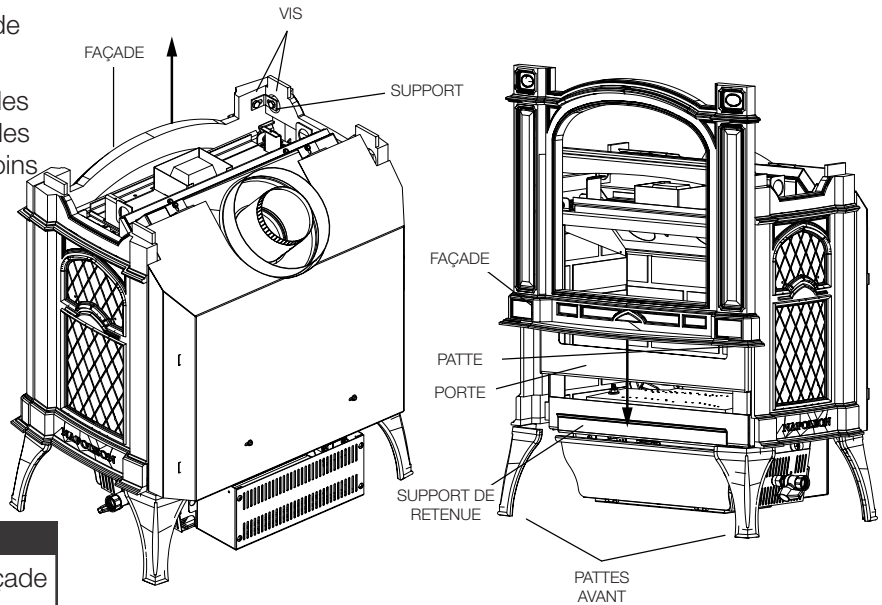
- La vitre peut être chaude.
- Ne pas toucher la vitre jusqu'à ce qu'elle ait refroidi.

- Enlevez l'écran de protection.
- Soulevez et retirez le dessus de l'appareil.
- Détachez la façade en fonte des côtés de l'appareil en retirant les vis des supports situés aux coins supérieurs intérieurs.
- Retirez la façade en la glissant vers le haut.

Pour réinstaller la façade en fonte, suivez les étapes ci-dessus dans l'ordre inverse. Assurez-vous que les pattes situées sous la façade en fonte soient placées derrière les pattes avant de l'appareil.

**note:**

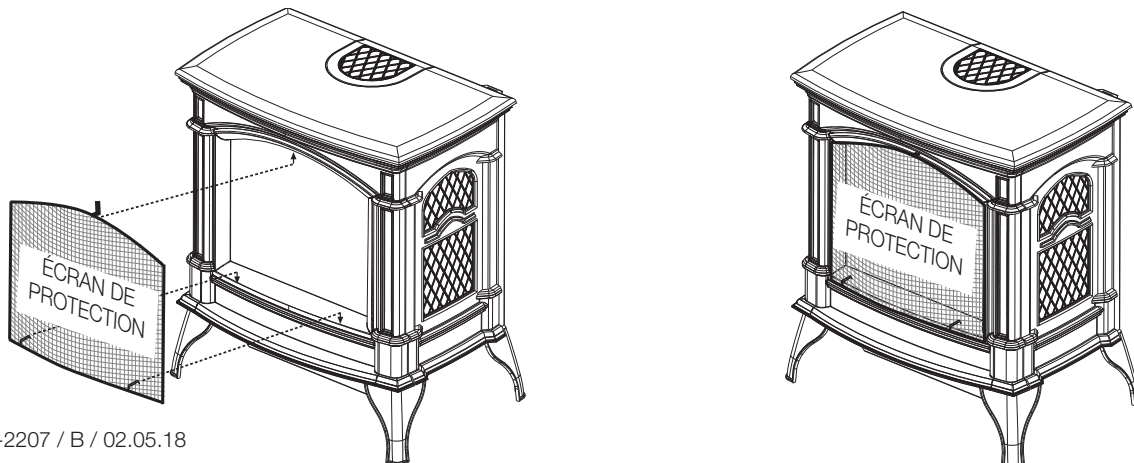
Il n'est pas nécessaire de retirer la façade en fonte pour retirer la porte.



#### **4.2 installation et enlèvement de l'écran de protection**

**Une barrière conçue à réduire le risque de brûlures à partir de la chaude la vitre est à condition que avec l'appareil et sera être installés.**

- Soulevez et retirez le dessus de l'appareil et enlevez l'écran de protection. Enlevez et jetez la plastique.
- Inclinez le dessus de l'écran de protection et fixez sous la coulée haut, assurez-vous de tenir l'écran de protection.
- Soulevez l'inférieur de l'écran de protection et enfoncez sur de l'appareil. Attention à ne pas rayer la coulée de fond.



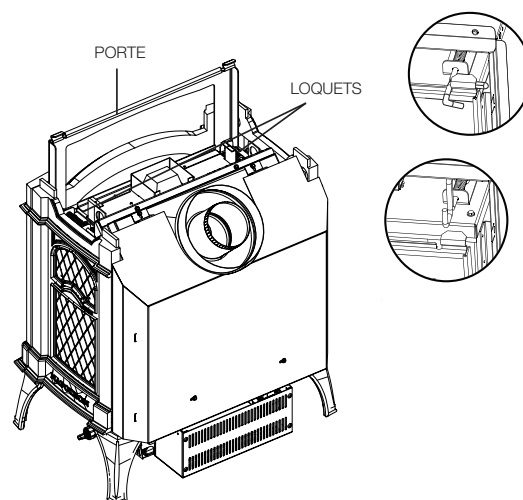
**4.3 installation et enlèvement de la porte vitrée**

**AVERTISSEMENT**

- N'utilisez pas de matériaux substitués.
- La vitre peut être chaude. Ne touchez pas la vitre jusqu'à ce qu'elle ait refroidi.

- Enlevez l'écran de protection.
- Soulevez et retirez le dessus de l'appareil.
- Tirez la poignée et faites-la pivoter de 90°.
- Retirez la porte en la glissant vers le haut.

Pour réinstaller la porte, suivez les étapes ci-dessus dans l'ordre inverse. Avant de verrouiller les loquets, assurez-vous que le bas de la porte est bien installé dans le support de retenue.

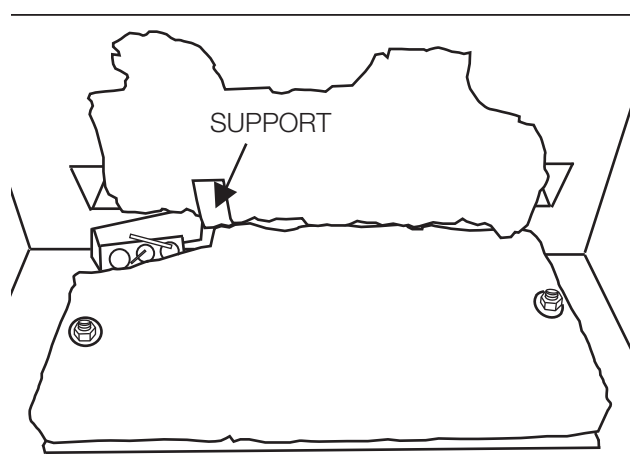
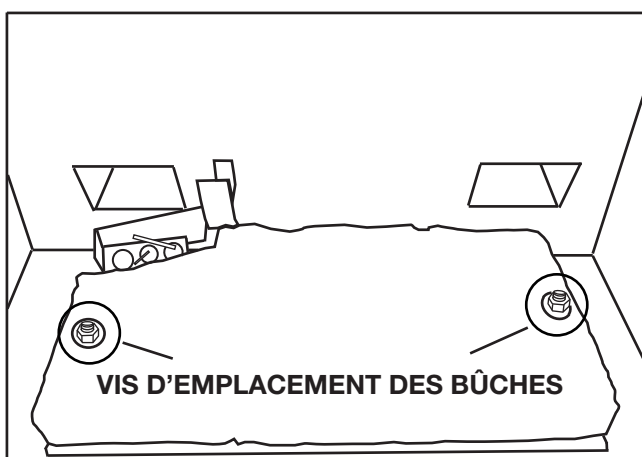


**4.4 disposition des bûches**

**AVERTISSEMENT**

- Les bûches doivent être placées correctement à l'intérieur de l'appareil.
- Ne changez pas la position des bûches, car l'appareil risque de ne pas fonctionner adéquatement.
- Les bûches sont fragiles et devraient être manipulées avec soin.

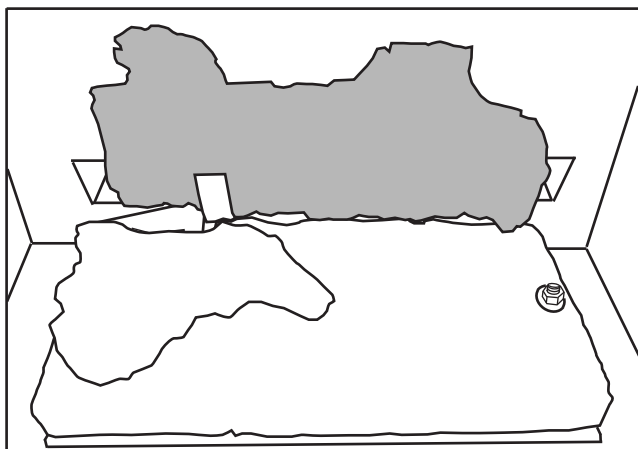
Il n'est pas nécessaire de retirer la façade en fonte, cependant cela facilitera l'installation des bûches. Pour installer les bûches, la porte vitrée doit être enlevée. Voir la section « installation et enlèvement de la façade en fonte / porte vitrée ».



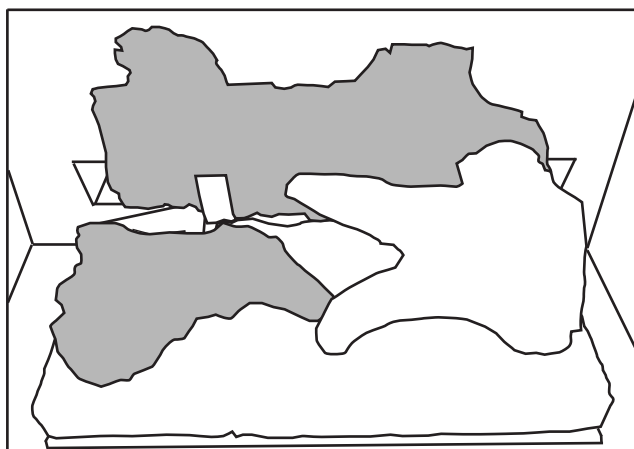
- Placez la bûche arrière sur les supports à bûches arrière tel qu'illustré. Assurez-vous que l'entaille sous le côté gauche de la bûche est placée au-dessus de l'assemblage de la veilleuse. Pliez le support du côté gauche pour aider à retenir la bûche arrière.

# finitions

FR



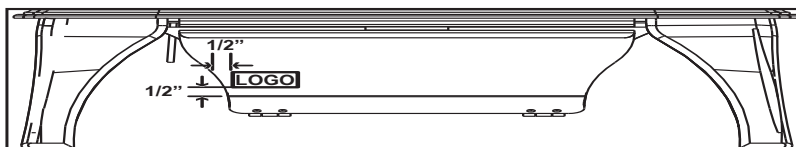
- B. Placez le trou sous la bûche #2 sur la vis de positionnement, du côté gauche du brûleur. Le brûleur en fibre est formé de façon à épouser la partie centrale de la bûche.



- C. Placez le trou sous la bûche #3 sur la vis de positionnement, du côté droit du brûleur. La branche inférieure de la bûche #3 est placée devant et contre l'extrémité droite de la bûche #2.
- D. Réinstallez la porte vitrée et la façade.

## 4.5 mise en place du logo

Retirez le papier dorsal et positionnez le logo sur la porte de commande tel qu'illustré.





## 5.0 installation de la soufflerie optionnelle

FR

### **!** AVERTISSEMENT

- Assurez-vous que l'appareil est complètement refroidi avant de commencer l'installation.
- Afin d'éviter les risques de suffocation, gardez le sac d'emballage loin des bébés et des jeunes enfants.
- Ne le laissez traîner dans les berceaux, les lits, les poussettes, ou les parcs de jeu. Ce sac n'est pas un jouets. Nouez-le avant de le jeter.

- A. Débranchez l'alimentation électrique de l'appareil
- B. Ouvrez la porte de contrôle située au bas, à l'avant de l'appareil (FIG. 1).
- C. Retirez les deux vis servant à fixer le couvercle gauche du boîtier de contrôle (FIG. 2).
- D. Glissez le couvercle du boîtier de contrôle vers la droite, puis retirez-le de l'appareil (FIG. 3 et 4).

FIG. 1

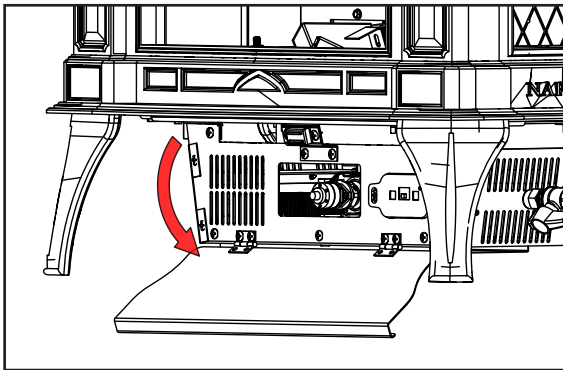


FIG. 2

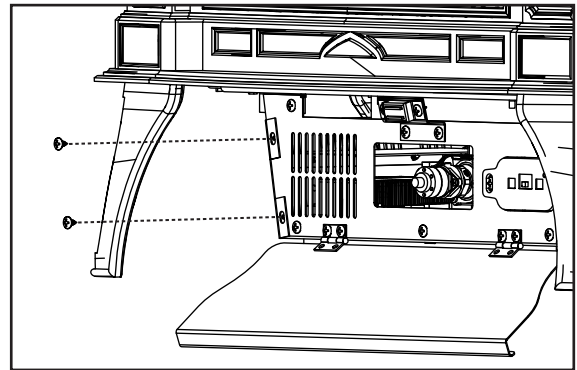


FIG. 3

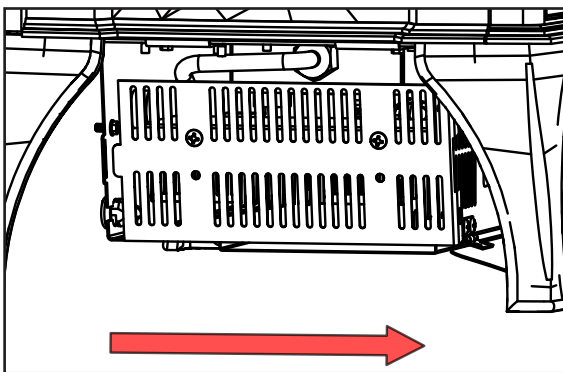
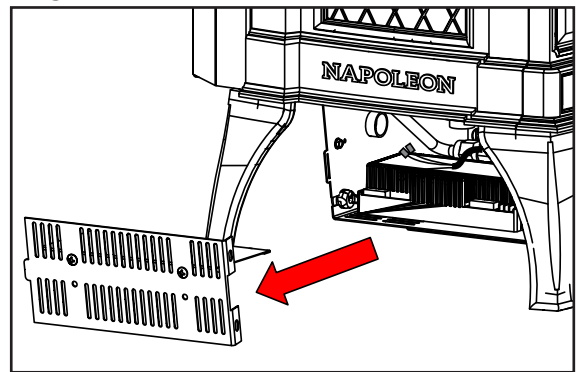


FIG. 4



# installation de la soufflerie optionnelle

FR

- E. Insérez le harnais de fils dans la bague arrière et dans le trou de la soufflerie (FIG. 5 et 6).
- F. Retirez les connecteurs factices du faisceau de câbles.
- G. Branchez les cosses rectangulaires et le fil de mise à la terre (FIG. 7).
- H. Alignez la soufflerie avec l'arrière du boîtier de contrôle et fixez-la avec les deux vis fournies dans l'ensemble (FIG. 8).
- I. Réinstallez le couvercle du boîtier de contrôle au boîtier de contrôle à l'aide des deux vis retirées à l'étape B.
- J. Fermez la porte de contrôle (FIG. 9).
- K. Rebrancher l'alimentation de l'appareil.

FIG. 5

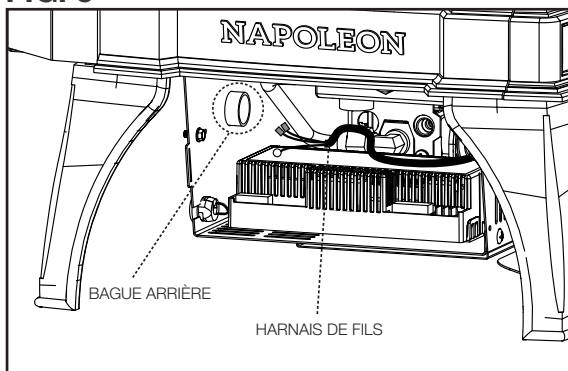


FIG. 6

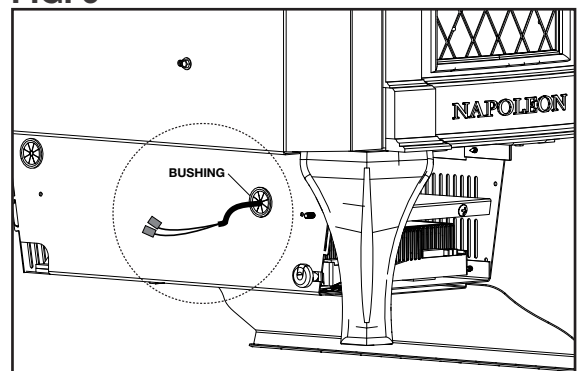


FIG. 7

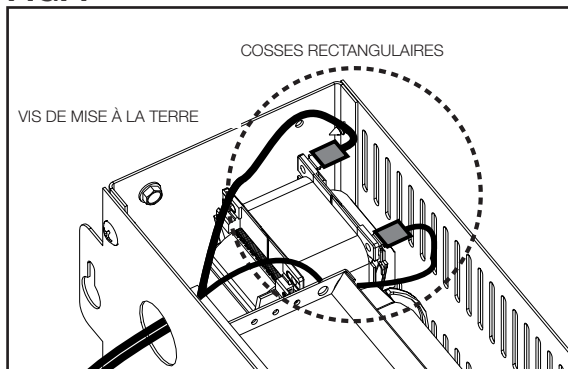


FIG. 8

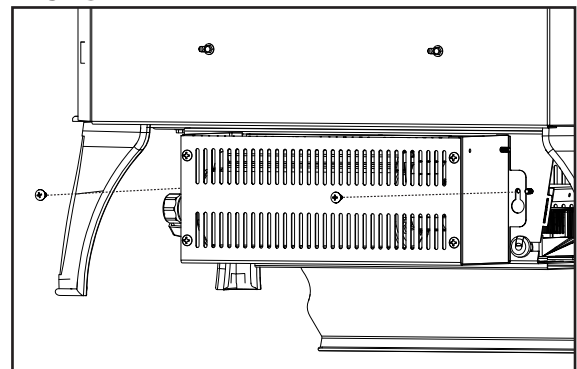
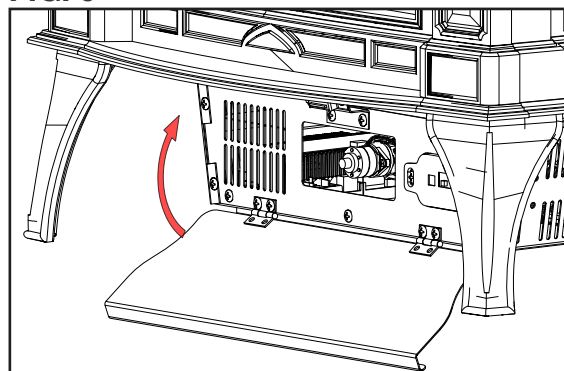


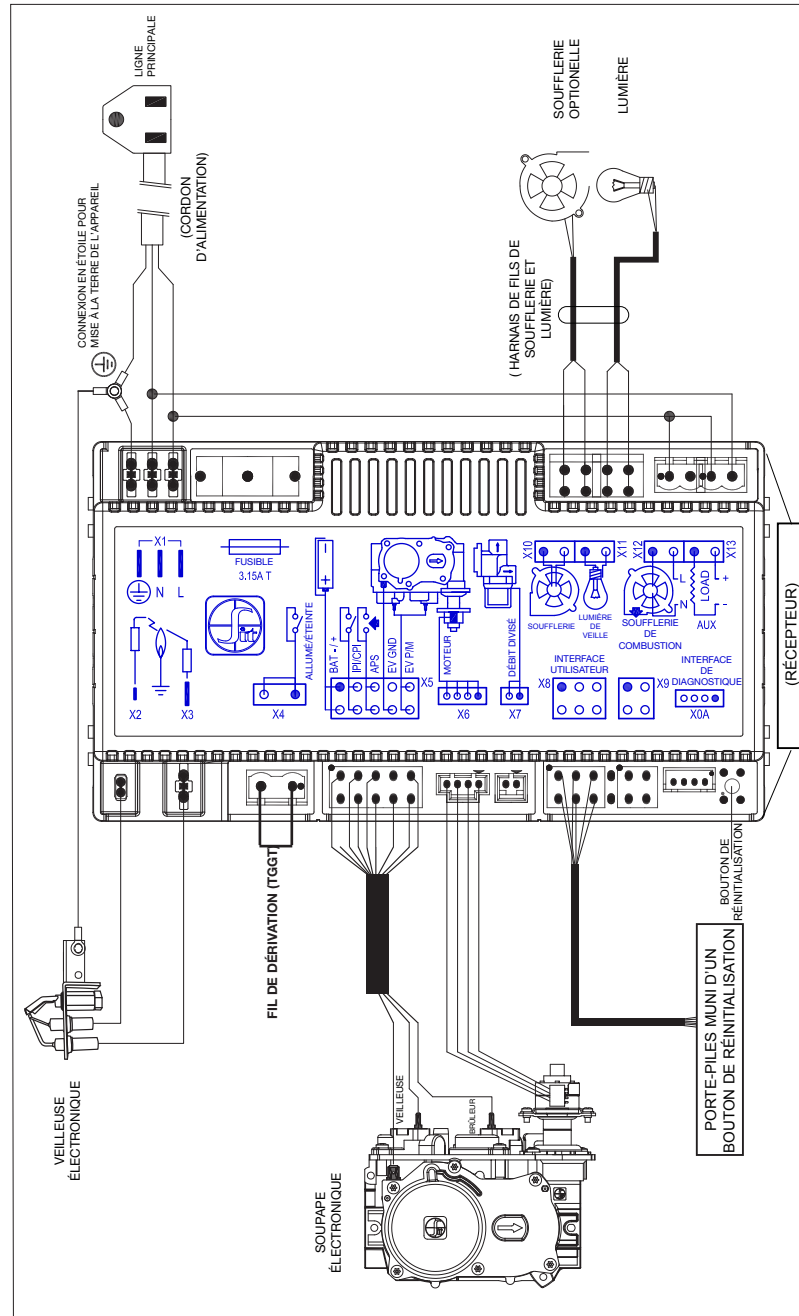
FIG. 9



## AVERTISSEMENT

- Ne raccordez pas l'interrupteur mural ou la soupape de gaz à l'alimentation électrique (110 volts).

Cet appareil doit être raccordé électriquement et mis à la terre conformément aux codes locaux. En l'absence de codes locaux, utilisez la version courante du Code Canadien de l'Électricité CSA C22.1 au Canada ou le national Electrical Code ANSI/NFPA aux États-Unis.



### note:

Fil de dérivation (TGGT) est seulement présent si l'appareil est équipé et opéré avec une télécommande.

### note:

Pour votre protection contre les risques de chocs électriques, cet appareil est muni d'une fiche à trois broches et devrait être branché directement dans une prise de courant à trois fentes mise à la terre. Ne pas couper ou retirer la broche de mise à la terre de cette fiche.

## 7.0 operation

FR

### **! AVERTISSEMENT**

- Si ces instructions ne sont pas suivies à la lettre, un incendie ou une explosion pourraient s'ensuivre, causant des dommages matériels, des blessures corporelles ou des pertes de vie.
- Si applicable, allumez toujours la veilleuse, que ce soit pour la première fois ou lorsque l'approvisionnement en gaz est épuisé, avec la porte vitrée ouverte ou retirée.

Assurez-vous que l'arrivée de gaz au brûleur est continue avant d'installer la porte. Lorsqu'il est allumé pour la première fois, l'appareil dégagera une légère odeur pendant quelques heures. Cela est une condition normale temporaire causée par le conditionnement des bûches et l'évaporation des peintures et lubrifiants internes utilisés dans le processus de fabrication; elle ne se reproduira plus. Après de longues périodes sans utiliser l'appareil, comme à la suite de vacances ou à la fin de l'été, il se peut qu'une légère odeur se dégage pendant quelques heures. Ceci est causé par des particules de poussière brûlant dans l'échangeur de chaleur. Dans les deux cas, ouvrez une fenêtre pour aérer la pièce.

#### **POUR VOTRE SÉCURITÉ, LISTEZ CE QUI SUIT AVANT D'ALLUMER L'APPAREIL:**

- Ne pas allumer si des enfants ou d'autres individus à risque sont à proximité de la veilleuse.
- Cet appareil est équipé d'un dispositif d'allumage qui allume automatiquement la veilleuse. N'essayez pas de l'allumer manuellement.
- Avant d'allumer, sentez autour de l'appareil et près du plancher afin de vous assurer qu'il n'y a pas de fuite de gaz. Certains gaz sont plus lourds que l'air et se déposeront au niveau du plancher.
- N'utilisez pas cet appareil si une partie quelconque a été submergée. Contactez immédiatement un technicien qualifié pour l'inspecter et pour remplacer toute pièce du système de contrôle et du contrôle du gaz qui aurait été submergée.

#### **QUE FAIRE SI VOUS DÉTECTEZ UNE ODEUR DE GAZ**

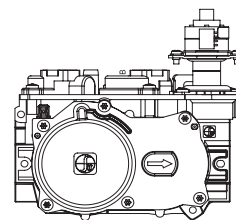
- Coupez l'alimentation en gaz à l'appareil.
- Ouvrez les fenêtres.
- N'allumez aucun appareil.
- Ne touchez à aucun interrupteur électrique; n'utilisez aucun téléphone dans votre immeuble.
- De la maison d'un voisin, appelez immédiatement votre fournisseur de gaz et suivez ses instructions.
- Si vous ne pouvez pas rejoindre votre fournisseur de gaz, appelez le service des incendies.

#### **INSTRUCTIONS D'ALLUMAGE**

##### **note:**

Cet appareil est équipé d'un dispositif d'allumage qui s'allume automatiquement la veilleuse. N'essayez pas de l'allumer manuellement.

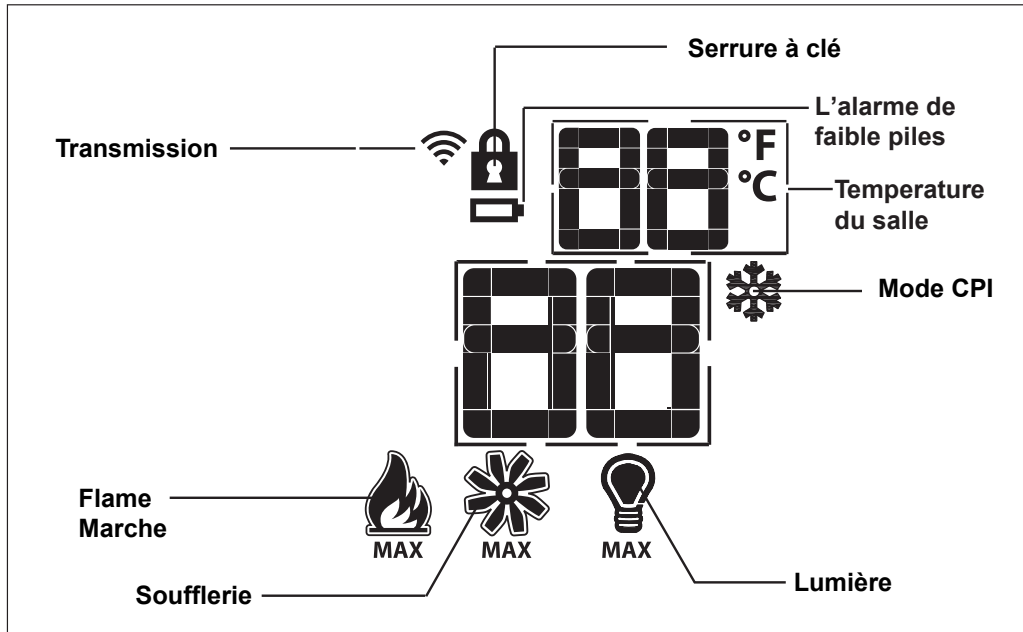
- A.** Arrêtez! Lisez les consignes de sécurité ci-dessus.
- B.** Enlevez tous les piles de la télécommande et réglez le thermostat au réglage minimum, si équipé.
- C.** Coupez l'alimentation électrique à l'appareil.
- D.** Ouvrir la porte de l'appareil, si équipé.
- E.** Tournez le bouton de contrôle du gaz vers la droite à « OFF ». (Elle est situé sur le connecteur flexible).
- F.** Attendez cinq (5) minutes pour que le gaz puisse s'échapper. Si vous détectez une odeur de gaz, incluant au niveau du plancher, **ARRÊTEZ!** et suivez les instructions ci-dessus « QUE FAIRE SI VOUS DÉTECTEZ UNE ODEUR DE GAZ ». Continuez à l'étape suivante si vous ne sentez pas de gaz.
- G.** Tournez le soupape fermeture manuelle vers la gauche à « ON ».
- H.** Rétablissez l'alimentation électrique à l'appareil et installez les piles dans le télécommande, si équipé. Réglez le thermostat à la position désirée, si équipé.
- I.** Tournez l'interrupteur murale de l'appareil à la position « ON ».
- J.** Si l'appareil ne fonctionne pas, suivre les instructions de « couper l'alimentation de gaz » et puis appelez votre technicien de service ou fournisseur de gaz.



#### **COUPEZ L'ALIMENTATION DE GAZ**

- A.** Réglez le thermostat à la réglage le plus bas, si équipé.
- B.** Tournez l'interrupteur murale de l'appareil à la position « OFF ».
- C.** Coupez l'alimentation électrique à l'appareil si un travail d'entretien doit être faites.
- D.** Tournez le soupape fermeture manuelle vers la gauche « OFF ». Ne forcez pas.

## 7.1 dessin général de la télécommande



**note:**

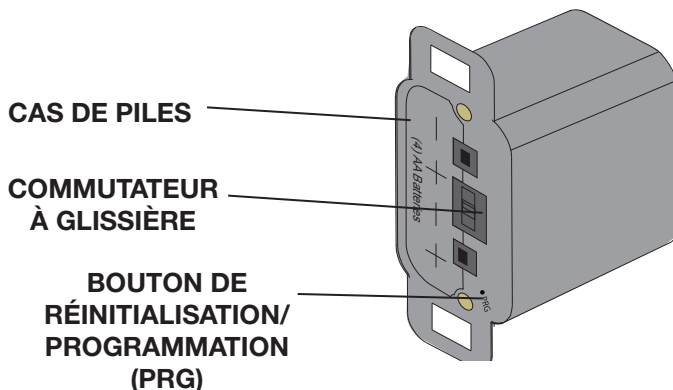
Télécommande est optionnelle avec ce modèle.

## 7.2 première initialisation de la télécommande / bloc-piles

- Installez 4 piles AA dans le bloc-piles du Proflame 2, notez la polarité des piles puis insérez-les comme indiqué sur le couvercle (+/-).
- Assurez-vous que le commutateur à glissière est placé à la position « REMOTE » (position centrale).
- Appuyez sur le bouton réinitialisation/programmation, utilisez un objet de petite taille comme un trombone afin d'atteindre le bouton identifié PRG tel qu'illustré ci-dessous.
- Le bloc-piles émettra trois bips pour indiquer qu'il est prêt à être synchronisé avec la télécommande.
- Installez trois piles AAA dans la télécommande comme illustré ci-dessous, puis appuyez sur la touche « ON ». Le bloc-piles émettra 4 bips pour indiquer que le signal de la télécommande est accepté.

**note:**

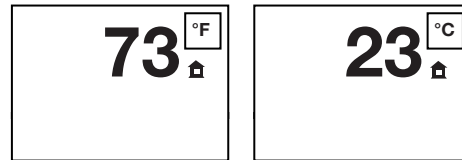
La procédure d'initialisation doit être complétée en moins de 10 seconds après que le bouton réinitialisation / programmation (PRG) ait été appuyé.



# operation

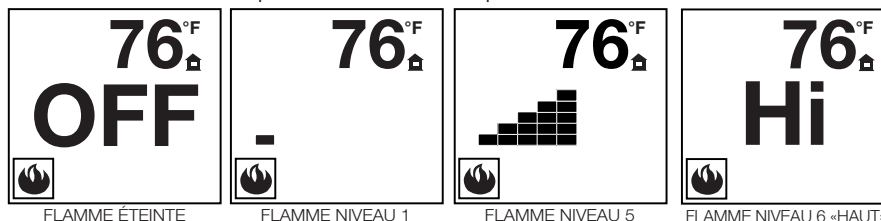
## FR 7.3 afficher de température

- A. Avec le système en position «OFF», appuyez simultanément sur les touches «TEMPÉRATURE» et «MODE» pour passer de l'affichage de la température en Fahrenheit à Celsius.
- B. Vérifiez l'afficheur ACL de la télécommande pour vous assurer que le C ou le F est visible à la droite de l'affichage de la température de la pièce.



## 7.4 hauteur de la flamme

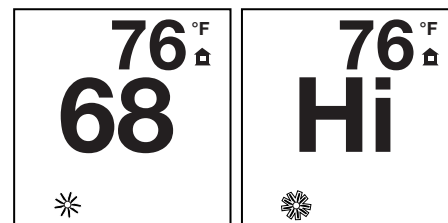
La télécommande comporte six (6) niveaux de flammes. Avec le système en marche et le niveau de la flamme au maximum, appuyez une fois sur la touche bas et cela réduira la hauteur de la flamme d'un niveau jusqu'à ce que la flamme soit éteinte. La touche haut augmentera la hauteur de la flamme chaque fois qu'elle est enfoncée. Si la touche haut est enfoncée lorsque le système est en marche, mais que la flamme est éteinte, la flamme s'allumera en position élevée. Un seul bip confirmera la réception de la commande.



## 7.5 vitesse du ventilateur

Si l'appareil est muni d'une soufflerie, la vitesse de celle-ci peut être contrôlée par le système de télécommande. La soufflerie compte six (6) vitesses.

- A. Utilisez la touche «MODE» pour vous guider vers l'icône de contrôle de la soufflerie.
- B. Utilisez la touche haut/bas pour mettre la soufflerie en marche ou l'arrêter, ou pour régler sa vitesse. Un seul bip confirmera la réception de la commande.



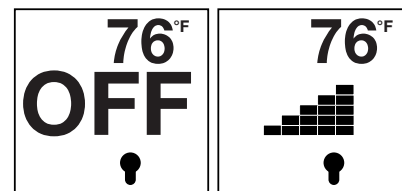
### note:

Quand la vitesse désirée du soufflerie est choisie, la soufflerie allumera automatiquement 5 minutes après le brûleur principal ont été allumées et restent sur douze minutes après lui a été éteint.

## 7.6 veilleuse gradateur accès aux contrôles

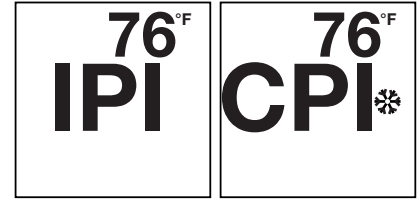
La fonction auxiliaire contrôle le veilleuse avec le contrôle de dimmable.

- A. Utiliser le clé de «mode» pour vous diriger à l'icône du veilleuse.
- B. L'intensité de la production peut être ajustée par 6 niveaux. Utiliser les controls **en haut/en bas** pour ajuster le niveau de puissance. Un seul bip confirmera la réception de l'ordre.



## 7.7 la sélection pilote continu / pilote intermittente (CPI / IPI)

- A. Avec la télécommande à la position « **on** » Utiliser le clé de mode pour vous diriger à l'icône de mode de CPI.
- B. Utiliser les controls **en haut/en bas** pour changer de mode IPI à CPI. Un seul bip confirmera la réception de l'ordre.



### note:

Si votre appareil est équipé avec un CPI/IPI interrupteur à bascule, régler le CPI/IPI à la position de CPI pour rendre capable l'opération du CPI. Si l'interrupteur est placé à IPI, il fonctionnera seulement en IPI indépendamment du réglage sur la télécommande.

## 7.8 fonction de sécurité pour enfants

Cette fonction verrouillera les touches pour empêcher une utilisation non supervisée.

- A. Appuyez simultanément sur les touches « **mode** » et haut.
- B. Pour désactiver cette fonction, appuyez simultanément sur les touches « **mode** » et haut.

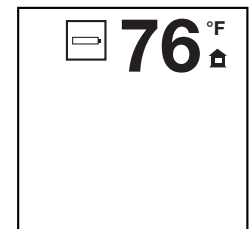


## 7.9 piles faible

La durée de vie des piles peut dépendre de plusieurs facteurs : la qualité des piles, le nombre d'allumages, le nombre de changements de réglage du thermostat de la télécommande, etc. Lorsque les piles de la télécommande sont faibles, l'icône de pile apparaîtra sur l'afficheur ACL avant que les piles soient complètement déchargées. Une fois que les piles sont remplacées, cette icône disparaîtra.

Lorsque les piles du récepteur sont faibles, celui-ci n'émettra pas de bip lorsqu'il recevra une commande **MARCHE/ARRÊT**. Ceci est pour vous signaler que les piles du récepteur sont faibles. Lorsque les piles sont remplacées, le récepteur émettra un « bip » lorsque la touche **MARCHE/ARRÊT** est appuyée.

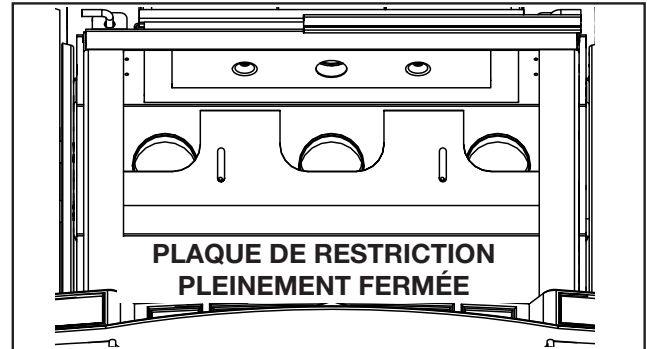
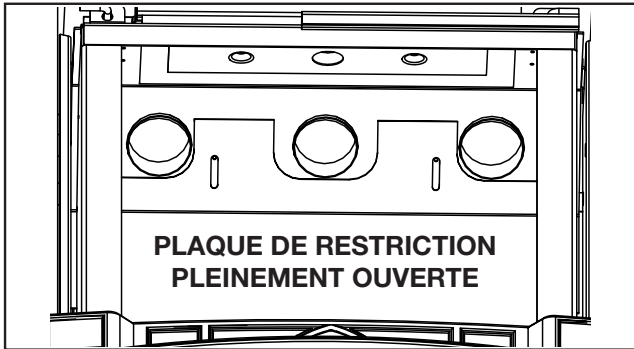
Si les piles dans le bloc-piles ou dans la télécommande sont faibles, vous pouvez allumer l'appareil manuellement en glissant le commutateur à glissière du bloc-piles à la position « **on** ». Ceci contournera la fonction de la télécommande, et le brûleur principal de l'appareil s'allumera si la soupape de gaz est à la position « **on** ».



## 8.0 réglages

### FR 8.1 étranglement des événements verticaux

Les installations verticales peuvent afficher une flamme très active. Desserrez les deux vis et faites glisser la plaque de restriction bloquant le chemin d'échappement. Ceci réduit la vitesse des gaz d'échappement, ralentissant le modèle de flamme et créant un aspect de flamme plus traditionnel. Pour les événements verticaux supérieurs à 15 pi (5 m), ce restricteur doit être complètement fermé.



### 8.2 réglage du venturi

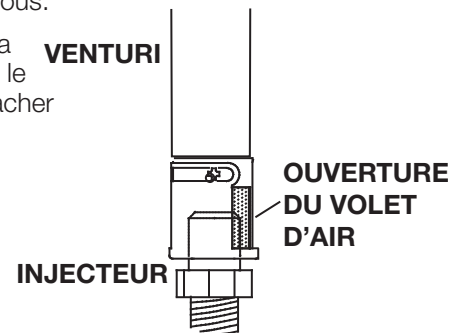
L'ouverture du volet d'air a été pré réglée en usine selon le tableau ci-dessous :

Indépendamment de l'orientation du venturi, plus le volet est fermé, plus la flamme est jaune et aura tendance à causer des dépôts de carbone. Plus le volet est ouvert, plus la flamme est bleue et plus elle a tendance à se détacher des orifices du brûleur. La flamme peut ne pas être jaune immédiatement; allouez de 15 à 30 minutes pour que la couleur finale de la flamme se stabilise.

**LE RÉGLAGE DU VOLET D'AIR DOIT ÊTRE EXÉCUTÉ PAR UN TECHICIEN OU INSTALLATEUR QUALIFIÉ!**

**note:**

Il est important que l'injecteur soit correctement inséré dans le venturi.



Retirez les 2 vis qui servent à fixer le brûleur. L'ouverture du volet d'air a été pré réglée en usine selon le tableau de réglage du venturi. Ces réglages sont pour une course maximale avec terminaison horizontale. D'autres réglages peuvent être nécessaires selon le type de gaz utilisé, la configuration d'évacuation et l'altitude. Une fois les réglages terminés, remettez en place le brûleur en vous assurant que le venturi est bien placé par-dessus l'injecteur de brûleur puis réinstallez les vis.

**TABLEAU DE RÉGLAGE DU VENTURI**

COMBUSTIBLE	GDS25-1
GN	5/16" (8mm)
P	7/16" (11mm)

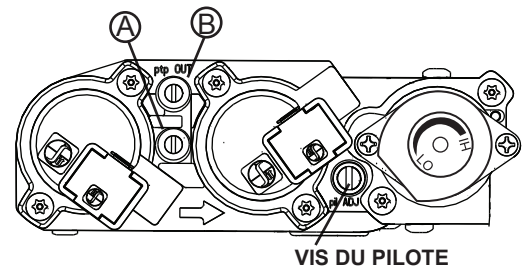
### 8.3 réglage de la veilleuse

Ajustez la vis de la veilleuse pour obtenir une flamme de taille normale. Tournez vers la droite pour réduire l'apport de gaz.

**Vérifiez la pression:**

Pour vérifier la pression d'arrivée, tournez la vis (A) vers la gauche deux à trois tours puis emboîtez le tube du manomètre sur la pointe d'essai. Le manomètre doit indiquer la pression comme décrit sur le diagramme ci-dessous. Vérifier la pression avec brûleur principal sur « HI ».

La vérification de la pression de sortie s'effectue comme ci-dessus en utilisant la vis (B). Le manomètre doit indiquer la pression comme décrit sur le diagramme ci-dessous. Vérifier la pression avec le brûleur principale sur « HI ».





**Après avoir pris la lecture des pressions, assurez-vous de tourner fermement les vis vers la droite pour sceller. Ne serrez pas trop fort.**

Vérifiez pour des fuites en appliquant une solution d'eau savonneuse.

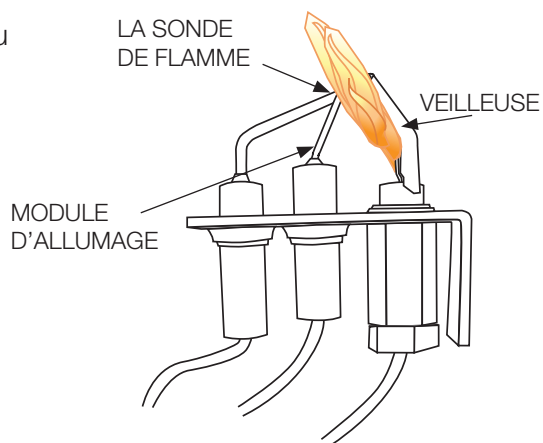
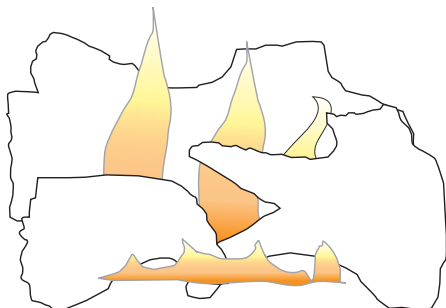
Avant d'effectuer le réglage de la veilleuse, assurez-vous que l'assemblage de la veilleuse n'a pas été peint. S'il y a des traces de peinture ou de surpulvérisation, enlevez-les de l'assemblage de la veilleuse ou remplacez-le. Une toile d'émeri ou un tampon récurage (comme Scotch-Brite™) peut être utilisé pour enlever la peinture sur la hotte de la veilleuse, sur l'électrode et sur la capteur de flamme.

Pression	Gaz Naturel (pouces)	Gaz Naturel (millibars)	Propane (pouces)	Propane (millibars)
Arrivée	*7" (minimum 4,5")	17,4mb (minimum 11,2mb)	13" (minimum 11")	32,4mb (minimum 27,4mb)
Sortie	3,5"	8,7mb	10"	24,9mb

**\* Pression d'alimentation maximale ne devrait pas dépasser 13"**

## 8.4 caractéristiques de la flamme

Il est important d'effectuer périodiquement une inspection visuelle de la flamme de la veilleuse et du brûleur. Comparez-les à ces illustrations. Si des flammes paraissent anormales, contactez un technicien de service.



LA FLAMME DOIT ENVELOPPER LA PARTIE SUPÉRIEURE DE LA SONDE DE FLAMME DE 3/8 po (9.5MM) À 1/2 po (12.7MM)

## 9.0 entretien

FR

### AVERTISSEMENT

- Coupez l'alimentation en gaz et l'alimentation électrique avant de procéder à l'entretien de l'appareil.
- L'appareil peut être chaud. Attendez qu'il soit refroidi avant d'en faire l'entretien.
- N'utilisez pas de produits abrasifs.
- Ne peignez pas l'assemblage de la veilleuse.

Cet appareil et son système d'évacuation devraient être inspectés avant la première utilisation et au moins une fois l'an par un technicien de service qualifié. Les vérifications suggérées doivent être effectuées par un technicien qualifié. L'espace entourant l'appareil doit être gardé propre et libre de matériaux combustibles, d'essence ou d'autres liquides et vapeurs inflammables. Les apports d'air comburant et d'air de connection ne doivent pas être obstrués.

#### note:

Attention: Lors de l'entretien des contrôles, assurez-vous d'identifier chacun des fils avant de les débrancher. Une réinstallation incorrecte des fils peut occasionner un mauvais fonctionnement et être dangereuse.

1. Pour nettoyer le brûleur principal et la veilleuse adéquatement, il faut retirer les bûches, les roches ou la vitre afin de dégager les deux ensembles.
2. Gardez le compartiment des contrôles, les composants décoratifs, le brûleur, le volet d'air et l'espace entourant les bûches propres en brossant ou en passant l'aspirateur au moins une fois l'an.
3. Assurez-vous que tous les orifices des brûleurs produisent des flammes. Nettoyez tous les orifices qui n'ont pas de flamme ou dont la flamme ne brûle pas adéquatement.
4. Assurez-vous que la flamme de la veilleuse est assez puissante pour envelopper la sonde de flamme et/ou le thermocouple/thermopile et qu'elle atteigne le brûleur.
5. Si votre appareil est fourni avec une écran de protection, le nettoyage peut être nécessaire en raison d'un excès de poussière / peluches des tapis, animaux, etc. utilisez un l'attachement du brosse sur aspirateur pour nettoyer l'écran.
6. Si votre appareil est fourni avec les détendeur de portes assurez-vous que le système fonctionne efficacement. Assurez que le joint d'étanchéité n'est pas usé ou endommagé. Remplacer si nécessaire.
7. Remettez en place les bûches, les roches ou la vitre nettoyées, si équipé. Omettre de positionner les composants décoratifs adéquatement peut causer des dépôts de carbone qui peuvent se déposer à l'intérieure de la chambre de combustion et sur les surfaces extérieures entourant d'évent.
8. Vérifiez si le brûleur principal allume sur tous les orifices lorsque le bouton de contrôle du gaz est à « ON ». Un temps d'allumage total de 5 à 10 secondes est satisfaisant. Si l'allumage prend plus de temps, consultez votre revendeur agréé ou du distributeur.
9. Inspectez visuellement l'appareil pour des dépôts de carbone. À l'aide d'une balayette ou d'une brosse, enlevez le carbone et aspirez-le avec un aspirateur ou mettez-le au rebut.
10. **Cette étape n'est pas pour les appareils d'événements libres:** Vérifiez que l'appareil correctement mise à l'évent. Vérifiez que le système de cheminée est sûr et accessible. (Si pour auqu'un raison le système d'air est démonter, installez et scellé conformément aux instructions d'installation fournies).



## 9.1 entretien annuel

### AVERTISSEMENT

- Le caisson devient très chaud lors du fonctionnement. Laissez l'appareil se refroidir complètement ou portez des gants antichaleur avant d'effectuer l'entretien.
  - Ne jamais aspirer des braises qui sont chaudes.
  - Ne peignez pas l'assemblage de la veilleuse.
- Cet appareil nécessite un entretien qui devra être effectué sur une base annuelle.
  - L'entretien devrait inclure un nettoyage, le remplacement des piles, une inspection du système d'évent, du brûleur, des éléments décoratifs internes et de la chambre de combustion. Consultez la section pour l'enlèvement de la porte et retirez la porte comme indiqué. Consultez la section pour l'enlèvement de l'écran de protection et retirez la porte comme indiqué.
  - Enlevez soigneusement les éléments décoratifs internes s'il y a lieu (bûches, braises de verre, panneaux de brique, etc.)
  - À l'aide d'un aspirateur muni d'une brosse souple, aspirez les saletés, les débris et les dépôts de carbone sur les bûches, la chambre de combustion et le brûleur. Pour les braises de verre, suivez les instructions de prénettoyage.

#### note:

- Vous devrez nettoyer le capteur de flamme à l'aide d'un morceau de laine d'acier ou un tampon récurage (Scotch-Brite™) afin de retirer toute trace d'oxydation. Nettoyez l'assemblage du pilote à l'aide d'un aspirateur muni d'une brosse souple. Il est important de ne pas peindre l'assemblage de la veilleuse.
- Enlevez aussi tout dépôt se trouvant sur l'assemblage de la veilleuse et aussi, s'il y a lieu, sur la thermopile, le thermocouple, le capteur de flamme et l'allumeur.
  - Inspectez tous les joints d'étanchéité accessibles et remplacez-les au besoin.
  - Accédez à la soufflerie, s'il y a lieu, puis nettoyez à l'aide d'une brosse souple et d'un aspirateur.
  - Réinstallez tous les composants dans l'ordre inverse.
  - Inspectez le système de surpression. L'appareil dissipe la pression par la porte vitrée ou par les clapets sur le dessus du caisson. Assurez-vous qu'ils ouvrent sans restriction et qu'ils ferment de façon étanche. Si la vitre de la porte est fissurée, remplacez-la. Seulement utiliser le verre fourni par votre détaillant autorisé.
  - Vérifiez si la soupape de gaz de la veilleuse et les boutons Hi / Lo bougent librement (s'il y a lieu) - remplacez-les si vous constatez de la rigidité dans le mouvement.
  - Vérifiez tous les branchements du gaz pour des fuites de gaz, en amont et en aval de la soupape de gaz incluant les connexions du tube de la veilleuse.

# entretien

FR

## 9.2 remplacement de la lumière de veille

Cet appareil est équipé d'une lumière de veille.

Si vous devez remplacer l'ampoule ou la lentille, suivez les instructions suivantes.

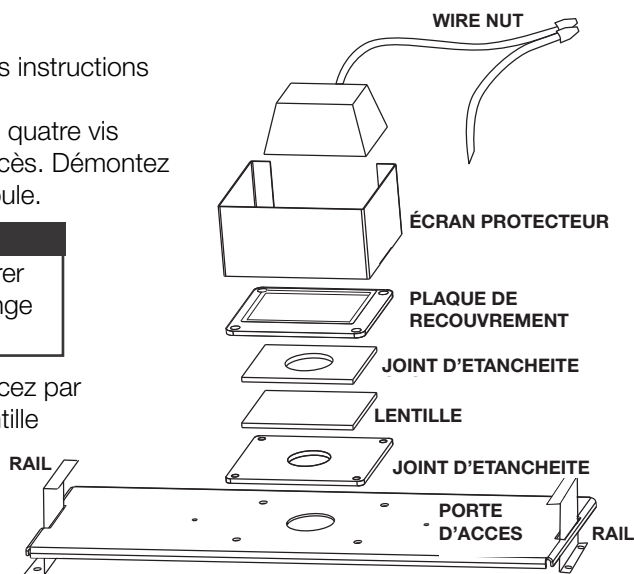
Débranchez les deux fils à partir du serre-fils. Retirez les quatre vis servant à fixer l'assemblage de la lumière à la porte d'accès. Démontez l'assemblage. Vous pouvez maintenant accéder à l'ampoule.

### note:

Lorsque vous manipulez l'ampoule, ne la laissez pas entrer en contact direct avec vos doigts, protégez-la avec un linge propre et sec.

L'ampoule s'enlève en la tirant hors de la douille. Remplacez par des pièces Wolf Steel uniquement, car l'ampoule et la lentille sont des produits spécialement conçus pour les hautes températures.

Lors de la réinstallation, vérifiez l'intégrité du joint d'étanchéité.



### LA CHAMBRE DE COMBUSTION DOIT ÊTRE SCELLÉE.

Lors du réassemblage de la lumière, manipulez les joints d'étanchéité avec soin. Il est possible que des « fuites de lumière » soient visibles au-dessus des portes en fonte. Les trous dans le boîtier de la lumière sont nécessaires à la ventilation et ne doivent pas être couverts.

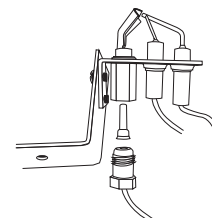
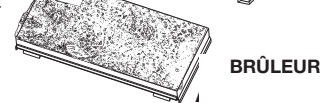
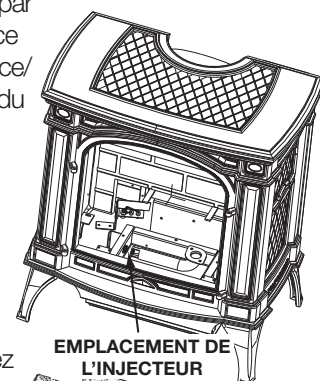
## 9.3 remplacement de l'injecteur de veilleuse et de l'injecteur de brûleur

### ⚠ AVERTISSEMENT

- Allumez toujours la veilleuse, que ce soit pour la première fois ou lorsque l'approvisionnement en gaz est épuisé, avec la porte vitrée ouverte ou retirée.

Ceci doit être effectué par un REPRÉSENTANT AUTORISÉ DE WOLF STEEL LTÉE ou par un INSTALLATEUR DE GAZ QUALIFIÉ conformément aux codes locaux ou en l'absence de codes locaux, conformément aux exigences des autorités compétentes de la province/état et conformément aux exigences du Code d'installation CAN1-B149 au Canada et du National Fuel Gas Code ANSI Z223.1 aux États-Unis.

- Coupez l'alimentation électrique et en gaz à l'appareil.
- Retirez la façade en fonte, la porte vitrée et les bûches.
- Retirez les deux vis de fixation, glissez le brûleur vers la droite, soulevez puis retirez.
- Retirez l'injecteur de brûleur principal en utilisant une clé à douille longue. Utilisez une clé en même temps sur le collecteur situé sous le boîtier pour vous assurer que le tube d'aluminium ne se tord ou ne se plie. Remplacez l'injecteur de brûleur en utilisant un composé à joint.
- Desserrez l'écrou puis remplacez par l'injecteur de veilleuse approprié.
- Réinstallez le brûleur en vous assurant que le venturi est bien placé par-dessus l'injecteur de brûleur.
- Ouvrez l'alimentation en gaz et vérifiez pour des fuites de gaz en appliquant une solution d'eau savonneuse. **N'utilisez pas une flamme nue.**
- Remettez en place les bûches. Allumez ensuite la veilleuse et le brûleur principal afin de vous assurer que les conduites de gaz ont bien été purgées.
- Réinstallez la porte vitrée et la façade en fonte. Rétablissez l'alimentation électrique à l'appareil.



## 9.4 soins de la vitre

### AVERTISSEMENT

- Nettoyer pas la vitre lorsqu'elle est chaude! N'employez pas de détergents abrasifs pour nettoyer la vitre.

Polissez légèrement à l'aide d'un linge propre et sec pour enlever la poussière et les traces de doigts. Nettoyez les deux côtés de la vitre avec un nettoyeur sans ammoniac après les dix premières heures de fonctionnement.

**note:**

Les nettoyeurs à base de vinaigre procurent habituellement une surface propre et sans traces.

Par la suite, nettoyez aussi souvent qu'il le faudra, sinon la vitre risque de rester marquée en permanence.

Ne touchez pas la surface intérieure ou extérieure de la vitre avec des lames de rasoir, de la laine d'acier ou d'autres objets métalliques puisque la mince couche de métal retirée de l'objet pourrait se déposer sur le revêtement causant une décoloration ou une égratignure. Plus important encore, cela peut rayer la surface du verre réduisant ainsi sa puissance.

Ne pas faire fonctionner l'appareil avec la vitre brisée, les fuites de gaz de combustion peut résulter.

Contactez votre détaillant local autorisé pour les instructions de nettoyage complètes.

Si la vitre devait fissurer pendant que le feu brûle, n'ouvrez pas la porte jusqu'à ce que le feu s'éteigne et n'utilisez pas l'appareil jusqu'à ce que la vitre ait été remplacée par une nouvelle, disponible chez votre détaillant autorisé. **N'UTILISEZ PAS DE MATÉRIAUX SUBSTITUTS.**

L'appareil est muni d'une vitre 5mm en verre céramique Remplacez uniquement avec une pièce pour le foyer disponible chez votre détaillant autorisé. **N'UTILISEZ PAS DE MATÉRIAUX SUBSTITUTS.**

## 9.5 soins des pièces plaquées

Si l'appareil est muni de pièces plaquées, vous devez enlever toutes traces de doigts ou autres marques des surfaces plaquées avant d'allumer l'appareil pour la première fois. Utilisez les nettoyeurs sans ammoniac ou à base de vinaigre. Si la surface plaquée n'est pas bien nettoyée avant le premier allumage de l'appareil, elle risque de rester marquée en permanence. Une fois que la surface plaquée aura chauffé, les traces de doigts et le gras n'affecteront plus la surface et très peu d'entretien sera requis; vous n'aurez qu'à l'essuyer au besoin. Une combustion prolongée à haute température avec la porte ouverte peut causer une décoloration des pièces plaquées.

**note:**

L'emballage de protection sur les pièces plaquées s'enlève mieux lorsque l'assemblage est à température ambiante ou lorsqu'il est chauffé (c.à.d. avec un séchoir à cheveux ou une autre source de chaleur similaire).

## 10.0 rechanges

FR

### **AVERTISSEMENT**

- Omettre de positionner les pièces conformément à ce manuel ou d'utiliser uniquement des pièces spécifiquement approuvées pour cet appareil peut causer des dommages matériels ou des blessures corporelles.

Contactez votre détaillant pour les questions concernant les prix et la disponibilité des pièces de remplacement. Normalement, toutes les pièces peuvent être commandées chez votre détaillant autorisé.

**Pour un remplacement de pièce sous garantie, une photocopie de la facture originale sera requise afin de pouvoir honorer la demande.**

Lorsque vous commandez des pièces, donnez toujours l'information suivante:

- Modèle et numéro de série de l'appareil
- Date d'installation de l'appareil
- Numéro de la pièce
- Description de la pièce
- Fini

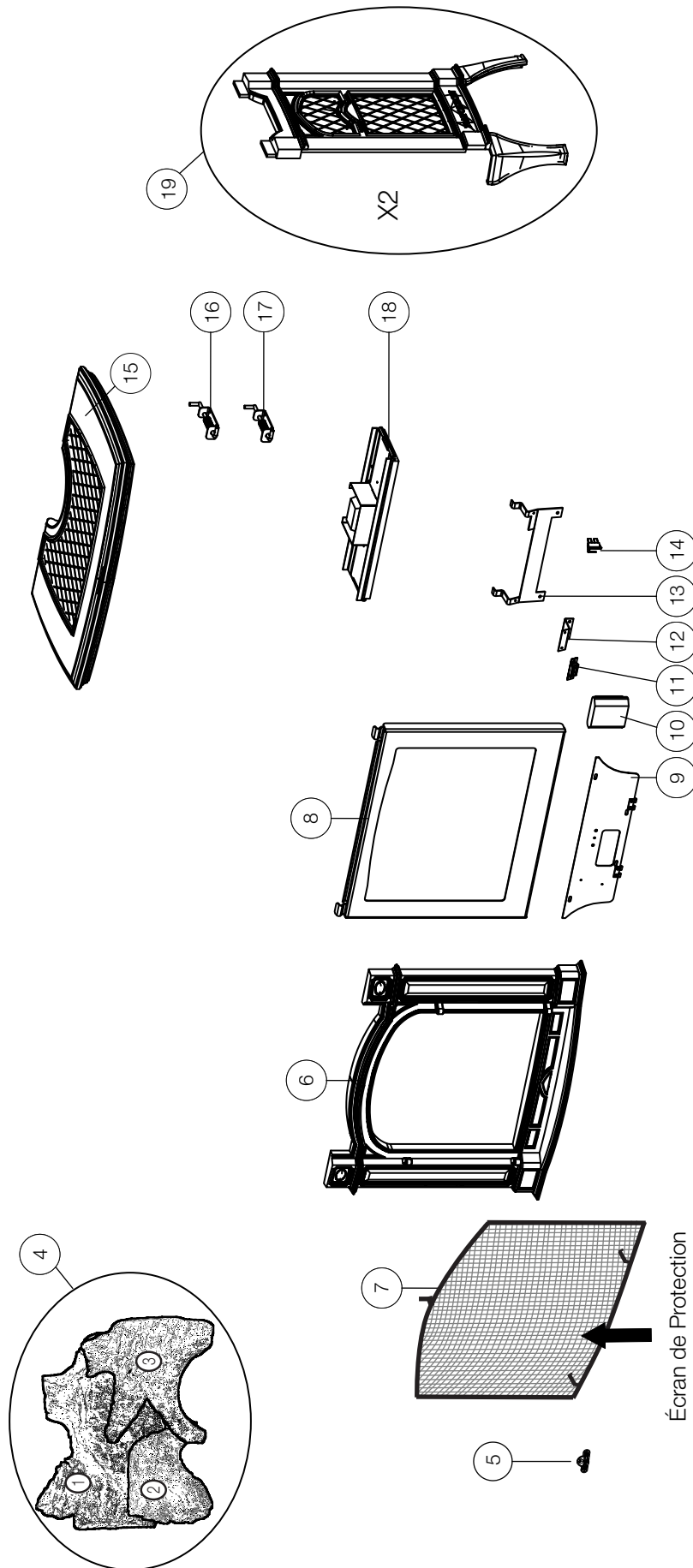
**Pièces, numéro des pièces et s'il soit disponible peut changer sans préavis.**

**Parties identifiées comme garnie seront livrés dans 2 à 5 jours pour la plupart des destinations de livraison.**

**Pièces non identifiées que stockés seront livrés dans un délai de 2 à 4 semaines pour la plupart des cas.**

**Pièces identifiées comme « SO » sont commande spéciale et peuvent prendre jusqu'à 90 jours pour la livraison.**

10.1 vue d'ensemble

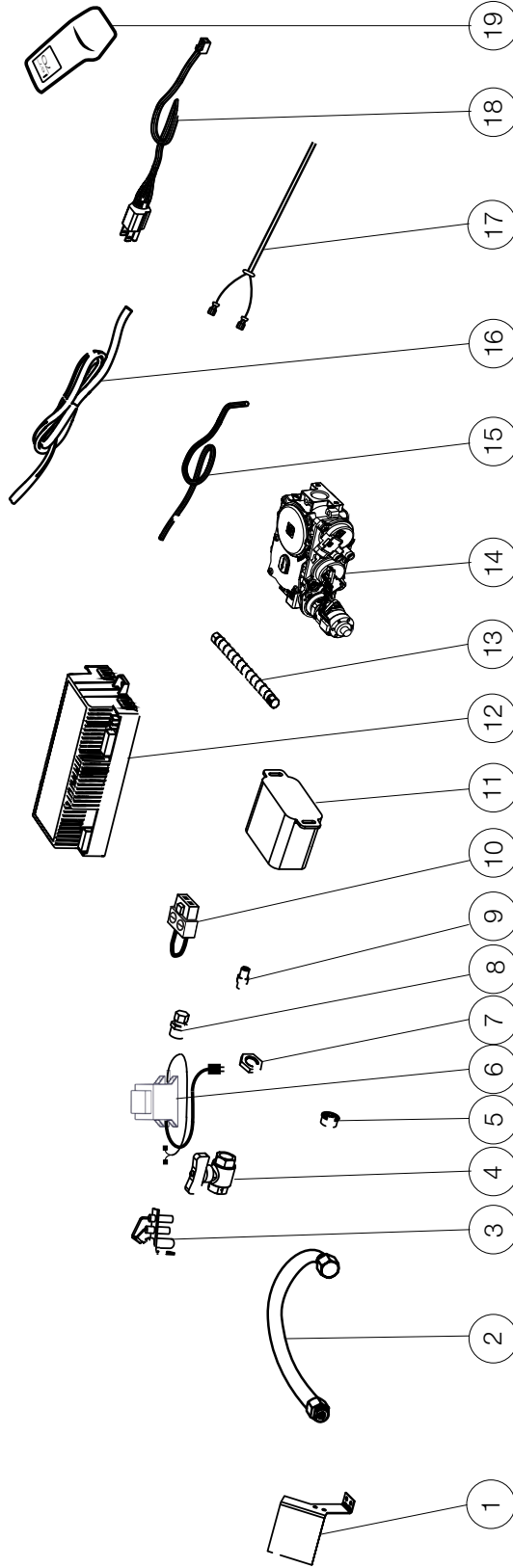


Ces articles peuvent différer de celles illustrées.

No. de Réf.	No. de Pièce	Description	En Stock
1	W135-0254	Bûche arrière (GL-651)	Oui
2	W135-0249	Bûche gauche (GL-651)	Oui
3	W135-0250	Bûche droite (GL-651)	Oui
4	GL-651	Ensemble des bûches	Oui
5	W385-2010	Logo Napoléon	Oui
6	W135-0580	Façade en fonte	Oui
7	W010-3295	Écran de protection	Oui
8	W010-1379	Assemblage de la porte	Oui
9	W010-4177	Assemblage du couvre de contrôle	Oui
10	W350-0655	Boîtier de piles	Oui

No. de Réf.	No. Pièce	Description	En Stock
11	W430-0013	Loquet de porte aimanté	
12	W080-1786	Support de l'aimant	
13	W655-0239	Support de bûches arrière	Oui
14	W660-0009	Commutateur « ON / OFF »	Oui
15	W135-0257	Dessus en fonte	Oui
16	W010-3685	Loquet de porte droite	
17	W010-3686	Loquet de porte gauche	
18	W010-2020	Assemblage de la lumière	
19	W135-0232	Côté en fonte (X2)	Oui

## 10.2 l'assemblage de la soupape



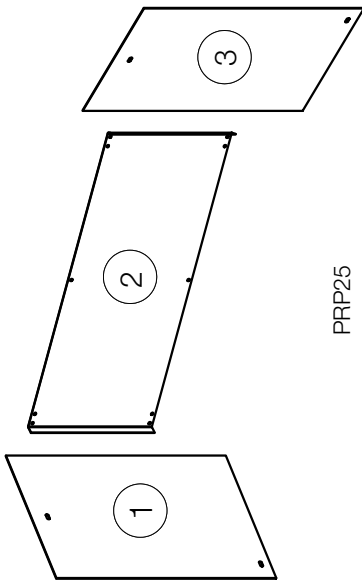
Ces articles peuvent différer de celles illustrées.

No. de Réf.	No. de Pièce	Description	En Stock
1	W080-1299	Support de veilleuse	
2	W432-0078	Collecteur 3/8"	Oui
3	W010-3968	Assemblage de veilleuse (GN)	Oui
4	W010-3969	Assemblage de veilleuse (P)	Oui
4	W725-0046	Soupape de gaz	
5	W105-0001	Bague 7/8"	
6	W707-0019	Transformateur	Oui
7	W450-0036	Écrous	Oui
8	W445-0038	Connecteur 3/8"	Oui
9	W456-0043	Injecteur de veilleuse #43 (GN) (basse altitude)	Oui
9	W456-0054	Injecteur de veilleuse #54 (P) (basse altitude)	Oui
9	W456-0044	Injecteur de veilleuse #44 (GN) (haute altitude)	Oui
9	W456-0055	Injecteur de veilleuse #55 (P) (haute altitude)	Oui

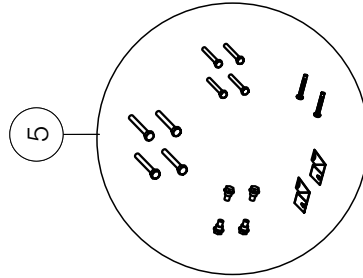
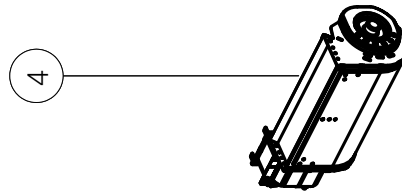
No. de Réf.	No. de Pièce	Description	En Stock
10	W175-0355	Connecteur maché / arrêt femelle (x4)	Oui
11	W350-0655	Boîtier de piles	Oui
12	W190-0105	Panneau de contrôle	Oui
13	W175-0227	Connecteur flexible	Oui
14	W725-0056	Soupape (GN)	Oui
15	W725-0057	Soupape (P)	Oui
15	W750-0276	Harnais de fils Pro 2	Oui
16	W750-0268	Harnais de fils du boîtier de piles	Oui
17	W750-0412	Harnais de fils de soufflerie / lumière	
18	W750-0411	Cordon d'alimentation	
19	W660-0126-SER	Télécommande Pro 2	Oui



# 11.0 accessoires



PRP25



GDSLL-KT

Une médallion en pierre peut être coupée afin d'améliorer la dessus en fonte et pour correspondre au décor de la chambre. Un modèle est disponible pour être téléchargé sur le site du produit. Cela permet de découper la dalle afin qu'elle s'adapte dans le renforcement de la fonte.

Ces articles peuvent différer de celles illustrées.

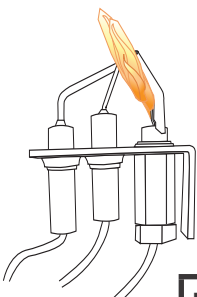
No. de Réf.	No. de Pièce	Description	En Stock
1	W090-0135	(CG) Panneau de porcelaine (PRP25)	
2	W090-0133	(Arrière) Panneau de porcelaine (PRP25)	
3	W090-0134	(CD) Panneau de porcelaine (PRP25)	
4	GSE25KT	Soufflerie	
5	GDSLL-KT	Trousse pour mise de niveau/fixation de l'appareil	

# 12.0 guide de depannage

FR

## AVERTISSEMENT

- Allumez toujours la veilleuse, que ce soit pour la première fois ou lorsque l’approvisionnement en gaz est épuisé, avec la porte vitrée ouverte ou retirée.
- Coupez l’alimentation en gaz et l’alimentation électrique avant de procéder à l’entretien de l’appareil.
- L’appareil peut être chaud. N’effectuez aucun entretien jusqu’à ce que l’appareil soit refroidi.
- N’utilisez pas de nettoyeurs abrasifs

symptôme	problème	solution															
La flamme du brûleur principal est bleue, paresseuse et transparente (Ce n’est pas applicable dans les appareils d’extérieur)	Système d’évacuation bloqué.  Installation incorrecte.	- Enlevez ce qui obstrue. Dans des conditions de froid extrême, une accumulation de glace peut se former sur la terminaison et devrait être enlevée lorsque nécessaire. (Pour minimiser les chances que cela survienne de nouveau, il est recommandé que les événements qui passent à travers des espaces non chauffés [greniers, garages, espaces réduits] soient recouverts d’un manchon isolant en mylar).  - Voir la section « évacuation » pour vérifier le bon emplacement des collets de solin.															
Les flammes sont régulièrement trop grandes ou trop petites. Il se produit des dépôts de carbone.	La pression du gaz est trop faible ou trop forte  	- <b>Vérifiez la pression:</b> Pour vérifier la pression d’arrivée, tournez 2 ou 3 fois la vis (A) vers la gauche, puis emboîtez le tube du manomètre sur la pointe d’essai. Le manomètre doit indiquer la pression comme décrit sur le diagramme ci-dessous. Assurez-vous que le brûleur principal fonctionne à « HI ». La pression de sortie peut être vérifiée de la même façon en utilisant la vis (B). Le manomètre doit indiquer la pression comme décrit sur le diagramme ci-dessous. Assurez-vous que le brûleur principal fonctionne à « HI ». <b>Après avoir pris la lecture des pressions, assurez-vous de tourner fermement les vis vers la droite pour sceller. NE SERREZ PAS TROP FORT.</b> Vérifiez pour des fuites en appliquant une solution d’eau savonneuse.															
		<table border="1"> <thead> <tr> <th>Pression</th> <th>Gaz Naturel (pouces)</th> <th>Gaz Naturel (millibars)</th> <th>Propane (pouces)</th> <th>Propane (millibars)</th> </tr> </thead> <tbody> <tr> <td>Arrivée</td> <td>*7" (minimum 4,5")</td> <td>17,4mb (minimum 11,2mb)</td> <td>13" (minimum 11")</td> <td>32,4mb (minimum 27,4mb)</td> </tr> <tr> <td>Sortie</td> <td>3,5"</td> <td>8,7mb</td> <td>10"</td> <td>24,9mb</td> </tr> </tbody> </table> <p><b>*Pression d’alimentation maximale ne doivent pas dépasser 13"</b></p>	Pression	Gaz Naturel (pouces)	Gaz Naturel (millibars)	Propane (pouces)	Propane (millibars)	Arrivée	*7" (minimum 4,5")	17,4mb (minimum 11,2mb)	13" (minimum 11")	32,4mb (minimum 27,4mb)	Sortie	3,5"	8,7mb	10"	24,9mb
Pression	Gaz Naturel (pouces)	Gaz Naturel (millibars)	Propane (pouces)	Propane (millibars)													
Arrivée	*7" (minimum 4,5")	17,4mb (minimum 11,2mb)	13" (minimum 11")	32,4mb (minimum 27,4mb)													
Sortie	3,5"	8,7mb	10"	24,9mb													
	Le volet d’air est réglé incorrectement.	- Voir la section « réglage du venturi » pour le réglage de l’ouverture du volet d’air dans le manuel d’installation.															
Du carbone se dépose sur la vitre, les bûches, les roches, les composants décoratifs ou les parois de la chambre de combustion.	Le volet d’air est bloqué.  Le flamme effleure la vitre, les bûches, les roches, les composants décoratifs ou les parois de la chambre de combustion.	- Assurez-vous que l’ouverture du volet d’air n’est pas bloquée par des fibres ou autres obstructions.  - Vérifiez si les composants décoratifs sont positionnés correctement. - Augmentez l’ouverture du volet d’air pour augmenter le volume d’air primaire. - Vérifiez le débit d’alimentation: vérifiez que la pression du collecteur et la grandeur de l’injecteur soient telles que spécifiées sur la plaque d’homologation. - Vérifiez si les joints d’étanchéité de la porte ne sont pas brisés ni manquants et qu’ils sont étanches. - Vérifiez que les deux conduits d’évent ne soient pas troués et qu’ils soient bien scellés à tous les joints. - Vérifiez si l’élévation minimale par pied (mètre) est conforme pour toute évacuation horizontale.															
Une pellicule blanche ou grise se forme.	Le souffre du combustible se dépose sur la vitre, les bûches ou les parois de la chambre de combustion.	- Nettoyez la vitre avec un nettoyeur recommandé. <b>NETTOYER PAS LORSQU’ELLE EST CHAUDE.</b> - Si vous nettoyez pas les dépôts régulièrement, la vitre risque de rester marquée en permanence.															
On détecte l’odeur des gaz de combustion dans la pièce, maux de tête.	L’appareil refoule les gaz de combustion dans la pièce. (Ce n’est pas applicable dans les appareils d’extérieur).	- Vérifiez tous les joints scellés de la porte. - Vérifiez si la cheminée ne serait pas bloquée. - Vérifiez que les conduits d’évents sont installés correctement. - La pièce est sous pression négative; augmentez l’apport d’air frais.															

symptôme	problème	solution
La veilleuse ne s'allume pas. Il y a du bruit mais aucune étincelle au brûleur de la veilleuse.	Câblage: pénurie, connexion desserrée (rectification de la flamme pauvres).	<ul style="list-style-type: none"> <li>- Vérifiez qu'il n'y a pas de connexions desserrées du thermocouple ni sonde de flamme.</li> <li>- Vérifiez l'interrupteur de bloc n'est pas endommagée ou trop serré. Vérifiez si les connexions de l'assemblage de la veilleuse sont serrées; vérifiez aussi si ces connexions ne causent pas de mise à la terre au niveau du métal. (Souvenez-vous que la flamme transporte le courant redresseur et non le gaz. Si la flamme se détache de la hotte, le circuit est rompu. Un mauvais injecteur ou une pression d'arrivée trop élevée peut causer la flamme de la veilleuse à se détacher)*. La tige de la sonde a possiblement besoin d'être nettoyée.</li> </ul>
	Aucun signal du télécommande avec ignition du veilleuse.	<ul style="list-style-type: none"> <li>- Reprogrammer le code du récepteur.</li> <li>- Remplacer le récepteur.</li> </ul>
	Connexion desserrée.	<ul style="list-style-type: none"> <li>- Vérifiez qu'il n'y ait pas de connexions desserrées de courts-circuits dans le filage du soupape ni de l'assemblage de la veilleuse.</li> </ul>
	Filage d'interrupteur inapproprié.	<ul style="list-style-type: none"> <li>- Réparez le système avec un simple interrupteur <b>marche/arrêt</b>.</li> </ul>
	Composants de veilleuse sale, peint ou endommagée.	<ul style="list-style-type: none"> <li>- Nettoyez la tige de la sonde avec une toile d'émeri (Scotch-Brite™) afin d'enlever toute contamination qui ait pu s'accumuler sur la tige de la sonde. Vérifiez la continuité avec un multimètre réglé sur Ohms au calibre le plus bas.</li> </ul>
Étincelle à la veilleuse mais celle-ci ne s'allume pas.	Alimentation en gaz.	<ul style="list-style-type: none"> <li>- Vérifiez si la soupape à bille du conduite d'arrivée du gaz est « ouverte ».</li> <li>- Vérifiez si la pression d'arrivée est dans les limites acceptables. La pression d'arrivée ne doit pas excéder 13" de colonne d'eau (32,4mb).</li> </ul>
	Plus de propane.	<ul style="list-style-type: none"> <li>- Remplissez le réservoir.</li> </ul>
	La ligne d'alimentation de la veilleuse peut contenir l'air.	<ul style="list-style-type: none"> <li>- Répétez le processus d'étincelles plusieurs fois ou purger la conduite d'alimentation de la veilleuse.</li> </ul>
	Le module n'est pas mis à la terre.	<ul style="list-style-type: none"> <li>- Assurez le bon polarité du thermocouple (si fourni).</li> <li>- Vérifiez si les assemblages de la veilleuse et de la soupape sont bien mis à la terre.</li> </ul>
	Récepteur (si équipé).	<ul style="list-style-type: none"> <li>- Réinitialisez la programme: tenir le bouton de réinitialiser sur le récepteur attendre pour 2 bips. Relâcher le bouton après la deuxième bip. Pendant 20 secondes, appuyez sur le bouton de la télécommande accompagné d'une petite flamme, vous entendrez une bip additionnelle (cela confirmant que le code est réglé).</li> <li>- Remplacez le récepteur.</li> </ul>
	Soupape.	<ul style="list-style-type: none"> <li>- Vérifiez le soupape et remplacer si nécessaire (attention à ne pas trop serrer le thermocouple).</li> </ul>
Continue de produire des étincelles et la veilleuse s'allume mais le brûleur principal ne s'allume pas.	Court-circuit ou connexion desserrée dans la tige de la sonde.	<ul style="list-style-type: none"> <li>- Vérifiez toutes connexions. Vérifiez si les connexions de l'assemblage de la veilleuse sont serrées; vérifiez aussi si ces connexions ne causent pas de mise à la terre au niveau du métal.</li> </ul>
	Composants de veilleuse sale, peint ou endommagée.	<ul style="list-style-type: none"> <li>- Nettoyez la tige de la sonde avec une toile d'émeri (Scotch-Brite™) afin d'enlever toute contamination qui ait pu s'accumuler sur la tige de la sonde. Vérifiez la continuité avec un multimètre réglé sur Ohms au calibre le plus bas.</li> </ul>
Interrupteur mural est en position « off »; la brûleur s'allume.	L'interrupteur mural est monté à l'envers.	<ul style="list-style-type: none"> <li>- Inverse.</li> </ul>
	Interrupteur mural et/ou le fil est relié à la terre.	<ul style="list-style-type: none"> <li>- Remplacer.</li> <li>- Vérifier la masse (court); réparer ou remplacer les fils.</li> </ul>
	Câble défectueux.	<ul style="list-style-type: none"> <li>- Remplacer.</li> </ul>
Le télécommande ne fonctionne pas correctement.	La télécommande s'allume mais aucune étincelle ou flamme. (La télécommande est verrouillé).	<ul style="list-style-type: none"> <li>- Réinitialiser en tournant l'alimentation « off » puis « on ».</li> </ul> <div style="border: 1px solid black; padding: 5px; margin-top: 10px;"> <p><b>note:</b> Si les piles de sauvegarde sont installés, ils doivent être enlevés pour programmer le télécommande.</p> </div>

# guide de dépannage

FR

Les piles du récepteur ou télécommande sont faibles. - Remplacez les piles.

Erreur de synchronisation. - Réinitialiser le télécommande et le récepteur.

Le télécommande est trop loin du récepteur. - Voir la section « schéma de câblage ».

Les broches de connecteur de fils sont courbées. - Redresser les fils.

Câblage de la soupape est endommagée - Remplacez la soupape.

symptôme	problème	solution
Moteur tourne, les bips fréquent se produit.	Les piles du récepteur sont faibles.	- Remplacez les piles.
Lumières ou la soufflerie ne fonctionnent pas (si équipé).	L'interrupteur de contrôle est à la mauvaise position.	- Vérifiez que l'interrupteur « on/off » est en position « I », ce qui indique le fonctionnement.
	L'interrupteur « COM » est débranché.	- Vérifiez que l'interrupteur « COM » est branché à l'avant du module de contrôle.
Les flammes sont très actives.	La porte est ouvert.	- Assurez-vous que la porte est bien fermée.
	Forte action de ventilation.	- Assurez-vous que l'évacuation est adéquatement scellée ou étranglez la sortie de l'évacuation avec la plaque de restriction. (La plaque de restriction n'est pas disponible pour toutes modèles).
L'appareil n'effectue aucune fonction.	Pas de puissance au système.	- Vérifiez que le disjoncteur est dans la position « <b>on</b> » position.
	L'interrupteur du récepteur est à la mauvaise position (si équipé).	- Vérifiez que le récepteur est dans la position « milieu ».
	La télécommande ne fonctionne pas.	- Vérifiez les pile ainsi que leur orientation.

symptôme	problème	solution
<p>Le guide suivant est pour le système de SIT seulement:</p> <p>La veilleuse ne s'allume pas. Aucun bruit et aucune étincelle au brûleur de la veilleuse. (Les lumières et la soufflerie fonctionnent, si équipé).</p>	<p>La boîte d'allumage a été verrouillée.</p>	<p>Choisissez l'une des quatre méthodes suivantes pour réinitialiser le système:</p> <ol style="list-style-type: none"> <li>1. Pour réinitialiser la boîte d'allumage lorsqu'elle a été verrouillée, coupez l'alimentation électrique et retirez les piles (s'il y a lieu) du récepteur.</li> <li>2. Pour réinitialiser le tableau DFC lorsque celui-ci se trouve en mode verrouillé et que la DEL se clignote trois fois à l'aide du bouton <b>marche/arrêt</b> de l'émetteur:           <p><b>Étape 1:</b> Éteignez le système en appuyant sur le bouton <b>marche/arrêt</b>.</p> <p><b>Étape 2:</b> Après environ 2 secondes, appuyez de nouveau sur le bouton <b>marche/arrêt</b> de la télécommande. Le tableau se réinitialisera et la séquence d'allumage s'enclenchera de nouveau.</p> </li> <li>3. Pour réinitialiser le tableau lorsque celui-ci se trouve en mode verrouillé et que la DEL clignote trois fois à l'aide du cycle de flamme:           <p><b>Étape 1:</b> En mode de contrôle manuel de la flamme, utilisez la flèche vers le bas pour éteindre la flamme, une situation indiquée par le mot « <b>off</b> » affiché à l'écran de la télécommande.</p> <p><b>Étape 2:</b> Attendez environ 2 secondes et appuyez sur la flèche vers le haut; la séquence d'allumage se déclenchera.</p> </li> </ol>

#### note:

En position « **off** », appuyez sur le bouton « **on** » de la télécommande. Environ 4 secondes après que le bouton « **on/off** » ait été enfoncé, le tableau d'allumage commencera à produire des étincelles. Au premier essai, le tableau d'allumage formera des étincelles pendant 60 secondes. S'il n'y a pas de correction de flamme, le tableau cessera de former des étincelles pendant environ 35 secondes. Après le temps d'attente, le tableau démarrera le deuxième essai d'allumage en produisant des étincelles pendant environ 60 secondes. S'il n'y a toujours pas d'allumage, le tableau se verrouillera.

## 13.0 garantie

FR

Les produits **Napoléon** sont fabriqués conformément aux normes strictes du Système de Gestion de la Qualité mondialement reconnu ISO 9001 : 2015.

Les produits **Napoléon** sont conçus avec des composants et des matériaux de qualité supérieure, assemblés par des artisans qualifiés qui sont fiers de leur travail. Le brûleur et le montage de la soupape subissent un test de détection de fuite et d'allumage à une station de test de qualité. Une fois assemblé, chaque appareil est soigneusement inspecté par un technicien qualifié avant d'être emballé pour garantie que vous, le client, recevez le produit de qualité dont vous vous attendez de

**Napoléon.**

### Garantie à Vie Limité du Président des Appareils au Gaz Napoléon

Les matériaux suivants et la fabrication de votre nouveau appareil au gaz **Napoléon** sont garantis contre les défauts tant que vous en êtes le propriétaire. Ceci couvre: la chambre de combustion, l'échangeur de chaleur, le brûleur en acier / inoxydable, les bûches Phazer™ et les braises, les roches, la vitre en céramique (cassure thermique seulement), les pièces plaquées ou contre le ternissement, les composants en porcelaine émaillée et les mouleurs d'extrusion en aluminium.\*

Les composants électriques (110V et millivolt) et les pièces soumises à l'usure sont couverts et **Napoléon** fournira gratuitement les pièces de rechange durant la première année de la garantie limitée. Ceci couvre: la soufflerie, les soupapes de gaz, l'interrupteur thermique, les interrupteurs, l'installation électrique, les télécommandes, l'allumeur, les joints d'étanchéité et l'assemblage de la veilleuse.\*

Les coûts de main-d'oeuvre relatifs aux réparations garanties sont couverts gratuitement durant la première année. (Les coûts de main-d'oeuvre n'est pas disponible pour l'ensemble de bûches à gaz). Cependant, les travaux de réparation nécessitent l'approbation préalable d'un représentant autorisé de la compagnie. Les coûts de main-d'oeuvre à la charge de **Napoléon** sont basés sur un programme de tarifs prédéterminé et tout travail de réparation doit être accompli par l'entremise d'un représentant autorisé **Napoléon**.

\* La fabrication de chaque modèle varie. La garantie s'applique uniquement aux composants disponibles avec votre appareil.

### Conditions et Limitations

**Napoléon** garantit ses produits contre les défauts de fabrication à l'acheteur d'origine seulement. L'enregistrement de la garantie n'est pas nécessaire. Fournissez simplement une preuve d'achat ainsi que la modèle et le numéro de série afin d'effectuer une réclamation de garantie.

**Napoléon** se réserve le droit de demander à son représentant d'inspecter tous produits ou pièces avant d'honorer toute réclamation. L'achat doit avoir été fait par l'entremise d'un détaillant **Napoléon** autorisé et sous réserve des conditions et limitations suivantes:

La couverture de la garantie débute à partir de la date d'installation originale. Cette garantie du fabricant n'est pas transférable et ne peut être prolongée par aucun de nos représentants. L'appareil au gaz doit être installé par un installateur autorisé qualifié, une agence de service ou fournisseur. L'installation doit être faite conformément aux instructions d'installation incluses avec le produit et à tous les codes d'incendie et de construction locaux et nationaux. Cette garantie limitée ne couvre pas les dommages causés par un mauvais usage, un manque d'entretien, un accident, des altérations, des abus ou de la négligence et l'installation de pièces d'autres fabricants annulera cette garantie. Cette garantie limitée ne couvre pas non plus les égratignures, les bossellements, la corrosion ou la décoloration causés par une chaleur excessive, des produits d'entretien chimiques et abrasifs ou l'écaillage des pièces en porcelaine émaillée, le bris par manipulation des bûches PHAZER™ et des braises.

Cette garantie s'étend à la réparation ou au remplacement des pièces garanties dont les matériaux ou la fabrication sont défectueuses à la condition que le produit ait été utilisé conformément aux instructions de fonctionnement et dans des conditions normales. Après la première année, concernant cette Garantie à Vie Limitée du Président, **Napoléon** peut, à sa discrétion, se libérer entièrement de toutes obligations en ce qui concerne cette garantie en remboursant à l'acheteur d'origine le prix de gros de toute pièce garantie qui est défectueuse.

**Napoléon** ne sera pas responsable de l'installation, de la main-d'oeuvre ou autres dépenses relatives à la réinstallation d'une pièce garantie et de telles dépenses ne sont pas couvertes par cette garantie.

Nonobstant toutes les dispositions contenues dans cette Garantie à Vie Limitée du Président, la responsabilité de **Napoléon** sous cette garantie est définie comme ci-dessus et elle ne s'appliquera à aucun dommage accidentel, consécutif ou indirect. Cette garantie définit l'obligation et la responsabilité de **Napoléon** en ce qui concerne l'appareil au gaz **Napoléon** et toute autre garantie énoncée ou implicite en ce qui concerne ce produit, ses composants ou accessoires est exclue.

**Napoléon** n'endosse ni n'autorise aucun tiers à assumer en son nom, toute autre responsabilité concernant la vente de ce produit.

**Napoléon** ne sera pas responsable d'une surchauffe, des refoulements, des déversements causés par des conditions environnementales telles que des toits, des bâtiments, la proximité d'arbres, de collines, de montagnes, une ventilation ou des événements inadéquats, une configuration d'évacuation excessive, un apport d'air insuffisant ou des pressions négatives qui peuvent ou non être causés par des systèmes mécaniques tels que les ventilateurs d'évacuation, les fournaies, les sècheuses de linge, etc. Tout dommage causé à l'appareil, à la chambre de combustion, à l'échangeur de chaleur, aux garnitures plaquées ou autres composants par l'eau, les dommages causés par les intempéries, de longues périodes d'humidité, la condensation, des produits chimiques ou produits d'entretien nuisibles ne seront pas la responsabilité de **Napoléon**. Toutes les pièces remplacées en vertu de la politique de Garantie à vie limitée du Président ne peuvent faire l'objet que d'une seule réclamation. Durant les dix premières années, **Napoléon** remplacera ou réparera les pièces défectueuses qui sont couvertes par la garantie à vie limitée à sa discrétion gratuitement. Après les dix premières années, **Napoléon** fournira les pièces de rechange à 50% du prix de détail courant. Toutes les pièces remplacées au titre de la garantie seront couvertes pour une période de 90 jours à partir de leur date d'installation. Le fabricant peut exiger que les pièces défectueuses ou les produits soient retournés ou que des photos numériques soient fournies pour valider la réclamation. Les produits retournés doivent être expédiés port payé au fabricant pour une inspection en usine. Si un produit est déclaré défectueux, le fabricant le réparera ou le remplacera. Avant d'expédier votre appareil ou les pièces défectueuses, votre détaillant doit obtenir un numéro d'autorisation. Toute marchandise expédiée à notre usine sans autorisation sera refusée et retournée à l'expéditeur.

Les coûts d'expédition ne sont pas couverts par cette garantie.

Des frais de service supplémentaires peuvent être appliqués si vous cherchez à obtenir des services au titre de la garantie auprès d'un détaillant.

Les indemnités de main-d'oeuvre au titre de la garantie s'appliquent uniquement pour le remplacement d'une pièce garantie.

Les frais de déplacement, de tests de diagnostic, d'expédition et autres frais afférents ne sont pas couverts par cette garantie.

Toutes les spécifications et les conceptions sont sujettes à modifications sans préavis en raison des améliorations constantes apportées au produit. **Napoléon** est une marque de commerce déposée de Wolf Steel Ltée.



# NAPOLÉON CÉLÈBRE PLUS DE 40 ANS D'EXISTENCE CONSACRÉS À LA CONCEPTION DE PRODUITS DE CONFORT



7200, Route Transcanadienne, Montréal, Québec H4T 1A3  
24 Napoleon Road, Barrie, Ontario, Canada L4M 0G8  
214 Bayview Drive, Barrie, Ontario, Canada L4N 4Y8  
103 Miller Drive, Crittenden, Kentucky, USA 41030

Téléphone: 1-866-820-8686  
[napoleonproducts.com](http://napoleonproducts.com)