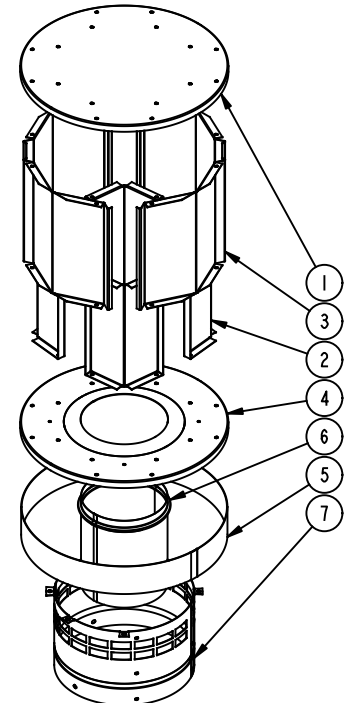
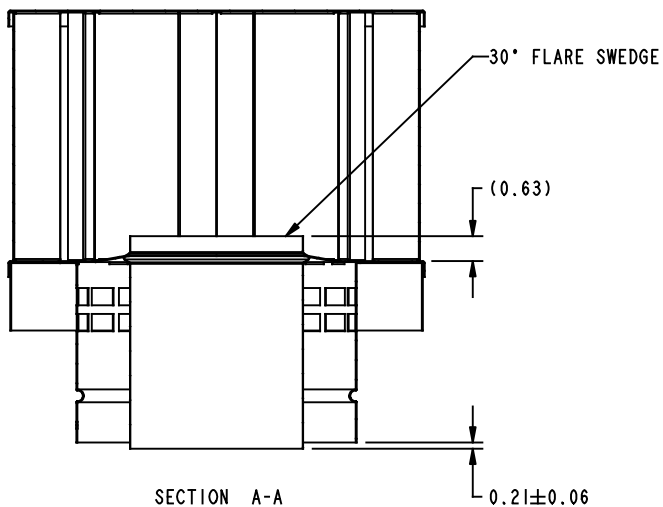
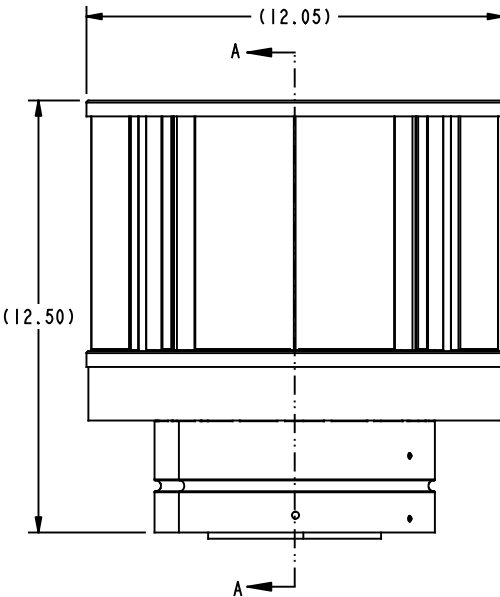
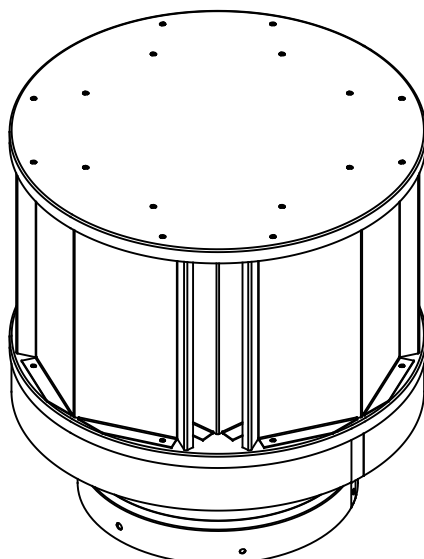
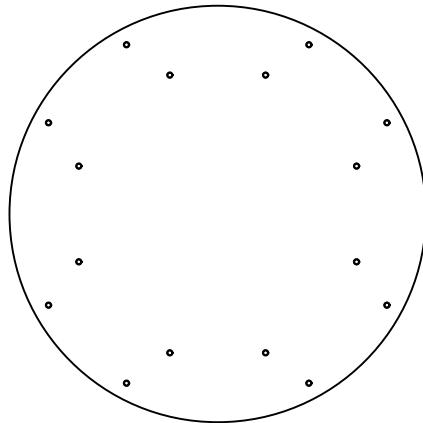


ITEM	PART NUMBER	PART NAME	QTY
1	4071-101	TOP DISH	1
2	4071-102	INSIDE SUPPORT LOUVER LOUVER	4
3	4071-103	OUTSIDE SUPPORT LOUVER LOUVER	4
4	4071-104	DVP BOTTOM DISH	1
5	4071-105	LOWER BAND	1
6	4071-106	INNER FLUE	1
7	4071-107	OUTER COLLAR	1



REV	REVISIONS	ECO #	DATE	BY
B	0.21 ±0.06 WAS (0.18)	71861	02/04/13	DLH
A	RELEASED	65588	10/01/10	DHF

UNLESS OTHERWISE SPECIFIED DIMS ARE INCHES[mm] & TOLERANCES ARE: (2) PLACE DEC :±0.03 (3) PLACE DEC :±0.005 ANGLE : ±2° FRACTION : ±1/16  
 ←←← OUTSIDE MATERIAL. ←←← NORMAL DIM & INSIDE MATERIAL. ←←← OUTSIDE APEX. ←←← INSIDE APEX - DIMS ENCLOSED BY AN OVAL ARE CRITICAL DIMENSIONS

  
**HEARTH & HOME**  
 technologies  
 CONFIDENTIAL PROPERTY OF HEARTH & HOME TECHNOLOGIES INC.

PART NAME: <b>DVP-TVHW ASSEMBLY</b>			
DRAWN BY: DHF	SCALE: 0.180	MATERIAL:	
THIS PRINT IS CHECKED AND CONTROLLED BY THE ENGINEERING DEPARTMENTS OF HEARTH & HOME TECHNOLOGIES INC.		SHEET: 1 of 1	PART NUMBER: <b>4071-000</b>
			REV: <b>B</b>