



DIRECT-VENT INSERTS

Clean-Face Fireplace Insert DVCT35CBN

Spec Sheet



GLASS VIEWING AREA

20 1/4" H x 29 1/2" W

ACTUAL DIMENSIONS

34 3/4" W x 24" H x 18 9/16" D

INCLUDES

- Multi-Function Thermostat Remote
- Light
- Blower
- Fireplace Barrier Screen

REQUIRES

- Log Set - Driftwood or Traditional Charred
- Liner: Black Ceramic Glass, Old World Stone, Rustic Brick
- Surround:
 - Metal, 3-sided, 1-piece
40" W x 29" H x 1" D
 - 44" W x 31" H x 1" D
 - 48" W x 33" H x 1" D
 - 52" W x 36" H x 1" D
 - Metal, Flush 3-Sided, 1-piece
40" W x 29" H
 - 48" W x 33" H

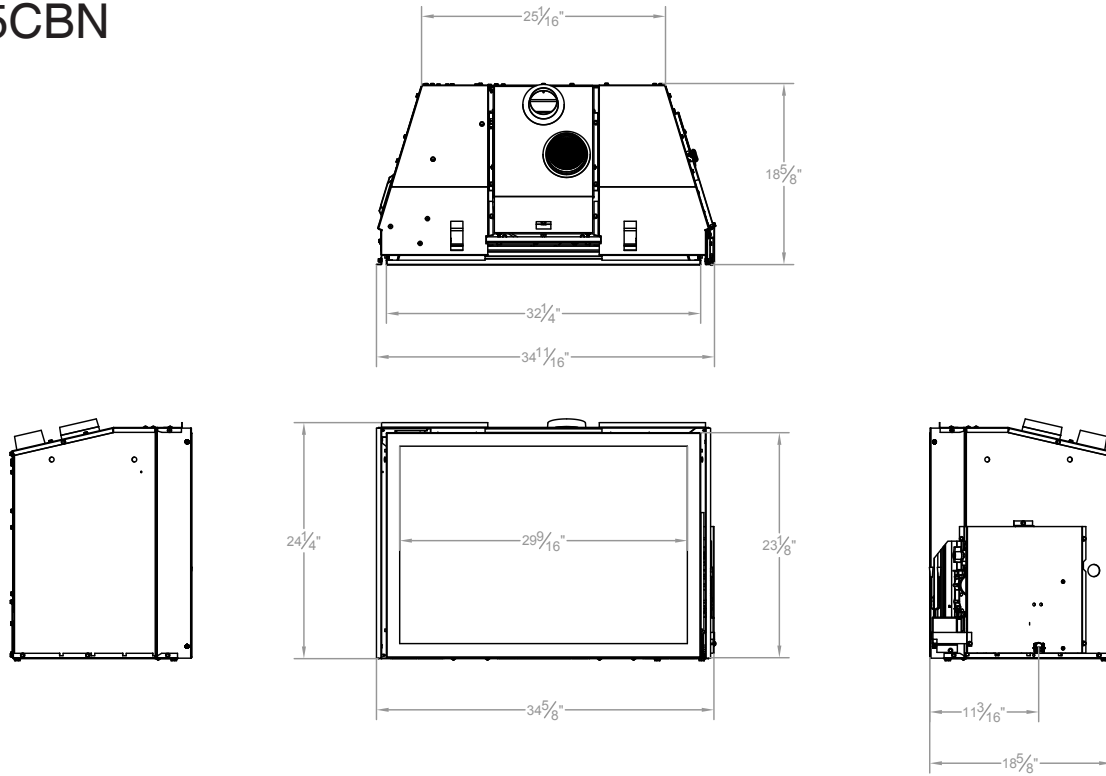
TECHNICAL INFORMATION

- Maximum heat output:
39,000 BTU (Natural),
35,000 BTU (Propane)
- Weight: 124 lbs.
- Type of Gas: Natural or Propane
- Iron Pipe Size: 1/2-inch
- Ignition Systems: Multifunction Remote
- Vent Size: 3 x 4 Flex

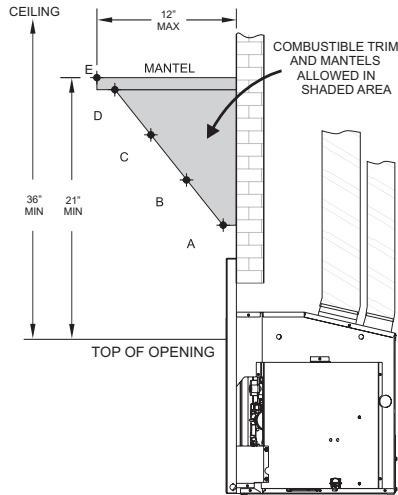
FIELD INSTALLED ACCESSORIES

- Decorative Fronts and Insets:
Forged Iron, Distress Pewter - Arch or Rectangular

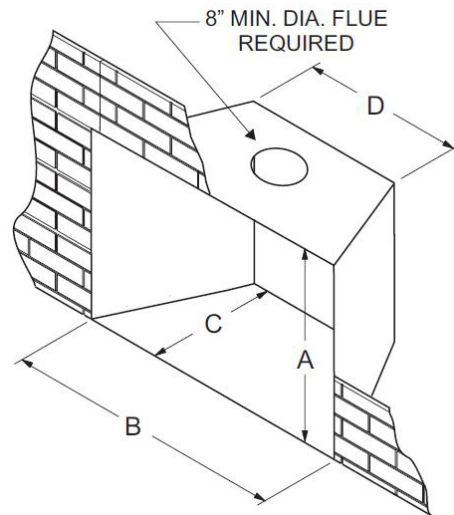
DVCT35CBN



Trim Clearances		
INDEX LETTER	DISTANCE FROM FIREPLACE FACE	DISTANCE FROM TOP OF OPENING
	(Dimensions in inches)	
	Maximum	Minimum
A	1-3/4	12
B	4-1/2	16
C	7-1/4	17
D	9-1/4	20
E	12	21



Minimum Fireplace Opening Dimensions (in inches)	
Height (A)	24 1/2
Front Width (B)	35 1/4
Depth (C)	19
Rear Width (D)	25 3/4



Empire is committed to continuous product improvement; specifications are subject to change without notice. Dimensions in this brochure are approximate; read and follow the framing dimensions in the owners manual supplied with your Empire product. Flame size, shape, and color will vary from photos. Our mantels feature natural veneers and hand-rubbed finishes – wood grain and color will vary. Adjust light levels and use "natural light" incandescent bulbs to enhance the dramatic look for your wooden mantel.

Member of the following industry associations:



This appliance is design-certified to the ANSI standard by:



SINCE 1932

Empire Comfort Systems Inc.
918 Freeburg Ave.

Belleville, IL 62220-2623

info@empirecomfort.com

03/18

The Empire Comfort Systems and White Mountain Hearth names and logos are registered U.S. trademarks.