

DRL4000 SERIES

DIRECT-VENT FIREPLACES

Framing Dimensions Standard Installation - Inches (millimeters)

60" Models	A	B	C	D	E	F
One Sided Framing	75-1/2 (1918)	19-1/2 (496)	54-3/4 (1391)	16 (407)	12 (305)	96 (2439)
See Thru Framing	75-1/2 (1918)	18-1/2 (469)	54-3/4 (1391)	16 (407)	12 (305)	96 (2439)

- SEETHRUKT-LIN60 (Required for See-Thru Installation)
- Two Jack Studs Located on the Front for One Sided Application
- Two Jack Studs Located Back and Front for See-Thru Application.

F. Minimum height from appliance base to ceiling

Framing Dimensions with HeatFlo Kit Installation - Inches (millimeters)

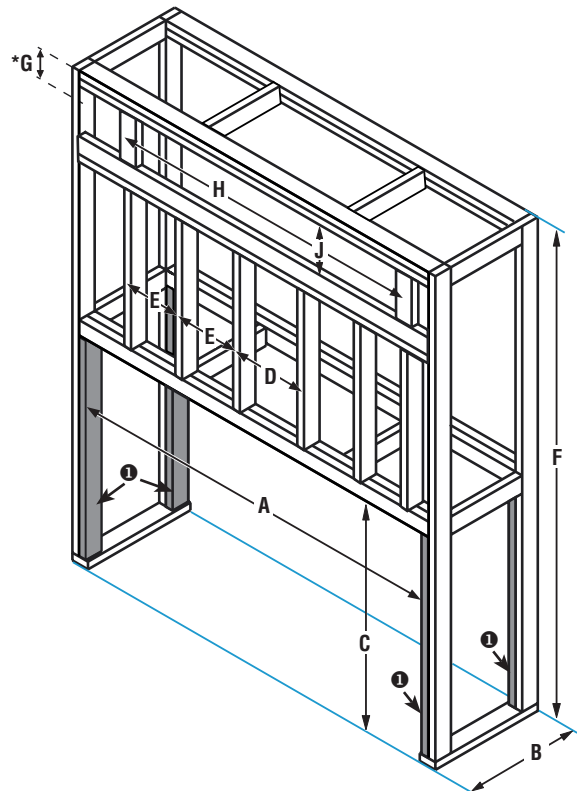
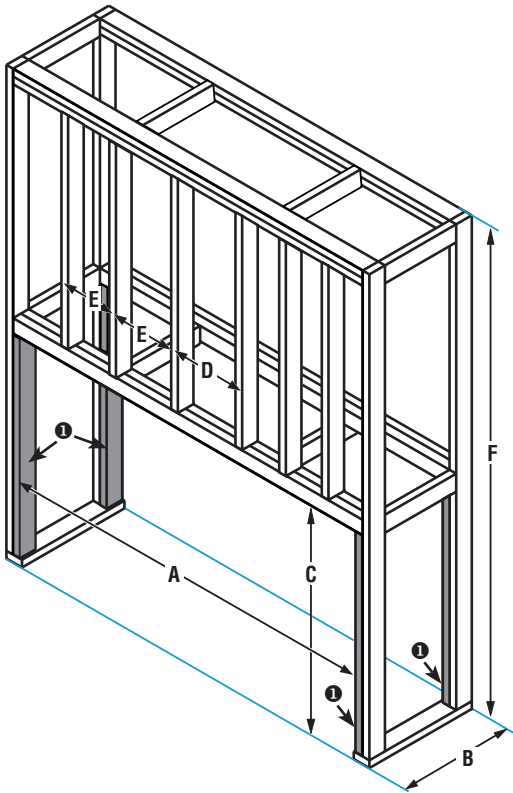
60" Models	A	B	C	D	E	F	*G	H	J
One Sided Framing	75-1/2 (1918)	19-1/2 (496)	54-3/4 (1391)	16 (407)	12 (305)	96 (2439)	6 (153)	64-1/4 (1632)	7-1/2 (191)
See Thru Framing	75-1/2 (1918)	18-1/2 (469)	54-3/4 (1391)	16 (407)	12 (305)	96 (2439)	6 (153)	64-1/4 (1632)	7-1/2 (191)

- HTFLO-LIN60 (Required for TV Installation)
- SEETHRUKT-LIN60 (Required for See-Thru Installation)
- Two Jack Studs Located on the Front for One Sided Application
- Two Jack Studs Located Back and Front for See-Thru Application.

F. Minimum height from appliance base to ceiling

*G. Minimum Distance from Heat Register Vent Opening to Ceiling

Framing Dimensions



TVs should not be used in situations where the actual TV temperature exceeds the manufacturer's technical specification. Contact the TV manufacturer directly if you cannot locate this information or have questions regarding this information.

DRL4000 SERIES

Framing Dimensions with HeatFlo Kit for Recessed Wall Pocket TV Installation One Sided & See-Thru Application - Inches (millimeters)

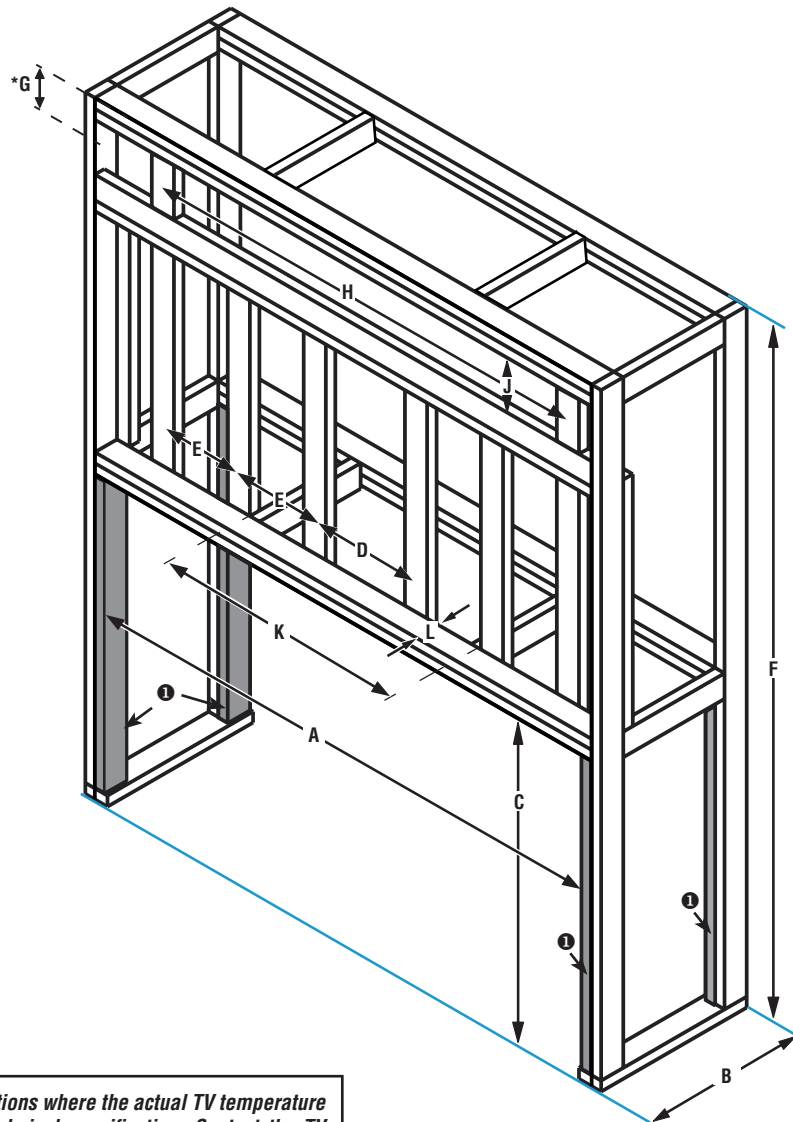
60" Models	A	B	C	D	E	F	*G	H	J	K	L
One Sided Framing	75-1/2 (1918)	19-1/2 (496)	44-3/4 (1137)	16 (407)	12 (305)	96 (2439)	6 (153)	64-1/4 (1632)	7-1/2 (191)	36-1/2 (928)	3-1/2 (89)
See Thru Framing	75-1/2 (1918)	18-1/2 (470)	44-3/4 (1137)	16 (407)	12 (305)	96 (2439)	6 (153)	64-1/4 (1632)	7-1/2 (191)	36-1/2 (928)	3-1/2 (89)

- HTFLO-LIN60 (Required for TV Installation)
- SEETHRUKT-LIN60 (Required for See-Thru Installation)
- Two Jack Studs Located on the Front for One Sided Application
- Two Jack Studs Located Back and Front for See-Thru Application.

F. Minimum height from appliance base to ceiling

*G. Minimum Distance from Heat Register Vent Opening to Ceiling

Framing Dimensions Continued



TVs should not be used in situations where the actual TV temperature exceeds the manufacturer's technical specification. Contact the TV manufacturer directly if you cannot locate this information or have questions regarding this information.

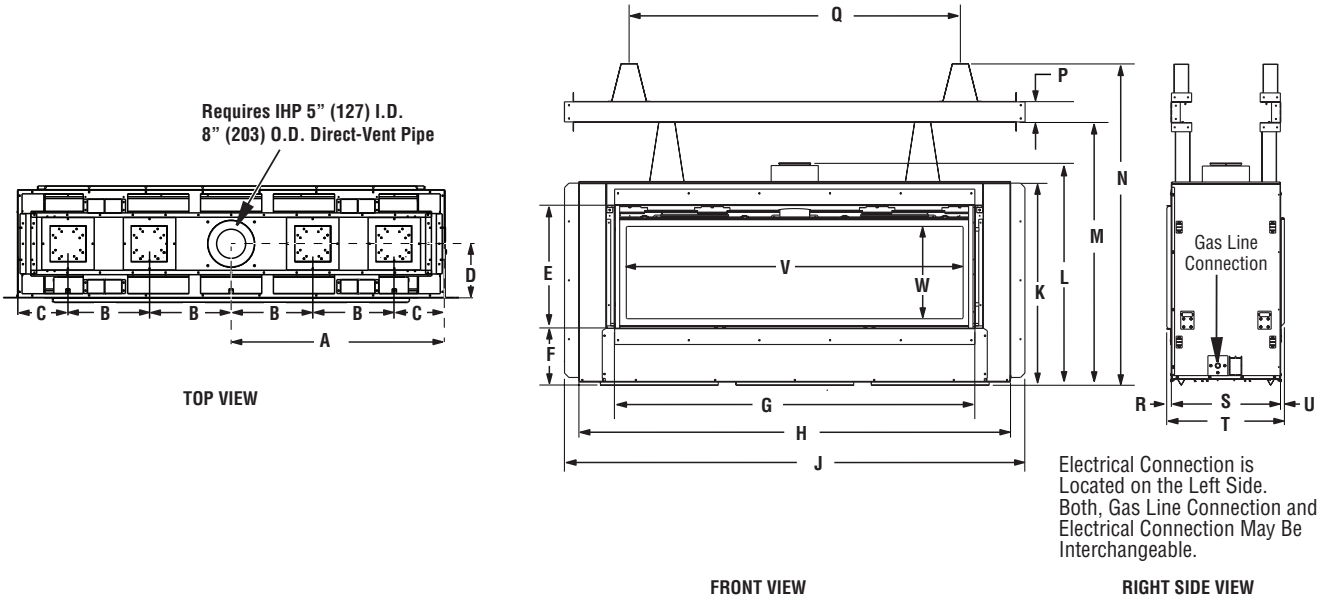
Diagrams, illustrations and photographs are not to scale. Consult installation instructions. Product designs, materials, dimensions, specifications, colors, and prices are subject to change or discontinuance without notice.

DRL4000 SERIES

60" Fireplace Dimensions												
A	B	C	D	E	F	G	H	J	K	L	M	N
36-5/8 (931)	14 (356)	8-5/8 (219)	9-3/8 (239)	20-7/8 (531)	9-3/4 (248)	61-1/4 (1556)	73-1/4 (1861)	78-1/4 (1988)	34-3/8 (874)	37-3/4 (959)	44-5/8 (1134)	54-5/8 (1388)
P	Q	R	S	T	U	V	W					
3-1/2 (89)	43-1/2 (1105)	3/4 (19)	18-1/2 (470)	19-1/4 (489)	5/8 (16)	57-1/8 (1451)	15-1/2 (394)					

Inches (millimeters)

Fireplace Dimensions



Concrete Fireboard Installed

	Description
A	Fireboard, Top (1/2" x 78-3/8" x 15-7/8")
B	Fireboard, Bottom (1/2" x 61-3/8" x 9-1/2")
C	Fireboard, Side (1/2" x 30-1/2" x 8-1/2")

Note: Use 1" Self Drill Bugle Drywall Screws to Install Non-Combustible Fireboard. (Supplied)

